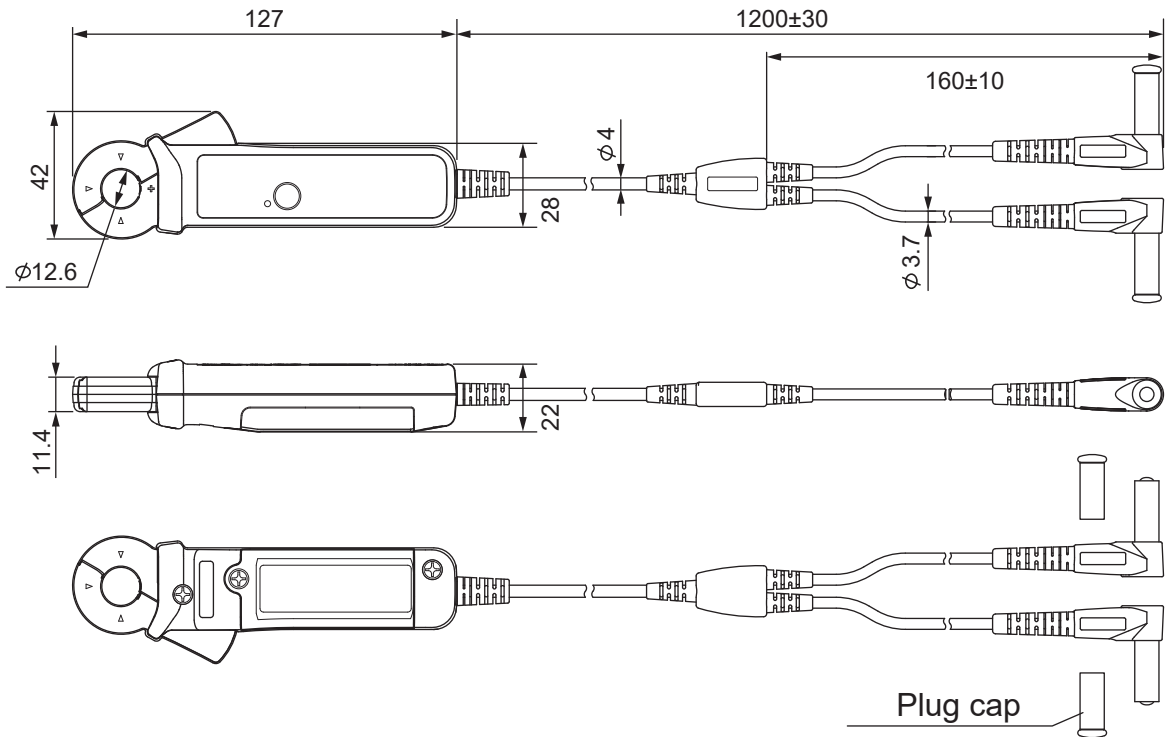


# Drawings

## Model 96095 AC/DC Clamp-on Probe

Unit: mm



Weight: approx. 140 g  
(including batteries)

If not specified, the tolerance is ±3%. However, in cases of less than 10 mm, the tolerance is ±0.3 mm.