

**Sorensen**

**XDL Series II  
DC Power Supply**

**Digital Programmable DC Power Supply  
Operation Manual**

**Models:**

**XDL 35-5  
XDL 35-5P  
XDL 35-5T  
XDL 35-5TP  
XDL 56-4  
XDL 56-4P  
XDL 56-4T  
XDL 56-4TP**

---

## About AMETEK

AMETEK Programmable Power, Inc., a Division of AMETEK, Inc., is a global leader in the design and manufacture of precision, programmable power supplies for R&D, test and measurement, process control, power bus simulation and power conditioning applications across diverse industrial segments. From bench top supplies to rack-mounted industrial power subsystems, AMETEK Programmable Power is the proud manufacturer of Elgar, Sorensen, California Instruments and Power Ten brand power supplies.

AMETEK, Inc. is a leading global manufacturer of electronic instruments and electromechanical devices with annualized sales of \$2.5 billion. The Company has over 11,000 colleagues working at more than 80 manufacturing facilities and more than 80 sales and service centers in the United States and around the world.

## Trademarks

AMETEK is a registered trademark of AMETEK, Inc.

Other trademarks, registered trademarks, and product names are the property of their respective owners and are used herein for identification purposes only.

## Notice of Copyright

*XDL Series II DC Power Supply Operation Manual* ©2012 AMETEK Programmable Power, Inc.  
All rights reserved.

## Exclusion for Documentation

UNLESS SPECIFICALLY AGREED TO IN WRITING, AMETEK PROGRAMMABLE POWER, INC. ("AMETEK"):

- (a) MAKES NO WARRANTY AS TO THE ACCURACY, SUFFICIENCY OR SUITABILITY OF ANY TECHNICAL OR OTHER INFORMATION PROVIDED IN ITS MANUALS OR OTHER DOCUMENTATION.
- (b) ASSUMES NO RESPONSIBILITY OR LIABILITY FOR LOSSES, DAMAGES, COSTS OR EXPENSES, WHETHER SPECIAL, DIRECT, INDIRECT, CONSEQUENTIAL OR INCIDENTAL, WHICH MIGHT ARISE OUT OF THE USE OF SUCH INFORMATION. THE USE OF ANY SUCH INFORMATION WILL BE ENTIRELY AT THE USER'S RISK, AND
- (c) REMINDS YOU THAT IF THIS MANUAL IS IN ANY LANGUAGE OTHER THAN ENGLISH, ALTHOUGH STEPS HAVE BEEN TAKEN TO MAINTAIN THE ACCURACY OF THE TRANSLATION, THE ACCURACY CANNOT BE GUARANTEED. APPROVED AMETEK CONTENT IS CONTAINED WITH THE ENGLISH LANGUAGE VERSION, WHICH IS POSTED AT [WWW.PROGRAMMABLEPOWER.COM](http://WWW.PROGRAMMABLEPOWER.COM)

## Date and Revision

February 2012 Revision A

## Part Number

M370499-01

## Contact Information

Telephone: 800 733 5427 (toll free in North America)  
858 450 0085 (direct)

Fax: 858 458 0267

Email: [sales@programmablepower.com](mailto:sales@programmablepower.com)  
[service@programmablepower.com](mailto:service@programmablepower.com)

Web: [www.programmablepower.com](http://www.programmablepower.com)

---

# Table of Contents

Introduction	4
Specification	6
Safety	9
Installation	10
Connections	11
Initial Operation	13
Manual Operation	16
Remote Operation (P models only)	26
Remote Commands	35
Calibration	40
Maintenance	42
 <b>Instructions en Francais</b>	
Sécurité	43
Installation	44
Connexions	45
Utilisation initiale	47
Fonctionnement manuel	50
Fonctionnement à distance (modèles P uniquement)	62
Commandes à distance	72
Maintenance	77
 <b>Bedienungsanleitung auf Deutsch</b>	
Sicherheit	78
Installation	79
Anschlüsse	80
Erste Inbetriebnahme	82
Manueller Betrieb	85
Fernbedienung (nur P Modelle)	97
Fernsteuerbefehle	107
Wartung	112

---

## **Istruzioni in Italiano**

Sicurezza	113
Installazione	114
Collegamenti	115
Primo utilizzo	117
Funzionamento in manuale	120
Funzionamento remoto (solo modelli P)	132
Comandi remoti	142
Manutenzione	147

## **Instrucciones en Espanol**

Seguridad	148
Instalación	149
Conexiones	150
Funcionamiento inicial	152
Funcionamiento manual	155
Funcionamiento remoto (sólo modelos P)	167
Mandos remotos	177
Mantenimiento	182

Warranty Information	183
----------------------	-----

---

# Introduction

## Unmatched Precision, Unrivalled Performance

The XDL series II provides the highest performance levels available in a laboratory power supply. Voltage and current are controlled using 16 bit DACs enabling voltages to be set to 1mV resolution even at full output. Indeed, the accuracy is sufficient for the PSU to be used as a calibration source for some hand-held DMMs.

The XDL series II uses pure linear technology and offers unrivalled performance in terms of regulation, output noise and dynamics. Line and load regulation are close to the limit of measurement. Output noise is less than 350 $\mu$ V rms in CV mode and down to 20 $\mu$ A rms in CI mode. Recovery time from transient current pulses is better than 50 $\mu$ s.

It provides full remote sense capability via dedicated sense terminals. Remote sense is essential to maintain precise regulation at the load. When remote sense is not required, internal local sensing can be selected at the touch of a button.

## Multiple Ranges for Greater Flexibility

The XDL series II provides multiple ranges for increased current capability at lower voltages. The main range offers 0 to 35 Volts at up to 3 Amps (XDL 35-5) or 0 to 56 Volts at up to 2 Amps (XDL 56-4). The higher current range provides up to 5 Amps for voltages up to 15V (XDL 35-5) or 4 Amps for voltages up to 25V (XDL 56-4). A further low current range provides enhanced current setting and measurement resolution of 0.1mA.

The product of voltage and current can be displayed at any time by pressing the VxA button. The power is displayed to a resolution of 0.01 Watts.

## Fast, Simple and Safe to use

The user interface of the XDL series II has been carefully designed to provide rapid control whilst guarding against any possibility of error.

Voltage and current setting can be performed either by direct numeric entry or, for applications where the voltage or current must be gradually changed, by using the quasi-analogue Jog control.

To enable the current limit to be set before connecting the load, the limit setting is displayed when the output is off. Pressing the View Limits key at any time provides a temporary display of the limit values allowing precise adjustment to also be made with the output on.

## Setting Memories for Added Convenience

The XDL series II provides storage of up to 50 power supply sets-ups in non-volatile memory for each main output, plus (T models only) a further 50 set-ups for linked mode operation, plus 10 set-ups for the auxiliary output. Upon mains switch-off, the set-up of the PSU is saved and is automatically restored at switch-on.

## OVP and OCP Trips with 'Alarm' Output

The XDL series II provides fully adjustable over-voltage and over-current trips which can be used both as a fail-safe against accidental mis-setting and as a protection against inappropriate load conditions. In addition to turning the output off, a trip condition switches the rear panel alarm signal enabling other equipment to be controlled.

For complete protection of the power supply, the trip will also be operated by over-temperature or excess voltage on the sense terminals.

## Auxiliary Output with Fully Variable Voltage (T models)

The XDL series II triple output power supplies incorporate an auxiliary output which is fully variable between 1 volt and 6 volts to a resolution of 0.01V, and has a current capability of 3 amps.

A front panel button enables the voltage and current for the auxiliary output to be viewed on the Output 1 display whenever required.

## Fully Programmable via GPIB, RS232, USB or LAN

The programmable 'P' models incorporate a full bus interface permitting remote control and readback via either GPIB (IEEE-488), RS232, USB or LAN.

The GPIB interface conforms fully with IEEE-488.2 and IEEE-488.1.

The RS232 interface uses a standard 9-pin D-connector and has a Baud rate variable from 600 to 19200.

The USB interface is compatible with USB 2.0 and USB 1.x.

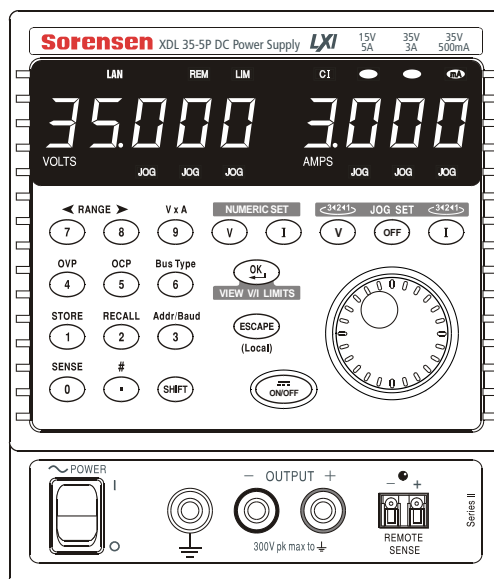
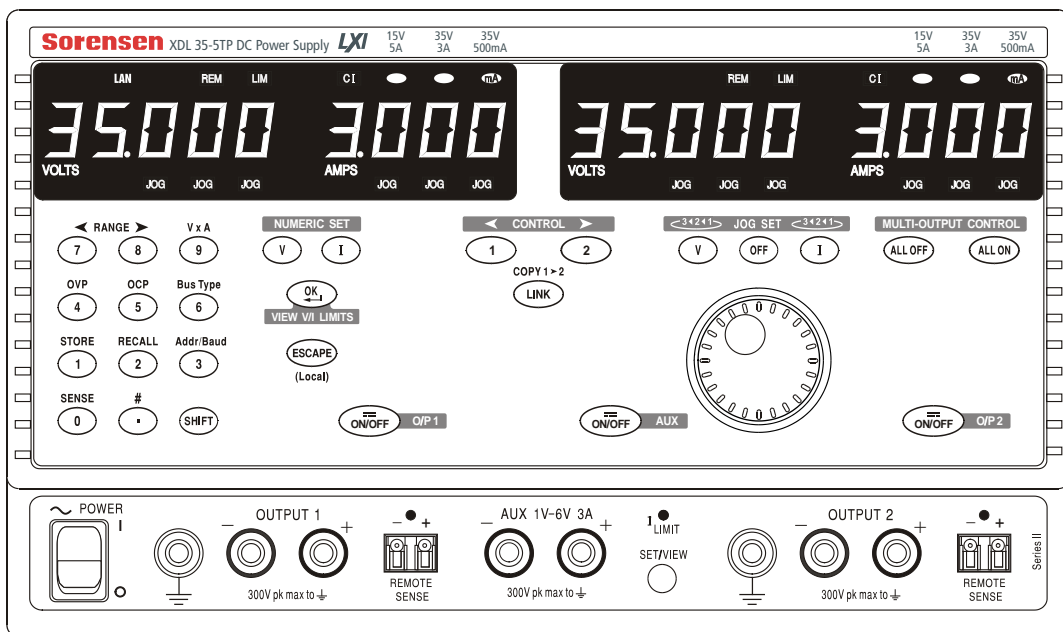
The LAN interface is LXI version 1.2, Class C, compliant.

The XDL series II uses simple and consistent command structures which make programming particularly easy regardless of which interface is used.

An IVI driver for Windows is included. This provides support for common high-level applications such as LabView\*, LabWindows\*, and HP/Agilent VEE\*.

All power supply settings can be controlled via the bus. Voltage and current can be set to a resolution of 1mV or 0.1mA (main outputs). Actual voltage and current can be read back together with the power supply status.

\* LabView LabWindows is a trademark of National Instruments Corp. Agilent VEE is a trademark of Agilent Technologies inc.



# Specification

General specifications apply for the temperature range 5°C to 40°C. Accuracy specifications apply for the temperature range 18°C to 28°C after 1 hour warm-up with no load and calibration at 23°C. Typical specifications are determined by design and are not guaranteed.

## MAIN OUTPUTS

Voltage/Current Ranges:	<b>XDL 35-5</b>	<b>XDL 56-4</b>				
	0V to 35V/0.001A to 3A 0V to 35V/0.1mA to 500mA 0V to 15V/0.001A to 5A	0V to 56V/0.001A to 2A 0V to 56V/0.1mA to 500mA 0V to 25V/0.001A to 4A				
Voltage Setting:	Resolution 1mV Accuracy $\pm (0.03\% + 5mV)$					
Current Setting:	Resolution 1mA; 0.1mA on 500mA range Accuracy $\pm (0.2\% + 5mA)$ ; $\pm (0.2\% + 0.5mA)$ on 500mA range.					
Output Mode:	Constant voltage or constant current with automatic cross-over. CI indicator lit in constant current mode.					
Output Switch:	Electronic, non-isolating. Switch illuminated when Output on. Preset voltage and current limit displayed when Output off.					
Output Terminals:	Universal 4mm safety binding posts on 19mm (0.75") pitch for Output; screwless terminals for Sense. Duplicate rear panel Output and Sense screw terminals on P models.					
Transient Response:	<50 $\mu$ s to within 15mV of set level for a change in load current from full load to half load or vice versa.					
Voltage Programming Speed:	Maximum time required for output to settle within 1% of its total excursion (for resistive load). Excludes command processing time.					
	<b>XDL 35-5</b>	<b>XDL 56-4</b>				
	<i>Full Load</i>	<i>No Load</i>				
<i>Up</i>	15V 5A	6ms	6ms	25V/4A	10ms	6ms
<i>Up</i>	35V 3A	20ms	7ms	56V/2A	40ms	15ms
<i>Up</i>	35V 500mA	200ms	40ms	56V/500mA	300ms	60ms
<i>Down</i>	15V 5A	6ms	250ms	25V/4A	10ms	400ms
<i>Down</i>	35V 3A	25ms	600ms	56V/2A	50ms	800ms
<i>Down</i>	35V 500mA	120ms	600ms	56V/500mA	200ms	800ms
Ripple and Noise (20MHz bandwidth):	Normal mode voltage: <0.35mVrms and 2mVp-p Normal mode current: <0.2mArms; <20 $\mu$ Arms on 500mA range.					
Load Regulation:	For any load change, measured at the output terminals, using remote sense. Voltage <0.01% + 2mV. Current <0.01% + 250 $\mu$ A; <0.01% + 50 $\mu$ A on 500mA range. Add typically 2.5mV for a 0.5V drop in the positive output lead. Specification applies for sense lead resistance <0.5 $\Omega$ .					
Line Regulation:	Voltage <0.01% + 2mV for 10% line change. Current <0.01% + 250 $\mu$ A; <0.01% + 50 $\mu$ A on 500mA range.					
Temperature Coefficient:	Voltage: typically <(50ppm + 0.5mV)/°C Current: typically <(100ppm + 1mA)/°C; typically <(100ppm + 0.1mA)/°C on 500mA range.					

---

Output Protection:	Output will withstand forward voltages of up to 20V above rated output voltage. Reverse protection by diode clamp for currents up to 3A.
Over-voltage Protection: (OVP)	Range 1V to 40V (XDL 35-5), 1V to 60V (XDL 56-4) Resolution 0.1V; accuracy $\pm (2\% + 0.5V)$ Response time typically 100 $\mu$ s
Over-current Protection: (OCP)	Range 0.01A to 5.5A (XDL 35-5), 0.01A to 4.4A (XDL 56-4) Resolution 0.01A; accuracy $\pm (0.2\% + 0.01A)$ Response time typically 35ms
Protection Functions:	Output trips off for OVP, OCP, over-temperature and Sense miswiring

## METER SPECIFICATIONS (Main Outputs)

Display Type:	5-digit (Volts), 4-digit (Amps), 14mm (0.56") LED.
Voltage (CI mode):	Resolution 10mV Accuracy $\pm (0.1\% \text{ of reading} + 10\text{mV})$
Current (CV mode):	Resolution 0.001A; 0.1mA on 500mA range Accuracy $\pm (0.2\% + 0.005A)$ ; $\pm (0.2\% + 0.5\text{mA})$ on 500mA range
V x A:	Resolution 0.01W; 0.001W on 500mA range Accuracy $\pm (0.3\% + 0.05W)$ ; $\pm (0.3\% + 0.005W)$ on 500mA range

## AUXILIARY OUTPUT (T models only)

Voltage Range:	1V to 6V
Voltage Setting:	Resolution: 10mV Accuracy: $\pm 0.5\% \pm 10\text{mV}$
Current Limit:	3A minimum
Output Switch:	Electronic, non-isolating. Switch illuminated when Output on.
Output Terminals:	Universal 4mm safety binding posts on 19mm (0.75") pitch. Duplicate screwless terminals on rear panel.
Output Protection:	Output will withstand up to 16V forward voltage. Diode clamp reverse protection for currents up to 1A. Over-current trip.
Ripple & Noise: (20MHz bandwidth)	<2mV rms, 10mVp-p
Load & Line Regulation:	<1.0% for a 90% load change; 0.1% for a 10% line change.
Status Indication:	Current limit lamp. Current overload trip indication.
Meter Specifications: (use SET/VIEW button)	Voltage Meter: Resolution 10mV, accuracy $\pm 0.5\% \pm 10\text{mV}$ Current Meter: Resolution 10mA, accuracy $\pm 0.5\% \pm 10\text{mA}$
Voltage Programming Speed:	Maximum time required for output to settle within 1% of its total excursion (for resistive load). Excludes command processing time. 1V to 6V: 10ms, no load and full load 6V to 1V: 10ms, no load and full load

## KEYBOARD & ROTARY CONTROL

All functions, including the selection and set-up of the remote control interfaces, can be set from the keyboard. The rotary jog control can be used to adjust output voltage and current settings in a quasi-analogue mode.



---

## ALARM OUTPUT

Isolated rear-panel open-collector output signal. User can select output to be activated for either OVP, OCP, Overtemperature or Sense miswiring, or for any of those four faults.

## DIGITAL INTERFACES (P models only)

Full digital remote control facilities are available through the RS232, USB, LAN and GPIB interfaces.

### General

RS232:	Standard 9-pin D-connector. Variable Baud rate (600 to 19200).
GPIB:	Conforming with IEEE488.1 and IEEE488.2
USB:	Standard USB 2.0 hardware connection. Operates as a virtual COM port.
LAN:	Ethernet 100/10base-T hardware connection. Auto speed detect, auto MDIX. LXI V1.2, Class C compliant.
Remote Command Processing Time:	Typically <25ms between receiving the command terminator for a step voltage change at the instrument and the output voltage beginning to change.
Status Indication:	Remote mode and LAN status indicators

### Main Outputs

Voltage Setting:	16-bit; Resolution 1mV, accuracy $\pm (0.03\% + 5\text{mV})$
Current Setting:	16-bit; Resolution 0.1mA, accuracy $\pm (0.2\% + 5\text{mA})$ Resolution 0.01mA, Accuracy $\pm (0.2\% + 0.5\text{mA})$ on 500mA range.
Readback V & I	See meter specifications.

### Auxiliary Output (T models only)

Voltage Setting:	Resolution 10mV, accuracy $\pm 0.5\% \pm 10\text{mV}$
Current Setting:	Resolution 10mA, accuracy $\pm 0.5\% \pm 10\text{mA}$
Readback V & I	See meter specifications

## GENERAL

AC Input:	230V AC or 115V AC $\pm 10\%$ , 50/60Hz Installation Category II
Power Consumption:	Single output: 250VA max; Triple output: 500VA max.
Operating Range:	+5°C to +40°C, 20% to 80% RH
Storage Range:	-40°C to +70°C
Environmental:	Indoor use at altitudes up to 2000m, Pollution Degree 2.
Cooling:	Intelligent variable-speed fan. Over-temperature trip shuts down output if internal temperatures exceed predetermined thresholds.
Store/Recall:	Up to 50 set-ups each main output, 50 linked set-ups, and 10 auxiliary output settings can be saved and recalled via the keyboard or remote interfaces.
Safety:	Complies with EN61010-1
EMC:	Complies with EN61326
Size:	Single output: 140 x 160 x 290mm (WxHxD), excl. feet & terminals. Triple output: 280 x 160 x 290mm (WxHxD), excl. feet & terminals
Weight:	Single: 5.5kg; Triple: 10.5kg

This power supply is a Safety Class I instrument according to IEC classification and has been designed to meet the requirements of EN61010-1 (Safety Requirements for Electrical Equipment for Measurement, Control and Laboratory Use). It is an Installation Category II instrument intended for operation from a normal single phase supply.

This instrument has been tested in accordance with EN61010-1 and has been supplied in a safe condition. This instruction manual contains some information and warnings which have to be followed by the user to ensure safe operation and to retain the instrument in a safe condition.

This instrument has been designed for indoor use in a Pollution Degree 2 environment in the temperature range 5°C to 40°C, 20% - 80% RH (non-condensing). It may occasionally be subjected to temperatures between +5°C and –10°C without degradation of its safety. Do not operate while condensation is present.

Use of this instrument in a manner not specified by these instructions may impair the safety protection provided. Do not operate the instrument outside its rated supply voltages or environmental range.

## **WARNING! THIS INSTRUMENT MUST BE EARTHED**

Any interruption of the mains earth conductor inside or outside the instrument will make the instrument dangerous. Intentional interruption is prohibited. The protective action must not be negated by the use of an extension cord without a protective conductor.

When the instrument is connected to its supply, terminals may be live and opening the covers or removal of parts (except those to which access can be gained by hand) is likely to expose live parts. The apparatus shall be disconnected from all voltage sources before it is opened for any adjustment, replacement, maintenance or repair.

Capacitors inside the power supply may still be charged even if the power supply has been disconnected from all voltage sources but will be safely discharged about 10 minutes after switching off power.






Any adjustment, maintenance and repair of the opened instrument under voltage shall be avoided as far as possible and, if inevitable, shall be carried out only by a skilled person who is aware of the hazard involved.

If the instrument is clearly defective, has been subject to mechanical damage, excessive moisture or chemical corrosion the safety protection may be impaired and the apparatus should be withdrawn from use and returned for checking and repair.

Make sure that only fuses with the required rated current and of the specified type are used for replacement. The use of makeshift fuses and the short-circuiting of fuse holders is prohibited.

Do not wet the instrument when cleaning it.

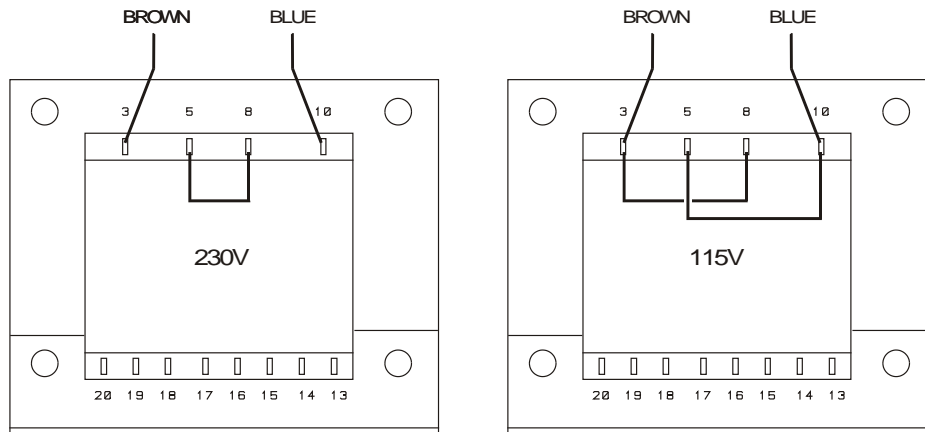
The following symbols are used on the instrument and in this manual:-

	Earth (ground) terminal.
	mains supply OFF.
	mains supply ON.
	alternating current (ac)
	direct current (dc)

# Installation

Check that the instrument operating voltage marked on the rear panel is suitable for the local supply. Should it be necessary to change the operating voltage, proceed as follows:

- 1) Disconnect the instrument from all voltage sources.
- 2) Remove the screws which retain the top cover and lift off the cover.
- 3) Change the connections on both transformers following the appropriate diagram below:



- 4) Refit the cover and the secure with the same screws.
- 5) To comply with safety standard requirements the operating voltage marked on the rear panel must be changed to clearly show the new voltage setting.
- 6) Change all three fuses to ones of the correct rating, see below.

## Fuse

The AC inlet fuse is located in the fuse drawer in the lower part of the IEC inlet connector. To change the fuse remove the line cord and open the fuse drawer with a suitable tool.

### *XDL 35-5, XDL 35-5P, XDL 56-4 & XDL 56-4P*

The correct mains fuse type is 20 x 5mm 250V HBC time-lag with the following rating:

for 230V operation:	1.6A (T) 250V HBC
for 115V operation:	3.15A (T) 250V HBC

### *XDL 35-5T, XDL 35-5TP, XDL 56-4T & XDL 56-4TP*

The correct mains fuse type is 20 x 5mm 250V HBC time-lag with the following rating:

for 230V operation:	4A (T) 250V HBC
for 115V operation:	8A (T) 250V HBC

In addition, the two transformers are individually fused inside the power supply. To access these fuses remove the cover as described above; both fuses are clipped to the small PCB which is fitted directly onto the pins of the IEC inlet connector itself.

The correct fuse type is 20 x 5mm 250V HBC time-lag with the following rating:

for 230V operation:	1.6A (T) 250V HBC
for 115V operation:	3.15A (T) 250V HBC

Make sure that only fuses with the required current rating and of the specified type are used for replacement. The use of makeshift fuses and the short-circuiting of fuseholders are prohibited.

---

## Mains Lead

Connect the instrument to the AC supply using the mains lead provided. Should a mains plug be required for a different mains outlet socket, a suitably rated and approved mains lead set should be used which is fitted with the required wall plug and an IEC60320 C13 connector for the instrument end. To determine the minimum current rating of the lead-set for the intended AC supply, refer to the power rating information on the equipment or in the Specification.

**WARNING! THIS INSTRUMENT MUST BE EARTHED.**

Any interruption of the mains earth conductor inside or outside the instrument will make the instrument dangerous. Intentional interruption is prohibited.

## Mounting

This instrument is suitable both for bench use and rack mounting. It is delivered with feet for bench mounting. The front feet include a tilt mechanism for optimal panel angle.

A rack kit for mounting XDL Series power supplies is available from the Manufacturers or their overseas agents. The rack will accommodate 1, 2 or 3 single units or a triple and single unit; a blanking piece is also available for unused positions in the rack.

## Ventilation

The power supply is cooled by an intelligent multi-speed fan which vents at the rear. Take care not to restrict the air inlets at the side panels or the exit at the rear. In rack-mounted situations allow adequate space around the instrument and/or use a fan tray for forced cooling.


---

# Connections

## Front Panel Connections

The loads should be connected to the positive (red) and negative (black) terminals marked OUTPUT 1, OUTPUT 2, or AUX.

Remote sense connections to the loads on Outputs 1 or 2, if required, are made from the corresponding positive (+) and negative (–) REMOTE SENSE terminals. Remote sense operation is selected from the keyboard or via a remote control interface (P models only); the REMOTE SENSE lamp is lit when remote sense is selected. Switching off remote sense returns the instrument to local sensing at the output terminals.

The terminal marked  is connected to the chassis and safety earth ground.

## Rear Panel Connections

### Main Output Terminals (P models only)

The output and sense terminals are duplicated on the rear panel screw-terminal block marked Output +, Output –, Sense + and Sense – ; these connections are paralleled with their front panel equivalents.

Remote sense operation is selected from the keyboard or via a remote control interface. When the rear panel terminals are used, remote sense should always be selected to ensure that output regulation is maintained within specification.

### Auxiliary Output Terminals (T models only)

The front panel AUX OUTPUT terminals are duplicated on the rear panel with screwless terminals marked AUXILIARY OUTPUT.

---

## Alarm Outputs

Associated with each main output are recessed 2-pin connectors marked Alarm. These provide access to an opto-isolated NPN switching transistor, the function of which can be set from the keyboard, see the Alarm Output section of this manual.

The maximum operating voltage that can be applied across the terminals is 20VDC and the maximum sink current for the switch 'closure' is 1mA.



Do not apply external voltages between the terminals exceeding 30VDC.

## RS232 (P models only)

9-pin female D-connector with pin connections as shown below. Can be connected to a standard PC port using a fully wired 1:1 male-female cable without any cross-over connections.

Pin	Name	Description
1	RI	Passively asserted (+V through 10kΩ)
2	TXD	Transmitted data from instrument
3	RXD	Received data to instrument
4	CTS	
5	GND	Signal ground
6	RTS	Passively asserted (+V through 10kΩ)
7	DSR	No internal connection
8	DTR	
9	CD	No internal connection

Signal ground is connected to instrument ground.

## USB (P models only)

The USB port is connected to instrument ground. It conforms with USB 2.0 (Full Speed) and accepts a standard USB cable. The Windows plug-and-play functions should automatically recognise that the instrument has been connected. If the correct driver is not found, follow the Windows on-screen prompts and install the required files from the CD supplied.

## LAN (P models only)

The LAN interface is designed to meet LXI (Lan eXtensions for Instrumentation) version 1.2; the instrument is Class C compliant. Remote control using the LAN interface is possible using a TCP/IP Socket protocol. The instrument also contains a basic Web server which provides information on the unit and allows it to be configured. Since it is possible to misconfigure the LAN interface, making it impossible to communicate with the instrument over LAN, a LAN Configuration Initialise (LCI) mechanism is provided via a recessed switch on the rear panel (marked LAN RESET) to reset the unit to the factory default.

Further details are given in the Remote Operation chapter. For more information on LXI standards refer to [www.lxistandard.org/home](http://www.lxistandard.org/home)

## GPIB (P models only)

The GPIB signal grounds are connected to the instrument ground. The implemented subsets are:

SH1 AH1 T6 TE0 L4 LE0 SR1 RL2 PP1 DC1 DT0 C0 E2

The GPIB address is set from the front panel.

---

# Initial Operation

This section of the manual is a general introduction to the controls and operation of the instrument and is intended to be read before using the power supply for the first time.

In this manual front panel keys, connections and display indicators are shown in capitals, e.g. STORE, ESCAPE, OUTPUT, JOG. Messages shown on the 7-segment display are printed in a different type-font, e.g. *StorE*, *GPiB*, *trIP* in upper or lower case to represent the characters as they are shown on the 7-segment display.

## Switching On, Output On/Off

The power switch is located at the bottom left of the front panel.

At power-up the default behaviour is for the instrument's settings to be restored to those automatically saved when it was switched off, but with all outputs always off. However, the user can change the default setting such that selected outputs are restored at power-up to their status at power-down, see the Extra Functions section.

The DC outputs are switched electronically with their respective ON/OFF keys; the key illuminates when the output is on. In addition, all outputs can be switched on and off together using the ALL ON and ALL OFF keys.

## Synchronous Output On/Off Switching (T models only)

Pressing ALL OFF at any time will synchronously turn off any outputs that are on; under the same load conditions outputs will typically turn off within 1ms of each other. With all outputs off the ALL OFF key is illuminated green. Pressing the ALL ON key when all the outputs are off will turn all the outputs on synchronously; outputs with identical settings and load conditions will typically turn on within 1ms of each other. However, if one output is already on, pressing ALL ON will turn the remaining outputs on but the turn-on delay between the outputs will be up to 80ms, even with the same output setting and load conditions.

## Keypad

Only the principles of operation are outlined here; the setting of individual parameters is given in detail in later sections.

The paramount consideration in designing the user interface has been to make changing settings as 'safe' as possible (i.e. with minimal risk of accidentally applying excessive voltages to a target system) whilst achieving ease of use. This has been achieved by requiring the user to confirm (OK) new numeric settings, with the option to ESCAPE at any point or even to simply pause until the operation times-out and the instrument returns to its original settings.

In addition a buzzer, illuminated keys, LED indicators and display messages prompt, guide or warn the user such that entry or control errors are minimised. Where some of these features (e.g. beeps or flashing indicators) are considered unnecessary by regular users, the option exists to disable them, see the Extra Functions section.

On triple output (T) models the ability to change settings from the keypad or by using the Jog controls is assigned to Output 1, Output 2 or both by using the 1, 2 or LINK ◀ CONTROL ▶ keys respectively. The key (1 or 2) associated with the selected output illuminates to show which output is under control. In LINK mode (both keys lit) both outputs are controlled at the same time, including some of the shifted operations (RANGE, STORE, RECALL and V x A). The further descriptions that follow apply to either or both main outputs as appropriate to the setting indicated by the illumination of the ◀ CONTROL ▶ keys.

Under normal conditions the numeric keypad is disabled; pressing any key will cause the buzzer to make a double beep, indicating an illegal operation. To set a voltage or current with the keypad press the V or I NUMERIC SET key; the appropriate display shows 0-000V or 0-000A with the digit to the left of the decimal point flashing. Digits are entered in response to the flashing prompt, together with the decimal point at the appropriate time, and the entry is confirmed with the OK key. If OK is not pressed within 10 seconds of the last numeric key the entry is cancelled and the display returns to its original setting. If ESCAPE is pressed anywhere in the entry procedure, entry is cancelled and the display returns to its original setting.

---

The OK key is used to confirm most keypad entries. At all other times it becomes the VIEW V/I LIMITS key and pressing it will cause the display to show preset output voltage and current limit for 3 seconds; during this period the LIM indicator in the display flashes.

Pressing SHIFT illuminates the key and gives the numeric keys the functions marked above them (e.g. STORE, RECALL, etc.). When a function is selected by pressing one of these keys SHIFT is cancelled (the SHIFT key is no longer lit). The further key presses required to complete the selected function are described in detail in the sections that follow; if no key is pressed within 10 seconds to complete the function, the function will terminate as if ESCAPE has been pressed. SHIFT is a toggle key; pressing SHIFT again when it has been selected will cancel SHIFT. SHIFT is also cancelled by ESCAPE, or by pressing SET V or SET I. Note that in LINK mode settings accessed by STORE and RECALL are specific to the LINK mode and are in addition to settings accessible when STORE and RECALL are used on individually selected outputs.

## Jog Control

The rotary 'jog' control permits the output voltage or current limit to be incremented or decremented in steps with a resolution set by the JOG SET keys; the output immediately follows the setting, i.e. no OK is required.

At power-up jog is always off. To jog the voltage or current setting press the V or I JOG SET key; the key will illuminate and the JOG indicator under the digit that was last jogged will flash. Whilst the V or I JOG SET key is lit, each further press of the V or I key moves the JOG indicator one digit to the left; the selection 'wraps-round' such that when the largest value of jog increment has been reached the next press returns it to the lowest. The default position at power-up is under the LSD, i.e. the lowest jog increment is selected.

Turning the rotary jog control clockwise/anti-clockwise increments/decrements the selected digit; digits to the left of the one being jogged are automatically incremented/decremented when the decade overflow/underflow point is reached. Digits to the right of the one being jogged remain unchanged unless the jog step overflows/underflows the range maximum/minimum in which case they are set to zero. On the XDL 35-5, for example, 33-65V goes to 34-65V goes to 35-00V for the 35V range and a 1V jog increment; 0-160A goes to 0-060A goes to 0-001A for a 0-1A jog decrement.

The jog steps that can be selected for the main range are 1mV, 10mV, 100mV and 1mA, 10mA, 100mA; if the 500mA range has been selected the current increment steps are 0-1mA, 1mA, 10mA.

To disable the jog rotary control press the JOG SET OFF key; reselecting JOG SET V or I will enable jog on the last used digit position. Jog is not cancelled by using numeric entry or any of the SHIFT functions but it is disabled whilst that function is enabled.

When in constant voltage mode, with the output on, the right-hand display will show actual current rather than current limit. If JOG SET I is selected the JOG indicator under the selected digit will flash at half-speed ('lazy' flash). To observe the effect of jogging the current limit it will be necessary to either turn the output off (so that the display permanently shows the current limit) or to press VIEW V/I LIMITS which causes the current limit to be displayed until 3 seconds after movement of the jog control ceases. The 'lazy' flash is also used when JOG SET V has been selected and actual voltage is being shown because the supply has gone into current limit.

The factory default is to flash the JOG indicator under the selected digit for the whole time that jog is selected so that the user is constantly reminded which parameter can be incremented/decremented. Where this degree of reminding is considered inadequate the user can select, using the Extra Functions capability, to flash the digit itself; conversely, where the flashing is considered intrusive the user can select to not flash the JOG indicator (except when the 'lazy' flash is shown).

---

## Display

The displays show the voltage on the left (5 digits) and the current on the right (4 digits) for both the main outputs. These 7-segment displays are also used to show prompts during some of the function settings (e.g. memory store/recall or remote control address setting) using the limited 'character set' that can be achieved with a 7-segment display; these are necessarily a mixture of upper and lower case letters.

Above and below the 7-segment display are several secret-until-lit annunciators.

To the right, above the current display, are the indicators which show the selected operating range: 35V/3A, 15V/5A or 35V/500mA (XDL 35-5T & TP) or 56V/2A, 25V/5A or 56V/500mA (XDL 56-4T & TP); the indicators light beneath the range printed immediately above them and, in the case of the 500mA range, the indicator is marked mA to emphasise that the current display is now showing mA.

The other annunciators above the displays are:

CI, indicating that the instrument is in constant current mode;

LIM, which flashes when the VIEW V/I LIMITS key is pressed to show the set voltage/set current limit in the display;

REM, which lights when the instrument is under control from a remote interface (P models only) and LAN, which indicates the status of the LAN interface connection (P models only).

Below the three least significant digits of both the voltage and current displays are the JOG indicators; the appropriate indicator flashes when the jog function is being used, see the Jog Control section above.

The display of Output 1 can alternatively be used to show the voltage and current of the AUX output (T models only). Full details are given in the Auxiliary Output section.



## Main Outputs

New users should first read the Initial Operation chapter which describes the operating principles of the keypad and rotary jog control. The following paragraphs describe the independent operation of either Main Output. To select which output is to be controlled by the keypad/Jog controls it is first necessary to select that output by pressing the appropriate ◀ CONTROL ▶ key (1 or 2); the key lights to show that it is the selected output.

The additional features available on the triple output (T) models in LINK mode (both Main Outputs selected) are described in the Main Outputs – Link Mode section later in this manual.

## Set Voltage

The left-hand display shows the set voltage to a resolution of 1mV, except when the instrument is in constant current (CI) mode. In CI mode the actual output voltage (which will be less than the set voltage) is shown and the display resolution is 10mV; the least significant digit (1mV resolution) is always displayed as a zero.

The voltage can be set directly from the numeric keypad: press the NUMERIC SET V key, enter the new value using the numeric keys and confirm by pressing OK. The broad principles of keypad entry are explained in the Initial Operation chapter, which should be read by new users.

When SET V is pressed the display shows 0.000; a new voltage is then entered (e.g. 12.345V is entered as 1, 2, ., 3, 4, 5) and confirmed by OK. The position of the decimal point in the display is fixed to reduce the risk of entering a wrong value. As a consequence, and to avoid the need to enter leading zeroes (e.g. 2.345V is entered as 2, ., 3, 4, 5, OK), numbers to the left of the decimal point are shown slightly differently to the numbers to the right of the decimal point during number entry; this is self-evident during number entry.

The minimum voltage setting is 0.000V; the maximum setting for XDL 35-5 is 35.000V (15.000V on the 15V/5A range) or 56.000V (25.000V on the 25V/4A range) for XDL 56-4.

Pressing OK at any point will set the voltage entered with any remaining digits set to zero, e.g. 1, 2, ., 3, OK will set 12.300V; 1, OK will set 1.000V; pressing OK immediately after SET V (while the display shows 0.000V) will set 0.000V.

Pressing ESCAPE at any time during the sequence, or making no further key press within 10 seconds of the previous one will cause the display to return to its original reading before SET V was pressed.

Entering a voltage outside the range maximum (including trying to enter 3 digits before the decimal point) or trying to enter more than 5 digits will cause the buzzer to beep twice; the last key entry will be ignored.

The voltage can also be set using the Jog control. Pressing JOG SET V will illuminate the V key and the JOG indicator under the digit that was last jogged will flash. Whilst the V key is lit, each further press will move the JOG indicator one digit to the left; the selection 'wraps round' such that when the largest value of jog increment has been reached the next press returns it to the lowest. The default position at power-up is under the LSD, i.e. the lowest jog increment is selected. The jog steps that can be selected are 1mV, 10mV and 100mV.

With jog enabled the output voltage can be incremented or decremented with the rotary jog control with a step resolution indicated by the position of the flashing JOG indicator. The output immediately follows the setting, i.e. no OK is required. If the output goes into constant current mode (indicated by the CI indicator flashing) the left-hand display shows actual voltage not set voltage. If JOG SET V is selected the JOG indicator under the selected digit will flash at half speed ('lazy' flash). To observe the effect of jogging the set voltage it will be necessary to either turn the output off (so that the display permanently shows the set voltage) or to press VIEW V/I LIMITS which causes the set voltage to be displayed until 3 seconds after movement of the jog control ceases.

---

Note that in constant current mode the actual voltage is measured and displayed to only 10mV resolution; the 1mV digit permanently displays zero.

Further details on the jog control can be found in the Initial Operation chapter.

## Set Current Limit

With the output off, the right-hand display shows the current limit to a resolution of 1mA (0.1mA on the 500mA range).

The current limit can be set directly from the numeric keypad: press the NUMERIC SET I key, enter the new value using the numeric keys and confirm by pressing OK. The broad principles of keypad entry are explained in the Initial Operation chapter, which should be read by new users.

When SET I is pressed the display shows 0.000; a new current is then entered (e.g. 1.234A is entered as 1, ., 2, 3, 4,) and confirmed by OK. The position of the decimal point in the display is fixed to reduce the risk of entering a wrong value. As a consequence, and to avoid the need to enter or display leading zeroes (e.g. 0.234A is entered as ., 2, 3, 4, OK), numbers to the left of the decimal point are shown slightly differently to the numbers to the right of the decimal point during number entry; this is self-evident during number entry.

The minimum current setting is 0.001A (0.1mA on the 500mA range); the maximum setting is 3.000A, 5.000A or 500.0mA (XDL 35-5) or 2.000A, 4.000A or 500.0mA (XDL 56-4), according to range, i.e. there is no over-range capability.

Pressing OK at any point will set the current entered with any remaining digits set to zero, e.g. 1, ., 2, OK will set 1.200A; 1, OK will set 1.000A; pressing OK immediately after SET I (while the display shows 0.000A) will set 0.001A.

Pressing ESCAPE at any time during the sequence, or making no key press within 10 seconds of the previous one will cause the display to return to its original reading before SET I was pressed.

Entering a value outside the range maximum (including trying to enter 2 digits before the decimal point) or trying to enter more than 4 digits will cause the buzzer to beep twice; the last key entry will be ignored.

The current limit can also be set using the rotary jog control. Pressing JOG SET I will illuminate the key and the JOG indicator under the digit that was last jogged will flash. Whilst the I key is lit, each further press will move the JOG indicator one digit to the left; the selection 'wraps round' such that when the largest value of jog increment has been reached the next press returns it to the lowest. The default position at power-up is under the LSD, i.e. the lowest jog increment is selected. The jog steps that can be selected are 1mA, 10mA and 100mA (0.1mA, 1mA and 10mA on the 500mA range).

With jog enabled the current limit can be incremented or decremented with the rotary jog control with a step resolution indicated by the position of the flashing JOG indicator. The output immediately follows the setting, i.e. no OK is required. With the output on, the right-hand display shows actual current, not current limit (except in constant current mode). If JOG SET I is selected the JOG indicator under the selected digit will flash at half speed ('lazy' flash). To observe the effect of jogging the current limit it will be necessary to either turn the output off (so that the display permanently shows the current limit) or to press VIEW V/I LIMITS which causes the current limit to be displayed until 3 seconds after movement of the jog control ceases.

## Instantaneous Current Output

The current limit control can be set to limit the continuous output current to levels down to 1mA (0.1 mA on 500mA range). However, in common with all precision bench power supplies, a capacitor is connected across the output to maintain stability and good transient response. This capacitor charges to the output voltage and short-circuiting of the output will produce a current pulse as the capacitor discharges which is independent of the current limit setting.

---

## Range Selection

The instrument has three ranges: 35V/3A, 15V/5A and 35V/500mA (XDL 35-5) or 56V/2A, 25V/4A and 56V/500mA (XDL 56-4). The selected range is shown by an illuminated indicator below the appropriate legend at the top right-hand side of the instrument; when the 500mA range is selected the indicator legend is mA to emphasise that the current meter now shows milliamps not amps.

To change range press SHIFT followed by ◀ RANGE or RANGE ▶; each press of ◀ RANGE selects the next range to the left; each press of RANGE ▶ selects the next range to the right; there is no 'wrap-round'. When the range is changed the indicator that represents the new range and the OK key both flash; pressing OK sets the new range. To exit without changing range press ESCAPE. Pressing any other key whilst in range change mode causes the warning buzzer to beep twice; no other action is taken. If OK is not pressed within 10 seconds of the last range change key press the range selection remains unchanged.

The range can only be changed when the output is off. Pressing the ◀ RANGE or RANGE ▶ keys with the output on will cause the output ON/OFF key (as well as the OK key) to flash. The output may be turned off with the ON/OFF key and the range then changed by pressing OK, or OK may be pressed directly in which case the output is automatically turned off and the range then changed.

If a range change causes a voltage or current limit setting to exceed the corresponding maximum of the new range the range change is accepted but the setting is made equal to the maximum of the new range.

Note that the OVP setting is not changed when the range is changed (e.g., for XDL 35-5, an OVP setting of 38V remains valid on the 15V range); it is left to the user to independently change the OVP setting if required.

## Output Settings – Front Panel Lock

To avoid accidental changes to the output settings in a bench or rack set-up, front panel control of Range, Voltage, Current Limit, OVP and OCP can be 'locked' and 'unlocked' with alternate uses of the #33 function, see Extra Functions section. The output ON/OFF key remains unlocked, as does selection of remote sense. Front panel lock still operates in remote control mode (P models only) but is ignored by the remote commands.

On triple output models the AUX output voltage is also locked when Output 1 settings are locked but, additionally, the ◀ CONTROL ▶ keys remain unlocked. All outputs are locked and unlocked together if #33 is used in Link mode, see Auxiliary Output and Main Outputs-Link Mode sections.

## Connection to the Load

The load should be connected to the positive (red) and negative (black) OUTPUT terminals. Both are fully floating and either can be connected to ground.

## Remote Sensing

The instrument has a very low output impedance, but this is inevitably increased by the resistance of the connecting leads. At high currents this can result in significant differences between the indicated source voltage and the actual load voltage (two 20mΩ connecting leads will drop 0.2V at 5 Amps, for instance). This problem can be minimised by using short, thick, connecting leads, but where necessary it can be completely overcome by using the remote sense capability. This requires the sense terminals to be connected to the output at the load instead of at the source; insert wires into the spring-loaded REMOTE SENSE terminals and connect directly to the load.

Select remote sense by pressing SHIFT, SENSE; the OK key flashes and the lamp above the remote sense terminals lights to show that remote sense will be selected when OK is pressed. Press OK to confirm; press ESCAPE to exit without changing state. Remote sense is turned off by pressing SHIFT, SENSE again; the OK key flashes and the remote sense lamp goes off to indicate that local sense will be restored when OK is pressed. Press OK to confirm; press ESCAPE to exit without changing state.

---

To avoid instability and transient response problems, care must be taken to ensure good coupling between each output and sense lead. This can be done either by twisting the leads together or by using coaxially screened cable (sense through the inner). An electrolytic capacitor directly across the load connection point may also be beneficial.

The voltage drop in each output lead must not exceed 0.5 Volts.

The P models have rear panel output and sense terminals, appropriate for when the instrument is used in a rack. The rear panel sense terminals should always be used with the rear panel output connections.


### Sense Miswiring Trip

The output will be tripped off if the voltage between an output terminal and its corresponding sense terminal exceeds approximately 1V; this will happen if the sense wires are wired at the load to the wrong output or if an attempt is made to draw power from the sense wires.

If the sense terminals are miswired in this way the display shows the message **SENSE trip** and the output is turned off. Pressing ESCAPE at this point removes the message and the display now shows the preset voltage and current limit. When the cause of the trip has been corrected the output can be turned on again.

### Series or Parallel Connection with Other Outputs

The outputs of the power supply are fully floating and may be used in series with other power supply units to generate high DC voltages up to 300V DC. It should be noted that the unit can only source current and cannot sink it, thus units cannot be series connected in anti-phase.

The maximum permissible voltage between any terminal and earth ground () is 300VDC.

**WARNING!** Such voltages are exceedingly hazardous and great care should be taken to shield the output terminals for such use. On no account should the output terminals be touched when the unit is switched on under such use. All connections to the terminals must be made with the power switched off on all units.

The unit can be connected in parallel with others to produce higher currents. Where several units are connected in parallel, the output voltage will be equal to that of the unit with the highest output voltage setting until the current drawn exceeds its current limit setting, upon which the output will fall to that of the next highest setting, and so on. In constant current mode, units can be connected in parallel to provide a current equal to the sum of the current limit settings.

Note that the output terminals are rated at 30A maximum; if several outputs are operated in parallel to source higher currents than this the junction should be made at a separate point, not one of the terminals.

### Over-Voltage Protection

Over-Voltage Protection (OVP) can be set from 1.0V to 40V (XDL 35-5) or to 60V (XDL 56-4). If the output voltage exceeds the set OVP the output is immediately shut down (typically within 100µs), thus avoiding damage to the circuit under test. The OVP circuit will protect against accidental excessive voltage settings from the front panel or via the remote control interfaces, external voltages impressed across the output terminals, or a failure in the control circuitry of the instrument itself.

To set OVP press SHIFT, OVP; the 100mV step JOG indicator will start flashing and the jog rotary control can be used to increment/decrement the OVP setting in 100mV steps. Press OK to confirm the new setting; to exit without entering a new value press ESCAPE. The factory default settings are 40.0V (XDL 35-5) and 60V (XDL 56-4).

If the OVP is tripped the display shows the message **OVP trip** and the output is turned off. Pressing ESCAPE at this point removes the message and the display now shows the preset voltage and current limit. When the cause of the OVP has been removed (or the OVP limit changed) the output can be turned on again.

Note that the OVP setting is not changed when the range is changed (e.g., for XDL 35-5, an OVP setting of 38V remains valid on the 15V range); it is left to the user to independently change the OVP setting if required. Note also that it is possible and valid to set OVP below the set voltage. If the supply is in constant current mode the output voltage will be below the set voltage; OVP could

---

be set such that it was above the actual output voltage but below the set voltage. This could be used to trip the output under a fault condition which caused the load impedance to increase and the actual output voltage to therefore rise above the OVP point.

### Over-Current Protection

Over-Current Protection (OCP) can be set from 0.01A to 5.5A (XDL 35-5) or to 4.4A (XDL 56-4). If the output current exceeds the set OCP the output is shut down (typically within 35ms).

To set OCP press SHIFT, OCP; the 10mA step JOG indicator will start flashing and the jog rotary control can be used to increment/decrement the OCP setting in 10mA steps. Press OK to confirm the new setting; to exit without entering a new value press ESCAPE. The factory default setting is 5.50A (XDL 35-5) or 4.4A (XDL 56-4).

If the OCP is tripped the display shows the message **OCP trip** and the output is turned off. Pressing ESCAPE at this point removes the message and the display now shows the preset voltage and current limit. When the cause of the OCP has been removed (or the OCP limit changed) the output can be turned on again.

Note that as with OVP, the OCP setting is not changed when the range is changed.

Note also that it is possible and valid to set OCP below the set current limit. For example, the power supply may be used to repetitively test a unit under test (UUT) which normally takes a peak current of, say, 2 Amps. However, a faulty UUT would take a current of more than 2 Amps and would be damaged by being left in a 2 Amp current-limited state. In this case the current limit could be set to 2.1A, say, and the OCP set to 2.0A to ensure that a faulty UUT will trip the supply off.

### Output Protection

In addition to OVP and OCP for forward over-voltage and over-current protection, the output is protected from reverse voltages by a diode; the continuous reverse current must not exceed 3 Amps although transients can be much higher.

### Output Power (V x A)

If SHIFT, V x A is pressed the voltage display shows the product of measured output voltage x measured current and the current display shows **UA**; the output power reading is continuously updated at the normal measurement rate. Output Power mode is cancelled by pressing either ESCAPE or V x A again. Jog is temporarily disabled (and the JOG indicators are turned off) during the V x A display.

### Temperature Trip

If the safe internal temperature limit is exceeded because, for example, the fan vents have been blocked, the output is turned off and the display will show **otP trip**. Pressing ESCAPE at this point will do one of two things:

- i. If the over-temperature condition has already cleared the message will be removed and the display will show preset voltage and current limit. Assuming the cause of the over-temperature has been rectified the output can be turned on again.
- ii. If the instrument is still above the safe temperature limit the **otP trip** message will flash slowly ('lazy' flash) until the instrument has cooled, at which point the display will show preset voltage and current limit again. Assuming the cause of the over-temperature has been rectified the output can be turned on again.

### Alarm Output

The recessed 2-pin connector on the rear panel is directly connected to an opto-coupled NPN switching transistor (pin 1 emitter, pin 2 collector) which is turned on (i.e. switch 'closure') according to the conditions specified in the Extra Functions section, see later. The default condition is switch closure for any trip condition (OVP, OCP, SENSE or OTP). The maximum open-circuit voltage permitted across the switch is 30VDC and the nominal sink current for switch closure is 1mA.

---

## Store Settings

The instrument can store 50 set-ups for each output in non-volatile memory; the parameters stored are range, voltage, current limit, OVP and OCP. The output state and remote sense setting are not stored. In addition, a further 50 Link Mode set-ups can be saved, see Main Outputs – Link Mode section.

To store a set-up, first press SHIFT, STORE; the display shows **sto.** on the left with the store number (0 to 49) and store status (either **E** for store Empty or **F** for store Full) on the right. The SHIFT function is cancelled (the light goes off) at this point. The store number (0 to 49) can be set directly from the keypad or by using the Jog control to increment/decrement the displayed number; the JOG indicator beneath the store number flashes to indicate that the Jog control is active. Set the required store number by either method and press OK to store the settings and return the display to showing V & I. The store function can still be used when the output settings have been 'locked' using the #33 function. A full store can be overwritten with new settings. At any time before the OK key is pressed the store function can be exited without saving a set-up by pressing ESCAPE or by waiting 10 seconds from the last key entry.

## Deleting Stored Settings

Any store can be returned to 'empty' as follows: press SHIFT, STORE, and set the required store number via keypad or Jog control as described above; at that point press **•**. The display now shows **del** in place of **sto**, e.g. **del 29 F**; pressing OK deletes the content of the store. All of the output's stored set-ups can also be deleted simultaneously by using the #98 function, see Extra Functions section.

## Recall Settings

To recall a set-up, first press SHIFT, RECALL; the display now shows **rec.** on the left with the store number (0 to 49) and store status (either **E** for store Empty or **F** for store Full) on the right as each store is either selected in turn using the Jog control, or is set from the keypad (as for storing set-ups, see above). The SHIFT function is cancelled (the light goes off) at this point. If the store selected is full (**F**), the display changes to a flashing preview of the V & I values of that store; press OK to recall the settings of the store and return the display to showing V & I. If the store selected is empty (**E**), the display flashes **-----** to indicate this. It is not possible to recall an 'empty' store (pressing OK gives a warning beep); either select a full store or press ESCAPE to exit Recall. Recall cannot be used if the output has been 'locked'.

At any time before the OK key is pressed the Recall function can be exited without recalling a set-up by pressing ESCAPE or by waiting 10 seconds from the last key entry.

Settings may be recalled with the output on or off. However, if the recalled setting involves a range change the output is turned off to avoid any 'glitches'. After pressing SHIFT, RECALL, and setting the store number, the ON/OFF key will flash (as well as the OK key) if completing the recall involves a range change. The output may be turned off with the ON/OFF key and the recall then completed by pressing OK, or OK may be pressed directly in which case the output is automatically turned off and the recall completed.

## Extra Functions

Variations on some of the factory default functions can be set by the user by using the # extra functions facility. Each function change, detailed in the list below is accessed by pressing SHIFT, #, nn, when nn is the 2-digit number in the list below; the display changes to **HASH No. \_** after SHIFT, # and the buzzer gives a confirmation beep when the 2-digit number entry is complete. As indicated in the opening paragraph of this section, the # functions can be set independently (i.e. differently) for each main output; note, however, that the #02, #03 and #21 functions which apply to the Auxiliary Output can only be set when **◀ CONTROL ▶** is assigned to Output 1.

The settings of each Main Output can be 'locked'/'unlocked' individually by using #33 with the **◀ CONTROL ▶** assigned to the respective output; on T models the AUX settings are also locked/unlocked when Output 1 is locked/unlocked. The settings of all outputs are locked/unlocked together if #33 is used with **◀ CONTROL ▶** set to LINK mode.

# Code	Function
00	Main Output always off at power-up (factory default)
01	Main Output status at power-up the same as at last power-down
02	Aux Output (T models only) always off at power up (factory default). Set with control assigned to Output 1.
03	Aux Output (T models only) status at power up the same as at last power down. Set with control assigned to Output 1.
20	Alarm output 'open' for main Output off, 'closed' for main Output on
21	Alarm output 'closed' when Aux Output is in Current Limit. Set with control assigned to Output 1; applies to Output 1 alarm only.
22	Alarm output 'closed' when over-temperature trip occurs
23	Alarm output 'closed' when sense trip occurs
24	Alarm output 'closed' when over-current trip occurs
25	Alarm output 'closed' when over-voltage trip occurs
26	Alarm output 'closed' when any trip occurs (factory default)
30	Buzzer off
31	Buzzer on (factory default). A single beep indicates confirmation, a double beep indicates a wrong entry.
33	Lock/Unlock settings. Note that the AUX output settings are locked with Output1.
40	Jog digit flashes, JOG indicator only flashes when jog is 'hidden'
41	JOG indicator always flashes, except when 'hidden' (factory default)
42	JOG indicator doesn't flash, except when 'hidden' (lazy flash)
91	Loads default calibration parameters. Refer to Service Guide
92	Shows firmware version number in the display
93	Sets these # settings to their factory default
94	Loads Factory Default settings (see below)
98	Clears all the output's set-up memories. AUX output always cleared with O/P1. In LINK mode, clears all memories in all modes (O/P1, O/P2, AUX & LINK).
99	Enter calibration mode. Refer to Service Guide.

## Factory Default Settings

The ex-factory default settings (which will apply at first power-up) are as follows:

Range:	XDL 35-5: 35V/3A	XDL 56-4: 56V/2A
Voltage:	XDL 35-5: 1.000V	XDL 56-4: 1.000V
Current Limit:	XDL 35-5: 1.000A	XDL 56-4: 1.000A
OVP:	XDL 35-5: 40V	XDL 56-4: 60V
OCP:	XDL 35-5: 5.5A	XDL 56-4: 4.4A
Output:	Output off; local Sense	
# Settings:	00	Main Output always off at power-up
	02	Aux Output always off at power up (an Output 1 # function only).
	26	Alarm output 'closed' when any trip condition occurs
	31	Buzzer on
	41	JOG indicator always flashes; 'lazy' flash when hidden

---

RS232: 9,600 Baud (P versions only)  
Address: 11 (P versions only)

## Error Messages

The following hardware errors are indicated by showing the appropriate error number in the display. The OK key will flash and if pressed the error will be ignored and operation will continue as described.

Error No.	Error Description	Action on pressing OK
1	Calibration constants corrupted at power-up	Loads default calibration parameters
2	# functions corrupted at power-up	Loads default # settings
3	Power-down settings not correctly loaded at power up	Loads factory default power-up settings

Switching the instrument off with the error message showing will leave all settings unchanged.

## Main Outputs – Link Mode (T models only)

In Link mode, selected by pressing the LINK key, the key parameters of the two Main Outputs are adjusted together; when Link mode has been selected both ◀ CONTROL ▶ keys (1 and 2) are lit to show that both outputs are selected.

The following paragraphs only describe the differences between independent and linked operation; they should be read in conjunction with the corresponding paragraphs in the Main Outputs section.

### Link Mode Operation – Overview

Control of the two main outputs can be "linked" so that changes are applied to both outputs simultaneously. There can be several reasons for wanting to do this:

#### 1. Series or Parallel Wiring

The user may wish to create an output with either twice the voltage or twice the current capability, see the Series or Parallel Connection with Other Outputs section on page 19. Link mode provides a convenient means for controlling the two outputs when they are series or parallel connected.

#### 2. Tracking Voltages (or Currents)

When in Link mode, using Numeric Set will set equal voltages and/or currents on the two outputs. Control of the outputs can also be linked with different voltages and/or currents set on the outputs. Use of the Jog control will then make equal changes to the two outputs.

#### 3. Simultaneous Recall of Stored Settings

Each output has its own set of 50 memories. However, when in Link mode, a further set of 50 memories is available which can store settings for both outputs. Voltages and currents can be set individually for each output and the control put into Link mode before storing. The stored settings can then be recalled to both outputs simultaneously. Using #98 in Link mode will clear all the memories of all 3 outputs in all modes, see Extra Functions section.

**Notes:** The existing settings for Output 1 can be duplicated on Output 2 using the Copy function before or after linking.

When in Link mode the control functions are limited to Set Range, Set Volts and Set Current (Numeric Set and Jog set), plus Store and Recall. OVP, OCP and Sense cannot be changed while in linked mode.

Control of on/off for each output remains separate when in Link mode. To switch the outputs on or off together the ALL ON/ALL OFF buttons must be used which are independent of Link mode.

Using #33 in Link mode will lock/unlock front panel control of all 3 outputs simultaneously.

### Selecting Link Mode

The only constraint on selecting Link mode is that both Main Outputs must already be set to the same Range; in particular, the outputs may be linked even if their output voltage and current limit



---

settings are different. Pressing LINK when different ranges are set will cause the buzzers to sound twice and the Range indicator of the previously unselected output to flash for 2 seconds. Selecting Link mode will cancel any Jog selection set on either Main Output.

### Set Voltage and Set Current Limit

Setting the output voltage and current limit by numeric entry or Jog control is essentially the same as for the outputs in independent mode. Using numeric entry the two outputs will be set to exactly the same new voltage and current limit, irrespective of the settings at the time the outputs were linked. Note that there can be a finite time difference between the changes on the two outputs, even if they are changing from the same initial setting; typically this time difference should be no more than 40ms (80ms max). However, if the settings were different at the time the outputs were linked, changing the voltage or current limit using the Jog control will maintain the difference between the two outputs by incrementing/decrementing each output by the same step, i.e. the outputs will 'track' each other. Tracking will be maintained until one of the outputs reaches the range limit, at which time each further Jog step will cause the buzzer to sound for that output (but with the output remaining at the range limit) whilst the in-range output continues to change, i.e. 'tracking' ceases and the outputs converge with each further step. If the increment/decrement is reversed the new (smaller) difference between the outputs is maintained until one output reaches the range limit in the other direction.

If Link mode is exited whilst Jog is selected, Jog continues to be active on the selected output.

### Store and Recall

In Link mode a further 50 non-volatile memories are available which are quite separate from the 50 memories for each output in independent mode. The parameters stored are Range, Voltage, Current Limit, OVP and OCP. Operation in Link mode is exactly as described in the Store, Recall and Delete paragraphs of the Main Outputs section; the display messages described in these sections appear in both displays when Link mode is selected.

### OVP, OCP and Sense

OVP, OCP and Sense can only be set when either channel is independently selected. The settings are maintained when Link mode is selected; OVP and OCP can be saved as part of a Link mode set-up but the Sense setting cannot. If an attempt is made to change OVP, OCP or Sense whilst in Link mode the display of Output 1 will flash **SELct 1or2** to remind the user that these parameters must be set independently for each channel. Press ESCAPE to cancel the flashing display, assign control to the appropriate channel using the ◀ CONTROL ▶ 1 or 2 keys and set OVP, OCP, or Sense as described for the individual outputs.

### Output Power

Pressing SHIFT, V x A causes the output power of both outputs to be displayed simultaneously in their respective displays (V x A in the voltage display, **UA** in the current display) exactly as described for independent operation.

### Extra Functions

The # functions described in the Extra Functions paragraph of the Main Outputs section can also be set when the instrument is in Link mode; both displays will show **HASH No. \_** after pressing SHIFT, #. Any # function set in this way will of course be the same for both outputs. However, the # functions can be different for each output if they are separately set whilst in independent mode and the function selection will be maintained for each output even when the outputs are in Link mode.

### Bus Type and Address/Baud Rate

The Bus Type, Address and Baud Rate can only be selected when control is assigned to Output 2. The Output 2 display is used to show the parameters being set, exactly as described for independent operation. If an attempt is made to set these parameters in LINK mode, or with Output 1 selected, the display of Output 1 flashes **SELct P.U.\_2** as a prompt to select Output 2. Press Escape to clear the display prompt (or wait for it to time out), then select Output 2.

---

## Main Outputs – Copy Function (T models only)

The principle settings of Output 1 can be copied to Output 2 using the Copy function, irrespective of the ◀ CONTROL ▶ mode (1, 2 or LINK) currently selected. The parameters copied are Range, Voltage, Current Limit, OVP and OCP; the status of Sense, ON/OFF, Jog and the Store contents are not copied.

Pressing SHIFT, COPY 1>2 causes the Voltage, Current and Range settings of Output 1 to appear on the displays of Output 2 in flashing mode; the OK key also flashes. Pressing OK confirms and implements the Copy operation; pressing ESCAPE at that point abandons the operation.

If the Copy operation will cause a range change to Output 2, and if Output 2 is ON, the Output 2 ON/OFF key also flashes and the output is turned OFF when OK is pressed; the output can also be turned off directly with its ON/OFF key before OK is pressed.

## Auxiliary Output (T models only)

The AUX output can provide up to 3 Amp at an output voltage of 1.00V to 6.00V. The output voltage is set by the Jog control (only) with a fixed stepping resolution of 10mV; the current limit is fixed at  $\geq 3A$ .

The AUX output voltage can be set, and the voltage and current monitored, on the Main Output 1 display with alternate presses of the SET/VIEW button beside the AUX terminals. Press once to show the AUX V & I (A shows in front of the V setting to indicate this), press again to show the V & I of Output 1.

The AUX output is switched on and off with the AUX ON/OFF key; the key is lit when AUX is on. With the AUX output off, and the AUX V & I shown on the display of Output 1, the AUX output voltage can be previewed and set using the Jog control; the current limit is fixed and the preview shows 3.00A. With the AUX output turned on, the Output 1 display shows actual AUX output voltage and current.

The AUX output is protected against current overload and momentary short-circuit as follows. When the load current exceeds  $\sim 3.00A$  the  $I_{LIMIT}$  lamp lights to show that regulation is no longer maintained. If this overload condition persists for more than approximately 5s the output will trip off; the AUX ON/OFF key is no longer lit, the  $I_{LIMIT}$  lamp now flashes, and the display of Output 1 (if set to show AUX V & I) shows the message **trip** in place of the current measurement. Pressing the AUX ON/OFF key then resets both the  $I_{LIMIT}$  lamp and the Output 1 display to show preset AUX voltage and current limit. Once the overload condition has been removed the AUX output can be switched on again.

A further 10 non-volatile memories, separate from the 50 memories for each Main output and Link mode operation, are available to store AUX output voltage set-ups. Press the SET/VIEW key to show AUX V & I in the display of Output 1; operation is then exactly as described in the Store, Recall and Delete paragraphs of the Main Outputs section.

The output terminals are duplicated on the rear panel (screwless terminals) for rack use; there is no remote sense capability.

The following features of the AUX output can be set/monitored via the remote interfaces:

- Set output voltage; readback set output voltage.
- Readback actual output voltage and current.
- Set a deltaV increment; readback the set increment.
- Increment/decrement the output voltage by deltaV.
- Switch AUX output on and off.
- Readback output on/off status.
- Current limit and current trip status (via LSR2? command, see Status Model).

Further details can be found in the Remote Commands section.

---

## Remote Operation (P models only)

The instrument can be remotely controlled via its RS232, USB, LAN or GPIB interfaces.

USB remote control operates in a similar way to RS232 but via the USB connector. Software supplied with the instrument sets up the controlling computer to treat the USB connection as a virtual COM port. Application software on the computer can then access the instrument via that COM port.

The LAN interface is designed to meet LXI (Lan eXtensions for Instrumentation) version 1.2; the instrument is Class C compliant. Remote control using the LAN interface is possible using the TCP/IP Sockets protocol. The instrument also contains a basic Web server which provides information on the unit and allows it to be configured from a web browser. Simple command line control from the browser is also possible.

All interfaces are, by default, live at all times (a LXI requirement) but access to individual interfaces may be restricted using the configuration options on the web pages.

### Interface Locking

All interfaces are live at all times; this removes the need to select the active interface and is also a LXI requirement. To reduce the risk of the instrument being inadvertently under the control of two interfaces at once a simple lock and release mechanism is provided in the instruction set. The lock is automatically released where it is possible to detect disconnection and when the local button is pressed. Access to the interfaces may also be restricted using the web pages.

Any interface may request to have exclusive control of the instrument by sending an "IFLOCK" command. The lock may only be released by sending an "IFUNLOCK" command from the interface instance that currently has the lock and may be queried from any interface by sending an "IFLOCK?" command. The reply to any of these commands will be "-1" if the lock is owned by another interface instance, "0" if the interface is free and "1" if the lock is owned by the requesting interface instance. Sending any command from an interface without control privileges that attempts to change the instrument status will set bit 4 of the Standard Event Status Register and put 200 into the Execution Error Register to indicate that there are not sufficient privileges for the required action.

**Note:** it is also possible to configure the privileges for a particular interface to either 'read only' or 'no access' from the Web page interface.

### Address & Baud Rate Selection and Interface Status View

The instrument address capability is strictly required only by the GPIB interface. However, use can be made of the ADDRESS? command over any of the interfaces to easily identify which instrument is being controlled by a particular COM port (for RS232 or USB) or TCP socket (for LAN). Note that the LAN interface also has a separate 'Identify' function, accessible from the instrument's web pages, that flashes the instrument's display until the function is cancelled.

To access the interface address or Baud rate the ◀ CONTROL ▶ mode must first be set to 2 (i.e. Output 2 only selected). Press SHIFT, Addr/Baud to display the currently selected instrument bus address. Pressing Addr/Baud again displays the currently selected Baud rate and repeated presses alternate between the two.

To change the address scroll through the available addresses using the Jog control when the address is displayed. The address can be set between 1 and 31 inclusive. The address can also be set from the instrument's web pages. To change the Baud rate scroll through the available rates (600 to 19200, factory default 9600) using the Jog control when the Baud rate is displayed.

Press OK to select the last displayed address and Baud rate or ESCAPE to retain the previous selections.

By default all interfaces are live at all times. It is however possible to configure the privileges for a particular interface to either “read only” or “no access” from the Web page interface. The status of the interface privileges may be viewed, but not changed, from the front panel.

To view the interface privileges the ◀ CONTROL ▶ mode must first be set to 2 (i.e. Output 2 only selected). Press SHIFT, Bus Type to first display the status of the GPIB interface. To view the privilege status of another interface, scroll through the interface list using the Jog control until the required interface is displayed. The status will be shown as either **F**ull, **o**FF or **r**EAd.

## Remote/Local Operation

At power-on the instrument will be in the local state with the REM indicator off. In this state all keyboard operations are possible. When the instrument is addressed to listen and a command is received the remote state will be entered and REM will be turned on. In this state the keyboard is locked out and remote commands only will be processed. The instrument may be returned to the local state by pressing the LOCAL key; however, the effect of this action will only remain until the instrument is addressed again or receives another character from the interface, when the remote state will once again be entered.

## RS232 Interface

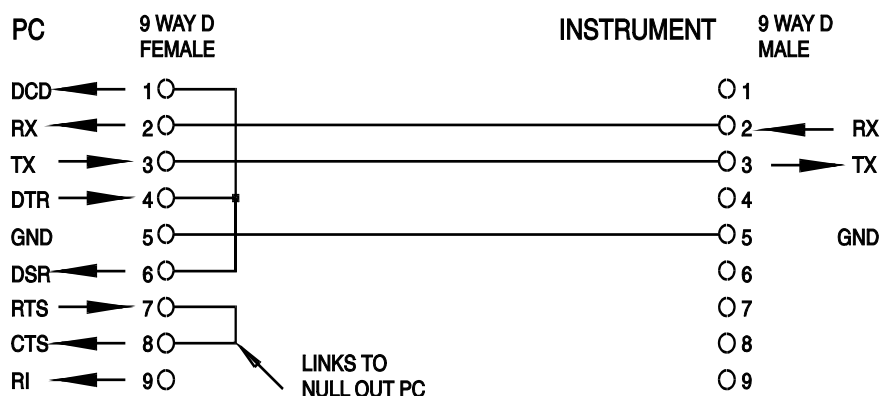
### RS232 Interface Connector

The 9-way D-type serial interface connector is located on the instrument rear panel. The pin connections are as shown below:

Pin	Name	Description
1	RI	Passively asserted (+V through 10kΩ)
2	TXD	Transmitted data from instrument
3	RXD	Received data to instrument
4	CTS	
5	GND	Signal ground
6	RTS	Passively asserted (+V through 10kΩ)
7	DSR	No internal connection
8	DTR	
9	CD	No internal connection

### RS232 Connections

The RS232 interface should be connected to a standard PC port using a fully wired 1:1 male-female cable without any cross-over connections. Alternatively, only pins 2, 3 and 5 need be connected to the PC, but with links made in the connector at the PC end between pins 1, 4 and 6 and between pins 7 and 8, see diagram.



---

Baud Rate is set as described above in Address and Baud Rate Selection; the other parameters are fixed as follows:

Start Bits: 1	Parity: None
Data Bits: 8	Stop Bits: 1

## RS232 Character Set

Because of the need for XON/XOFF handshake it is possible to send ASCII coded data only; binary blocks are not allowed. Bit 7 of ASCII codes is ignored, i.e. assumed to be low. No distinction is made between upper and lower case characters in command mnemonics and they may be freely mixed. In this manual 20H, etc. means 20 in hexadecimal

## USB Interface

The USB interface is a virtual COM port which can be controlled by a PC as if it was a RS232 device. The instrument is supplied with a CD containing an .inf file for the standard Microsoft drivers available in Windows 2000, XP, Vista and Windows 7; the installation wizard will install the driver (32-bit or 64-bit) appropriate to the PC's operating system. Any updates are available via the TTI website, [www.tti-test.com](http://www.tti-test.com).

Installation of the interface driver is achieved by connecting the instrument to a PC via a standard USB cable. The Windows' plug and play functions should automatically recognise the addition of new hardware attached to the USB interface and, if this is the first time the connection has been made, prompt for the location of a suitable driver. Provided that the standard Windows prompts are followed correctly Windows will install the appropriate driver and establish a virtual COM port within the PC. The number of the new COM port will depend upon the number of co-existing COM ports within the PC. The virtual COM port can be driven by Windows applications in exactly the same way as a standard COM port, except that the Baud rate setting of the virtual COM port is ignored.

The driver will remain installed on the PC so that the establishment of a virtual COM port is done automatically each time the instrument is connected to the PC via USB in the future.

Further virtual COM ports are created for each additional instrument connected to the PC via USB. Each instrument is assigned a separate virtual COM port when it is first connected and the same COM port will be assigned each time that instrument is subsequently connected; the PC software makes use of the unique code embedded in each instrument to link it to the same virtual COM port irrespective of which physical USB port it is connected to.

Use can also be made of the ADDRESS? command to easily identify which instrument is being controlled by a particular COM port. Although the addressing capability is ignored in USB operation the address can still be set and used as an identifier; set each USB-connected instrument to a different address and send the ADDRESS? command from each virtual COM port to confirm which instrument is connected to that port.

## LAN Interface

The LAN interface is designed to comply with the LXI standard version 1.2 and contains the interfaces and protocols described below. Since it is possible to misconfigure the LAN interface, making it impossible to communicate with the instrument over LAN, a LAN Configuration Initialise (LCI) mechanism is provided via a recessed switch on the rear panel to reset the unit to the factory default. The default setting is for the instrument to attempt to obtain settings via DHCP if available or, if DHCP times out (30 seconds), via Auto-IP. In the very unlikely event that an Auto-IP address cannot be found a static IP address of 192.168.0.100 is assigned. Resetting the LAN removes any password protection.

For more information on LXI standards refer to [www.lxistandard.org/home](http://www.lxistandard.org/home) .

---

## LAN Connection

To use the LAN interface, the IP address of the unit must be known. There is a LXI Discovery Tool on the supplied CD-ROM which can be used to display the IP addresses (and other associated information) of all connected devices that comply with the VXI-11 discovery protocol. This tool is a Windows PC application that should be installed and run on the controlling PC with the unit either connected directly to the PC network connector or via a router. Connecting via a router is recommended as this is significantly quicker to assign an IP address; connecting directly to the PC will begin to assign an IP address only after a 30 second DHCP timeout. Double clicking on any entry in the list of devices discovered will open the PC's web browser and display the Home page of that device.

There are also tools for LAN discovery included as part of the National Instruments Measurement and Automation Explorer package and the Agilent Vee application.

The unit will, when first powered up, attempt to obtain settings via DHCP if available or, if DHCP times out (30 seconds), via Auto-IP. In the very unlikely event that an Auto-IP address cannot be found a static IP address of 192.168.0.100 is assigned. During this time the LAN lamp will be lit and it will stay lit if a LAN connection is successfully made. However, if a connection is still not made by the end of the above process, or if the LAN connector is physically removed at any time, the LAN lamp will go off; see LAN Error section for details.

## Web Server; Configuration Password Protection

The unit contains a basic web server. This provides information on the instrument and allows it to be configured. The Configure page can be password protected to deter unauthorised changes to the remote operation configuration; the default configuration is 'no password'.

The Configure page itself explains how to set the password. The password can be up to 15 characters long; note that the **User Name should be left blank**. The password will, however, be reset to the default (no password) if the rear panel LAN RESET switch is used to reset all the LAN parameters to their factory default.

The web pages also have an 'Identify' function which allows the user to send an identifying command to the instrument which causes its displays to flash until the command is cancelled.

## ICMP Ping Server

The unit contains an ICMP server allowing the instrument to be 'pinged' via either its host name or IP address.

## VXI-11 Discovery Protocol

The instrument has very limited support of VXI-11 which is sufficient for the discovery protocol and no more.

The instrument implements a Sun RPC Port-mapper on TCP port 111 and UDP port 111 as defined in RPC1183. The calls supported are: NULL, GET PORT and DUMP.

On TCP port 1024 a very simple VXI-11 protocol is implemented sufficient only for instrument discovery. This implements the following calls: CREATE LINK, DEVICE\_WRITE, DEVICE\_READ and DESTROY\_LINK.

Once a link has been created anything written to the device is ignored and any read from the device returns the identification string as would be expected from a "\*IDN?" of the form

*'Manufacturer,Model,Serial No.,X.xx – Y.yy'*

*for example*

*SORENSEN, XDL 35-5TP, 279730, 1.00 – 1.00*

where 'X.xx' is the revision of the main firmware and 'Y.yy' is the revision of the interface firmware. Interface firmware is user field updateable via the USB port.

---

## VISA Resource Name

Because of the limited support for VXI-11(Discovery Protocol only), the instrument must be referred to by its raw socket information when used in software packages which communicate via a VISA resource name. For example, an instrument at IP address 192.168.1.100 would normally have a VISA resource name of "TCPIP0::192.168.1.100::inst0::INSTR" but for this instrument the name must be modified to read "TCPIP0::192.168.1.100::9221::SOCKET" where 9221 is the TCP port used by this instrument for control and monitoring, see below.

## XML Identification Document URL

As required by the LXI Standard, the instrument provides an XML identification document that can be queried via a GET at "http://<hostname>:80/lxi/identification" that conforms to the LXI XSD Schema (available at <http://www.lxistandard.org/InstrumentIdentification/1.0>) and the W3C XML Schema Standards (<http://www.w3.org/XML/Schema>). This document describes the instrument.

## TCP Sockets

The instrument uses 2 sockets on TCP port 9221 for instrument control and monitoring. Text commands are sent to this port as defined in 'Remote Commands' and any replies are returned via the same port. Any string must be one or more complete commands. Commands may be separated with either semicolons ";" or line feeds. No terminator is required since the TCP frame contains complete commands though commands may be sent with a terminator if desired (it will be ignored). Each command over TCP behaves as if it is terminated with a command terminator (ASCII character 0AH, line feed).

## LAN Error

If a LAN connection is made but an error is detected (e.g. the IP address is the same as another device on the network) then the instrument's LAN lamp (above the Output 2 meters) will be off until the error is corrected. If a LAN error occurs; check and correct the configuration of the instrument; a LAN Configuration Initialise (LCI) mechanism is provided via a recessed switch on the rear panel (marked LAN RESET) to reset the unit to the factory default. The default setting is for the instrument to attempt to obtain settings via DHCP if available or, if DHCP times out (30 seconds), via Auto-IP. In the very unlikely event that an Auto-IP address cannot be found a static IP address of 192.168.0.100 is assigned.

If no physical LAN connection is found at any time the LAN lamp will be off.

## GPIB Interface

The GPIB interface 24-way connector is located on the instrument rear panel. The pin connections are as specified in IEEE Std. 488.1-1987 and the instrument complies with IEEE Std. 488.1-1987 and IEEE Std. 488.2-1987.

## GPIB Subsets

This instrument contains the following IEEE 488.1 subsets:

Source Handshake	SH1
Acceptor Handshake	AH1
Talker	T6
Listener	L4
Service Request	SR1
Remote Local	RL1
Parallel Poll	PP1
Device Clear	DC1
Device Trigger	DT0
Controller	C0
Electrical Interface	E2

---

## GPIB IEEE Std. 488.2 Error Handling – Query Error Register

The IEEE 488.2 UNTERMINATED error (addressed to talk with nothing to say) is handled as follows. If the instrument is addressed to talk and the response formatter is inactive and the input queue is empty then the UNTERMINATED error is generated. This will cause the Query Error bit to be set in the Standard Event Status Register, a value of 3 to be placed in the Query Error Register and the parser to be reset. See the Status Reporting section for further information.

The IEEE 488.2 INTERRUPTED error is handled as follows. If the response formatter is waiting to send a response message and a <PROGRAM MESSAGE TERMINATOR> has been read by the parser or the input queue contains more than one END message then the instrument has been INTERRUPTED and an error is generated. This will cause the Query Error bit to be set in the Standard Event Status Register, a value of 1 to be placed in the Query Error Register and the response formatter to be reset thus clearing the output queue. The parser will then start parsing the next <PROGRAM MESSAGE UNIT> from the input queue. See the Status Reporting section for further information.

The IEEE 488.2 DEADLOCK error is handled as follows. If the response formatter is waiting to send a response message and the input queue becomes full then the instrument enters the DEADLOCK state and an error is generated. This will cause the Query Error bit to be set in the Standard Event Status Register, a value of 2 to be placed in the Query Error Register and the response formatter to be reset thus clearing the output queue. The parser will then start parsing the next <PROGRAM MESSAGE UNIT> from the input queue. See the Status Reporting section for further information.

## GPIB Parallel Poll

Complete parallel poll capabilities are offered on this instrument. The Parallel Poll Enable Register is set to specify which bits in the Status Byte Register are to be used to form the *ist* local message. The Parallel Poll Enable Register is set by the \*PRE <nrf> command and read by the \*PRE? command. The value in the Parallel Poll Enable Register is ANDed with the Status Byte Register; if the result is zero then the value of *ist* is 0 otherwise the value of *ist* is 1.

The instrument must also be configured so that the value of *ist* can be returned to the controller during a parallel poll operation. The instrument is configured by the controller sending a Parallel Poll Configure command (PPC) followed by a Parallel Poll Enable command (PPE). The bits in the PPE command are shown below:

bit 7 =	X	don't care
bit 6 =	1	Parallel poll enable
bit 5 =	1	
bit 4 =	0	
bit 3 =	Sense	sense of the response bit; 0 = low, 1 = high
bit 2 =	?	bit position of the response
bit 1 =	?	
bit 0 =	?	

To return the RQS bit (bit 6 of the Status Byte Register) as a 1 when true and a 0 when false in bit position 1 in response to a parallel poll operation send the following commands

\*PRE 64<pmt>, then PPC followed by 69H (PPE)

The parallel poll response from the instrument will then be 00H if RQS is 0 and 01H if RQS is 1.

During parallel poll response the DIO interface lines are resistively terminated (passive termination). This allows multiple devices to share the same response bit position in either wired-AND or wired-OR configuration, see IEEE 488.1 for more information.



---

## Status Reporting

This section describes the complete status model of the instrument. Note that some registers are specific to the GPIB section of the instrument and are of limited use in an RS232 environment.

### Standard Event Status and Standard Event Status Enable Registers

These two registers are implemented as required by the IEEE Std. 488.2.

Any bits set in the Standard Event Status Register which correspond to bits set in the Standard Event Status Enable Register will cause the ESB bit to be set in the Status Byte Register.

The Standard Event Status Register is read and cleared by the \*ESR? command. The Standard Event Status Enable register is set by the \*ESE <nrf> command and read by the \*ESE? command.

- Bit 7 - Power On. Set when power is first applied to the instrument.
- Bit 6 - Not used.
- Bit 5 - Command Error. Set when a syntax type error is detected in a command from the bus. The parser is reset and parsing continues at the next byte in the input stream.
- Bit 4 - Execution Error. Set when an error is encountered while attempting to execute a completely parsed command. The appropriate error number will be reported in the Execution Error Register.
  - 1- 99 Indicates a hardware error has been encountered.
  - 116 A recall of set up data has been requested but the store specified does not contain any data.
  - 117 A recall of set up data has been requested but the store specified contains corrupted data. This indicates either a hardware fault or a temporary data corruption which can be corrected by writing data to the store again.
  - 120 The numerical value sent with the command was too big or too small. Includes negative numbers where only positive numbers are accepted.
  - 123 A recall/store of set up data has been requested from/to an illegal store number.
  - 124 A range change has been requested but the current psu settings make it illegal – see Manual Operation instructions for details.
  - 200 Read Only: An attempt has been made to change the settings of the instrument from an interface without write privileges, see the Interface Locking section.
- Bit 3 - Verify Timeout Error. Set when a parameter is set with 'verify' specified and the value is not reached within 5 secs, e.g. output voltage is slowed by a large capacitor on the output.
- Bit 2 - Query Error. Set when a query error occurs. The appropriate error number will be reported in the Query Error Register as listed below.
  - 1. Interrupted error
  - 2. Deadlock error
  - 3. Unterminated error
- Bit 1 - Not used.
- Bit 0 - Operation Complete. Set in response to the \*OPC command.

### Limit Event Status Registers and Limit Event Status Enable Registers

Two pairs of registers are implemented as an addition to the IEEE Std.488.2. Each pair consists of a Limit Event Status Register and an accompanying Limit Status Event Enable Register. Limit Event Status Register 1 (LSR1) and Limit Event Status Enable Register 1 (LSE1) apply to output 1. Limit Event Status Register 2 (LSR2) and Limit Event Status Enable Register 2 (LSE2) apply to output 2 and the Auxiliary output. Their purpose is to inform the controller of entry to and/or exit from current or voltage limit conditions by storing a history of protection trip conditions since the last read.

Any bits set in a Limit Event Status Register which correspond to bits set in the accompanying Limit Event Status Enable Register will cause the LIM1 or LIM2 bit to be set in the Status Byte Register.

---

Limit Event Status Registers 1 and 2 are read and cleared by the LSR1? and LSR2? commands respectively. Limit Event Status Enable Registers 1 and 2 are set by the LSE1<nrf> and LSE2<nrf> commands and read by the LSE1? and LSE2? commands respectively.

#### **Limit Event Status Register 1**

- Bit 7 - not used
- Bit 6 - not used
- Bit 5 - Set when an output 1 sense trip has occurred
- Bit 4 - Set when an output 1 thermal trip has occurred
- Bit 3 - Set when an output 1 over current trip has occurred
- Bit 2 - Set when an output 1 over voltage trip has occurred
- Bit 1 - Set when output 1 enters current limit (constant current mode)
- Bit 0 - Set when output 1 enters voltage limit (constant voltage mode)

#### **Limit Event Status Register 2**

- Bit 7 - Set when the Auxiliary output trip has occurred
- Bit 6 - Set when the Auxiliary output enters current limit
- Bit 5 - Set when an output 2 sense trip has occurred
- Bit 4 - Set when an output 2 thermal trip has occurred
- Bit 3 - Set when an output 2 over current trip has occurred
- Bit 2 - Set when an output 2 over voltage trip has occurred
- Bit 1 - Set when output 2 enters current limit (constant current mode)
- Bit 0 - Set when output 2 enters voltage limit (constant voltage mode)

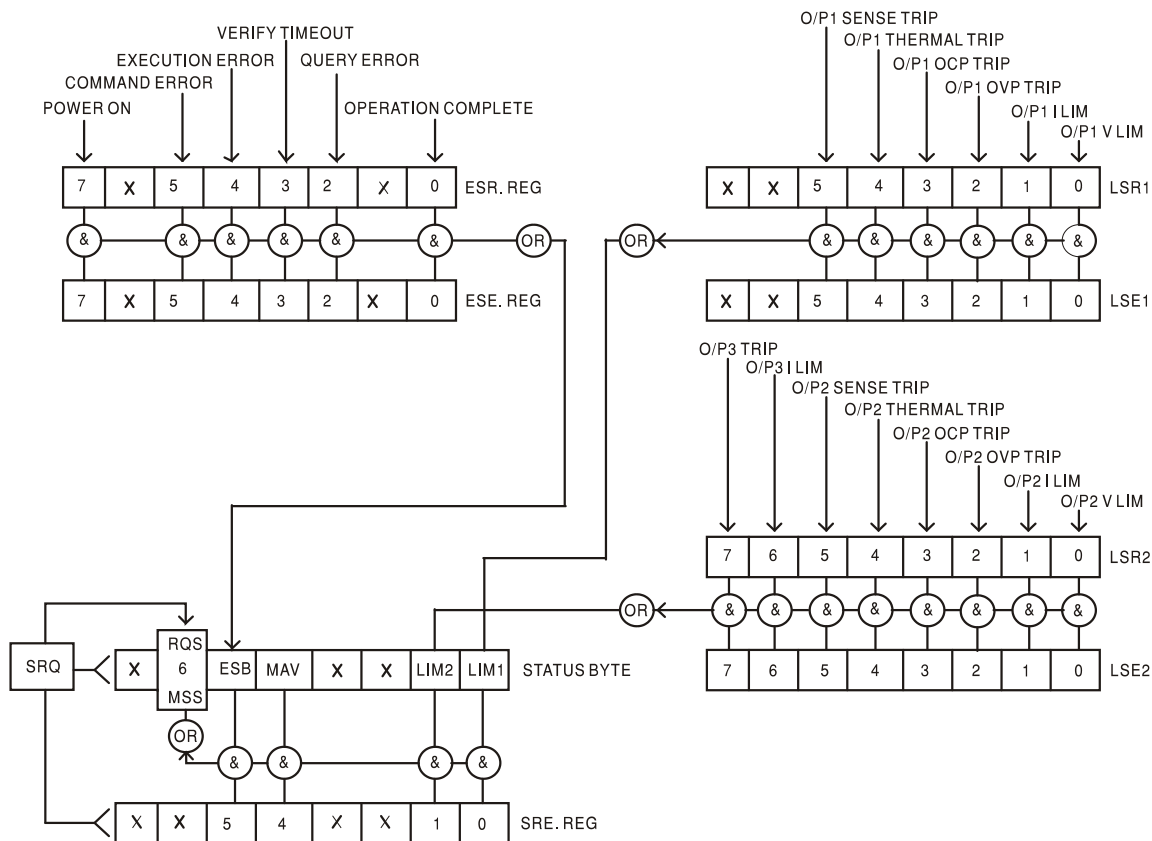
#### **Status Byte Register and Service Request Enable Register**

These two registers are implemented as required by the IEEE Std. 488.2.

Any bits set in the Status Byte Register which correspond to bits set in the Service Request Enable Register will cause the RQS/MSS bit to be set in the Status Byte Register, thus generating a Service Request on the bus.

The Status Byte Register is read either by the \*STB? command, which will return MSS in bit 6, or by a Serial Poll which will return RQS in bit 6. The Service Request Enable register is set by the \*SRE <nrf> command and read by the \*SRE? command.

- Bit 7 - Not used.
- Bit 6 - RQS/MSS. This bit, as defined by IEEE Std. 488.2, contains both the Requesting Service message and the Master Status Summary message. RQS is returned in response to a Serial Poll and MSS is returned in response to the \*STB? command.
- Bit 5 - ESB. The Event Status Bit. This bit is set if any bits set in the Standard Event Status Register correspond to bits set in the Standard Event Status Enable Register.
- Bit 4 - MAV. The Message Available Bit. This will be set when the instrument has a response message formatted and ready to send to the controller. The bit will be cleared after the Response Message Terminator has been sent.
- Bit 3 - Not used.
- Bit 2 - Not used.
- Bit 1 - LIM2. This will be set if any bits in Limit Event Status Register 2 are set and corresponding bits are set in Limit Event Status Enable Register 2.
- Bit 0 - LIM1. This will be set if any bits in Limit Event Status Register 1 are set and corresponding bits are set in Limit Event Status Enable Register 1.



### Status Model

(For single output models ignore LSR2, LSE2 & LIM2)

### Power on Settings

The following instrument status values are set at power on:

Status Byte Register	= 0
Service Request Enable Register †	= 0
Standard Event Status Register	= 128 (pon bit set)
Standard Event Status Enable Register †	= 0
Execution Error Register	= 0
Query Error Register	= 0
Parallel Poll Enable Register †	= 0

† Registers marked thus are specific to the GPIB section of the instrument and are of limited use via other interfaces.

The instrument will be in local state with the keyboard active.

The instrument parameters at power on are the same as at last switch off with the exception of the output status. By default this is always off at power on but the user may change this to the same at power on as at switch off.

The \*RST (reset) command resets the instrument to the Remote Operation Default settings.

Remote Operation Default settings are:

$V_{out}=1V$ ,  $I_{out}=1A$ ,  $\Delta V=0mV$ ,  $\Delta I=0mA$  for all models.

OVP = 40V & OCP = 5.5A for XDL 35-5 models; OVP = 60V & OCP = 4.4A for XDL 56-4 models.

Remote interface settings and Output state at power-on setting are unchanged by \*RST. Remote sense is set to local operation.

---

# Remote Commands

## RS232/USB Remote Command Format

Serial input to the instrument is buffered in a 256 byte input queue which is filled, under interrupt, in a manner transparent to all other instrument operations. The instrument will send XOFF when approximately 200 characters are in the queue. XON will be sent when approximately 100 free spaces become available in the queue after XOFF was sent. This queue contains raw (un-parsed) data which is taken, by the parser, as required. Commands (and queries) are executed in order and the parser will not start a new command until any previous command or query is complete. In RS232 mode responses to commands or queries are sent immediately; there is no output queue.

USB input conforms with USB 2.0 Full Speed.

Commands must be sent as specified in the commands list and must be terminated with the command terminator code 0AH (Line Feed, LF). Commands may be sent in groups with individual commands separated from each other by the code 3BH (;). The group must be terminated with command terminator 0AH (Line Feed, LF).

Responses from the instrument to the controller are sent as specified in the commands list. Each response is terminated by 0DH (Carriage Return, CR) followed by 0AH (Line Feed, LF).

<WHITE SPACE> is defined as character codes 00H to 20H inclusive.

<WHITE SPACE> is ignored except in command identifiers. e.g. '\*C LS' is not equivalent to '\*CLS'.

The high bit of all characters is ignored.

The commands are case insensitive.

## GPIB Remote Command Formats

GPIB input to the instrument is buffered in a 256 byte input queue which is filled, under interrupt, in a manner transparent to all other instrument operations. The queue contains raw (un-parsed) data which is taken, by the parser, as required. Commands (and queries) are executed in order and the parser will not start a new command until any previous command or query is complete. There is no output queue which means that the response formatter will wait, indefinitely if necessary, until the instrument is addressed to talk and the complete response message has been sent, before the parser is allowed to start the next command in the input queue.

Commands are sent as <PROGRAM MESSAGES> by the controller, each message consisting of zero or more <PROGRAM MESSAGE UNIT> elements separated by <PROGRAM MESSAGE UNIT SEPARATOR> elements.

A <PROGRAM MESSAGE UNIT> is any of the commands in the remote commands list.

A <PROGRAM MESSAGE UNIT SEPARATOR> is the semi-colon character ';' (3BH).

<PROGRAM MESSAGES> are separated by <PROGRAM MESSAGE TERMINATOR> elements which may be any of the following:

NL	The new line character (0AH)
NL^END	The new line character with the END message
^END	The END message with the last character of the message

Responses from the instrument to the controller are sent as <RESPONSE MESSAGES>. A <RESPONSE MESSAGE> consists of one <RESPONSE MESSAGE UNIT> followed by a <RESPONSE MESSAGE TERMINATOR>.

A <RESPONSE MESSAGE TERMINATOR> is the new line character with the END message NL^END.

Each query produces a specific <RESPONSE MESSAGE> which is listed along with the command in the remote commands list.

---

<WHITE SPACE> is ignored except in command identifiers. e.g. '\*C LS' is not equivalent to '\*CLS'.  
<WHITE SPACE> is defined as character codes 00H to 20H inclusive with the exception of the NL character (0AH).

The high bit of all characters is ignored.

The commands are case insensitive.

## Command List

This section lists all commands and queries implemented in this instrument. The commands are listed in alphabetical order within the function groups.

Note that there are no dependent parameters, coupled parameters, overlapping commands, expression program data elements or compound command program headers; each command is completely executed before the next command is started. All commands are sequential and the operation complete message is generated immediately after execution in all cases.

The following nomenclature is used:

<rmt>	<RESPONSE MESSAGE TERMINATOR>
<nrf>	A number in any format. e.g. 12, 12-00, 1-2 e1 and 120 e-1 are all accepted as the number 12. Any number, when received, is converted to the required precision consistent with the use then rounded up to obtain the value of the command.
<nr1>	A number with no fractional part, i.e. an integer.
<nr2>	A number in fixed point format e.g. 11-52, 0-78 etc.
<n>	The number of the output or status register to which the command relates. Note that on single output supplies <n>=1 always. Note also that <n>= 3 refers to the AUX output. The AUX output has limited remote control functionality. For clarity, the commands where <n>= 3 can be used are explicitly commented; elsewhere only <n>= 1 or <n>= 2 can be used.

The commands which begin with a \* are those specified by IEEE Std. 488.2 as Common commands. All will function when used on the other interfaces but some are of little use.

## Instrument Specific Commands

For commands specified as 'WITH VERIFY' the operation is completed when the parameter being adjusted reaches the required value to within  $\pm 5\%$  or  $\pm 10$  counts, whichever is the greater. If the value fails to settle within these limits within 5 seconds then the Verify Timeout bit (bit 3) is set in the Standard Event Status Register and the operation is completed at the end of the timeout period.

The Operation Complete bit (bit 0) in the Standard Event Status Register is only ever set by the \*OPC command. The \*OPC (or the \*OPC?) command can be used for device synchronisation due to the sequential nature of remote operations.

When the supply is operated in LINK mode, commands which set values and ranges are applied to outputs 1 and 2 simultaneously, regardless of the whether <n> is set to 1 or 2. When the command requests verification then verification will be sought from both outputs before the command is completed. Additionally the SAV<n> and RCL<n> commands operate on non-volatile memory reserved for linked mode set-ups and <n> may be set to 1 or 2 with the same effect. Note however that <n> is part of the command header and must be included.

V<n> <nrf>	Set output <n> to <nrf> Volts. For AUX output <n>=3
V<n>V <nrf>	Set output <n> to <nrf> Volts with verify. For AUX output <n>=3
OVP<n> <nrf>	Set output <n> over voltage protection trip point to <nrf> Volts
I<n> <nrf>	Set output <n> current limit to <nrf> Amps

---

OCP<n> <nrf>	Set output <n> over current protection trip point to <nrf> Amps
V<n>?	Return the set voltage of output <n> . For AUX output <n>=3 – response is V <n> <nr2><rmt> where <nr2> is in Volts
I<n>?	Return the set current limit of output <n> – response is I <n> <nr2><rmt> where <nr2> is in Amps
OVP<n>?	Return the voltage trip setting for output <n> – response is VP<n> <nr2><rmt> where <nr2> is in Volts
OCP<n>?	Return the current trip setting for output <n> – response is IP<n> <nr2><rmt> where <nr2> is in Amps
V<n>O?	Return the output readback voltage for output <n>. For AUX output <n>=3 – response is <nr2>V<rmt> where <nr2> is in Volts
I<n>O?	Return the output readback current for output <n>. For AUX output <n>=3 – response is <nr2>A<rmt> where <nr2> is in Amps
RANGE<n> <nrf>	Set the voltage range of output <n> to <nrf> where <nrf> has the following meaning: <b>XDL 35-5 Models:</b> 0=15V(5A), 1=35V(3A), 2=35V(500mA) <b>XDL 56-4 Models:</b> 0=25V(4A), 1=56V(2A), 2=56V(500mA)
RANGE<n>?	Return the set voltage range of output <n> – response is R<n> <nr1><rmt> where <nr1> has the following meaning: <b>XDL 35-5 Models:</b> 0=15V(5A), 1=35V(3A), 2=35V(500mA) <b>XDL 56-4 Models:</b> 0=25V(4A), 1=56V(2A), 2=56V(500mA)
DELTA V<n> <nrf>	Set the output <n> voltage step size to <nrf> Volts. For AUX output <n>=3
DELTA I<n> <nrf>	Set the output <n> current step size to <nrf> Amps
DELTA V<n>?	Return the output <n> voltage step size. For AUX output <n>=3 – response is DELTA V<n> <nr2><rmt> where <nr2> is in Volts.
DELTA I<n>?	Return the output <n> current step size – response is DELTA I<n> <nr2><rmt> where <nr2> is in Amps.
INCV<n>	Increment the output <n> voltage by the step size set for output <n>. For AUX output <n>=3
INCV<n>V	Increment with verify the output <n> voltage by the step size set for output <n>. For AUX output <n>=3
DECV<n>	Decrement the output <n> voltage by the step size set for output <n>. For AUX output <n>=3
DECV<n>V	Decrement with verify the output <n> voltage by the step size set for output <n>. For AUX output <n>=3
INCI<n>	Increment the output <n> current limit by the step size set for output <n>
DECI<n>	Decrement the output <n> current limit by the step size set for output <n>
OP<n> <nrf>	Set output <n> on/off where <nrf> has the following meaning: 0=OFF, 1=ON For AUX output <n>=3
OP<n>?	Returns output <n> on/off status. For AUX output <n>=3 The response is <nr1><rmt> where 1 = ON, 0 = OFF.
OPALL <nrf>	Simultaneously sets all outputs on/off where <nrf> has the following meaning: 0=All OFF, 1=ALL ON. If OPALL sets all outputs ON then any that were already on will remain ON. If OPALL sets all outputs OFF then any that were already off will remain OFF

---

---

SENSE<n> <nrf>	Set the output <n> sense mode where <nrf> has the following meaning: 0=local, 1=remote
MODE <nrf>	Set the instrument operating mode to LINK or assign control to output 1 or 2 <nrf> has the following meaning: 0 = linked, 1 = assign control to output 1, 2 = assign control to output 2. Setting linked mode uniquely affects the way the instrument responds to some remote commands. Commands to set Range, Voltage, Current Limit, OVP or OCP sent to either Output 1 or Output 2 will change the setting on both outputs simultaneously. Similarly, increment/decrement commands sent to either Main output will step V or I on both outputs; however, the step size will be that set for the individual output. Assigning control to outputs 1 or 2 exits linked mode but has no other affect until the instrument is returned to local operation. Any operating mode set in remote operation will be retained when the instrument is returned to local operation.
MODE?	Return the current operating mode – response is LINKED or CTRL<n> (control assigned to output <n>)
TRIPRST	Attempt to clear all trip conditions from all outputs
LOCAL	Go to local
IFLOCK	Request interface lock. This command requests exclusive access control of the instrument. The response is 1 if successful or –1 if the lock is unavailable either because it is already in use or the user has disabled this interface from taking control using the web interface
IFLOCK?	Query the status of the interface lock. The return value is 1 if the lock is owned by the requesting interfaced instance; 0 if there is no active lock or –1 if the lock is unavailable either because it is already in use, or the user has disabled this interface from taking control using the web interface.
IFUNLOCK	Release the lock if possible. This command returns the value 0 if successful. If this command is unsuccessful –1 is returned, 200 is placed in the Execution Register and bit 4 of the Event Status Register is set indicating that there is no authority to release the lock.
LSR<n>?	Query and clear LSR<n>, limit status register <n> – response is <nr1><rmt>
LSE<n> <nrf>	Set the value of LSE<n>, limit status enable register <n>, to <nrf>
LSE<n>?	Return the value of LSE<n>, limit status enable register <n> – response is <nr1><rmt>
SAV<n> <nrf>	Save the current set-up of output <n> to the set-up store specified by <nrf> where <nrf> can be 0-49 for the main outputs or 0-9 for the AUX output on TP models. For AUX output <n>=3. If the instrument is operating in linked mode then the entire instrument set-up (excluding auxiliary output) will be stored in the linked mode set-up store specified by <nrf>. The <n> specification is ignored. This has no affect on the individual PSU<n> set-up stores available when not in linked mode
RCL<n> <nrf>	Recall a set up for output <n> from the set-up store specified by <nrf> where <nrf> can be 0-49 for the main outputs or 0-9 for the AUX output on TP models. For AUX output <n>=3. If the instrument is operating in LINK mode then the entire instrument set-up (excluding AUX output) will be recalled from the LINK mode set-up store specified by <nrf>. The <n> specification is ignored.

---

---

## System and Status Commands

*RST	Resets the instrument to the factory default settings – (see Factory Defaults section) with the exception of all remote interface settings.
EER?	Query and clear Execution Error Register. The response format is nr1<rmt>.
QER?	Query and clear Query Error Register. The response format is nr1<rmt>
*CLS	Clear Status. Clears the Standard Event Status Register, Query Error Register and Execution Error Register. This indirectly clears the Status Byte Register.
*ESE <nrf>	Set the Standard Event Status Enable Register to the value of <nrf>.
*ESE?	Returns the value in the Standard Event Status Enable Register in <nr1> numeric format. The syntax of the response is <nr1><rmt>
*ESR?	Returns the value in the Standard Event Status Register in <nr1> numeric format. The register is then cleared. The syntax of the response is <nr1><rmt>
*IST?	Returns <b>ist</b> local message as defined by IEEE Std. 488.2. The syntax of the response is 0<rmt>, if the local message is false, or 1<rmt>, if the local message is true.
*OPC	Sets the Operation Complete bit (bit 0) in the Standard Event Status Register. This will happen immediately the command is executed because of the sequential nature of all operations.
*OPC?	Query Operation Complete status. The syntax of the response is 1<rmt>. The response will be available immediately the command is executed because of the sequential nature of all operations.
*PRE <nrf>	Set the Parallel Poll Enable Register to the value <nrf>.
*PRE?	Returns the value in the Parallel Poll Enable Register in <nr1> numeric format. The syntax of the response is <nr1><rmt>
*SRE <nrf>	Set the Service Request Enable Register to <nrf>.
*SRE?	Returns the value of the Service Request Enable Register in <nr1> numeric format. The syntax of the response is <nr1><rmt>
*STB?	Returns the value of the Status Byte Register in <nr1> numeric format. The syntax of the response is <nr1><rmt>
*WAI	Wait for Operation Complete true. As all commands are completely executed before the next is started this command takes no additional action.

## Miscellaneous Commands

*IDN?	Returns the instrument identification. The exact response is determined by the instrument configuration and is of the form <NAME>,<model>, 0, <version><rmt> where <NAME> is the manufacturer's name, <model> defines the type of instrument and <version> is the revision level of the software installed.
ADDRESS?	Returns the bus address of the instrument. The syntax of the response is <nr1><rmt>.
*TST?	The PSU has no self test capability and the response is always 0 <rmt>
*TRG	The PSU has no trigger capability.

## Error Messages

Each error message has a number; only this number is reported via the remote control interfaces. Error message numbers are not displayed but are placed in the Execution Error Register where they can be read via the remote interfaces, see Status Reporting section.



# Calibration

Routine calibration is carried out without opening the instrument.  
Allow a 10 minute warm-up before commencing calibration.

## Equipment Required

A 5.5 digit multimeter with better than 0.02% accuracy on dc volts and better than 0.12% accuracy on dc current (to 5A); alternatively use a precision shunt for current measurement. An electronic load set to approximately 2.7A, or a 1.8Ω 15W resistor, for AUX Output calibration.

## Calibration

The calibration procedure is essentially the same for both single and triple output models. For triple models first assign CONTROL to Output 1 and follow the procedure described to calibrate Output 1; this procedure also includes the calibration of the AUX Output in steps 17 to 22. On completion, assign CONTROL to Output 2 and calibrate Output 2 (steps 1 to 16 only). Single models only use steps 1 to 16.

To enter calibration press SHIFT, #, 99. If the instrument is a long way out of calibration, the default calibration values should be loaded first by pressing SHIFT, #, 91. Pressing ESCAPE at any time will abort the calibration procedure and revert to the stored calibration values.

Having entered calibration mode, follow the table below. To increment to the next step press OK. The calibration **must** be done in sequence. At the end of calibration press OK to store the calibration. The instrument automatically sets the range and settings at each step.

Use the spin-wheel to adjust calibration; holding down the JOG SET OFF key will give x100 increments to speed up calibration. Pressing SHIFT will show the calibration value.

## XDL35-5, XDL35-5P, XDL35-5T & XDL35-5TP

Step/Range	Settings	Adjust for:-	Load	Detail
1, 35V 3A	0.01V 3A	10mV ± 0.5mV	DVM	o/p 0V
2, 35V 3A	0.01V 3A	0.010V on display	DVM	V readback zero
3, 35V 3A	35V 3A	35V ± 0.5mV	DVM	o/p V span
4, 35V 3A	35V 3A	35.000 on display	DVM	V readback span
5, 35V 3A	0.01V 3A	10mV ± 0.5mV	DVM	o/p 0V
6, 35V 3A	35V 3A	35V ± 0.5mV	DVM	o/p V span
7, 35V 3A	2V 0.001A	1mA ± 0.5mA	milli-ammeter	o/p A offset
8, 35V 3A	2V 0.001A	0.001 on display	milli-ammeter	A readback zero
9, 35V 500mA	2V 0.1mA	0.1mA ± 0.05mA	milli-ammeter	o/p mA offset
10, 35V 500mA	2V 0.1mA	flashing 0.0/0.1 on display	milli-ammeter	mA readback zero
			change load	
11, 15V 5A	2V 4A	4A ± 0.5mA	ammeter	o/p A span
12, 15V 5A	2V 4A	4.000 on display	ammeter	A readback span
13, 15V 5A	2V 4.1A	4.100 on display	ammeter	A readback 13bit
14, 35V 500mA	2V 400mA	400mA ± 0.05mA	ammeter	o/p mA span
15, 35V 500mA	2V 400mA	400.0 on display	ammeter	mA readback span
16, 35V 500mA	2V 410mA	410.0 on display	ammeter	mA readback 13bit

Continued....

Step/Range	Settings	Adjust for:-	Load	Detail
17, Aux o/p	5V	5.00V $\pm$ 10mV	DVM	o/p V span
18, Aux o/p	5V	5.00V on display	DVM	V readback
19, Aux o/p	1V	1.00V on display	DVM	V readback
20, Aux o/p	5V	5.00V $\pm$ 0.5mV	DVM	V readback
21, Aux o/p	off	0.000 flashing 0.001		A readback zero
22, Aux o/p	5V	Display equals load setting or ammeter	2.7A load, or 1.8 $\Omega$ in series with ammeter	A readback

### XDL 56-4, XDL 56-4P, XDL 56-4T & XDL56-4TP

Step/Range	Settings	Adjust for:-	Load	Detail
1, 56V 2A	0.01V 2A	10mV $\pm$ 0.5mV	DVM	o/p 0V
2, 56V 2A	0.01V 2A	0.010V on display	DVM	V readback zero
3, 56V 2A	35V 2A	35V $\pm$ 0.5mV	DVM	o/p V span
4, 56V 2A	35V 2A	35.000 on display	DVM	V readback span
5, 56V 2A	41V 2A	41.000 on display	DVM	V readback 13bit
6, 56V 2A	0.01V 2A	10mV $\pm$ 0.5mV	DVM	o/p 0V
7, 56V 2A	35V 2A	35V $\pm$ 0.5mV	DVM	o/p V span
8, 56V 2A	2V 0.001A	1mA $\pm$ 0.5mA	milli-ammeter	o/p A offset
9, 56V 2A	2V 0.001A	0.001 on display	milli-ammeter	A readback zero
10, 56V 500mA	2V 0.1mA	0.1mA $\pm$ 0.05mA	milli-ammeter	o/p mA offset
11, 56V 500mA	2V 0.1mA	flashing 0.0/0.1 on display	milli-ammeter	mA readback zero
			change load	
12, 25V 4A	2V 4A	4A $\pm$ 0.5mA	ammeter	o/p A span
13, 25V 4A	2V 4A	4.000 on display	ammeter	A readback span
14, 56V 500mA	2V 400mA	400mA $\pm$ 0.05mA	ammeter	o/p mA span
15, 56V 500mA	2V 400mA	400.0 on display	ammeter	mA readback span
16, 56V 500mA	2V 410mA	410.0 on display	ammeter	mA readback 13bit
17, Aux o/p	5V	5.00V $\pm$ 10mV	DVM	o/p V span
18, Aux o/p	5V	5.00V on display	DVM	V readback
19, Aux o/p	1V	1.00V on display	DVM	V readback
20, Aux o/p	5V	5.00V $\pm$ 0.5mV	DVM	V readback
21, Aux o/p	off	0.000 flashing 0.001		A readback zero
22, Aux o/p	5V	Display equals load setting or ammeter	2.7A load, or 1.8 $\Omega$ in series with ammeter	A readback

---

# Maintenance

The Manufacturers or their agents overseas will provide a repair service for any unit developing a fault. Where owners wish to undertake their own maintenance work, this should only be done by skilled personnel in conjunction with the Service Guide which may be purchased directly from the Manufacturers or their agents overseas.

## Cleaning

If the instrument requires cleaning use a cloth that is only lightly dampened with water or a mild detergent.

**WARNING! TO AVOID ELECTRIC SHOCK, OR DAMAGE TO THE INSTRUMENT, NEVER ALLOW WATER TO GET INSIDE THE CASE. TO AVOID DAMAGE TO THE CASE NEVER CLEAN WITH SOLVENTS.**

Ce système alimentation est un instrument de classe de sécurité 1 conforme à la classification IEC et il a été conçu pour satisfaire aux exigences de la norme EN61010-1 (Exigences de sécurité pour les équipements électriques de mesure, de contrôle et d'utilisation en laboratoire). Il s'agit d'un instrument de Catégorie II d'installation devant être exploité depuis une alimentation monophasée standard.

Cet instrument a été testé conformément à la norme EN61010-1 et il a été fourni en tout état de sécurité. Ce manuel d'instructions contient des informations et des avertissements qui doivent être suivis par l'utilisateur afin d'assurer un fonctionnement et un état en toute sécurité.

Cet instrument a été conçu pour être utilisé en intérieur, en environnement de pollution de deuxième degré (Pollution degree 2) à des plages de températures de 5°C à 40°C, et à des taux d'humidité compris entre 20% et 80% (sans condensation). Il peut être soumis de temps à autre à des températures comprises entre +5°C et -10°C sans dégradation de sa sécurité. Ne pas l'utiliser en conditions de condensation.

Toute utilisation de cet instrument de manière non spécifiée par ces instructions risque d'affecter sa protection de sécurité. Ne pas utiliser l'instrument hors des plages de tension d'alimentation nominale recommandées ni hors de ses tolérances d'environnement.

## AVERTISSEMENT ! CET INSTRUMENT DOIT ETRE RELIE A LA TERRE

Toute interruption du conducteur de la terre du secteur à l'intérieur ou à l'extérieur de l'instrument rendra l'instrument dangereux. Il est absolument interdit de priver intentionnellement l'instrument de son branchement à la terre. La sécurité de l'instrument ne doit pas être annulée par l'utilisation de rallonge sans conducteur de protection.

Lorsque l'instrument est relié au secteur, il est possible que les bornes soient sous tension : l'ouverture des couvercles ou la dépose de pièces (à l'exception des pièces accessibles manuellement) risque de mettre à découvert des pièces sous tension. L'instrument doit être débranché du secteur et de toute source d'alimentation avant tout réglage, remplacement, travaux d'entretien ou de réparations.

Les condensateurs qui se trouvent dans le bloc d'alimentation risquent de rester chargés, même si le bloc d'alimentation a été déconnecté de toutes les sources d'alimentation, mais ils se déchargeront en toute sécurité environ 10 minutes après extinction de l'alimentation.

Eviter dans la mesure du possible d'effectuer des réglages, travaux de réparations ou d'entretien lorsque l'instrument ouvert est branché au secteur. Si cela s'avère toutefois indispensable, seul un technicien compétent connaissant les risques encourus doit effectuer ce genre de travaux.

S'il est évident que l'instrument est défectueux, qu'il a été soumis à des dégâts mécaniques, à une humidité excessive ou à une corrosion chimique, la protection de sécurité est affaiblie : l'instrument doit être retiré de l'exploitation et renvoyé vérifications et de réparations.

Ne remplacer les fusibles que par des fusibles d'intensité nominale requise et du type spécifié. Il est interdit d'utiliser des fusibles "maison" et de court-circuiter des porte-fusibles.

Ne jamais humidifier l'instrument lors du nettoyage.

Les symboles suivants se trouvent sur l'instrument, ainsi que dans ce manuel.



Borne de terre (masse)



alimentation secteur ON (allumée)



courant continu (c.c.)



alimentation secteur OFF (éteinte)

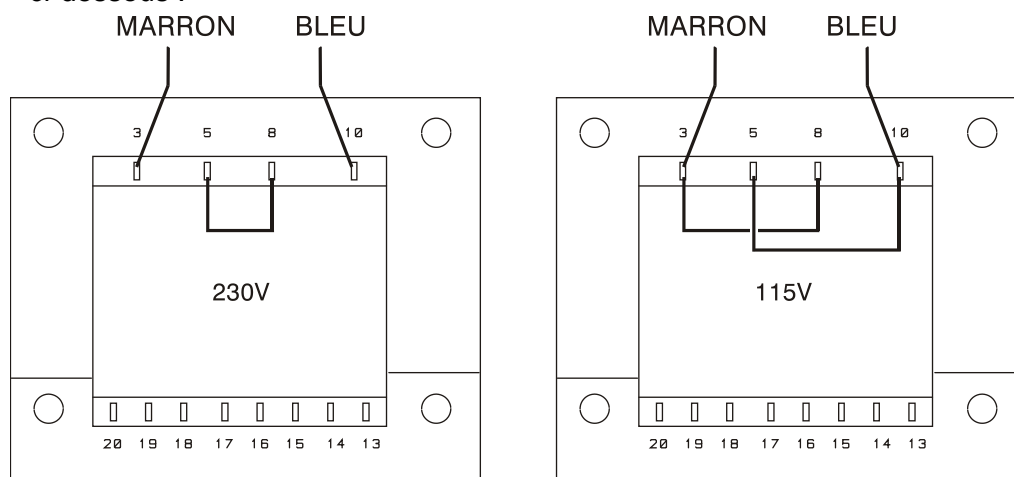


courant alternatif (c.a.)

# Installation

Vérifier que la tension de fonctionnement de l'instrument portée sur le panneau arrière convient à l'alimentation locale. En cas de nécessité de changer de tension de fonctionnement, procéder comme suit :

- 1) Déconnecter l'instrument de toutes les sources de tension.
- 2) Déposer les vis qui retiennent le couvercle supérieur et soulever ce dernier.
- 3) Modifier les connexions sur les deux transformateurs en suivant le schéma approprié ci-dessous :



- 4) Remonter le couvercle et le fixer à l'aide des mêmes vis.
- 5) Pour se conformer aux exigences des normes de sécurité, la tension de fonctionnement portée sur le panneau arrière doit être modifiée pour indiquer clairement le réglage de tension.
- 6) Changez les trois fusibles avec le correct type indiqué, voir ci-dessous.

## Fusible

Le fusible CA se trouve dans le tiroir porte-fusible dans la partie inférieure du connecteur d'entrée IEC. Pour changer de fusible, retirer le cordon et ouvrir le tiroir porte-fusible à l'aide d'un outil adapté.

*XDL 35-5, XDL 35-5P, XDL 56-4 et XDL 56-4P*

Le type correct de fusible secteur est 20 x 5 mm 250 V HBC à retardement, avec le calibre suivant :

Pour un fonctionnement à 230 V : 1,6 A (T) 250 V HBC

Pour un fonctionnement à 115 V : 3,15 A (T) 250 V HBC

*XDL 35-5T, XDL 35-5TP, XDL 56-4T et XDL 56-4TP*

Le type correct de fusible secteur est 20 x 5mm 250V HBC à retardement, avec le calibre suivant:

Pour un fonctionnement à 230V : 2A (T) 250V HBC

Pour un fonctionnement à 115V : 4A (T) 250V HBC

De plus, les deux transformateurs sont chacun munis d'un fusible individuel qui sont situés dans la boîte d'alimentation. Pour accéder à ces fusibles, démontez le couvercle comme expliqué ci-dessus ; les deux fusibles sont reliés au petit PCB qui est directement branché sur les fiches du connecteur IEC.

Les fusibles sont du type 20 x 5mm, 250V, retard HBC avec les tensions suivantes :

Pour un fonctionnement à 230V : 1.6A (T) 250V HBC

Pour un fonctionnement à 115V : 3.15A (T) 250V HBC

Veiller à n'utiliser que des fusibles de l'ampérage requis et du type spécifié pour le remplacement. L'utilisation de fusibles de fortune et la mise en court-circuit des portes-fusibles sont interdits.

---

## Cordon secteur

Brancher l'appareil sur l'alimentation secteur à l'aide du cordon secteur fourni. S'il s'avère nécessaire d'utiliser une fiche secteur destinée à un autre type de prise murale, employer un cordon secteur correctement dimensionné et homologué en l'équipant de la fiche murale voulue et d'un connecteur IEC60320 C13 du côté de l'appareil. Pour déterminer l'intensité nominale minimale du cordon en fonction de l'alimentation sur secteur prévue, consulter les caractéristiques de puissance nominale figurant sur le matériel ou dans le chapitre Spécifications.

### **AVERTISSEMENT ! CET INSTRUMENT DOIT ÊTRE RELIÉ À LA TERRE**

Toute interruption du conducteur de terre secteur à l'intérieur ou à l'extérieur de l'appareil rendra ce dernier dangereux. Il est interdit d'effectuer une coupure intentionnelle.

## Montage

Cet instrument convient à la fois à l'utilisation sur établi et au montage en baie. Il est livré avec des pieds pour le montage sur établi. Les pieds avant comprennent un mécanisme de basculement pour obtenir l'angle optimal du panneau.

Un kit baie est disponible auprès des constructeurs ou de leurs agents à l'étranger pour le montage des unités d'alimentation électrique série XDL. La baie acceptera 1, 2 ou 3 unités simples ou une unité triple et une simple ; une pièce d'obturation est également disponible pour les positions non-utilisées de la baie.

## Ventilation

L'alimentation électrique est refroidie par un ventilateur intelligent à vitesses multiples qui ventile à l'arrière. Prendre soin de ne pas limiter les arrivées d'air sur les panneaux latéraux ou la sortie d'air à l'arrière. Dans les situations de montage en baie, laisser un espace adéquat autour de l'instrument et/ou utiliser un bloc ventilateur pour un refroidissement forcé.

---

# Connexions

## Connexions du panneau avant

Les charges devront être connectées aux bornes positive (rouge) et négative (noire) repérées OUTPUT 1, OUTPUT 2, ou AUX.

Les connexions de détection à distance aux charges sur les Sorties 1 ou 2, si nécessaire, se font à partir des bornes de détection à distance REMOTE SENSE positive (+) et négative (-) correspondantes. Le fonctionnement en détection à distance est sélectionné à partir du clavier ou par l'intermédiaire d'une interface de télécommande (modèles P uniquement) ; le témoin REMOTE SENSE est allumé lorsque la détection à distance est sélectionnée. Eteindre la détection à distance renvoie l'instrument à la détection locale sur les bornes de sortie.

La borne marquée  est connectée au châssis et à la terre de sécurité.

## Connexions du panneau arrière

### Bornes de sorties principales (modèles P uniquement)

Les bornes de sortie et de détection sont doublées sur le bornier à vis du panneau arrière avec les repères Output +, Output -, Sense + et Sense - ; ces connexions sont en parallèle avec leurs équivalents du panneau avant.

Le fonctionnement en détection à distance est sélectionné à partir du clavier ou par l'intermédiaire d'une interface de télécommande. Si l'on utilise les bornes du panneau arrière, la détection à distance devra toujours être sélectionnée pour assurer que la régulation de sortie sera maintenue dans les spécifications.

### Bornes de sorties auxiliaires (modèles T uniquement)

Les bornes AUX OUTPUT du panneau avant sont doublées sur le panneau arrière avec des bornes sans vis portant les repères AUXILIARY OUTPUT.

---

## Sorties alarme

Des connecteurs encastrés à 2 broches libellés Alarm sont associés à chaque sortie principale. Ceux-ci offrent un accès au transistor de commutation NPM opto-isolé dont la fonction peut être réglée au moyen du clavier. Voir le chapitre sortie alarme de ce manuel.

La tension maximale de fonctionnement pouvant être appliquée aux bornes est de 20 V DC et le courant dissipé maximal en cas de « fermeture » de l'interrupteur est de 1 mA.



Ne pas appliquer entre les bornes de tensions externes de plus de 30V CC.

## RS232 (modèles P uniquement)

Connecteur en D femelle à 9 broches dont le brochage est indiqué ci-dessous. Peut être connecté à un port PC standard à l'aide d'un câble 1:1 mâle femelle entièrement câblé sans connexion croisée.

Broche	Nom	Description
1	RI	Assertion passive (+V à travers 10 k $\Omega$ )
2	TXD	Données transmises par l'instrument
3	RXD	Données reçues à l'instrument
4	CTS	
5	GND	Terre du signal
6	RTS	Assertion passive (+V à travers 10 k $\Omega$ )
7	DSR	Aucune connexion interne
8	DTR	
9	CD	Aucune connexion interne

La terre du signal est connectée à la masse de l'appareil.

## USB (modèles P uniquement)

Le port USB est connecté à la masse de l'appareil. Il est compatible avec le standard USB 2.0 (Full Speed) et accepte les câbles USB standard. La fonction « Plug & Play » de Windows devrait automatiquement reconnaître que l'appareil a été connecté. Si le bon pilote n'est pas détecté, suivez les instructions Windows à l'écran et installez les fichiers requis qui se trouvent sur le CD fourni avec l'appareil.

## LAN (modèles P uniquement)

L'interface LAN (réseau local) est conçue pour répondre aux critères LXI (Lan eXtensions for Instrumentation) de version 1.2 ; l'appareil est conforme aux critères de Classe C. Il est possible d'utiliser l'interface LAN à distance à l'aide d'un protocole de prise TCP/IP. L'appareil contient également un serveur Web de base qui fournit des informations sur l'appareil et permet de le configurer. Comme il est possible de mal configurer l'interface LAN et ainsi d'empêcher toute communication avec l'appareil sur le réseau local, il existe un mécanisme LAN Configuration Initialise (Configuration et Initialisation du Réseau Local) (LCI) accessible au moyen d'un commutateur encastré dans le panneau arrière (appelé LAN RESET) qui permet de réinitialiser l'appareil afin de retourner aux réglages par défaut d'usine.

Se reporter au chapitre Remote Operation (Commandes distantes) pour de plus amples informations. Pour de plus amples informations sur les standards LXI, se référer au site [www.lxistandard.org/home](http://www.lxistandard.org/home)

## GPIB (modèles P uniquement)

Les terres de signal GPIB sont connectées à la masse de l'appareil. Les sous-ensembles mis en œuvre sont les suivants :

SH1 AH1 T6 TE0 L4 LE0 SR1 RL2 PP1 DC1 DT0 C0 E2

L'adresse GPIB est réglée à partir du panneau avant.

---

# Utilisation initiale

Cette section du manuel est une introduction générale aux commandes et au fonctionnement de l'instrument et est censée être lue avant d'utiliser le générateur pour la première fois.

Dans ce manuel, les touches, connexions et indicateurs d'affichage du panneau avant sont présentés en lettres capitales, par ex. STORE (enregistrer), ESCAPE (échap.), OUTPUT (sortie), JOG (avance pas à pas). Les messages présentés sur l'afficheur à 7 segments sont imprimés dans une police différente, par ex. **Store**, **GPiB**, **trip** en majuscules ou minuscules pour représenter les caractères tels qu'ils apparaissent sur l'afficheur à 7 segments.

## Mise en marche, Marche/Arrêt de sortie

L'interrupteur d'alimentation se trouve en bas à gauche du panneau avant.

A la mise sous tension, le comportement par défaut est la restauration des réglages de l'instrument tels qu'ils ont été automatiquement sauvegardés lors de la mise hors tension de l'appareil, mais avec toutes les Sorties toujours coupées. Cependant, l'utilisateur peut modifier le paramètre par défaut de façon à ce que les Sorties sélectionnées soient restaurées à la mise sous tension à leur statut à la mise hors tension, voir la section Fonctions Supplémentaires.

Les sorties CC sont commutée de façon électronique avec leurs touches ON/OFF (Marche/Arrêt) respective ; la touche s'allume quand la sortie est active. De plus, toutes les sorties peuvent être activées ou désactivées à l'aide des touches ALL ON (marche tout) et ALL OFF (arrêt tout).

## Commutation Marche/Arrêt synchronisée des sorties (modèles T uniquement)

Appuyer sur ALL OFF à tout moment va couper de façon synchronisée toutes les sorties actives; dans les mêmes conditions de charge, les sorties se couperont en general en 1ms les unes des autres. Une fois toutes les sorties coupées la touche ALL OFF s'allume en vert. Appuyer sur la touche ALL ON lorsque toutes les sorties sont coupées va toutes les activer de façon synchronisée ; les sorties dont les réglages et les conditions de charge sont identiques s'allumeront en general en 1ms les unes des autres. Cependant, si une sorties est déjà active, appuyer sur ALL ON activera le reste des sorties mais le délai d'allumage entre les sorties pourra atteindre 80ms, même avec les mêmes réglages de sortie et les mêmes conditions de charge.

## Clavier

Seuls les principes de fonctionnement sont définis ici, le réglage des paramètres individuels est donné en détail dans les sections ultérieures.

La considération essentielle dans la conception de l'interface utilisateur a été de rendre les changements de réglages aussi 'sûrs' que possible (c'est à dire avec un risque minime d'appliquer accidentellement des tensions excessives à un système cible) tout en parvenant à la facilité d'utilisation. Ceci a été réalisé en demandant à l'utilisateur de confirmer (OK) les nouveaux réglages numériques, avec l'option ESCAPE pour s'échapper à tout moment ou même simplement marquer une pause jusqu'à ce que l'opération arrive à échéance et que l'instrument retourne à ses réglages d'origine.

De plus un bruiteur, des touches illuminées, des indicateurs à DEL et des messages à l'affichage invitent, guident ou avertissent l'utilisateur de façon à minimiser les erreurs de saisie ou de commande. Lorsque certaines de ces caractéristiques (par ex. bips ou indicateurs clignotants) sont considérées inutiles par les utilisateurs réguliers, il existe l'option de les désactiver, voir la section Fonctions supplémentaires.

Sur les modèles à trois sorties (T), la possibilité de changer les réglages au clavier ou en utilisant les commandes d'avance pas à pas est assignée à la sortie 1, la sortie 2 ou les deux en utilisant les touches ◀ CONTROL ▶ 1, 2 ou LINK respectivement. La touche (1 ou 2) associée à la sortie sélectionnée s'allume pour montrer quelle sortie est sous contrôle. En mode LINK, liaison, (les deux touches allumées) les deux sorties sont contrôlées en même temps, y compris certaines des opérations accessibles avec la touche Shift (RANGE, STORE, RECALL et V x A). Les plus amples descriptions qui suivent s'appliquent à l'une ou l'autre des sorties principales ou aux deux le cas échéant pour le réglage indiqué par l'éclairage des touches ◀ CONTROL ▶ .

Dans les conditions normales, le clavier numérique est désactivé ; le bruiteur émettra un double bip si l'on appuie sur une touche, indiquant une opération illégale. Pour régler la tension ou



---

l'intensité avec le clavier, appuyer sur la touche NUMERIC SET V ou I (réglage numérique) ; l'affichage approprié donne 0,000V ou 0,000A, le chiffre à gauche de la virgule décimale clignotant. Les chiffres sont saisis en réponse à l'invite clignotante, ainsi que la virgule décimale au moment approprié, et la saisie est confirmée avec la touche OK. Si l'on n'appuie pas sur la touche OK dans les 10 secondes qui suivent l'utilisation de la dernière touche numérique, la saisie est annulée et l'affichage revient à sa présentation d'origine. Si l'on appuie sur ESCAPE n'importe où dans la procédure de saisie, la saisie est annulée et l'affichage revient à sa présentation d'origine.

La touche OK est utilisée pour confirmer la plupart des entrées au clavier. Le reste du temps, elle devient la touche VIEW V/I LIMITS (voir les limites V/I) et appuyer sur cette touche affichera la limite de tension et d'intensité de sortie pré-réglées pendant 3 secondes ; durant cette période, l'indicateur LIM clignote sur l'afficheur.

Appuyer sur SHIFT illumine la touche et donne accès aux fonctions marquées au-dessus des touches numériques (par ex. STORE, RECALL (rappeler), etc.). Lorsque l'on sélectionne une fonction en appuyant sur l'une de ces touches, SHIFT est annulé (la touche SHIFT n'est plus allumée). Les actions sur les autres touches nécessaires pour mener à bien la fonction sélectionnée sont décrites en détail dans les sections qui suivent ; si aucune touche n'est actionnée dans les 10 secondes pour réaliser la fonction, celle-ci prendra fin comme si l'on avait appuyé sur ESCAPE. SHIFT est une touche à basculement : appuyer de nouveau sur SHIFT quand elle a été sélectionnée annule son effet. SHIFT est également annulé par ESCAPE, ou en appuyant sur SET V (régler V) ou SET I (régler I). Noter qu'en mode LINK les réglages accessibles avec STORE et RECALL sont spécifiques au mode LINK et s'ajoutent à ceux accessibles lorsque STORE et RECALL sont utilisées sur les sorties sélectionnées individuellement.

## Commande pas à pas

La commande rotative 'pas à pas' permet d'incrémenter ou de décrémente la limite de tension ou d'intensité de sortie par pas avec une résolution réglée par les touches JOG SET (régler pas à pas) ; la sortie suit immédiatement le réglage, c'est à dire qu'il n'y a pas besoin de OK.

A la mise sous tension, la fonction pas à pas est toujours désactivée. Pour régler pas à pas la tension ou l'intensité, appuyer sur la touche JOG SET V ou I ; la touche s'illumine et l'indicateur JOG va clignoter sous le chiffre qui a été utilisé le dernier en pas à pas. Tant que la touche JOG SET V ou I est allumée, chaque nouvel appui sur la touche V ou I déplace l'indicateur JOG d'un chiffre sur la gauche ; la sélection 'tourne sur elle-même' de telle sorte que, quand la plus grande valeur d'incrément pas à pas a été atteinte, l'appui suivant la renvoie à la plus basse. La position par défaut à la mise sous tension est sous le chiffre le moins significatif, c'est à dire que le plus faible incrément pas à pas est sélectionné.

Tourner la molette rotative dans le sens horaire ou antihoraire incrémente ou décrémente le chiffre sélectionné ; les chiffres à gauche de celui qui est réglé pas à pas sont automatiquement incrémentés ou décrementés lorsque le point de passage à la dizaine supérieure ou inférieure est franchi. Les chiffres à droite de celui que l'on règle pas à pas restent inchangés jusqu'à ce que le réglage pas à pas franchisse le maximum ou le minimum de la plage, auquel cas ils sont réglés à zéro. Sur le modèle XDL 35-5, par exemple, 33,65V passe à 34,65V puis à 35,00V pour la plage 35V avec un incrément pas à pas de 1V ; 0,160A passe à 0,060A puis à 0,001A pour un décrement pas à pas de 0,1A.

Les pas de réglage que l'on peut sélectionner pour la plage principale sont 1 mV, 10 mV, 100 mV et 1 mA, 10 mA, 100 mA ; si la plage 500 mA a été sélectionnée, les pas d'incrémentations d'intensité seront 0,1 mA, 1 mA et 10 mA.

Pour désactiver la molette rotative pas à pas, appuyer sur la touche JOG SET OFF (désactivation du pas à pas) ; resélectionner JOG SET V ou I permettra de revenir en pas à pas sur la position du dernier chiffre utilisé. Le pas à pas n'est pas annulé par l'utilisation de la saisie numérique ni par une des fonctions SHIFT, mais il est désactivé tant que cette fonction est activée.

Lorsque l'instrument est en mode de tension constante avec la sortie sur la droite, l'affichage montre l'intensité réelle plutôt que la limite d'intensité. Si on sélectionne JOG SET I, l'indicateur JOG va clignoter à mi-vitesse sous le chiffre sélectionné (clignotement 'paresseux'). Pour

---

observer l'effet du réglage pas à pas de la limite d'intensité, il sera nécessaire soit de couper la sortie (de façon à ce que l'affichage montre de façon permanente la limite de sortie), soit appuyer sur VIEW V/I LIMITS, ce qui provoque l'affichage de la limite d'intensité encore 3 secondes après que le mouvement de la molette pas à pas cesse. Le clignotement 'paresseux' est également utilisé lorsque JOG SET V a été sélectionné et que la tension réelle est présentée parce que l'alimentation a atteint la limite d'intensité.

Le réglage par défaut d'usine est le clignotement de l'indicateur JOG sous le chiffre sélectionné tout le temps que le réglage pas à pas est sélectionné, de façon à rappeler constamment à l'utilisateur le paramètre qui peut être incrémenté ou décrétementé. Lorsque ce degré de rappel est considéré inadéquat, l'utilisateur peut sélectionner, à l'aide des Fonctions supplémentaires, de faire clignoter le chiffre lui-même ; à l'opposé, lorsque le clignotement est considéré intrusif, l'utilisateur peut choisir de ne pas faire clignoter l'indicateur JOG (excepté lorsque le clignotement 'paresseux' est utilisé).

## Affichage

Les affichages montrent la tension sur la gauche (5 chiffres) et l'intensité sur la droite (4 chiffres) pour les deux sorties principales. Ces affichages à 7 segments sont également utilisés pour présenter des invites lors de certains réglages de fonctions (par ex. l'enregistrement ou le rappel en mémoire ou le réglage d'adresses de télécommande) à l'aide du 'jeu de caractères' limité qui peut être obtenu avec un affichage à 7 segments ; il s'agit nécessairement d'un mélange de lettres majuscules et minuscules.

Au-dessus et au-dessous de l'affichage à 7 segments se trouvent plusieurs avertisseurs secrets jusqu'à ce qu'ils s'allument. Sur la droite, au-dessus de l'affichage d'intensité, se trouvent des indicateurs qui donnent la plage de fonctionnement sélectionnée : 35V/3A, 15V/5A ou 35V/500mA ; les indicateurs s'allument sous la plage inscrite immédiatement au-dessus d'eux et, dans le cas de la plage 35V/500mA, l'indicateur est marqué mA pour mettre l'accent sur le fait que l'affichage d'intensité est maintenant présenté en mA. Les autres avertisseurs au-dessus des affichages sont : CI, indiquant que l'instrument est en mode d'intensité constante ; LIM, qui clignote lorsque l'on actionne la touche VIEW V/I LIMITS pour voir la limite de tension/intensité réglée à l'affichage ; REM, qui s'allume lorsque l'instrument est sous le contrôle d'une interface distante (modèles P uniquement) et LAN, qui indique l'état de connexion de l'interface LAN (modèles P uniquement).

Au-dessous des trois chiffres les moins significatifs des affichages de tension et d'intensité, se trouvent les indicateurs JOG ; l'indicateur approprié clignote lorsque la fonction de réglage pas à pas est utilisée, voir la section Commande pas à pas ci-dessus.

L'affichage de la sortie 1 peut également être utilisé pour afficher la tension et l'intensité de la sortie AUX (modèles T uniquement). De plus amples informations sont fournies à ce sujet dans la rubrique sur la sortie auxiliaire.

---

# Fonctionnement manuel

Les nouveaux utilisateurs devront d'abord lire le chapitre Utilisation initiale qui décrit les principes de fonctionnement du clavier et de la molette de commande pas à pas. Les paragraphes suivants décrivent le fonctionnement indépendant de l'une ou l'autre sortie principale. Pour sélectionner la sortie qui doit être contrôlée par le clavier ou les commandes pas à pas, il est d'abord nécessaire de sélectionner cette sortie en appuyant sur la touche ◀ CONTROL ▶ appropriée (1 ou 2) ; la touche s'allume pour montrer qu'il s'agit de la sortie sélectionnée.

Les fonctions supplémentaires disponibles sur les modèles à trois sorties (T) en mode LINK (les deux sorties principales sélectionnées) sont décrites dans la section Sorties principales – mode Link plus loin dans ce manuel.

## Réglage de la tension

L'affichage de gauche montre la tension réglée avec une résolution de 1mV, excepté quand l'instrument est en mode d'intensité constante (CI). En mode CI, la tension de sortie réelle (qui sera inférieure à la tension réglée) est indiquée, et la résolution d'affichage est de 10mV ; le chiffre le moins significatif (résolution 1mV) est toujours affiché sous forme d'un zéro.

La tension peut être réglée directement à partir du clavier numérique : appuyer sur la touche NUMERIC SET V (réglage numérique de tension), entrer la nouvelle valeur à l'aide des touches numériques et confirmer en appuyant sur OK. Les grands principes de la saisie au clavier sont expliqués au chapitre Utilisation initiale, qui devra être lu par les nouveaux utilisateurs.

Lorsque l'on appuie sur SET V, l'affichage donne 0,000 ; une nouvelle tension est alors saisie (par ex. 12,345V est saisi sous la forme 1, 2, -, 3, 4, 5) et confirmé par OK. La position de la virgule décimale à l'affichage est fixe pour réduire le risque de saisir une mauvaise valeur. En conséquence, et pour éviter de devoir saisir les zéros non-significatifs (par ex. 2,345V est saisi sous la forme 2, -, 3, 4, 5, OK), les nombres à gauche de la virgule décimale sont présentés de façon légèrement différente des nombres à droite de la virgule décimale lors de la saisie ; ceci est évident lors de la saisie des nombres.

Le réglage minimum de tension est 0,000V ; le réglage maximum pour le modèle XDL 35-5 est 35,000V (15,000V sur la plage 15V/5A) ou 56 000 V (25 000 V sur la plage 25 V/4 A) pour le modèle XDL 56-4.

Appuyer à n'importe quel moment sur OK programmera la tension saisie, tous les chiffres restant étant réglés à zéro, par ex. 1, 2, -, 3, OK programmera 12,300V ; 1, OK programmera 1,000V ; appuyer sur OK immédiatement après SET V (tandis que l'affichage indique 0,000V) programmera 0,000V.

Appuyer à n'importe quel moment sur ESCAPE au cours de la séquence, ou ne plus appuyer sur aucune touche pendant les 10 secondes qui suivent l'action précédente renverront l'affichage à sa lecture d'origine avant que la touche SET V ait été actionnée.

Saisir une tension hors du maximum de la plage (y compris essayer de saisir 3 chiffres avant la virgule) ou essayer de saisir plus de 5 chiffres provoquera un double bip du bruiteur ; la dernière touche actionnée sera ignorée.

La tension peut également être réglée à l'aide de la commande pas à pas. Appuyer sur JOG SET V va illuminer la touche V et l'indicateur JOG va clignoter sous le chiffre qui a été réglé pas à pas le dernier. Tant que la touche V est allumée, chaque appui suivant sur va déplacer l'indicateur JOG d'un chiffre sur la gauche ; la sélection 'tourne sur elle-même' de telle sorte que, quand la plus grande valeur d'incrément pas à pas a été atteinte, l'appui suivant la renvoie à la plus basse. La position par défaut à la mise sous tension est sous le chiffre le moins significatif, c'est à dire que le plus faible incrément pas à pas est sélectionné. Les pas qui peuvent être sélectionnés sont 1mV, 10mV et 100mV.

La fonction pas à pas étant activée, la tension de sortie peut être incrémentée ou décrémentée avec la molette de commande pas à pas, avec une résolution de pas indiquée par la position de l'indicateur JOG clignotant. La sortie suit immédiatement le réglage, c'est à dire qu'il n'y pas besoin de valider par OK. Si la sortie passe en mode d'intensité constante (indiquée par l'indicateur CI clignotant) l'affichage de gauche montre la tension réelle et non la tension réglée. Si JOG SET V est sélectionné, l'indicateur JOG sous le chiffre sélectionné va clignoter à mi-

---

vitesse (clignotement 'paresseux'). Pour observer l'effet du réglage pas à pas de la tension réglée, il sera nécessaire soit de couper la sortie (de façon à ce que l'affichage montre de façon permanente la tension réglée), soit d'appuyer sur VIEW V/I LIMITS, ce qui provoque l'affichage de la tension réglée encore 3 secondes après que le mouvement de la molette pas à pas cesse.

Noter qu'en mode d'intensité constante, la tension réelle est mesurée et affichée à une résolution de seulement 10mV ; le chiffre 1mV affiche zéro de façon permanente.

Davantage de détails sur la commande pas à pas sont donnés dans le chapitre Utilisation initiale.

## Réglage de la limite d'intensité

La sortie étant coupée, l'affichage de droite montre la limite d'intensité avec une résolution de 1mA (0,1mA sur la plage 500 mA).

La limite d'intensité peut être réglée directement à partir du clavier numérique : appuyer sur la touche NUMERIC SET I (réglage numérique d'intensité), entrer la nouvelle valeur à l'aide des touches numériques et confirmer en appuyant sur OK. Les grands principes de la saisie au clavier sont expliqués au chapitre Utilisation initiale, qui devra être lu par les nouveaux utilisateurs.

Lorsque l'on appuie sur SET I, l'affichage donne 0,000 ; une nouvelle intensité est alors saisie (par ex. 1,234A est saisi sous la forme 1, ., 2, 3, 4) et confirmé par OK. La position de la virgule décimale à l'affichage est fixe pour réduire le risque de saisir une mauvaise valeur. En conséquence, et pour éviter de devoir saisir les zéros non-significatifs (par ex. 0,234A est saisi sous la forme , ., 2, 3, 4, OK), les nombres à gauche de la virgule décimale sont présentés de façon légèrement différente des nombres à droite de la virgule décimale lors de la saisie ; ceci est évident lors de la saisie des nombres.

Le réglage minimum de tension est 0,001A (0,1mA sur la plage 500mA) ; le réglage maximum est 3,000A, 5,000A ou 500,0mA (XDL 35-5) ou 2 000 A, 4 000 A ou 5 000 mA (XDL 56-4), selon la plage, c'est à dire qu'il n'y pas de capacité de dépassement de plage.

Appuyer à n'importe quel moment sur OK programmera l'intensité saisie, tous les chiffres restant étant réglés à zéro, par ex. 1, ., 2, OK programmera 1,230A ; 1, OK programmera 1,000A ; appuyer sur OK immédiatement après SET I (tandis que l'affichage indique 0,000A) programmera 0,001A.

Appuyer à n'importe quel moment sur ESCAPE au cours de la séquence, ou ne plus appuyer sur aucune touche pendant les 10 secondes qui suivent l'action précédente renverront l'affichage à sa lecture d'origine avant que la touche SET I ait été actionnée.

Saisir une valeur hors du maximum de la plage (y compris essayer de saisir 2 chiffres avant la virgule) ou essayer de saisir plus de 4 chiffres provoquera un double bip du bruiteur ; la dernière touche actionnée sera ignorée.

La limite d'intensité peut également être réglée à l'aide de la commande pas à pas. Appuyer sur JOG SET I va illuminer la touche I et l'indicateur JOG va clignoter sous le chiffre qui a été réglé pas à pas le dernier. Tant que la touche I est allumée, chaque appui suivant sur va déplacer l'indicateur JOG d'un chiffre sur la gauche ; la sélection 'tourne sur elle-même' de telle sorte que, quand la plus grande valeur d'incrément pas à pas a été atteinte, l'appui suivant la renvoie à la plus basse. La position par défaut à la mise sous tension est sous le chiffre le moins significatif, c'est à dire que le plus faible incrément pas à pas est sélectionné. Les pas qui peuvent être sélectionnés sont 1mA, 10mA et 100mA (0,1mA, 1mA et 10mA sur la plage 500 mA).

La fonction pas à pas étant activée, la limite d'intensité peut être incrémentée ou décrémentée avec la molette de commande pas à pas, avec une résolution de pas indiquée par la position de l'indicateur JOG clignotant. La sortie suit immédiatement le réglage, c'est à dire qu'il n'y pas besoin de valider par OK. La sortie sur l'affichage de droite indiquant l'intensité réelle, et non la limite d'intensité (excepté en mode d'intensité constante). Si JOG SET I est sélectionné, l'indicateur JOG sous le chiffre sélectionné va clignoter à mi-vitesse (clignotement 'paresseux'). Pour observer l'effet du réglage pas à pas de la limite d'intensité, il sera nécessaire soit de couper la sortie (de façon à ce que l'affichage montre de façon permanente la limite d'intensité), soit d'appuyer sur VIEW V/I LIMITS, ce qui provoque l'affichage de la limite d'intensité encore 3 secondes après que le mouvement de la molette pas à pas cesse.

---

## Sortie d'intensité instantanée

La commande de limite d'intensité peut être réglée pour limiter l'intensité de sortie continue à des niveaux descendant jusqu'à 1 mA (0.1 mA sur la plage 500mA). Cependant, communément à tous les générateurs de précision d'établi, un condensateur est connecté sur la sortie pour conserver la stabilité et une bonne réponse aux défauts transitoires. Ce condensateur se charge sur la tension de sortie et une mise en court-circuit de la sortie produira une impulsion d'intensité à la décharge du condensateur, ce qui ne dépend pas du réglage de limite d'intensité.

## Sélection des plages

L'instrument possède trois plages : 35V/3A, 15V/5A et 35V/500mA (XDL 35-5) ou 56 V/2 A, 25 V/4 A et 56 V/500 mA (modèle XDL 56-4). La plage sélectionnée est signalée par un indicateur lumineux sous la légende appropriée en haut à droite de l'instrument; quand on sélectionne la plage 500 mA, la légende de l'indicateur est mA pour mettre l'accent sur le fait que l'ampèremètre indique maintenant des milliampères et non des Ampères.

Pour changer de plage, appuyer sur SHIFT suivi de ◀ RANGE ou RANGE ▶ (plage inférieure ou supérieure) ; chaque appui sur ◀ RANGE sélectionne la plage suivante sur la gauche ; chaque appui sur RANGE ▶ sélectionne la plage suivante sur la droite ; il n'y a pas 'd'enroulement sur elles-mêmes' de ces fonctions. Lorsque la plage change, l'indicateur qui représente la nouvelle plage et la touche OK clignotent ; appuyer sur OK programme la nouvelle plage. Pour quitter sans changer de plage, appuyer sur ESCAPE. Appuyer sur n'importe quelle autre clé tant que l'instrument est en mode de changement de plage provoquera l'émission de deux bips par le bruiteur ; aucune autre action n'est effectuée. Si l'on n'appuie pas sur OK dans les 10 secondes qui suivent le dernier appui sur la touche de changement de plage, la sélection de plage reste inchangée.

La plage ne peut être changée que quand la sortie est coupée. Appuyer sur les touches ◀ RANGE ou RANGE ▶ avec la sortie active fera clignoter la touche ON/OFF (marche/arrêt) de la sortie (ainsi que la touche OK). La sortie peut être coupée avec la touche ON/OFF et la plage peut alors être changée en appuyant sur OK, ou bien on pourra appuyer directement sur OK, auquel cas la sortie est automatiquement coupée, ce qui permet ensuite de changer de plage.

Si un changement de plage fait dépasser au réglage de tension ou de limite d'intensité le maximum correspondant de la nouvelle plage, le changement de plage est accepté mais le réglage est ramené à égalité avec le maximum de la nouvelle plage.

Noter que le réglage OVP (protection contre les surtensions) n'est pas modifié lorsque l'on change de plage (par ex. pour le modèle XDL 35-5, un réglage OVP de 38V reste valide sur la plage 15V) ; il appartient à l'utilisateur de modifier indépendamment le réglage OVP si nécessaire.

## Réglages des sorties – Verrouillage du panneau avant

Pour éviter tout changement accidentel des réglages des sorties sur une configuration en baie ou sur établi, les commandes de plage, tension, limite d'intensité, OVP et OCP du panneau avant peuvent être « verrouillées » et « déverrouillées » à l'aide de la fonction #33, voir la rubrique sur les fonctions supplémentaires. Les boutons ON/OFF des sorties restent déverrouillés, tout comme la sélection de la détection à distance. Le verrouillage du panneau avant continue de fonctionner en mode commande à distance (modèles P uniquement), mais il est ignoré par les commandes à distance.

Sur les modèles à trois sorties, la tension de la sortie AUX est également verrouillée lorsque les réglages de la sortie 1 sont verrouillés, mais les boutons ◀ CONTROL ▶ restent déverrouillés. Toutes les sorties sont verrouillées et déverrouillées ensemble lorsque #33 est utilisé en mode Link, voir les rubriques Sortie auxiliaire et sorties principales-Mode Link.

## Connexion à la charge

La charge devra être connectée aux bornes OUTPUT (sortie) positive (rouge) et négative (noire). Les deux sont entièrement flottantes et l'une ou l'autre peuvent être connectées à la masse.

## Détection à distance

L'instrument possède une très faible impédance de sortie, mais celle-ci est inévitablement augmentée par la résistance des fils de raccordement. A hautes intensités, ceci peut se traduire

---

par des différences significatives entre la tension source indiquée et la tension réelle de la charge (deux fils de raccordement de 20mΩ chuteront de 0,2V à 5 A, par exemple). Ce problème peut être minimisé en utilisant des fils de raccordement courts et épais, mais lorsque cela s'avère nécessaire, on peut le surmonter complètement en utilisant la capacité de détection à distance.

Ceci nécessite de connecter les bornes de détection à la sortie sur la charge plutôt que sur la source ; insérer les fils dans les bornes à ressort REMOTE SENSE (détection à distance) et les connecter directement à la charge.

Sélectionner la détection à distance en appuyant sur SHIFT, SENSE ; la touche OK clignote et le témoin au-dessus des bornes de détection à distance s'allume pour montrer que la détection à distance sera sélectionnée si l'on appuie sur OK. Appuyer sur OK pour confirmer ; appuyer sur ESCAPE pour quitter sans changer d'état. La détection à distance est désactivée en appuyant de nouveau sur SHIFT, SENSE ; la touche OK clignote et le témoin au-dessus des bornes de détection à distance s'éteint pour montrer que la détection locale sera restaurée si l'on appuie sur OK. Appuyer sur OK pour confirmer ; appuyer sur ESCAPE pour quitter sans changer d'état.

Pour éviter les problèmes d'instabilité et de réponse aux défauts transitoires, il convient de prendre soin de réaliser un bon couplage entre chaque fil de sortie et de détection. Cela peut se faire en torsadant les fils l'un avec l'autre ou en utilisant un câble blindé coaxialement (détection passant par le conducteur intérieur). Un condensateur électrolytique placé directement sur le point de connexion de la charge peut également s'avérer avantageux.

La chute de tension dans chaque fil de sortie ne doit pas dépasser 0,5 Volts.

Les modèles P disposent de bornes de sortie et de détection sur le panneau arrière, appropriées lorsque l'instrument est utilisé en baie. Les bornes de détection du panneau arrière devront toujours être utilisées avec les connexions de sortie du panneau arrière.

### **Déclenchement sur défaut de câblage de détection**

La sortie sera désactivée si la tension entre une borne de sortie et sa borne de détection correspondante dépasse environ 1V ; ceci se produira si les fils de détection sont câblés à la charge sur la mauvaise sortie ou si l'on tente de prendre une alimentation sur les fils de détection.

Si les bornes de détection présentent des défauts de câblage de ce type, l'affichage envoie le message **SENSE trip** et la sortie est coupée. Appuyer sur ESCAPE à cet instant supprime le message et l'affichage montre ensuite la tension et la limite d'intensité pré-réglées. Une fois la cause du déclenchement corrigée, la sortie peut être réactivée.

### **Connexion en série ou en parallèle avec d'autres sorties**

Les sorties du générateur sont entièrement flottantes et peuvent être utilisées en série avec d'autres générateurs pour produire des tensions CC allant jusqu'à 300V CC.

La tension maximale admissible entre n'importe quelle borne et la terre ( $\perp$ ) est de 300V CC.

**AVERTISSEMENT !** De telles tensions sont excessivement dangereuses et un grand soin devra être apporté à la protection des bornes pour une telle utilisation. En aucun cas on ne devra toucher les bornes de sortie lorsque le générateur est allumé pour une telle utilisation. Tous les branchements aux bornes doivent être établis avec tous les appareils hors tension.

Il convient de noter que le générateur ne peut que produire du courant et non en absorber, ainsi les générateurs ne peuvent être connectés en série en anti-phase.

L'appareil peut être connecté en parallèle avec d'autres pour produire des courants plus forts. Lorsque plusieurs appareils sont connectés en parallèle, la tension de sortie sera égale à celle du générateur ayant le plus grand réglage de sortie, jusqu'à ce que le courant consommé dépasse son réglage de limite d'intensité, moment auquel la sortie tombera au réglage le plus élevé suivant, et ainsi de suite. En mode d'intensité constante, les appareils peuvent être connectés en parallèle pour fournir une intensité égale à la somme des réglages de limite d'intensité.

Noter que les bornes de sortie sont calibrées à 15A maximum ; si plusieurs sorties sont exploitées en parallèle pour fournir des intensités supérieures à cette dernière, la jonction devra être effectuée en un point séparé, et non sur l'une des bornes.

---

## Protection contre les surtensions

La protection contre les surtensions (OVP) peut être réglée de 1,0V à 40V (modèle XDL 35-5) ou à 60 V (modèle XDL 56-4). Si la tension de sortie dépasse l'OVP réglée, la sortie est immédiatement coupée (en général dans les 100µs), évitant ainsi l'endommagement du circuit testé. Le circuit OVP protégera contre les réglages de tension excessive accidentels à partir du panneau avant ou par l'intermédiaire d'interfaces de télécommande, de tensions externes imprimées sur les bornes de sortie ou d'une défaillance du circuit de commande de l'instrument lui-même.

Pour régler OVP, appuyer sur SHIFT, OVP ; l'indicateur JOG à pas de 100mV va commencer à clignoter et la molette rotative de réglage pas à pas peut être utilisée pour incrémenter ou décrémenter le réglage OVP par pas de 100mV. Appuyer sur OK pour confirmer le nouveau réglage ; pour quitter sans saisir une nouvelle valeur, appuyer sur ESCAPE. Les réglages par défaut d'usine sont 40,0 V (modèle XDL 35-5) et 60 V (modèle XDL 56-4).

Si l'OVP se déclenche, l'affichage présente le message **OVP triP** et la sortie est coupée. Appuyer sur ESCAPE à cet instant supprime le message et l'affichage montre ensuite la tension et la limite d'intensité préréglées. Une fois la cause de l'OVP éliminée (ou la limite d'OVP modifiée), la sortie peut être réactivée.

Noter que le réglage OVP ne change pas quand on change de plage (par ex. pour le modèle XDL 35-5, un réglage OVP de 38V reste valide sur la plage 15V) ; il appartient à l'utilisateur de modifier indépendamment le réglage OVP si nécessaire.

Noter aussi qu'il est possible et valide de régler l'OVP sous la tension réglée. Si l'alimentation est en mode d'intensité constante, la tension de sortie sera inférieure à la tension réglée ; l'OVP pourra être réglée de façon à ce qu'elle soit supérieure à la tension de sortie réelle mais inférieure à la tension réglée. Ceci pourra être utilisé pour déclencher la sortie en condition de défaut ayant provoqué l'augmentation de l'impédance de la charge et par conséquent la montée de la tension de sortie réelle au-dessus du point d'OVP.

## Protection contre les surintensités

La protection contre les surintensités (OCP) peut être réglée de 0,01A à 5,5A (modèle XDL 35-5) ou à 4,4 A (modèle XDL 56-4). Si l'intensité de sortie dépasse l'OCP réglée, la sortie est coupée (en général dans les 35ms).

Pour régler OCP, appuyer sur SHIFT, OCP ; l'indicateur JOG à pas de 10mA va commencer à clignoter et la molette rotative de réglage pas à pas peut être utilisée pour incrémenter ou décrémenter le réglage OCP par pas de 10mA. Appuyer sur OK pour confirmer le nouveau réglage ; pour quitter sans saisir une nouvelle valeur, appuyer sur ESCAPE. Le réglage par défaut d'usine est de 5,50A (modèle XDL 35-5) ou 4,4 A (modèle XDL 56-4).

Si l'OCP se déclenche, l'affichage présente le message **OCP triP** et la sortie est coupée. Appuyer sur ESCAPE à cet instant supprime le message et l'affichage montre ensuite la tension et la limite d'intensité préréglées. Une fois la cause de l'OCP éliminée (ou la limite d'OCP modifiée), la sortie peut être réactivée.

Noter que comme pour l'OVP, le réglage OCP ne change pas quand on change de plage.

Noter aussi qu'il est possible et valide de régler l'OCP sous la limite d'intensité réglée. Par exemple, le générateur peut être utilisé pour tester de façon répétitive un appareil à tester (AAT) qui prend normalement une intensité de pointe, disons de 2 A. Par contre, une AAT défectueuse consommerait une intensité de plus de 2 A et serait endommagée en étant laissée dans un état d'intensité limitée à 2 A. Dans ce cas, la limite d'intensité pourrait être réglée à disons 2,1A, et l'OCP réglée à 2,0A pour s'assurer que l'AAT défectueuse déclencherait la coupure de l'alimentation.

## Protection de sortie

En plus d'OVP et OCP pour la protection contre les surtensions et surintensités directes, la sortie est protégée des tensions inverses par une diode ; le courant continu inverse ne doit pas dépasser 3 A, bien que des défauts transitoires puissent être beaucoup plus élevés.

---

## Puissance de sortie (V x A)

Si l'on appuie sur SHIFT, V x A, l'affichage de tension montre le produit de la tension de sortie mesurée par l'intensité mesurée, et l'affichage d'intensité indique **UA** ; l'affichage de la puissance de sortie est mise à jour en continu au taux de mesure normal. Le mode Output Power (Puissance de sortie) est annulé en appuyant à nouveau sur ESCAPTE ou V x A. La commande pas à pas est temporairement désactivée (et les indicateurs JOG sont éteints) pendant l'affichage V x A.

## Déclenchement de température

Si la température limite de sûreté interne est dépassée en raison, par exemple, de l'obstruction des événements du ventilateur, la sortie est coupée et l'affichage indique **OTP triP**. Appuyer sur ESCAPE à cet instant réaliser l'une de ces deux choses :

- i. Si la condition de surtempérature a déjà disparu, le message sera supprimé et l'affichage indiquera ensuite la tension et la limite d'intensité préréglées. En supposant que la cause de la surtempérature a été rectifiée, la sortie peut être réactivée.
- ii. Si l'instrument est toujours au-dessus de la température limite de sûreté, le message **OTP triP** clignotera lentement (clignotement 'paresseux') jusqu'à ce que l'instrument ait refroidi ; à ce moment-là, l'affichage montrera de nouveau la tension et la limite d'intensité préréglées. En supposant que la cause de la surtempérature a été rectifiée, la sortie peut être réactivée.

## Sortie d'alarme

Le connecteur à 2 broches en retrait sur le panneau arrière est directement connecté à un transistor de basculement NPN opto-isolé (broche 1 émettrice, broche 2 collectrice) qui est activé (c'est à dire 'fermeture' de l'interrupteur) en fonction des conditions spécifiées dans la section Fonctions supplémentaires, voir plus loin. La condition de défaut est la fermeture de l'interrupteur pour toute condition de déclenchement (OVP, OCP, SENSE ou OTP). La tension maximale permise en circuit ouvert sur l'interrupteur est de 30V CC et l'intensité nominale absorbée pour la fermeture de l'interrupteur est de 1mA.

## Enregistrer les réglages

L'instrument peut stocker 50 configurations pour chaque sortie dans une mémoire non-volatile ; les paramètres enregistrés sont la plage, la tension, la limite d'intensité, OVP et OCP. L'état de la sortie et le réglage de détection à distance ne sont pas enregistrés. De plus, 50 réglages Mode Link supplémentaires peuvent être sauvegardés ; voir la rubrique Sorties principales – Mode Link. Pour enregistrer une configuration, appuyer sur SHIFT, STORE ; l'affichage montre **stop** sur la gauche, ainsi que le numéro de la mémoire (0 à 49) et son état (**E** pour mémoire vide ou **F** pour mémoire pleine) sur la droite. À ce moment-là, la fonction SHIFT est annulée (le témoin lumineux s'éteint). Le numéro de la mémoire (0 à 49) peut être réglé directement à partir du clavier numérique ou à l'aide de la molette de commande pas à pas pour augmenter/réduire le numéro affiché ; le témoin JOG sous le numéro de la mémoire clignote pour indiquer que la commande pas à pas est activée. Choisir le numéro de mémoire requis par l'une ou l'autre des méthodes proposées et appuyer sur OK pour sauvegarder les réglages et revenir à l'affichage indiquant V et I. La fonction de sauvegarde peut encore être utilisée lorsque les réglages des sorties ont été « verrouillés » à l'aide de la fonction #33. Une mémoire pleine peut être écrasée avec de nouveaux réglages. A tout moment avant d'appuyer sur la touche OK, la fonction de mémoire peut être quittée sans sauvegarder de configurations en appuyant sur ESCAPE ou en attendant 10 secondes après la dernière saisie au clavier.

## Effacer des réglages enregistrés

N'importe quelle mémoire peut être vidée de la manière suivante : sélectionner la mémoire en appuyant sur SHIFT, STORE, et choisir le numéro de mémoire requis à l'aide du clavier numérique ou de la commande pas à pas comme décrit ci-dessus ; à ce moment, appuyer sur L'affichage montre maintenant **del** au lieu de **sto**, par ex. **del 29 F** ; appuyer sur OK supprime le contenu de la mémoire. Tous les réglages de la sortie mis en mémoire peuvent également être supprimés simultanément à l'aide de la fonction #98 ; voir la rubrique Fonctions supplémentaires.



---

## Rappeler des réglages

Pour rappeler une configuration, appuyer tout d'abord sur SHIFT, RECALL ; l'affichage indique maintenant **REC.** sur la gauche, ainsi que le numéro de la mémoire (0 à 49) et son état (**E** pour mémoire vide ou **F** pour mémoire pleine) sur la droite lorsque chaque mémoire est sélectionnée, soit à l'aide de la commande pas à pas, soit avec le clavier numérique (comme pour sauvegarder les réglages, voir ci-dessus). À ce moment-là, la fonction SHIFT est annulée (le témoin lumineux s'éteint). Si la mémoire sélectionnée est pleine (**F**), l'affichage change et clignote en présentant les valeurs V et I de cette mémoire ; appuyer sur OK pour rappeler les réglages en mémoire et revenir à l'affichage indiquant V et I. Si la mémoire sélectionnée est vide (**E**), l'affichage clignote ----- pour indiquer que c'est bien le cas. Il n'est pas possible de rappeler une mémoire « vide » (un signal sonore d'avertissement retentira en cas de pression du bouton OK) ; sélectionner une mémoire pleine ou appuyer sur ESCAPE pour quitter la fonction de Rappel. La fonction Recall (Rappel) ne peut pas être utilisée si la sortie est « verrouillée ».

A tout moment avant d'appuyer sur la touche OK, la fonction de rappel peut être quittée sans rappeler une configuration en appuyant sur ESCAPE ou en attendant 10 secondes après la dernière saisie au clavier.

Les réglages peuvent être rappelés avec la sortie en marche ou arrêtée. Cependant, si le réglage rappelé implique un changement de plage, la sortie est coupée pour éviter toute perturbation transitoire. Après avoir appuyé sur SHIFT, RECALL, et avoir choisi le numéro de la mémoire, la touche ON/OFF va clignoter (ainsi que la touche OK) si la réalisation du rappel implique un changement de plage. La sortie peut être coupée avec la touche ON/OFF, le rappel peut ensuite être réalisé en appuyant sur OK, ou bien on peut appuyer directement sur OK, auquel cas la sortie est automatiquement coupée et le rappel réalisé.

## Fonctions supplémentaires

Des variations de certaines fonctions par défaut d'usine peuvent être programmées par l'utilisateur à l'aide de l'option de fonctions supplémentaires #. Chaque changement de fonction, détaillé dans la liste ci-dessous, est accessible en appuyant sur SHIFT, #, nn, où nn est le numéro à 2 chiffres de la liste ci-dessous ; l'affichage passe à **HASH No. \_ \_** après SHIFT, # et le bruiteur donne un bip de confirmation lorsque la saisie du nombre à 2 chiffres est terminée. Comme indiqué dans le paragraphe d'introduction de cette section, les fonctions # peuvent être réglées indépendamment (c'est à dire différemment) pour chaque sortie principale ; noter, cependant, que les fonctions #02, #03 et #21 qui s'appliquent à la sortie auxiliaire ne peuvent être réglées que lorsque ◀ CONTROL ▶ est assigné à la Sortie 1.

Les réglages de chaque sortie principale peuvent être verrouillés/déverrouillés individuellement à l'aide de #33 et du ◀ CONTROL ▶ affecté à la sortie respective ; sur les modèles T, les réglages AUX sont également verrouillés/déverrouillés lorsque la sortie 1 est verrouillée/déverrouillée. Les réglages de toutes les sorties sont verrouillés/déverrouillés ensemble si #33 est utilisé et ◀ CONTROL ▶ réglé sur mode LINK.

# Code	Fonction
00	Sortie principale toujours coupée à la mise sous tension (réglage par défaut d'usine).
01	Statut de la sortie principale à la mise sous tension identique à la dernière mise hors tension.
02	Sortie aux. (modèles T uniquement) toujours coupée à la mise sous tension (réglage par défaut d'usine) Réglé avec le contrôle assigné à la Sortie 1.
03	Statut de la sortie aux. (modèles T uniquement) à la mise sous tension identique à la dernière mise hors tension. Réglé avec le contrôle assigné à la Sortie 1.
20	Sortie d'alarme 'ouverte' pour Sortie principale coupée, 'fermée' pour Sortie principale active.
21	Sortie d'alarme 'fermée' quand la Sortie aux. est en limite d'intensité. Réglé avec le contrôle assigné à la Sortie 1 ; s'applique à l'alarme de Sortie 1 seulement.

- 
- 22 Sortie d'alarme 'fermée' quand un déclenchement de surtempérature survient.
  - 23 Sortie d'alarme 'fermée' quand un déclenchement de détection survient.
  - 24 Sortie d'alarme 'fermée' quand un déclenchement de surintensité survient.
  - 25 Sortie d'alarme 'fermée' quand un déclenchement de surtension survient.
  - 26 Sortie d'alarme 'fermée' quand un déclenchement quelconque survient (réglage par défaut d'usine).
  - 30 Arrêt du bruiteur.
  - 31 Bruiteur en marche (réglage par défaut d'usine). Un bip simple indique une confirmation, un double bip indique une mauvaise saisie.
  - 33 Verrouille/déverrouille les réglages. Noter que les réglages de la sortie AUX sont verrouillés avec la sortie 1.
  - 40 Le chiffre de réglage pas à pas clignote, l'indicateur JOG ne clignote que quand le pas à pas est 'masqué'.
  - 41 L'indicateur JOG clignote toujours, excepté quand il est 'masqué' (réglage par défaut d'usine).
  - 42 L'indicateur JOG ne clignote pas, excepté quand il est 'masqué' (clignotement paresseux)
  - 91 Charge les paramètres d'étalonnage par défaut. Se reporter au guide d'entretien.
  - 92 Indique le numéro de version du microprogramme dans l'afficheur.
  - 93 Règle ces paramètres # à leur réglage par défaut d'usine.
  - 94 Charge les réglages par défaut d'usine (voir ci-dessous)
  - 98 Efface toutes les mémoires de réglage de la sortie. La sortie AUX est toujours effacée avec O/P1.  
En mode LINK, efface toutes les mémoires dans tous les modes (O/P1, O/P2, AUX et LINK).
  - 99 Entre en mode de calibrage. Se reporter au guide d'entretien.

### Réglages par défaut d'usine

Les réglages par défaut de sortie d'usine (qui s'appliqueront à la première mise en marche) sont les suivants :

Plage :	XDL 35-5: 35V/3A	XDL 56-4: 56V/2A
Tension :	XDL 35-5: 1.000V	XDL 56-4: 1.000V
Limite d'intensité :	XDL 35-5: 1.000A	XDL 56-4: 1.000A
OVP :	XDL 35-5: 40V	XDL 56-4: 60V
OCP :	XDL 35-5: 5.5A	XDL 56-4: 4.4A
Sortie :	Sortie coupée ; détection locale	
Réglages # :	00	Sortie principale toujours coupée à la mise sous tension.
	02	Sortie aux. toujours coupée à la mise sous tension (fonction # de la Sortie 1 # seulement).
	26	Sortie d'alarme 'fermée' quand un déclenchement quelconque survient
	31	Bruiteur en marche.
	41	L'indicateur JOG clignote toujours, clignotement 'paresseux' quand il est masqué.
RS232 :	9 600 Bauds (versions P uniquement)	
Adresse :	11 (versions P uniquement)	

---

## Messages d'erreur

Les erreurs matérielles suivantes sont indiquées par l'apparition du numéro d'erreur approprié à l'écran. La touche OK va clignoter. Si on appuie sur cette touche, l'erreur sera ignorée et l'opération continuera de la manière décrite.

Erreur N°.	Description de l'erreur	Action à l'appui sur la touche OK
1	Constantes d'étalonnage corrompues à la mise sous tension	Charge les paramètres d'étalonnage par défaut
2	Fonctions # corrompues à la mise sous tension	Charge les réglages # par défaut
3	Réglages de mise hors tension mal chargés à la mise sous tension	Charge les réglages de mise sous tension par défaut d'usine

Mettre l'instrument hors tension avec le message d'erreur affiché laissera tous les réglages inchangés.

## Sorties principales – Mode liaison (Link - modèles T uniquement)

En mode Link, sélectionné en appuyant sur la touche LINK, les paramètres clés des deux Sorties Principales sont ajustés ensemble ; une fois le mode Link sélectionné les deux touches ◀ CONTROL ▶ (1 et 2) sont allumées pour montrer que les deux sorties sont sélectionnées.

Les paragraphes suivants décrivent seulement les différences entre le fonctionnement indépendant et lié ; ils devront être lus conjointement aux paragraphes correspondants dans la section Sorties principales.

### Fonctionnement en mode Link – Vue d'ensemble

Le contrôle des deux sorties principales peut être "lié" de façon à ce que les changements s'appliquent aux deux sorties simultanément. Il peut y avoir plusieurs raisons pour vouloir le faire:

#### 1. Câblage en série ou parallèle

L'utilisateur peut souhaiter créer une sortie avec une capacité de soit deux fois la tension soit deux fois l'intensité, voir la section Connexion en série ou en parallèle avec d'autres sorties, page 15. Le mode Link fournit un moyen commode de contrôler deux sorties lorsqu'elles sont connectées en série ou en parallèle.

#### 2. Traçage des tensions (ou intensités)

En mode Link, utiliser le Réglage numérique fixera des tensions et/ou intensités égales aux deux sorties. Le contrôle des sorties peut également être lié à des tensions et/ou des intensités différentes réglées sur les sorties. L'utilisation de la commande pas à pas apportera alors des changements égaux aux deux sorties.

#### 3. Rappel simultané des réglages enregistrés

Chaque sortie a son propre jeu de 50 mémoires. Cependant, en mode Link, un autre jeu de 50 mémoires est disponible et peut enregistrer des réglages pour les deux sorties. Des tensions et intensités peuvent être réglées individuellement pour chaque sortie et le contrôle mis en mode Link avant enregistrement. Les réglages enregistrés peuvent alors être rappelés sur les deux sorties simultanément. L'usage de la fonction #98 en mode Link effacera toutes les mémoires des 3 sorties dans tous les modes ; voir la rubrique concernant les fonctions supplémentaires.

L'usage de la fonction #33 en mode Link verrouille/déverrouille les commandes du panneau avant simultanément pour les trois sorties.

**Note** :Les réglages existant de la Sortie 1 peuvent être doublés sur la Sortie 2 à l'aide de la fonction Copy avant ou après liaison.

En mode Link, les fonctions de contrôle sont limitées au Réglage de plage, Réglage de tension et Réglage d'intensité (Réglage numérique et Réglage pas à pas), plus Enregistrer et Rappeler. OVP, OCP et Détection ne peuvent être modifiées en mode lié.

Le contrôle Marche/Arrêt de chaque sortie reste séparé en mode Link. Pour allumer ou éteindre les sorties en même temps, les boutons ALL ON/ALL OFF, indépendants du mode Link, doivent être utilisés.

---

## Sélectionner le mode Link

La seule contrainte à la sélection du mode Link est que les deux Sorties principales doivent déjà être réglées sur la même plage ; en particulier, les sorties peuvent être liées même si leurs réglages de tension de sortie et de limite d'intensité sont différents. Appuyer sur LINK si des plages différentes sont réglées fera sonner deux fois les bruiteurs et l'indicateur de plage de la sortie précédemment non-sélectionnée clignotera pendant 2 secondes.

Sélectionner le mode Link annulera toute sélection de commande pas à pas réglée sur l'une ou l'autre Sortie principale.

## Régler la tension et régler la limite d'intensité

Régler la tension de sortie et la limite d'intensité par la saisie numérique ou par la commande pas à pas est pour l'essentiel identique aux sorties en mode indépendant. Avec la saisie numérique les deux sorties seront réglées exactement à la même nouvelle tension de sortie et à la même limite d'intensité nouvelle, quels que soient les réglages au moment où les sorties ont été liées. Noter qu'il peut exister une différence de temps finie entre les changements des deux sorties, même si elles changent par rapport au même réglage initial ; en général cette différence de temps ne devrait pas dépasser 40ms (80ms maxi). Cependant, si les réglages étaient différents au moment où les sorties ont été liées, modifier la tension ou la limite d'intensité à l'aide de la commande pas à pas maintiendra la différence entre les deux sorties en incrémentant/décrémentant chaque sortie du même pas, c'est à dire que les sorties se suivront l'une l'autre. Ce suivi sera maintenu jusqu'à ce que l'une des sorties atteigne la limite de la plage, auquel cas un pas supplémentaire de la commande pas à pas fera sonner le bruiteur pour cette sortie (la sortie restant à la limite de la plage) tandis que la sortie dans la plage continue de changer, c'est à dire que le suivi cesse et que les sorties convergent à chaque pas supplémentaire. Si l'incrément/décrément est inversé, la nouvelle différence (plus petite) entre les sorties est conservée jusqu'à ce que l'une des sortie atteigne la limite de plage dans l'autre direction.

Si l'on quitte le mode Link tandis que la commande pas à pas est sélectionnée, cette dernière continue d'être active sur la sortie sélectionnée.

## Enregistrer et rappeler

En mode Link, 50 autres mémoires non-volatiles, assez distinctes des 50 mémoires de chaque sortie en mode indépendant, sont disponibles. Les paramètres stockés sont Plage, Tension, Limite d'intensité, OVP et OCP. Le fonctionnement en mode Link est exactement celui décrit dans les paragraphes Enregistrer, Rappeler et Supprimer de la section Sorties principales ; les messages d'affichage décrits dans ces sections apparaissent dans les deux affichages lorsque le mode Link est sélectionné.

## OVP, OCP et détection

OVP, OCP et détection ne peuvent être réglées que lorsque l'un ou l'autre canal est sélectionné indépendamment. Les réglages sont maintenus lorsque le mode Link est sélectionné ; OVP et OCP peuvent être sauvegardés dans le cadre d'une configuration en mode Link mais c'est impossible pour la Détection. Si l'on tente de modifier OVP, OCP ou Détection en mode Link, l'affichage de la Sortie 1 va clignoter avec **SELct 1or2** pour rappeler à l'utilisateur que ces paramètres doivent être réglés indépendamment pour chaque canal. Appuyer sur ESCAPE pour annuler l'affichage clignotant, assigner le contrôle au canal approprié à l'aide des touches ◀ CONTROL ▶ 1 ou 2 et régler OVP, OCP, ou Détection comme décrit pour les sorties individuelles.

## Puissance de sortie

Appuyer sur SHIFT, V x A provoque l'affichage de la puissance de sortie des deux sorties simultanément dans leurs affichages respectifs (V x A en affichage de tension, **UA** en affichage d'intensité) exactement comme décrit pour le fonctionnement indépendant.

## Fonctions supplémentaires

Les fonctions # décrites dans le paragraphe Fonctions supplémentaires de la section Sorties principales peuvent également être réglées lorsque l'instrument est en mode Link ; les deux

---

affichages montreront **HASH No.**\_ après avoir appuyé sur SHIFT, #. Toute fonction # réglée de cette manière sera bien sûr identique pour les deux sorties. Cependant, les fonctions # peuvent être différentes pour chaque sortie si elles sont réglées séparément tandis que l'appareil est en mode indépendant et la sélection des fonctions sera maintenue pour chaque sortie même quand les sorties seront en mode Link.

### Type de bus et adresse/vitesse de transmission

Le type de bus, l'adresse et la vitesse de transmission ne peuvent être réglés que lorsque le contrôle est assigné à la Sortie 2. L'affichage de la Sortie 2 est utilisé pour montrer les paramètres réglés, exactement comme décrit pour le fonctionnement indépendant. Si l'on tente de régler ces paramètres en mode Link, ou avec la Sortie 1 sélectionnée, l'affichage de la Sortie 1 clignote avec **SELct P.U.**\_2 pour inviter à sélectionner la Sortie 2. Appuyer sur Escape pour effacer l'invite à l'écran (ou attendre qu'elle disparaisse), puis sélectionner la Sortie 2.

### Sorties principale – Fonction copier (modèles T uniquement)

Les principaux réglages de la Sortie 1 peuvent être copiés sur la Sortie 2 en utilisant la fonction Copier, quel que soit le mode ◀ CONTROL ▶ (1, 2 ou LINK) actuellement sélectionné. Les paramètres copiés sont Plage, Tension, Limite d'intensité, OVP et OCP; le statut de Détection, ON/OFF, la commande pas à pas et le contenu enregistré ne sont pas copiés.

Appuyer sur SHIFT, COPY 1>2 provoque l'apparition des réglages de Tension, Intensité et Plage de la Sortie 1 sur les affichages de la Sortie 2 en mode clignotant ; la touche OK clignote aussi. Appuyer sur OK confirme et met en œuvre l'opération de copie, appuyer sur ESCAPE à cet instant abandonne l'opération.

Si l'opération de copie provoque un changement de plage sur la Sortie 2, et que celle-ci est active, alors la touche ON/OFF Sortie 2 clignote aussi et la sortie est coupée lorsque l'on appuie sur la touche OK ; la sortie peut également être coupée directement avec sa touche ON/OFF avant d'appuyer sur OK.

### Sortie auxiliaire (modèles T uniquement)

La sortie AUX peut fournir jusqu'à 3 ampères et une tension de sortie de 1,00 V à 6,00 V. La tension de sortie est réglée au moyen de la commande pas à pas (uniquement) avec une résolution de pas de 10 mV ; la limite d'intensité est fixée à  $\geq 3$  A.

La tension de sortie AUX peut être réglée et la tension et l'intensité surveillées sur l'affichage de la sortie principale 1 en appuyant plusieurs fois sur le bouton SET/VIEW situé à côté des bornes AUX. Appuyer une fois pour afficher V et I AUX (**A** est affiché devant le réglage V pour indiquer qu'il s'agit de la sortie AUX), appuyer à nouveau pour afficher V et I pour la sortie 1.

La sortie AUX est activée et désactivée avec le bouton AUX ON/OFF ; le bouton s'allume lorsqu'AUX est activée. Lorsque la sortie AUX est désactivée et que les V et I pour AUX sont affichés sur l'affichage de la sortie 1, la tension de sortie AUX peut être prévisualisée et réglée à l'aide de la molette de commande pas à pas ; la limite d'intensité est fixe et l'aperçu affiche 3,00 A. Lorsque la sortie AUX est activée, l'affichage de la sortie 1 présente la tension et l'intensité réelles de la sortie AUX.

La sortie AUX est protégée contre les surcharges d'intensité et les courts-circuits momentanés comme suit : Lorsque l'intensité de charge dépasse  $\sim 3,00$  A, le voyant lumineux  $I_{LIMIT}$  s'allume pour indiquer que la régulation n'est plus maintenue. Si cette condition de surcharge se poursuit pendant plus de 5 secondes environ, la sortie sera coupée ; le bouton AUX ON/OFF s'éteindra, le voyant lumineux  $I_{LIMIT}$  clignotera et l'affichage de la sortie 1 (s'il est réglé afin d'afficher V et I pour la sortie AUX) présentera le message **trip** au lieu de la mesure de l'intensité. Une pression sur le bouton AUX ON/OFF permet de réinitialiser le voyant lumineux  $I_{LIMIT}$  et l'affichage de la sortie 1 pour indiquer la tension et la limite d'intensité pré-réglées pour la sortie AUX. Une fois que le problème de surcharge est éliminé, la sortie AUX peut être activée à nouveau.

10 autres mémoires non volatiles, distinctes des 50 mémoires pour chaque sortie principale et fonctionnement en mode Link, sont disponibles pour sauvegarder les réglages de tension de sortie AUX. Appuyer sur le bouton SET/VIEW pour afficher V et I pour la sortie AUX dans l'affichage de la sortie 1 ; le fonctionnement est alors identique à celui décrit dans les paragraphes Enregistrer, Rappeler et Effacer du chapitre sur les sorties principales.

---

Les bornes de sortie sont dupliquées sur le panneau arrière (bornes sans vis) pour un usage en baie ; celles-ci ne permettent pas d'utiliser les fonctions de détection à distance.

Les caractéristiques suivantes de la sortie AUX peuvent être réglées/surveillées au moyen des interfaces à distance :

- Réglage de la tension de sortie ; lecture de la tension de sortie réglée.

- Lecture des valeurs réelles de la tension de sortie et de l'intensité.

- Réglage d'un incrément  $\Delta V$  ; lecture de l'incrément réglé.

- Augmentation/diminution de la tension de sortie par  $\Delta V$ .

- Activation et désactivation de la sortie AUX.

- Lecture du statut on/off de la sortie.

- Statut de la limite d'intensité et du déclenchement d'intensité (par le biais de la commande LSR2?, voir Modèle de statut).

De plus amples informations sont disponibles dans la section concernant les commandes à distance.

---

# Fonctionnement à distance (modèles P uniquement)

Il est possible de commander l'appareil à distance par le biais des interfaces RS232, USB, LAN ou GPIB.

La télécommande USB fonctionne de la même manière que pour l'utilisation d'une interface RS232, mais par l'intermédiaire du connecteur USB. Le logiciel fourni avec l'appareil configure l'ordinateur de contrôle pour traiter la connexion USB comme un port COM virtuel. Le logiciel d'application de l'ordinateur peut ensuite communiquer avec l'appareil via le port COM.

L'interface LAN (réseau local) est conçue pour répondre aux critères LXI (Lan eXtensions for Instrumentation) de version 1.2 ; l'appareil est conforme aux critères de Classe C. Il est possible d'utiliser l'interface LAN à distance grâce au protocole de prises TCP/IP. L'appareil comprend également un serveur Web de base qui fournit des informations sur l'appareil et permet de le configurer à partir d'un logiciel de navigation Web. Il est également possible de contrôler une ligne de commande simple à partir du logiciel de navigation.

Par défaut, toutes les interfaces sont sous tension en permanence (il s'agit d'une exigence LXI), mais l'accès aux interfaces individuelles peut être restreint à l'aide des options de configuration sur les pages Web.

## Verrouillage de l'interface

Toutes les interfaces sont actives en permanence ; cela élimine la nécessité de sélectionner l'interface active et représente également une exigence de LXI. Afin de réduire le risque que l'instrument soit sous le contrôle de deux interfaces en même temps par inadvertance, un simple mécanisme de verrouillage et de déverrouillage est fourni dans le jeu d'instructions. Le verrou est automatiquement débloqué lorsqu'il est possible de détecter une déconnexion et lorsque le bouton local est enfoncé. L'accès aux interfaces peut également être restreint à l'aide des pages Web.

Toute interface peut requérir le contrôle exclusif de l'appareil en envoyant une commande « IFLOCK ». Le verrou ne peut être débloqué qu'en envoyant une commande « IFUNLOCK » à partir de la session d'interface qui contrôle actuellement le verrou et peut être interrogée à partir de n'importe quelle interface par l'envoi d'une commande « IFLOCK? ». La réponse à l'une de ces commandes sera "-1" si le verrou est détenu par une autre instance d'interface, "0" si l'interface est libre et "1" si le verrou est détenu par l'instance d'interface effectuant la requête. L'envoi de toute commande depuis une interface sans droits de commande qui tente de modifier le statut de l'instrument définit un bit 4 du Event Status Register Standard et place 200 dans le Execution Error Register pour indiquer que les droits sont insuffisants pour l'action requise.

**Remarque :** il est également possible de configurer les droits d'une interface spécifique soit en « lecture seule » soit en « pas d'accès » à partir de l'interface de la page Web.

## Sélection de l'adresse et de la vitesse de transmission et présentation du statut de l'interface

La fonction adresse de l'appareil est requise uniquement par l'interface GPIB. Cependant, il est possible d'utiliser la commande ADDRESS? sur toutes les interfaces pour identifier facilement l'appareil contrôlé par un port COM (pour la connexion RS232 ou USB) ou une prise TCP (pour le LAN) spécifique. Remarque : l'interface LAN dispose également d'une fonction « Identifier » séparée, accessible à partir des pages Web de l'appareil qui fait clignoter l'écran d'affichage de l'appareil jusqu'à l'annulation de la fonction.

Pour accéder à l'adresse de l'interface ou à la vitesse de transmission, le mode ◀ CONTROL ▶ doit d'abord être réglé sur 2 (en sélectionnant la sortie 2 uniquement). Appuyer sur SHIFT, Add/Baud pour afficher l'adresse bus de l'appareil actuellement sélectionné. Appuyer à nouveau sur Add/Baud pour afficher la vitesse de transmission actuellement sélectionnée et alterner entre les deux par pressions répétées de la touche.

Pour modifier l'adresse, faire défiler les adresses disponibles en utilisant la molette commande pas à pas lorsque l'adresse désirée est affichée. L'adresse peut être réglée entre 1 et 31 inclus.

---

L'adresse peut également être définie depuis les pages Web de l'appareil. Pour modifier la vitesse de transmission, faire défiler les vitesses disponibles (de 600 à 19 200, défaut d'usine réglé sur 9 600) à l'aide de la molette de commande pas à pas lorsque la vitesse de transmission est affichée.

Appuyer sur OK pour sélectionner la dernière adresse et la dernière vitesse de transmission affichée ou sur ESCAPE pour conserver les sélections précédentes.

Par défaut, toutes les interfaces sont actives à tout moment. Il est cependant possible de configurer les droits d'une interface spécifique soit en « lecture seule » soit en « pas d'accès » à partir de l'interface de la page Web. Le statut des droits de l'interface peut être visionné, mais ne peut pas être changé à partir du panneau avant.

Pour visionner les droits de l'interface, le mode ◀ CONTROL ▶ doit d'abord être réglé sur 2 (en sélectionnant la sortie 2 uniquement). Appuyer sur SHIFT, Bus Type pour afficher tout d'abord le statut de l'interface GPIB. Pour consulter le statut des droits d'une autre interface, faire défiler la liste de l'interface à l'aide de la molette de commande pas à pas jusqu'à ce que l'interface requise s'affiche. Le statut affiché sera **Fu**ll, **o**FF ou **r**EA**d**.

## Fonctionnement à distance ou local

À la mise sous tension, l'appareil est en fonctionnement local et le voyant REM est éteint. Dans cet état, toutes les opérations sont possibles à partir du clavier. Lorsque l'appareil est adressé comme écouteur et qu'il reçoit une commande, il passe en fonctionnement à distance et le voyant REM s'allume. Dans cet état, le clavier est verrouillé et seules les commandes à distance sont prises en compte. Il est possible de refaire passer l'appareil à l'état local en appuyant sur la touche LOCAL ; toutefois, l'effet de cette action subsistera uniquement jusqu'à ce que l'appareil soit ré adressé ou qu'il reçoive un autre caractère de l'interface ; à ce moment, il sera possible de repasser à nouveau à l'état de fonctionnement à distance.

## Interface RS232

### Connecteur d'interface RS232

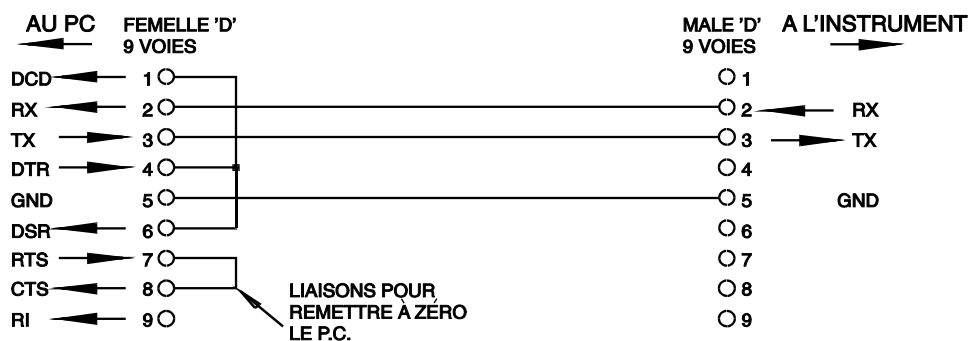
Le connecteur d'interface série type D 9 voies se trouve sur le panneau arrière de l'instrument. Les connexions des broches sont indiquées ci-dessous:

Broche	Nom	Description
1	RI	Assertion passive (+V à travers 10 kΩ)
2	TXD	Données transmises à partir de l'appareil
3	RXD	Données reçues par l'appareil
4	CTS	
5	GND	Terre de signal
6	RTS	Assertion passive (+V à travers 10 kΩ)
7	DSR	Aucune connexion interne
8	DTR	
9	CD	Aucune connexion interne

### Connexions RS232

L'interface RS232 doit être connectée à un port PC standard à l'aide d'un câble 1:1 mâle femelle entièrement câblé sans connexion croisée. Il est également possible de connecter uniquement les broches 2, 3 et 5 au PC, mais avec des liaisons dans le connecteur côté PC entre les broches 1, 4 et 6 et entre les broches 7 et 8, se reporter au schéma.





La sélection de la vitesse de transmission a été décrite précédemment (chapitre Sélection de l'adresse et de la vitesse de transmission), les autres paramètres sont fixés comme suit :

Bits de départ : 1                      Parité : Aucune  
 Bits de données : 8                      Bits d'arrêt : 1

### Jeu de caractères RS232

En raison de la nécessité d'un protocole XON/XOFF, il n'est possible de transmettre que des données en code ASCII ; les blocs binaires ne sont pas admis. Le bit 7 des codes ASCII est ignoré, c'est-à-dire qu'il est supposé bas. Aucune distinction n'est faite entre les majuscules et les minuscules pour les mnémoniques de commande et on peut les mélanger librement. Dans ce manuel, 20H signifie 20 en hexadécimal.

### Interface USB

L'interface USB est un port COM virtuel pouvant être contrôlé à partir d'un PC comme s'il s'agissait d'un appareil RS232. L'appareil est fourni avec un CD contenant un fichier .inf pour les pilotes Microsoft standard disponibles sous Windows 2000, XP, Vista and Windows 7 ; le logiciel d'aide à l'installation installe le lecteur (32-bit ou 64-bit) approprié en fonction du système d'exploitation du PC. Toutes les mises à jour sont disponibles via le site Internet de TTI, [www.tti-test.com](http://www.tti-test.com).

L'installation du pilote d'interface s'effectue en connectant l'appareil à un PC via un câble USB standard. Les fonctions 'Plug & Play' de Windows doivent automatiquement reconnaître l'ajout d'un nouveau matériel sur l'interface USB et si c'est la première fois que la connexion est établie, elles demanderont l'emplacement d'un pilote convenable. À condition que les invites standard de Windows soient correctement suivies, Windows installera le pilote approprié et établira un port COM virtuel dans le PC. Le numéro du nouveau port COM dépendra du nombre de ports COM coexistants dans le PC. Le port COM virtuel peut être piloté par les applications Windows exactement de la même manière qu'un port standard, sauf que le réglage de la vitesse de transmission du port COM virtuel est ignoré.

Le pilote restera installé sur le PC de façon à ce que l'établissement d'un port COM virtuel soit effectué automatiquement chaque fois que l'appareil sera connecté au PC via l'USB à l'avenir.

Des ports COM supplémentaires sont créés pour chaque appareil supplémentaire connecté au PC via l'USB. Chaque appareil reçoit un port COM virtuel différent la première fois qu'il est connecté et ce même port COM sera utilisé chaque fois qu'un appareil est reconnecté ; le logiciel PC utilise le code unique intégré dans chaque appareil pour le lier au même port COM virtuel, quel que soit le port USB utilisé.

La commande ADDRESS? peut également être utilisée pour repérer facilement quel appareil est contrôlé par un port COM spécifique. Bien que la capacité d'adressage soit ignorée dans le mode de fonctionnement USB, l'adresse peut toujours être réglée et utilisée comme un identificateur ; régler chaque appareil connecté via l'USB avec une adresse différente et envoyer la commande ADDRESS? pour chaque port COM virtuel afin de confirmer quel appareil est connecté à ce port.

---

## Interface LAN

L'interface LAN est conçue conformément au standard LXI version 1.2 et contient les interfaces et protocoles décrits ci-dessous. Comme il est possible de mal configurer l'interface LAN et ainsi d'empêcher toute communication avec l'appareil sur le réseau local, il existe un mécanisme LAN Configuration Initialise (Configuration et Initialisation du Réseau Local) (LCI) accessible au moyen d'un commutateur encastré dans le panneau arrière qui permet de réinitialiser l'appareil afin de retourner aux réglages par défaut d'usine. Par défaut, l'appareil essaie d'obtenir les réglages via le DHCP s'il est disponible ou, si le délai d'attente du DHCP expire (30 secondes), via l'Auto-IP. Dans le cas improbable où aucune adresse Auto-IP n'est trouvée, une adresse IP statique de 192.168.0.100 est assignée. La réinitialisation du LAN supprime toute protection par mot de passe.

Pour de plus amples informations sur les standards LXI, se référer au site [www.lxistandard.org/home](http://www.lxistandard.org/home).

## Connexion LAN

Pour utiliser l'interface LAN, il est nécessaire de connaître l'adresse IP de l'appareil. Le CD-ROM fourni contient un outil de découverte LXI Discovery Tool qui peut être utilisé pour afficher les adresses IP (et autres informations associées) de tous les appareils connectés conformes au protocole de découverte VXI-11. Cet outil est une application pour PC fonctionnant sur Windows qui doit être installée et exécutée sur le PC de commande lorsque l'appareil est connecté directement sur la connexion réseau du PC ou via un routeur. Il est recommandé de connecter l'appareil par le biais d'un routeur, car l'adresse IP est ainsi assignée plus rapidement. Si l'appareil est connecté directement sur le PC, l'assignation de l'adresse IP ne commencera qu'après un délai d'expiration du DHCP de 30 secondes. Lorsque l'on double clique sur l'une des entrées de la liste des appareils découverts, le logiciel de navigation Web du PC s'ouvre et affiche la page d'accueil de cet appareil.

Des outils de découverte LAN sont également inclus dans le progiciel National Instruments Measurement and Automation Explorer et l'application Agilent Vee.

Dès qu'elle est mise sous tension, l'unité tente d'obtenir les paramètres via le DHCP s'il est disponible ou, si le délai d'attente du DHCP est dépassé (30 secondes), via l'Auto-IP. Dans le cas improbable où aucune adresse Auto-IP n'est trouvée, une adresse IP statique de 192.168.0.100 est assignée. Pendant ce temps, le voyant LAN s'allume et reste allumé si une connexion LAN est établie. Cependant, si la connexion n'est toujours pas établie à la fin du processus ci-dessus, ou si le connecteur LAN est retiré manuellement à tout moment, le voyant LAN s'éteint ; se reporter au chapitre Erreur LAN pour plus de détails.

## Serveur Web ; Protection de la configuration par mot de passe

L'appareil contient un serveur Web de base. Celui-ci fournit des informations sur l'appareil et permet de le configurer. La page de configuration peut être protégée par mot de passe afin de limiter les changements non autorisés de configuration de la commande à distance ; la page est configurée par défaut sur « pas de mot de passe ».

La page de configuration contient les explications nécessaires pour régler le mot de passe. Le mot de passe peut faire jusqu'à 15 caractères ; noter que le **Nom d'utilisateur ne doit pas être saisi**. Cependant, si le commutateur LAN RESET du panneau arrière est utilisé pour réinitialiser les paramètres LAN à leur réglage par défaut d'usine, le mot de passe est réinitialisé à l'option par défaut (pas de mot de passe).

Les pages Web ont également une fonction « Identifier » qui permet à l'utilisateur d'envoyer une commande identifiant l'appareil. Cette fonction fait clignoter les écrans d'affichage jusqu'à l'annulation de la commande.

## Serveur ICMP Ping

L'appareil contient un serveur ICMP permettant d'effectuer une recherche de paquets Internet sur l'appareil grâce à son nom d'hôte ou son adresse IP.

---

## Protocole de découverte VXI-11

Le support VXI-11 de l'appareil est très limité, suffisant pour le protocole de découverte, mais aucune autre fonction.

L'appareil utilise un scanner de port Sun RPC sur le port TCP 111 et le port UDP 111 tel que défini en RPC1183. Les appels pris en charge sont : NULL (nul), GET PORT (obtenir port) et DUMP (vidage).

Sur le port TCP 1024, un protocole VXI-11 très simple est exécuté de façon suffisante seulement pour la découverte d'appareils. Celui-ci exécute les appels suivants : CREATE LINK (créer lien), DEVICE\_WRITE (appareil\_écrire), DEVICE\_READ (appareil\_lire) et DESTROY\_LINK (détruire\_lien).

Lorsqu'un lien a été créé, toute donnée écrite sur l'appareil est ignorée et toute lecture de l'appareil renvoie la chaîne d'identification comme attendu d'une commande "\*IDN?" du formulaire.

*'Fabricant,Modèle,No. de Série,X.xx – Y.yy'*

*par exemple*

*SORENSEN, XDL 35-5TP, 279730, 1.00 – 1.00*

où 'X.xx' est la version du microprogramme principal et 'Y.yy' la version du microprogramme de l'interface. Le microprogramme de l'interface est un champ utilisateur qui peut être mis à jour par le biais du port USB.

## Nom de ressource VISA

Compte tenu du support limité de VXI-11 (protocole de découverte uniquement), l'appareil doit être identifié par les données brutes de la prise lorsqu'il est utilisé avec des logiciels communiquant par le biais d'un nom de ressource VISA. Par exemple, un appareil dont l'adresse IP est 192.168.1.100 dispose normalement d'un nom de ressource VISA

"TCPIP0::192.168.1.100::inst0::INSTR", mais pour cet instrument, le nom doit être modifié tel qu'il suit : "TCPIP0::192.168.1.100::9221::SOCKET". 9221 est le port TCP utilisé pour commander et contrôler l'appareil, voir ci-dessous.

## URL du document d'identification XML

En conformité avec la norme LXI, l'appareil fournit un document d'identification XML qui peut être interrogé au moyen d'une commande GET (obtenir) sur « <http://<hostname>:80/lxi/identification> » compatible avec les normes du Schéma XSD LXI (disponible sur <http://www.lxistandard.org/InstrumentIdentification/1.0>) et du Schéma W3C XML (<http://www.w3.org/XML/Schema>). Ce document décrit l'appareil.

## Prises TCP

L'appareil utilise 2 prises sur le port TCP 9221 pour commander et contrôler l'appareil. Les commandes textuelles sont envoyées sur ce port comme défini au chapitre « Commandes à distance » et toute réponse est renvoyée par le même port. Toute chaîne doit être composée d'une ou plusieurs commandes complètes. Les commandes peuvent être séparées par des points-virgules « ; » ou des sauts de ligne. Aucune terminaison n'est nécessaire, car le cadre TCP contient les commandes complètes, bien que les commandes puissent être envoyées avec une terminaison si on le souhaite (celle-ci sera ignorée). Chaque commande sur TCP se comporte comme si elle se terminait par une terminaison de commande (caractère ASCII 0AH, saut de ligne).

## Erreur LAN

Si une connexion LAN est effectuée, mais qu'une erreur est détectée (par exemple, l'adresse IP est la même que celle d'un autre appareil du réseau) alors, le voyant LAN de l'instrument (au-dessus des compteurs Output 2) s'éteint jusqu'à ce que l'erreur soit corrigée. Si une erreur LAN se produit ; vérifier et corriger la configuration de l'instrument ; un mécanisme LAN Configuration Initialise (LCI) (Initialisation de la Configuration LAN) est fourni via un commutateur encastré sur le panneau arrière (marqué LAN RESET (RÉINITIALISATION LAN)) afin de réinitialiser l'unité sur le paramétrage d'usine par défaut. Par défaut, l'appareil essaie d'obtenir les réglages via le

---

DHCP s'il est disponible ou, si le délai d'attente du DHCP expire (30 secondes), via l'Auto-IP. Dans le cas improbable où aucune adresse Auto-IP n'est trouvée, une adresse IP statique de 192.168.0.100 est assignée.

Si à aucun moment le système ne trouve de connexion physique LAN, le voyant LAN s'éteint.

## Interface GPIB

Lorsque l'interface GPIB est montée, le connecteur 24 voies GPIB se trouve sur le panneau arrière de l'instrument. Les connexions des broches sont spécifiées à la norme IEEE 488.1-1987 et l'instrument doit être conforme aux normes IEEE 488.1-1987 et IEEE 488.2-1987.

### Sous-ensembles GPIB

Cet instrument contient les sous-ensembles IEEE 488.1 suivants:

Source Handshake (établissement de liaison avec l'émission)	SH1
Acceptor Handshake (acceptation de liaison)	AH1
Talker (émetteur)	T6
Listener (récepteur)	L4
Service Request (demande de service)	SR1
Remote Local (à distance local)	RL1
Parallel Poll (scrutation parallèle)	PP1
Device Clear (initialisation dispositif)	DC1
Device Trigger (déclenchement dispositif)	DT0
Controller (contrôleur)	C0
Electrical Interface (interface électrique)	E2

### Traitement des erreurs GPIB norme IEEE 488.2 – registre d'erreurs d'interrogation

L'IEEE 488.2 UNTERMINATED error (erreur non terminée IEEE 488.2) (mode d'émission, mais rien à émettre) est traitée de la manière suivante. Si l'instrument est en mode d'émission, que le formateur de réponse est inactif et que la file d'attente d'entrée est vide, UNTERMINATED error est généré. Ceci entraîne le positionnement du bit Query Error (erreur d'interrogation) dans le Standard Event Status Register (registre d'état d'événement standard) et une valeur de 3 dans le Query Error Register (registre d'erreurs d'interrogation) et la réinitialisation de l'analyseur syntaxique. Se reporter à la section Rapport d'état pour plus d'informations.

L'IEEE 488.2 INTERRUPTED error (erreur interrompue IEEE 488.2) est traitée de la manière suivante. Si le formateur de réponse attend de transmettre un message de réponse et qu'un <PROGRAM MESSAGE TERMINATOR> (terminaison de message de programme) a été lu par l'analyseur syntaxique ou que la file d'attente d'entrée contient plus d'un message END (fin), ceci indique que l'instrument a été INTERRUPTED (interrompu) qu'une erreur est générée. Ceci entraîne le positionnement du bit Query Error dans le Standard Event Status Register et une valeur de 1 dans le Query Error Register et la réinitialisation du formateur de réponse, ce qui vide la file d'attente de sortie. L'analyseur syntaxique commence alors à analyser le <PROGRAM MESSAGE UNIT> (unité de message de programme) suivant de la file d'attente d'entrée. Se reporter à la section Rapport d'état pour plus d'informations.

L'IEEE 488.2 DEADLOCK error (erreur de blocage fatal IEEE 488.2) est traitée de la manière suivante. Si le formateur de réponse attend de transmettre un message de réponse et que la file d'entrée devient pleine, l'instrument passe à l'état DEADLOCK (blocage fatal) et une erreur est générée. Ceci entraîne le positionnement du bit Query Error dans le Standard Event Status Register et une valeur de 2 dans le Query Error Register et la réinitialisation du formateur de réponse, ce qui vide la file d'attente de sortie. L'analyseur syntaxique commence alors à analyser le <PROGRAM MESSAGE UNIT> suivant de la file d'attente d'entrée. Se reporter à la section Rapport d'état pour plus d'informations.

## Scrutation parallèle GPIB

Cet instrument fournit des capacités de scrutation parallèle complètes. Le Parallel Poll Enable Register (registre d'activation de scrutation parallèle) est réglé pour spécifier les bits du Status Byte Register (registre d'octets d'état) qui doivent être utilisés pour constituer le message local *ist*. Le Parallel Poll Enable Register est réglé par la commande \*PRE <nrf> puis lu par la commande \*PRE?. La valeur du Parallel Poll Enable Register est liée en montage ET avec le Status Byte Register; si le résultat est zéro, la valeur de *ist* est 0, sinon la valeur de *ist* est 1.

Il faut également configurer l'instrument afin que la valeur de *ist* puisse retourner au contrôleur lors d'une opération de scrutation parallèle. L'instrument est configuré par le contrôleur qui transmet une commande Parallel Poll Configure (PPC) (configuration scrutation parallèle) suivie d'une commande Parallel Poll Enable (PPE) (activation scrutation parallèle). Les bits de la commande PPE sont indiqués ci-dessous:

bit 7 =	X	sans effet
bit 6 =	1	activation scrutation parallèle
bit 5 =	1	
bit 4 =	0	
bit 3 =	Détection	détection du bit de réponse; 0 = bas, 1 = haut
bit 2 =	?	position de bit de la réponse
bit 1 =	?	
bit 0 =	?	

*Exemple.* Pour retourner le bit RQS (bit 6 du Status Byte Register) au niveau 1 à l'état vrai et au niveau 0 à l'état faux à la position de bit 1 en réponse à une scrutation parallèle, transmettre les commandes suivantes :

\*PRE 64<pmt>, puis PPC suivi de 69H (PPE)

La réponse de scrutation parallèle de l'instrument sera alors 00H si RQS est 0 et 01H si RQS est 1.

Pendant la réponse de scrutation parallèle, les lignes d'interface DIO sont terminées de manière résistive (terminaison passive). Ceci permet à plusieurs dispositifs de partager la même position de bit de réponse en configuration de câblage en ET ou OU, se reporter à IEEE 488.1 pour plus d'informations.

## Rapport d'état

Cette section décrit le modèle d'état complet de l'instrument. Noter que certains registres sont spécifiques à la section GPIB de l'instrument et que leur utilisation est donc restreinte dans un environnement RS232.

### Registres d'état d'événement standard et d'activation d'état d'événement standard

Ces deux registres sont mis en oeuvre comme exigé par la norme IEEE 488.2.

Tous les bits définis dans le Standard Event Status Register qui correspondent aux bits positionnés dans le Standard Event Status Enable Register entraîneront le positionnement du bit ESB dans le Status Byte Register.

Le Standard Event Status Register est lu, puis vidé par la commande \*ESR?. Le Standard Event Status Enable Register est réglé par la commande \*ESE <nrf> et lu par la commande \*ESE?.

Bit 7 - Mise sous tension. Réglé la première fois qu'on applique l'alimentation à l'instrument.

Bit 6 - Non utilisé.

Bit 5 - Erreur de commande. Réglé lorsqu'une erreur de type syntaxique est détectée dans une commande provenant du bus. L'analyseur syntaxique est réinitialisé et l'analyse continue à l'octet suivant du flux d'entrée.

- 
- Bit 4 - Erreur d'exécution. Réglé en cas d'erreur lors d'une tentative d'exécution d'une commande entièrement analysée. Le numéro d'erreur approprié est signalé dans l'Execution Error Register (registre d'erreur d'exécution).
    - 1- 99 Indique qu'une erreur matérielle a été rencontrée.
    - 116 Un rappel de données de configuration a été demandé mais la mémoire spécifiée ne contient aucune donnée.
    - 117 Un rappel de données de configuration a été demandé mais la mémoire spécifiée contient des données corrompues. Ceci indique soit une panne matérielle soit une corruption de données temporaire qui peut être corrigée en ré-écrivant ces données en mémoire.
    - 120 La valeur numérique envoyée avec la commande était trop grande ou trop petite. Cela comprend les nombres négatifs là où seuls des nombres positifs sont acceptés.
    - 123 Un rappel/enregistrement de données de configuration a été demandé de/vers un numéro d'enregistrement illégal.
    - 124 Un changement de plage a été demandé mais les réglages actuels du générateur le rendent illégal – voir les instructions de fonctionnement manuel pour les détails.
    - 200 Lecture uniquement : une tentative de modification des réglages de l'appareil a été effectuée à partir d'une interface sans privilèges d'écriture, se reporter au chapitre sur le Verrouillage de l'interface.
  - Bit 3 - Erreur Verify Timeout (expiration de vérification). Réglé quand un paramètre est programmé avec 'vérifier' spécifié et que la valeur n'est pas atteinte dans les 5 secondes, par ex. la tension de sortie est abaissée par un grand condensateur placé sur la sortie.
  - Bit 2 - Erreur d'interrogation. Réglé en cas d'erreur d'interrogation. Le numéro d'erreur approprié sera signalé dans le Query Error Register, comme indiqué ci-dessous.
    - 1. Interrupted error (Erreur interrompue)
    - 2. Deadlock error (Erreur de blocage fatal)
    - 3. Unterminated error (Erreur non terminée)
  - Bit 1 - Non utilisé
  - Bit 0 - Opération terminée. Réglé en réponse à la commande \*OPC.

### **Registre d'état d'événement limite et Registre d'activation d'état d'événement limite**

Deux paires de registres sont mis en œuvre comme ajout à la norme IEEE 488.2. Chaque paire consiste en un Limit Event Status Register et un Limit Status Event Enable Register d'accompagnement. Limit Event Status Register 1 (LSR1) et Limit Event Status Enable Register 1 (LSE1) s'appliquent à la sortie 1. Limit Event Status Register 2 (LSR2) et Limit Event Status Enable Register 2 (LSE2) s'appliquent à la sortie 2 et à la sortie Auxiliaire. Leur objectif est d'informer le contrôleur de l'entrée et/ou de la saisie des conditions de limites d'intensité ou de tension en enregistrant un historique des conditions de déclenchement des protection depuis la dernière lecture.

Tout bit réglé dans un Limit Event Status Register correspondant au bit réglé dans le Limit Event Status Enable Register qui l'accompagne provoque le réglage du bit LIM1 ou LIM2 dans le Status Byte Register.

Les Limit Event Status Registers 1 et 2 sont lus et effacées par les commandes LSR1? et LSR2? respectivement. Les Limit Event Status Enable Registers 1 et 2 sont programmés par les commandes LSE1<nrf> et LSE2<nrf> et lus par les commandes LSE1? et LSE2? respectivement.

#### **Limit Event Status Register 1**

- Bit 7 - Non utilisé
- Bit 6 - Non utilisé

- 
- Bit 5 - Réglé quand un déclenchement de détection de sortie 1 est survenu
  - Bit 4 - Réglé quand un déclenchement thermique de sortie 1 est survenu
  - Bit 3 - Réglé quand un déclenchement de surintensité de sortie 1 est survenu
  - Bit 2 - Réglé quand un déclenchement de surtension de sortie 1 est survenu
  - Bit 1 - Réglé quand la sortie 1 entre dans la limite d'intensité (mode d'intensité constante)
  - Bit 0 - Réglé quand la sortie 1 entre dans la limite de tension (mode de tension constante)

### **Limit Event Status Register 2**

- Bit 7 - Réglé lorsque le déclenchement de la sortie auxiliaire est survenu
- Bit 6 - Réglé quand la sortie auxiliaire entre en limite d'intensité
- Bit 5 - Réglé quand un déclenchement de détection de sortie 2 est survenu
- Bit 4 - Réglé quand un déclenchement thermique de sortie 2 est survenu
- Bit 3 - Réglé quand un déclenchement de surintensité de sortie 2 est survenu
- Bit 2 - Réglé quand un déclenchement de surtension de sortie 2 est survenu
- Bit 1 - Réglé quand la sortie 2 entre dans la limite d'intensité (mode d'intensité constante)
- Bit 0 - Réglé quand la sortie 2 entre dans la limite de tension (mode de tension constante)

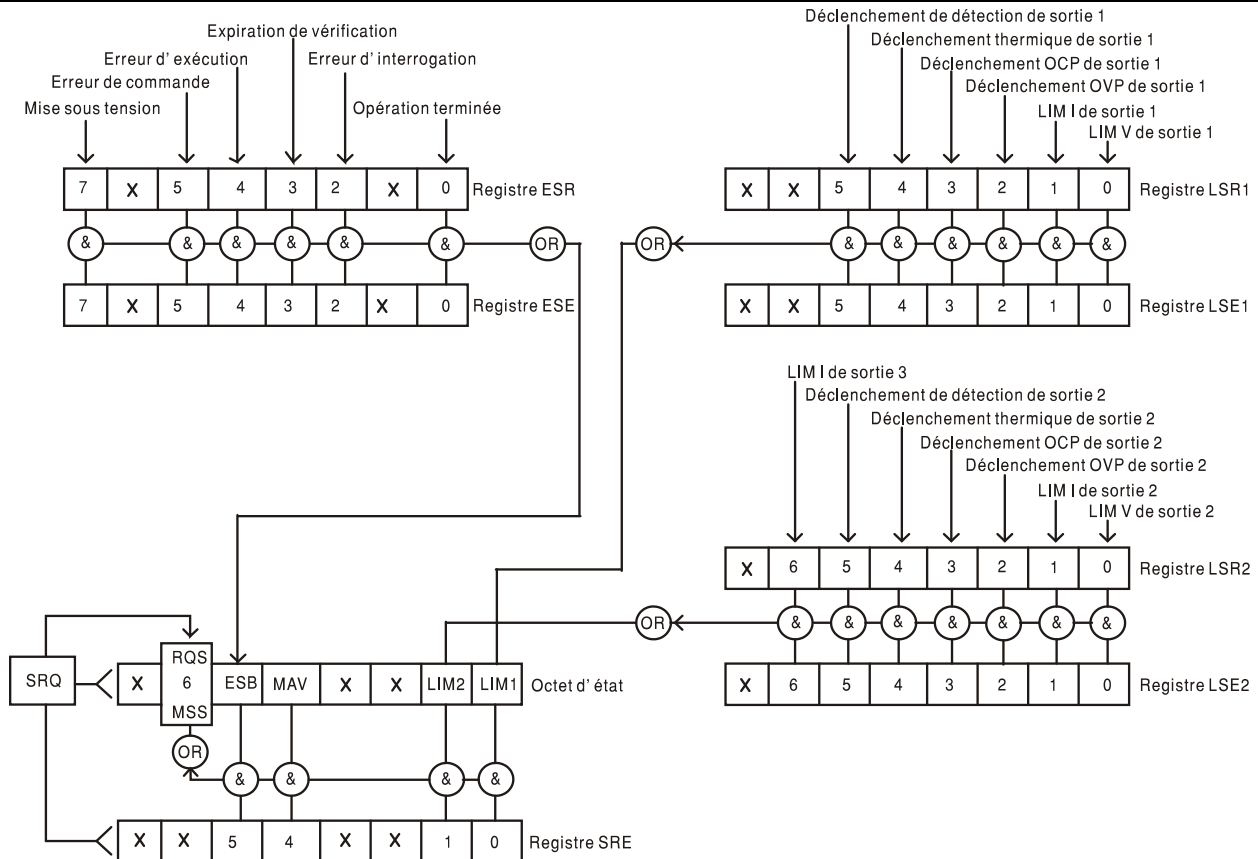
### **Status Byte Register et Service Request Enable Register (Registre d'activation de demande de service)**

Ces deux registres sont mis en oeuvre comme exigé par la norme IEEE 488.2.

Tous les bits définis dans le Status Byte Register qui correspondent aux bits positionnés dans le Service Request Enable Register entraîneront le positionnement du bit RQS/MSS dans le Status Byte Register, ce qui génère une Service Request sur le bus.

Le Standard Event Status Register est lu, soit par la commande \*STB?, qui renvoie MSS au bit 6 soit par une Serial Poll (scrutation série) qui renvoie RQS au bit 6. Service Request Enable Register est réglé par la commande \*SRE <nrf> et lu par la commande \*SRE?.

- Bit 7 - Non utilisé.
- Bit 6 - RQS/MSS. Ce bit, défini par la norme IEEE 488.2, contient à la fois le message Requesting Service et le message Master Status Summary (résumé d'état principal). RQS est renvoyé en réponse à Serial Poll et MSS en réponse à la commande \*STB?.
- Bit 5 - ESB. Event Status Bit (bit d'état d'événement). Ce bit est réglé si des bits positionnés dans le Standard Event Status Register correspondent aux bits réglés au Standard Event Status Enable Register.
- Bit 4 - MAV. Message Available Bit (bit de message disponible). Ce bit est réglé lorsqu'un message de réponse de l'instrument est mis en forme et qu'il est prêt à être transmis au contrôleur. Le bit sera réinitialisé lorsque le Response Message Terminator (terminaison de message de réponse) a été transmis.
- Bit 3 - Non utilisé.
- Bit 2 - Non utilisé.
- Bit 1 - LIM2. Ce bit sera réglé si des bits sont programmés dans le Limit Event Status Register 2 et que des bits correspondants sont réglés dans le Limit Event Status Enable Register 2.
- Bit 0 - LIM1. Ce bit sera réglé si des bits sont programmés dans le Limit Event Status Register 1 et que des bits correspondants sont réglés dans le Limit Event Status Enable Register 1.



### Modèle d'état

(pour les modèles à sortie unique, ignorer LSR2, LSE2 et LIM2)

### Réglages à la mise en marche

Les valeurs suivantes d'état d'instrument sont réglées à l'allumage:

Status Byte Register	= 0
Service Request Enable Register †	= 0
Standard Event Status Register	= 128 (bit pon réglé)
Standard Event Status Enable Register †	= 0
Execution Error Register	= 0
Query Error Register	= 0
Parallel Poll Enable Register †	= 0

†= Les registres marqués de cette manière sont spécifiques à la section GPIB de l'instrument et leur utilisation est restreinte par le biais d'autres interfaces.

L'instrument sera à l'état local, le clavier actif.

Les paramètres de l'instrument à l'allumage sont les mêmes que la dernière fois qu'on l'a éteint, à l'exception de l'état de sortie. Par défaut, cette dernière est toujours coupée à la mise sous tension, mais l'utilisateur peut le modifier pour avoir le même état à la mise sous tension que lors du dernier arrêt de l'appareil.

La commande \*RST (reset) réinitialise l'appareil aux réglages de commande à distance par défaut.

Les réglages de commande à distance par défaut sont :

$V_{out}=1\text{ V}$ ,  $I_{out}=1\text{ A}$ ,  $\Delta V=0\text{ mV}$ ,  $\Delta I=0\text{ mA}$  pour tous les modèles.

OVP = 40 V et OCP = 5,5 A pour les modèles XDL 35-5 ; OVP = 60 V et OCP = 4,4 A pour les modèles XDL 56-4.

Les réglages de l'interface à distance et le réglage de l'état de sortie au démarrage restent inchangés par la commande \*RST.

La détection à distance est réglée sur fonctionnement local.



---

# Commandes à distance

## Format de commande à distance RS232/USB

L'entrée série de l'appareil est mise en tampon dans une file d'attente d'entrée de 256 octets remplie, sous interruption, de manière transparente à toutes les autres opérations de l'appareil. L'appareil transmettra un signal XOFF lorsqu'environ 200 caractères se trouvent dans la file d'attente. Le signal XON sera transmis lorsqu'environ 100 espaces libres deviennent disponibles dans la file d'attente après transmission de XOFF. Cette file d'attente contient des données pures (non analysées sur le plan syntaxique) qui sont acceptées par l'analyseur, le cas échéant. Les commandes (et interrogations) sont exécutées dans l'ordre et l'analyseur de syntaxe ne commence pas de nouvelle commande avant que la commande ou l'interrogation précédente ne soit achevée.

En mode RS232, les réponses aux commandes ou interrogations sont immédiatement transmises ; il n'y a pas de file d'attente de sortie.

L'entrée USB est compatible avec le standard USB 2.0 (Mode Rapide).

Les commandes doivent être envoyées comme spécifiées dans la liste des commandes et doivent être suivies du code terminateur de commande 0AH (saut de ligne, LF). Les commandes peuvent être envoyées en groupe, séparées les unes des autres par le code séparateur 3BH (;). Le groupe doit être suivi du code terminateur de commande 0AH (saut de ligne, LF).

Les réponses de l'appareil au contrôleur sont envoyées comme spécifiées dans la liste des commandes. Chaque réponse se termine par 0DH (retour chariot, CR) suivi de 0AH (saut de ligne, LF).

<WHITE SPACE> (espace blanc) est défini sous forme de codes de caractères 00H à 20H inclus.

<WHITE SPACE> est ignoré, sauf dans les identifiants de commande, par exemple « \*C LS » n'est pas équivalent à « \*CLS ».

Le bit haut des différents caractères est ignoré.

Les commandes acceptent indifféremment les minuscules et majuscules.

## Formats de commande à distance GPIB

L'entrée GPIB de l'appareil est mise en tampon dans une file d'attente d'entrée de 256 octets remplie, sous interruption, de manière transparente à toutes les autres opérations de l'appareil. La file d'attente contient des données pures (non analysées sur le plan syntaxique) qui sont acceptées par l'analyseur, le cas échéant. Les commandes (et interrogations) sont exécutées dans l'ordre et l'analyseur de syntaxe ne commence pas de nouvelle commande avant que la commande ou l'interrogation précédente ne soit achevée. Il n'y a pas de file d'attente de sortie, ce qui signifie que le dispositif de mise en forme des réponses attend, indéfiniment si nécessaire, que l'appareil soit adressé en mode parleur et que le message de réponse complet ait été envoyé avant que l'analyseur ne puisse commencer la commande suivante de la file d'attente d'entrée.

Les commandes sont transmises en tant que <PROGRAM MESSAGES> (messages de programme) par le contrôleur et chaque message n'a aucun élément <PROGRAM MESSAGE UNIT> (unité de message de programme) ou est constitué d'un ou plusieurs éléments <PROGRAM MESSAGE UNIT> séparés par des éléments <PROGRAM MESSAGE UNIT SEPARATOR> (séparateur d'unité de message de programme).

Une <PROGRAM MESSAGE UNIT> est une commande quelconque parmi celles de la liste des commandes à distance.

Un <PROGRAM MESSAGE UNIT SEPARATOR> est le caractère point-virgule ';' (3BH).

Les <PROGRAM MESSAGES> sont séparés par des éléments <PROGRAM MESSAGE TERMINATOR> (terminaison de message de programme) qui peuvent être constitués d'un des éléments suivants :

NL	Caractère nouvelle ligne (0AH)
NL^END	Caractère nouvelle ligne avec message END (fin)
^END	Message END (fin) avec le dernier caractère du message

---

Les réponses de l'appareil au contrôleur sont transmises en tant que <RESPONSE MESSAGES> (messages de réponse). Un <RESPONSE MESSAGE> est constitué d'un <RESPONSE MESSAGE UNIT> (unité de message de réponse) suivi d'un <RESPONSE MESSAGE TERMINATOR> (terminaison de message de réponse).

Un <RESPONSE MESSAGE TERMINATOR> est le caractère de nouvelle ligne avec le message NL^END.

Chaque interrogation produit un <RESPONSE MESSAGE> (message de réponse) spécifique listé avec la commande dans la liste des commandes à distance.

<WHITE SPACE> est ignoré, sauf dans les identifiants de commande, par exemple « \*C LS » n'est pas équivalent à « \*CLS ». <WHITE SPACE> correspond aux codes de caractères 00H à 20H inclus, à l'exception du caractère NL (0AH).

Le bit haut des différents caractères est ignoré.

Les commandes acceptent indifféremment les minuscules et majuscules.

## Liste des commandes

Ce chapitre répertorie toutes les commandes et interrogations mises en œuvre dans cet appareil. Les commandes sont présentées en ordre alphabétique dans les groupes de fonction.

Remarque : il n'y a pas de paramètres dépendants, de paramètres couplés, de commandes de chevauchement, d'éléments de données de programme d'expression, ni d'en-têtes de programmes de commande composés, et chaque commande est entièrement exécutée avant le début de la commande suivante. Toutes les commandes sont séquentielles et le message signalant que l'opération est terminée est, dans tous les cas, généré immédiatement après l'exécution.

La nomenclature suivante est utilisée :

<rmt>	<RESPONSE MESSAGE TERMINATOR> (terminaison de message de réponse)
<nrf>	Nombre sous tout format, par exemple 12, 12 00, 1 2e1 et 120e-1 est accepté en tant que le numéro 12. Tout numéro, après sa réception, est converti à la précision requise correspondant à l'utilisation, puis arrondi à la première valeur supérieure de manière à obtenir la valeur de la commande.
<nr1>	Nombre sans partie décimale, c'est-à-dire nombre entier.
<nr2>	Un nombre sous format de virgule fixe, par ex. 11,52, 0,78, etc.
<n>	Le numéro de la sortie ou du registre d'état auquel la commande correspond. Remarque : sur les appareils à sortie unique, <n> est toujours égal à 1. Remarque : <n>=3 se rapporte à la sortie AUX. La sortie AUX bénéficie de fonctionnalités de commande à distance limitées. À des fins de clarté, les commandes où <n>=3 peut être utilisé font l'objet de commentaires explicites ; dans tous les autres cas, seuls <n>=1 ou <n>=2 peuvent être utilisés.

Les commandes qui commencent par un \* sont celles spécifiées par les normes IEEE. 488.2 comme Commandes communes. Elles sont toutes opérationnelles lorsqu'elles sont utilisées sur les autres interfaces, mais certaines n'auront qu'une utilité restreinte.

## Commandes spécifiques de l'instrument

Pour les commandes spécifiées comme 'WITH VERIFY' (avec vérification), l'opération est terminée quand le paramètre à ajuster atteint la valeur requise à +/5% ou +/10 comptes, la plus grande étant retenue. Si la valeur ne parvient pas à se stabiliser dans ces limites dans les 5 secondes, alors le bit 'Verify Timeout' (expiration de la vérification, bit 3) est réglé dans le Standard Event Status Register et l'opération est complétée à la fin de la période d'attente.

Le bit Operation Complete (bit d'exécution d'opération) (bit 0) ne peut être réglé que par le biais de la commande \*OPC. La commande \*OPC (ou \*OPC?) peut être utilisée pour synchroniser les appareils en raison de la nature séquentielle des opérations à distance.

Lorsque l'alimentation est utilisée en mode LINK, les commandes qui règlent les valeurs et les gammes sont appliquées simultanément aux sorties 1 et 2, que le nombre <n> soit réglé sur 1 ou

---

2. Lorsque la commande nécessite une vérification, celle-ci sera requise des deux sorties avec que la commande ne soit exécutée. De plus, les commandes SAV<n> et RCL<n> fonctionne sur une mémoire non-volatile réservée aux réglages en mode lié et le même effet sera obtenu que <n> soit réglé sur 1 ou 2. Remarque : cependant, <n> fait partie de l'en-tête de la commande et doit être inclus.

V<n> <nrf>	Règle la sortie <n> à <nrf> Volts. Pour la sortie AUX <n>=3
V<n>V <nrf>	Règle la sortie <n> à <nrf> Volts avec vérification. Pour la sortie AUX <n>=3
OVP<n> <nrf>	Règle le point de déclenchement de protection de surtension de la sortie <n> à <nrf> Volts
I<n> <nrf>	Règle la limite d'intensité de sortie <n> à <nrf> A.
OCP<n> <nrf>	Règle le point de déclenchement de protection de surintensité de la sortie <n> à <nrf> Amps.
V<n>?	Renvoie la tension réglée de la sortie <n>. Pour la sortie AUX <n>=3 – la réponse est V <n> <nr2><rmt> où <nr2> est exprimé en volts
I<n>?	Renvoie la limite d'intensité réglée de la sortie <n> – la réponse est I <n> <nr2><rmt> où <nr2> est exprimé en ampères
OVP<n>?	Renvoie le réglage du déclenchement de surtension de la sortie <n> – la réponse est VP<n> <nr2><rmt> où <nr2> est exprimé en volts
OCP<n>?	Renvoie le réglage du déclenchement d'intensité de la sortie <n> – la réponse est IP<n> <nr2><rmt> où <nr2> est exprimé en ampères
V<n>O?	Renvoie la tension de collationnement de la sortie pour la sortie <n>. Pour la sortie AUX <n>=3 – la réponse est <nr2>V<rmt> où <nr2> est exprimé en volts
I<n>O?	Renvoie l'intensité de collationnement de la sortie pour la sortie <n>. Pour la sortie AUX <n>=3 – la réponse est <nr2>V<rmt> où <nr2> est exprimé en volts
RANGE<n> <nrf>	Règle la gamme de tension de la sortie <n> sur <nrf> où <nrf> a la signification suivante : <b>Modèles XDL 35-5</b> : 0=15 V(5 A), 1=35 V(3 A), 2=35 V(500 mA) <b>Modèles XDL 56-4</b> : 0=25 V(4 A), 1=56 V(2 A), 2=56 V(500 mA)
RANGE<n>?	Renvoie la gamme de tension fixée de la sortie <n> – la réponse est R<n> <nr1><rmt> où <nr1> a la signification suivante : <b>Modèles XDL 35-5</b> : 0=15 V(5 A), 1=35 V(3 A), 2=35 V(500 mA) <b>Modèles XDL 56-4</b> : 0=25 V(4 A), 1=56 V(2 A), 2=56 V(500 mA)
DELTA V<n> <nrf>	Règle la taille de pas de tension de la sortie <n> sur <nrf> volts. Pour la sortie AUX <n>=3
DELTA I<n> <nrf>	Règle la taille de pas d'intensité de la sortie <n> sur <nrf> ampères
DELTA V<n>?	Renvoie la taille du pas de tension de la sortie <n>. Pour la sortie AUX <n>=3 – la réponse est <is DELTA V<n> <nr2><rmt> où <nr2> est exprimé en volts
DELTA I<n>?	Renvoie la taille de pas d'intensité de la sortie <n> - la réponse est DELTA I<n> <nr2><rmt> où <nr2> est exprimé en ampères.
INCV<n>	Augmente la tension de la sortie <n> de la taille de pas pour la sortie <n>. Pour la sortie AUX <n>=3
INCV<n>V	Augmente avec vérification la tension de la sortie <n> de la taille de pas pour la sortie <n>. Pour la sortie AUX <n>=3

---

DECV<n>	Diminue la tension de la sortie <n> de la taille de pas pour la sortie <n>. Pour la sortie AUX <n>=3
DECV<n>V	Diminue avec vérification la tension de la sortie <n> de la taille de pas pour la sortie <n>. Pour la sortie AUX <n>=3
INCI<n>	Augmente la limite d'intensité de la sortie <n> de la taille de pas pour la sortie <n>
DECI<n>	Diminue la limite d'intensité de la sortie <n> de la taille de pas pour la sortie <n>
OP<n> <nrf>	Règle la sortie <n> on/off où <nrf> a la signification suivante : 0=OFF, 1=ON Pour la sortie AUX <n>=3
OP<n>?	Renvoie le statut on/off de la sortie <n>. Pour la sortie AUX <n>=3 La réponse est <nr1><rmt> où 1 = ON (activé), 0 = OFF (désactivé).
OPALL <nrf>	Règle simultanément toutes les sorties sur on/off où <nrf> a la signification suivante : 0=ALL OFF (toutes désactivées), 1=ALL ON (toutes activées). Si OPALL active toutes les sorties, toutes les sorties déjà activées (ON) le resteront. Si OPALL désactive toutes les sorties, toutes les sorties déjà désactivées (OFF) le resteront.
SENSE<n> <nrf>	Règle le mode de détection de sortie <n> où <nrf> a la signification suivante : 0=local, 1=distante
MODE <nrf>	Règle le mode de fonctionnement de l'appareil sur LINK ou assigne la commande à la sortie 1 ou 2. <nrf> a la signification suivante : 0 = lié, 1 = assigne la commande à la sortie 1, 2 = assigne la commande à la sortie 2.  Le réglage en mode lié affecte uniquement la façon dont l'appareil répond à certaines commandes à distance. Les commandes de réglage de la gamme, de la tension, de la limite d'intensité, d'OVP ou d'OCP envoyées à la sortie 1 ou à la sortie 2 changeront simultanément le réglage des deux sorties. De même, les commandes d'augmentation/diminution envoyées sur l'une des sorties principales affecteront la tension ou l'intensité sur les deux sorties ; cependant, la taille du pas sera celle de la sortie considérée. L'assignation d'une commande aux sorties 1 ou 2 met fin au mode lié mais n'a aucun autre effet tant que l'appareil ne retourne pas en mode fonctionnement local.  Tout mode de fonctionnement réglé à distance sera conservé lorsque l'appareil repassera en fonctionnement local.
MODE?	Renvoie le mode de fonctionnement actuel - la réponse est LINKED (lié) ou CTRL <n> (commande assignée à la sortie <n>)
TRIPRST	Tentative d'effaçage de toutes les conditions de déclenchement de toutes les sorties
LOCAL	Passe en local
IFLOCK	Demande le verrou d'interface. Cette commande exige un contrôle d'accès exclusif de l'appareil. La réponse est 1 en cas de succès ou -1 si le verrou n'est pas disponible soit parce qu'il est déjà utilisé, soit parce que l'utilisateur a désactivé cette interface pour l'empêcher de prendre le contrôle à l'aide de l'interface Web.
IFLOCK?	Interroge le statut du verrou d'interface. La valeur de retour est 1 si le verrou est détenu par la session d'interface effectuant la requête ; 0 s'il n'y a pas de verrou actif ou -1 si le verrou n'est pas disponible, soit parce qu'il est déjà utilisé, soit parce que l'utilisateur a désactivé cette interface pour l'empêcher de prendre le contrôle à l'aide de l'interface web.

---

---

IFUNLOCK	Débloque le verrou si possible. Cette commande renvoie la valeur 0 en cas de succès. En cas d'échec de cette commande, -1 est renvoyé, 200 est placé dans le Execution Register et le bit 4 du Event Status Register est défini en indiquant qu'il n'y a pas d'autorité pour débloquer le verrou.
LSR<n>?	Interroge et efface LSR<n>, limit status register <n> - la réponse est <nr1><rmt>
LSE<n> <nrf>	Règle la valeur de LSE<n>, limit status enable register <n>, sur <nrf>
LSE<n>?	Renvoie la valeur de LSE<n>, limit status enable register <n> - la réponse est <nr1><rmt>
SAV<n> <nrf>	Sauvegarde le réglage actuel de la sortie <n> dans la mémoire de stockage spécifiée par <nrf> où <nrf> peut être 0-49 pour les sorties principales ou 0-9 pour la sortie AUX sur les modèles TP. Pour la sortie AUX <n>=3 Si l'appareil fonction en mode lié, le réglage de tout l'appareil (à l'exception de la sortie auxiliaire) sera mis en mémoire dans la mémoire de stockage du mode lié spécifiée par <nrf>. La spécification <n> est ignorée. Ceci n'a aucun effet sur les mémoires de stockage PSU<n> individuelles disponibles lorsque le mode lié est désactivé.
RCL<n> <nrf>	Rappelle un réglage pour la sortie <n> dans la mémoire de stockage spécifiée par <nrf> où <nrf> peut être 0-49 pour les sorties principales ou 0-9 pour la sortie AUX sur les modèles TP. Pour la sortie AUX <n>=3 Si l'appareil fonction en mode LINK, le réglage de tout l'appareil (à l'exception de la sortie auxiliaire) sera rappelé à partir de la mémoire de stockage du mode LINK spécifiée par <nrf>. La spécification <n> est ignorée.

### Commandes système et commandes d'état

*RST	Réinitialisation de l'appareil aux réglages par défaut – (voir la rubrique sur les défauts d'usine) à l'exception de tous les réglages d'interface à distance.
EER?	Interroge et vide l'Execution Error Register. Format de la réponse : nr1<rmt>.
QER?	Interroge et vide le Query Error Register. Format de la réponse : nr1<rmt>
*CLS	Clear Status. Vide le Standard Event Status Register (registre d'état d'événement standard), le Query Error Register (registre d'erreur d'interrogation) et l'Execution Error Register (registre d'erreurs d'exécution). Cette fonction vide indirectement le Status Byte Register.(registre d'octets d'état)
*ESE <nrf>	Définit la valeur du Standard Event Status Enable Register comme <nrf>
*ESE?	Renvoi de la valeur du Standard Event Status Enable Register au format numérique <nr1>. Syntaxe de la réponse <nr1><rmt>
*ESR?	Renvoi de la valeur du Standard Event Status Register au format numérique <nr1>. Le registre est ensuite vidé. Syntaxe de la réponse <nr1><rmt>
*IST?	Renvoi du message local ist tel que défini par la norme IEEE 488.2. Syntaxe de la réponse : 0<rmt> si le message local est faux, ou 1<rmt> si le message est vrai.

---

*OPC	Réglage du bit Operation Complete (bit 0) dans le Standard Event Status Register. Ce réglage se produit immédiatement après exécution de la commande en raison de la nature séquentielle de toutes les opérations.
*OPC?	Interroge l'état Operation Complete. La syntaxe de la réponse est 1<rmt>. La réponse sera disponible immédiatement après l'exécution de la commande en raison de la nature séquentielle de toutes les opérations.
*PRE <nrf>	Réglage du Parallel Poll Enable Register sur la valeur <nrf>.
*PRE?	Renvoi de la valeur du Parallel Poll Enable Register au format numérique <nr1>. Syntaxe de la réponse <nr1><rmt>
*SRE <nrf>	Réglage du Service Request Enable Register sur <nrf>.
*SRE?	Renvoi de la valeur du Service Request Enable Register au format numérique <nr1>. Syntaxe de la réponse <nr1><rmt>
*STB?	Renvoi de la valeur du Status Byte Register au format numérique <nr1>. Syntaxe de la réponse <nr1><rmt>
*WAI	Attend que l'état Operation Complete soit vrai. Comme toutes les commandes sont exécutées entièrement avant le démarrage de la commande suivante, cette commande ne joue pas de rôle supplémentaire.

### Commandes diverses

*IDN?	Renvoie l'identification de l'appareil. La réponse exacte est déterminée par la configuration de l'appareil et elle est sous forme <NOM>,<modèle>, 0, <version><rmt> où <NOM> est le nom du constructeur, <modèle> définit le type d'appareil et <version> le niveau de révision du logiciel installé.
ADDRESS?	Renvoie l'adresse de bus de l'appareil. Syntaxe de la réponse <nr1><rmt>
*TST?	Le PSU ne dispose pas de capacité d'essais automatiques et la réponse est toujours 0 <rmt>
*TRG	Le générateur ne dispose pas de capacité de déclenchement.

### Messages d'erreur

Chaque message d'erreur est doté d'un numéro ; seul ce numéro est renvoyé par le biais des interfaces de commande à distance. Les numéros de messages d'erreur ne sont pas affichés, mais placés dans l'Execution Error Register où ils peuvent être lus via les interfaces distantes, se reporter au chapitre Rapport d'état.

---

## Maintenance

Le fabricant ou ses agences à l'étranger proposent un service de réparation pour tout appareil défaillant. Si le propriétaire de ce matériel souhaite en effectuer l'entretien par leurs propres moyens, il est fortement recommandé que ce travail soit effectué exclusivement par un personnel qualifié, à l'aide du guide d'entretien que l'on peut acheter directement chez le fabricant ou ses agents à l'étranger.

### Nettoyage

Si l'appareil a besoin d'être nettoyé, utiliser un chiffon qui aura seulement été légèrement humidifié avec un peu d'eau ou un détergent doux.

**AVERTISSEMENT ! AFIN D'ÉVITER TOUT RISQUE D'ÉLECTROCUTION OU TOUTE DÉTÉRIORATION DE L'APPAREIL, NE JAMAIS LAISSER D'EAU S'INFILTRER À L'INTÉRIEUR DU BOÎTIER. POUR ÉVITER TOUTE DÉTÉRIORATION, NE JAMAIS UTILISER DE SOLVANTS POUR NETTOYER LE BOÎTIER.**

Diese Stromversorgung wurde nach der Sicherheitsklasse (Schutzart) I der IEC-Klassifikation und gemäß den europäischen Vorschriften EN61010-1 (Sicherheitsvorschriften für Elektrische Meß-, Steuer, Regel- und Laboranlagen) entwickelt. Es handelt sich um ein Gerät der Installationskategorie II, das für den Betrieb von einer normalen einphasigen Versorgung vorgesehen ist.

Das Gerät wurde gemäß den Vorschriften EN61010-1 geprüft und wurde in sicherem Zustand geliefert. Die vorliegende Anleitung enthält vom Benutzer zu beachtende Informationen und Warnungen, die den sicheren Betrieb und den sicheren Zustand des Gerätes gewährleisten.

Dieses Gerät ist für den Betrieb in Innenräumen der Umgebungsklasse 2, für einen Temperaturbereich von 5° C bis 40° C und 20 - 80 % relative Feuchtigkeit (nicht kondensierend) vorgesehen. Gelegentlich kann es Temperaturen zwischen +5° und -10° C ausgesetzt sein, ohne daß seine Sicherheit dadurch beeinträchtigt wird. Betreiben Sie das Gerät jedoch auf keinen Fall, solange Kondensation vorhanden ist.

Ein Einsatz dieses Gerätes in einer Weise, die für diese Anlage nicht vorgesehen ist, kann die vorgesehene Sicherheit beeinträchtigen. Auf keinen Fall das Gerät außerhalb der angegebenen Nennversorgungsspannungen oder Umgebungsbedingungen betreiben.

## **WARNUNG! - DIESES GERÄT MUSS GEERDET WERDEN!**

Jede Unterbrechung des Netzschutzleiters innerhalb oder außerhalb des Gerätes macht das Gerät gefährlich. Eine absichtliche Unterbrechung ist verboten. Die Schutzwirkung darf durch Verwendung eines Verlängerungskabels ohne Schutzleiter nicht aufgehoben werden.

Ist das Gerät an die elektrische Versorgung angeschlossen, so können die Klemmen unter Spannung stehen, was bedeutet, daß beim Entfernen von Verkleidungs- oder sonstigen Teilen (mit Ausnahme der Teile, zu denen Zugang mit der Hand möglich ist) höchstwahrscheinlich spannungsführende Teile bloßgelegt werden. Vor jeglichem Öffnen des Gerätes zu Nachstell-, Auswechsel-, Wartungs- oder Reparaturzwecken, Gerät stets von sämtlichen Spannungsquellen abklemmen.

Kondensatoren in der Stromversorgung können auch noch nach Abschalten sämtlicher Stromversorgung Spannung führen, sie entladen sich jedoch innerhalb von etwa 10 Minuten nach Spannungsabschaltung.

Jegliche Nachstellung, Wartung und Reparatur am geöffneten, unter Spannung stehenden Gerät, ist nach Möglichkeit zu vermeiden. Falls unvermeidlich, sollten solche Arbeiten nur von qualifiziertem Personal ausgeführt werden, das sich der Gefahren bewußt ist.

Ist das Gerät eindeutig fehlerbehaftet, bzw. wurde es mechanisch beschädigt, übermäßiger Feuchtigkeit oder chemischer Korrosion ausgesetzt, so können die Schutzeinrichtungen beeinträchtigt sein, weshalb das Gerät aus dem Verkehr zurückgezogen und zur Überprüfung und Reparatur eingesandt werden sollte.

Sicherstellen, daß nur Sicherungen der vorgeschriebenen Stromstärke und des vorgesehenen Typs als Ersatz verwendet werden. Provisorische "Sicherungen" und der Kurzschluß von Sicherungshaltern ist verboten.

Beim Reinigen darauf achten, daß das Gerät nicht naß wird.

Am Gerät werden folgende Symbole verwendet:



Erdungsklemme



Netz ON (ein)



Netz OFF (aus)



Gleichstrom

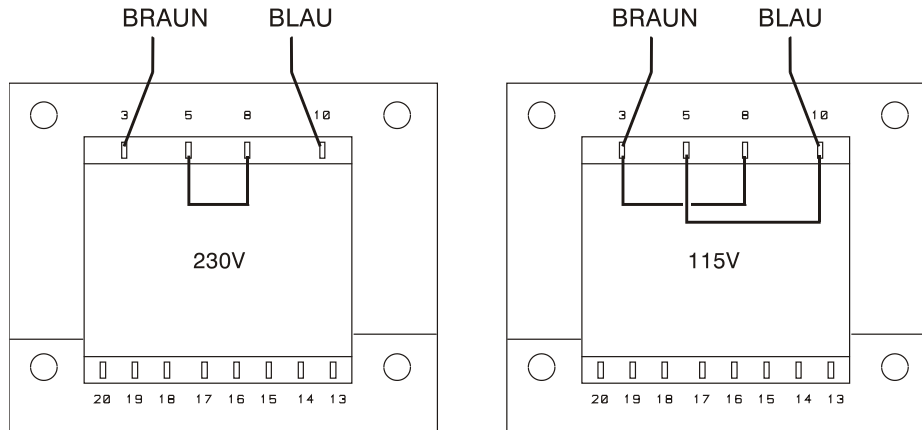


Wechselstrom

# Installation

Prüfen Sie, dass die an der Geräterückplatte angezeigte Netzspannung Ihrem lokalen Netz entspricht. Sollte es erforderlich sein, die Betriebsspannung zu ändern, gehen Sie wie folgt vor:

- 4) Gerät von sämtlichen Spannungsquellen abklemmen.
- 5) Schrauben der Abdeckung lösen und diese abnehmen.
- 6) Die Transformatoranschlüsse nach folgender Zeichnung umstellen:



- 7) Abdeckung wieder montieren und mit den gleichen Schrauben festschrauben.
- 8) Um den Sicherheitsvorschriften zu entsprechen, muss die auf der Rückwand angegebene Betriebsspannung so geändert werden, dass die neue Einstellung der Betriebsspannung deutlich zu erkennen ist.
- 9) Alle drei Sicherungen mit dem richtigen Stromwert einsetzen - siehe folgender Abschnitt.

## Sicherung

Die Wechselstromsicherung befindet sich im Sicherungsfach im unteren Teil des IEC Netzsteckers. Zum Wechseln der Sicherung das Netzkabel abziehen und das Sicherungsfach mit einem geeigneten Hilfsmittel öffnen.

*XDL 35-5, XDL 35-5P, XDL 56-4 & XDL 56-4P*

Die Sicherung ist vom Typ 20 x 5 mm, 250 V Hochleistungssicherung (HBC), träge, mit folgendem Stromwert:

Für 230 V Betrieb:	1,6 A (T) 250 V HBC
Für 115 V Betrieb:	3,15 A (T) 250 V HBC

*XDL 35-5T, XDL 35-5TP, XDL 56-4T & XDL 56-4TP*

Die Sicherung ist vom Typ 20 x 5 mm, 250 V Hochleistungssicherung (HBC), träge, mit folgendem Stromwert:

Für 230 V Betrieb:	4 A (T) 250 V HBC
Für 115 V Betrieb:	8 A (T) 250 V HBC

Darüber hinaus besitzen beide Transformatoren im Inneren des Netzteiltes eigene Sicherungen. Zum Austausch der Sicherungen entfernen Sie die Abdeckung, wie oben beschrieben. Beide Sicherungen sind auf der kleinen Platine eingesetzt, die direkt auf den Stiften des IEC Kaltgerätesteckers montiert ist.

Verwenden Sie eine Sicherung vom Typ 20 x 5 mm 250V HBC, träge, mit folgenden Werten:

Für 230 V Betrieb:	1,6 A (T) 250 V HBC
Für 115 V Betrieb:	3,15 A (T) 250 V HBC

Sicherstellen, dass nur Sicherungen des vorgeschriebenen Stromwerts und des vorgesehenen Typs als Ersatz verwendet werden. Provisorische „Sicherungen“ und das Überbrücken von Sicherungshaltern sind verboten!



---

## Netzkabel

Schließen Sie das Gerät unter Verwendung des mitgelieferten Netzkabels an die Wechselspannungsversorgung an. Falls ein Netzstecker für eine unterschiedliche Netzsteckdose erforderlich ist, muss ein geeigneter und zugelassener Netzkabelsatz verwendet werden, der mit dem geeigneten Wandstecker und einem IEC60320 C13-Stecker für das Geräteende versehen ist. Zur Bestimmung der Mindest-Nennstromstärke des Kabelsatzes für die beabsichtigte Wechselspannungsversorgung sind die Informationen zu Leistungswerten auf dem Gerät bzw. in seiner Spezifikation hinzuzuziehen.

### **ACHTUNG! DIESES GERÄT MUSS GEERDET SEIN.**

Jegliche Unterbrechung der Netzerdung, ob im Innern oder außerhalb des Geräts, macht das Gerät zur Gefahrenquelle! Eine absichtliche Unterbrechung ist verboten!

## Befestigung

Dieses Gerät kann auf einer Arbeitsplatte oder in einem Rack montiert werden. Es enthält Füße zur Befestigung auf einer Arbeitsplatte. Die vorderen Gerätefüße sind mit einem Kippmechanismus zur Einstellung des optimalen Winkels versehen.

Ein Rack-Montagesatz für den Einbau der XDL Netzteile ist vom Hersteller oder einem Fachhändler erhältlich. Das Rack bietet Platz für 1, 2 oder 3 einzelne Einheiten bzw. für eine einzelne und eine Dreier-Einheit. Weiterhin ist eine Verkleidung zur Abdeckung nicht verwendeter Positionen im Rack lieferbar.

## Lüftung

Das Netzgerät wird durch ein auf der Rückseite befindliches Gebläse mit mehreren Geschwindigkeiten gekühlt. Es muss sichergestellt werden, dass die Lufteinlässe auf den beiden Geräteseiten sowie der Luftauslass auf der Geräterückwand nicht blockiert werden. Bei Geräten, die in ein Rack eingebaut sind, muss genügend Raum um das Gerät gelassen werden und/oder eine Zwangskühlung mittels eines zusätzlichen Ventilators eingesetzt werden.

---

# Anschlüsse

## Anschlüsse auf der Gerätevorderseite

Die Last wird an die Plus- (rot) und Minus- (schwarz) Anschlussbuchse mit der Bezeichnung OUTPUT 1, OUTPUT 2 oder AUX angeschlossen.

Die Fernfühleranschlüsse für die Lasten an Ausgang 1 oder 2 (falls gewünscht) erfolgen über die entsprechenden Plus- (+) und Minus- (-) REMOTE SENSE Buchsen. Der Fernfühler-Betrieb wird über die Tastatur oder eine Fernsteuerungs-Schnittstelle (nur P Modelle) gewählt. Die Lampe REMOTE SENSE leuchtet auf, wenn die Zuleitungskompensation gewählt ist. Nach dem Abschalten der Zuleitungskompensation schaltet das Gerät auf die Strom- und Spannungsüberwachung direkt an den Ausgangsbuchsen zurück.

Die mit  markierte Klemme ist mit dem Gehäuse und dem Schutzleiter verbunden.

## Anschlüsse auf der Geräterückseite

### Hauptausgang ( nur P Modelle)

Die Ausgangs- und Fernfühleranschlüsse sind auch auf der Geräterückseite vorhanden (Anschlussklemme mit den Bezeichnungen „Output +, Output -, Sense +, Sense -“). Hierbei handelt es sich um Parallelanschlüsse zu den Klemmen auf der Gerätevorderseite.

Der Fernabnahmebetrieb wird über die Tastatur oder eine Fernbedienungsschnittstelle ausgewählt. Bei Verwendung der rückseitigen Klemmen sollte immer auch die Fernabnahme gewählt werden, damit die Stabilisierung der Ausgangsspannung im Rahmen der technischen Daten gewährleistet ist.

---

## Nebenausgang ( nur T Modelle)

Die AUX OUTPUT Klemmen auf der Vorderseite sind zusätzlich auch auf der Geräterückseite vorhanden (Bezeichnung: AUXILIARY OUTPUT).

## Alarm-Ausgänge

Für jeden Hauptausgang stehen versenkt eingebaute 2-polige Anschlüsse mit der Bezeichnung „Alarm“ zur Verfügung. Diese sind mit einem opto-gekoppelten NPN Schalttransistor verbunden, dessen Funktion von der Tastatur aus eingestellt werden kann (siehe Abschnitt „AlarmpFunktionen“ dieser Anleitung)

An die Klemmen kann eine maximale Betriebsspannung von 20 VDC angeschlossen werden. Der maximale Strom zum „Schließen“ des Schalters beträgt 1mA.



Legen Sie zwischen den Klemmen keine externe Spannung von mehr als 30 V DC an.

## RS232 (nur P Modelle)

9-pol. D-Buchse mit den unten beschriebenen Pin-Belegungen. Kann mithilfe eines vollverdrahteten Kabels (männlich-weiblich 1:1) ohne überkreuzende Verbindungen an einen standardmäßigen PC-Port angeschlossen werden.

Pin	Bez.	Beschreibung
1	RI	Passive Bestimmung (+V durch 10 kΩ)
2	TXD	Übertragungsdaten vom Gerät
3	RXD	Empfangsdaten zum Gerät
4	CTS	
5	GND	Signalmasse
6	RTS	Passive Bestimmung (+V durch 10 kΩ)
7	DSR	Keine interne Verbindung
8	DTR	
9	CD	Keine interne Verbindung

Signalmasse ist mit Gerätemasse verbunden.

## USB (nur P Modelle)

Der USB-Port ist an die Geräteerde angeschlossen. Er entspricht USB 2.0 (Full Speed) und akzeptiert ein standardmäßiges USB-Kabel. Die Plug-and-Play-Funktion von Windows sollte automatisch erkennen, dass das Gerät angeschlossen worden ist. Falls der korrekte Treiber nicht gefunden wird, befolgen Sie bitte die Windows-Aufforderungen auf dem Bildschirm und installieren die benötigten Dateien von der mitgelieferten CD.

## LAN (nur P Modelle)

Die LAN-Schnittstelle entspricht LXI ( Lan eXtensions for Instrumentation) Version 1.2; das Gerät ist Class C konform. Eine Fernsteuerung über die LAN-Schnittstelle ist mittels TCP/IP Socket-Protokoll möglich. Das Gerät enthält auch einen einfachen Web-Server mit Informationen zum Gerät, der eine Konfiguration ermöglicht. Da die LAN-Schnittstelle derart falsch konfiguriert werden kann, dass ein Datenaustausch per LAN nicht mehr realisierbar ist, besitzt das Gerät auf der Rückseite einen versenkten Schalter mit der Bezeichnung LAN RESET, sodass ein Zurücksetzen auf die Werksvoreinstellung mithilfe des LCI (LAN Configuration Initialize) Mechanismus möglich ist.

Weitere Details entnehmen Sie bitte dem Abschnitt „Ferngesteuerter Betrieb“. Weitere Informationen zu den LXI Spezifikationen finden Sie auf [www.ixistandard.org/home](http://www.ixistandard.org/home)

## GPIB (nur P Modelle)

Die GPIB Signallerde ist mit der Geräteerde verbunden. Folgende Befehlssätze stehen zur Verfügung:

SH1 AH1 T6 TE0 L4 LE0 SR1 RL2 PP1 DC1 DT0 C0 E2

Die GPIB-Adresse wird von der Gerätevorderseite aus gesetzt.

---

# Erste Inbetriebnahme

Dieser Abschnitt des Handbuches dient als allgemeine Einführung zu den Bedienelementen und dem Betrieb des Geräts. Vor dem erstmaligen Einsatz des Netzgeräts sollten Sie diesen Abschnitt durchlesen.

Die Tasten auf der Vorderseite, die Anschlussbuchsen und die Displayinformationen werden in diesem Handbuch in Großbuchstaben dargestellt, z. B. STORE, ESCAPE, OUTPUT, JOG. Die auf der 7-Segment Anzeige erscheinenden Informationen werden in einer anderen Schriftart und mit einer Mischung aus Groß- und Kleinbuchstaben dargestellt, z. B. **StoreE**, **GPiB**, **trIP**. Sie entsprechen somit den Zeichen, die auf dem Display erscheinen.

## Einschalten, Ausgang Ein/Aus

Der Netzschalter befindet sich unten links auf der Gerätevorderseite.

Nach dem Einschalten nimmt das Gerät automatisch die zuletzt verwendeten Einstellungen an, allerdings sind alle Ausgänge zunächst immer stromlos. Der Anwender kann jedoch auch diese Standardeinstellung dahingehend verändern, dass die Ausgänge den gleichen Wert wie beim letzten Abschalten des Geräts annehmen (siehe Abschnitt „Zusatzfunktionen“).

Die Gleichstromausgänge werden über die Taste ON/OFF elektronisch ein- und ausgeschaltet. Bei eingeschaltetem Ausgang leuchtet diese Taste auf. Außerdem können alle Ausgänge gleichzeitig über die Tasten ALL ON bzw. ALL OFF ein- und ausgeschaltet werden.

## Gleichzeitiges Ein- und Ausschalten (nur T Modelle)

Beim Drücken der Taste ALL OFF werden alle eingeschalteten Ausgänge gleichzeitig ausgeschaltet. Unter gleichen Lastbedingungen erfolgt das Abschalten normalerweise synchron innerhalb von 1 ms. Anschließend leuchtet die Taste ALL OFF grün auf. Durch Drücken der Taste ALL ON werden alle ausgeschalteten Ausgänge gleichzeitig eingeschaltet. Ausgänge mit identischen Einstellungen und Lastbedingungen schalten sich normalerweise synchron innerhalb von 1 ms ab. Falls ein oder mehrere Ausgänge bereits eingeschaltet sind, werden durch Drücken der Taste ALL ON die verbleibenden Ausgänge zugeschaltet. Die Einschaltverzögerung zwischen den Ausgängen kann bis zu 80 ms betragen, selbst bei gleicher Ausgangseinstellung und identischen Lastbedingungen.

## Tastatur

An dieser Stelle wird lediglich auf die grundsätzliche Bedienung der Tastatur eingegangen; die Einstellung der einzelnen Parameter wird in den folgenden Abschnitten ausführlich beschrieben.

Die Bedienung des Netzgeräts wurde so konzipiert, dass der Wechsel auf eine andere Einstellung so „sicher“ wie möglich durchgeführt werden kann (d. h. die Gefahr, dass der angeschlossene Verbraucher einer zu hohen Spannung ausgesetzt wird, möglichst zu verringern) ohne die Bedienungsfreundlichkeit einzuschränken. Dies wurde erreicht, indem der Benutzer bei Eingabe neuer Werte immer die Taste OK drücken muss. Durch Drücken der Taste ESCAPE kann eine Änderung jederzeit rückgängig gemacht werden. Andererseits kann der Anwender auch einfach warten, bis das Gerät nach einer gewissen Zeitspanne automatisch auf die ursprüngliche Einstellung zurückkehrt.

Zusätzlich wird der Anwender durch akustische Signale, beleuchtete Tasten, LED-Anzeigen und Display-Informationen auf falsche Bedienung bzw. Eingaben aufmerksam gemacht. Ein mit dem Gerät vertrauter Anwender kann auf Wunsch auch bestimmte Warnfunktionen (z. B. Töne oder blinkende Anzeigen) ausschalten (siehe Abschnitt „Zusatzfunktionen“).

Bei den (T) Modellen mit drei Ausgängen wird die Möglichkeit, Einstellungen für Ausgang 1, Ausgang 2 bzw. beide über die Tastatur oder mit Hilfe des Drehreglers vorzunehmen, mit den Tasten ◀ CONTROL ▶ 1, 2 oder LINK gesteuert. Die jeweilige Taste für den Ausgang (1 oder 2) leuchtet auf und zeigt damit an, welcher Ausgang eingestellt wird. Im Link-Modus (beide Tasten leuchten) werden beide Ausgänge gleichzeitig geregelt. Dies gilt auch für bestimmte Zweifunktionen (RANGE, STORE, RECALL und V x A). Die folgenden Beschreibungen gelten, je nachdem welche ◀ CONTROL ▶ Tasten aufleuchten, für nur einen oder für beide Ausgänge gleichzeitig. Unter normalen Umständen ist die Tastatur gesperrt.

---

Beim Drücken einer Taste ertönt ein zweifacher Warnton und weist damit auf eine unzulässige Bedienung hin. Um eine Spannung bzw. Stromstärke über die Tastatur einstellen zu können, muss zunächst die Taste V oder I (NUMERIC SET) gedrückt werden. Daraufhin erscheint auf der entsprechenden Anzeige der Wert 0,000 V oder 0,000 A (die Ziffer zur linken Seite des Dezimalkommas blinkt). Nun können Zahlenwerte zusammen mit dem Dezimalkomma eingegeben und durch Drücken der Taste OK bestätigt werden. Wurde die OK Taste nicht innerhalb von 10 Sekunden gedrückt, wird der eingegebene Wert annulliert und die Anzeige kehrt auf den vorherigen Wert zurück. Das gleiche gilt, wenn die Taste ESCAPE während des Eingabevorgangs gedrückt wurde.

Die OK-Taste dient hauptsächlich zur Bestätigung der Tastatureingaben. Sie hat jedoch auch eine zweite Funktion zur Anzeige von Konstantstrom/Konstantspannung (VIEW V/I LIMITS) und bewirkt dann, dass die voreingestellte Ausgangsspannung bzw. Stromstärke 3 Sekunden lang angezeigt wird. Während dieses Zeitraums erscheint der blinkende Hinweis „LIM“ im Display.

Die Taste SHIFT leuchtet beim Drücken auf und bewirkt, dass die Nummerntasten die jeweils angegebene Zweitfunktion annehmen (z. B. STORE, RECALL, etc.). Sobald eine solche Zweitfunktion gewählt worden ist, verliert die SHIFT Taste vorübergehend ihre Funktion (und ist auch nicht länger beleuchtet). Die einzelnen Tastatureingaben zur Ausführung gewählter Funktionen werden weiter unten ausführlich beschrieben. Falls innerhalb von 10 Sekunden keine weitere Taste zur Ausführung einer Funktion gedrückt wurde, wird die jeweilige Funktion ungültig (gleiche Wirkung wie das Drücken der Taste ESCAPE). Die Taste SHIFT ist eine Umschalttaste, d. h. sie wird durch wiederholtes Drücken ein- und ausgeschaltet. SHIFT wird zusätzlich durch Drücken der Taste ESCAPE oder der Tasten SET V bzw. SET I annulliert. Beachten Sie, dass die im Link-Modus zugänglichen STORE und RECALL Einstellungen zusätzlich und getrennt von den STORE und RECALL Einstellungen bei einzeln angewählten Ausgängen vorhanden sind.

## **Drehbarer Stufenregler**

Mit dem Drehregler kann die Ausgangsspannung bzw. die Strombegrenzung schrittweise erhöht oder gesenkt werden. Die Schrittgröße wird mit Hilfe der Tasten JOG SET eingestellt. Diese Einstellung wirkt sich sofort auf den Ausgang aus, d. h. es ist nicht notwendig, die OK Taste zu drücken.

Nach dem Einschalten ist die schrittweise Einstellung zunächst immer ausgeschaltet. Um die schrittweise Einstellung der Spannung bzw. Stromstärke zu aktivieren, muss die Taste V bzw. I JOG SET gedrückt werden. Die Taste leuchtet auf. Bei beleuchteter V bzw. I JOG SET Taste wird die JOG-Anzeige bei jedem Drücken der V- bzw. I-Taste eine Stelle nach links verschoben. Die Wahl der Schrittgröße erfolgt nach dem Kreislaufprinzip, d.h. nach Erreichen der höchsten Schrittgröße wird beim nächsten Tastendruck wieder die kleinste Schrittgröße gewählt. Beim Einschalten ist automatisch die niederwertigste Ziffer, d.h. die kleinste Schrittgröße, gewählt.

Durch Drehen des Stufenreglers im/gegen den Uhrzeigersinn wird die gewählte Ziffer erhöht/erniedrigt. Ziffern links zur eingestellten Ziffer werden automatisch erhöht/erniedrigt, wenn der Zehnerbereich über- bzw. unterschritten wird. Ziffern rechts zur eingestellten Ziffer werden nicht beeinflusst, es sei denn der eingestellte Schritt über-/unterschreitet den maximalen/minimalen Wertebereich. In diesem Fall geht die Ziffer auf Null. Zum Beispiel beim Modell XDL 35-5: im 35 V Einstellbereich bei einer Schrittgröße von 1 V wechselt 33,65 V auf 34,65 V und schließlich auf 35,00 V. Bei einer Schrittgröße von 0,1 A wechselt 0,160 A auf 0,060 A und schließlich auf 0,001 A.

Folgende Schrittgrößen können für den Hauptbereich gewählt werden: 1 mV, 10 mV, 100 mV und 1 mA, 10 mA, 100 mA. Im Bereich 500 mA sind folgende Schrittgrößen möglich: 0,1 mA, 1 mA, 10 mA.

Der Drehregler kann durch Drücken der Taste JOG SET OFF deaktiviert werden. Durch erneutes Wählen von JOG SET V oder I kann die zuletzt verwendete Ziffernstelle wieder verändert werden. Die Schrittfunktion wird weder durch eine Zifferneingabe auf der Tastatur noch durch Betätigen der SHIFT-Funktionen beeinflusst, ist jedoch bei Wahl einer Zweitfunktion deaktiviert.

Im Konstantspannungsbetrieb zeigt das rechte Display bei eingeschaltetem Ausgang den Ist-Strom und nicht die Strombegrenzung. Wurde JOG SET I gewählt, so erscheint der Hinweis JOG

---

unter der gewählten Ziffer (blinkt aber nur mit halber Geschwindigkeit). Um die Auswirkungen eines veränderten Strombegrenzungswerts beobachten zu können, muss der Ausgang entweder ausgeschaltet werden (so dass das Display den Strombegrenzungswert ständig anzeigt) oder es muss die Taste VIEW V/I LIMITS gedrückt werden, woraufhin der Strombegrenzungswert etwa 3 Sekunden lang angezeigt wird. Das langsame Blinken erscheint auch dann, wenn JOG SET V gewählt worden ist und die tatsächliche Spannung angezeigt wird, weil das Netzgerät den Strombegrenzungswert erreicht hat.

Vom Werk aus ist das Netzgerät so konfiguriert, dass die JOG Anzeige ständig unter der gewählten Ziffer blinkt (vorausgesetzt natürlich, dass die Schrittfunktion gewählt worden ist), so dass der Benutzer immer weiß welcher Parameter erhöht oder erniedrigt werden kann. Sollte dies nicht genügend Aufmerksamkeit erwecken, kann mit Hilfe der Zusatzfunktionen auch bewirkt werden, dass die ganze Ziffer blinkt. Umgekehrt lässt sich die JOG Anzeige auch so einrichten, dass sie überhaupt nicht blinkt (wenn das Blinken als störend empfunden wird).

## Anzeige

Das Display zeigt für beide Hauptausgänge die Spannung auf der linken Seite (5 Stellen) und den Strom auf der rechten Seite (4 Stellen) an. Mit Hilfe des 7-Segment Displays können aber auch Informationen über bestimmte Funktionseinstellungen angezeigt werden (z. B. Speicherinformationen oder die Adresseneinstellung bei der Fernbedienung) indem der begrenzte „Zeichensatz“ des 7-Segment Displays voll genutzt wird. Hierbei handelt es sich notwendigerweise um eine Mischung aus Klein- und Großbuchstaben.

Über und unter dem 7-Segment Display befinden sich verschiedene „verdeckte“ Anzeigen.

Rechts oben über dem Display befinden sich die Anzeigen zur Darstellung des aktuell gewählten Betriebsbereichs: 35 V/3 A, 15 V/5 A oder 35 V/500 mA (XDL 35-5T & TP) oder 56V/2A, 25V/5A oder 56V/500mA (XDL 56-4T & TP). Diese Anzeigen leuchten direkt unter dem Bereich auf, der ganz oben auf dem Gerät aufgedruckt ist. Im Falle des 500 mA Bereichs wird der Hinweis „mA“ angezeigt, um darauf aufmerksam zu machen, dass gegenwärtig der Milliampere-Bereich dargestellt ist.

Weiterhin können folgende Anzeigen auf dem Display erscheinen:

CI gibt an, dass das Gerät im Konstantstrombetrieb arbeitet;

LIM blinkt beim Drücken der Taste VIEW V/I LIMITS, um den aktuell gewählten Spannungs-/Strombegrenzungswert anzuzeigen;

REM leuchtet auf, wenn das Gerät über die Fernbedienungsschnittstelle (gilt nur für P Modelle) und LAN betrieben wird – Statusanzeige der LAN-Schnittstelle (nur P Modelle).

Unter den drei niederwertigsten Ziffern im Spannungs- und Stromwert-Display befinden sich die JOG Anzeigen - bei Verwendung der Schritt-Funktion blinkt die entsprechende Anzeige auf (siehe Abschnitt „Drehbarer Stufenregler“ oben).

Die Anzeige von Ausgang 1 kann alternativ verwendet werden, um Spannung und Strom des AUX-Ausgangs (nur T-Modelle) darzustellen. Weitere Details entnehmen Sie bitte dem Abschnitt „Nebenausgang“.

## Hauptausgänge

Erstbenutzer sollten zunächst das Kapitel „Erste Inbetriebnahme“ lesen, um sich mit der prinzipiellen Funktionsweise von Tastatur und Drehregler vertraut zu machen. In den folgenden Abschnitten wird die unabhängige Bedienung der Hauptausgänge mittels Tastatur/Drehregler vorgestellt. Dazu muss zunächst der jeweilige Ausgang gewählt werden, indem die entsprechende ◀ CONTROL ▶ Taste (1 oder 2) gedrückt. Die jeweilige Taste leuchtet anschließend auf.

Die zusätzlich im Link-Modus verfügbaren Funktionen bei den (T) Modellen mit drei Ausgängen (wenn beide Hauptausgänge gewählt sind) werden im Abschnitt „Hauptausgänge – Link-Modus“ weiter unten beschrieben.

## Einstellen der Spannung

Das linke Display gibt die Spannung mit einer Auflösung von 1 mV an, es sei denn das Gerät arbeitet im Konstantstrombetrieb (CI). Im CI-Betrieb wird stattdessen die tatsächliche Ausgangsspannung (die unter der eingestellten Spannung liegt) mit einer Auflösung von 10 mV angezeigt. Die letzte Ziffer (Auflösung 1 mV) ist in diesem Fall immer Null.

Die Spannung kann direkt über die numerische Tastatur eingegeben werden: hierzu die Taste NUMERIC SET V drücken, den neuen Wert auf der Tastatur eingeben und mit OK bestätigen. Die allgemeine Vorgehensweise bei der Tastatureingabe ist im Abschnitt „Erste Inbetriebnahme“ beschrieben und sollte zuerst durchgelesen werden.

Wurde SET V gedrückt, so zeigt das Display zunächst den Wert 0,000 an. Ein neuer Spannungswert kann jetzt eingegeben und mit OK bestätigt werden (z. B. wird 12,345 V mit 1, 2, 3, 4, 5 eingegeben). Die Position des Dezimalkommata ist festgelegt, um zu verhindern dass ein falscher Wert eingegeben wird. Aus diesem Grund (und um die Eingabe von führenden Nullen zu vermeiden - z. B. wird 2,345 V mit 2, ., 3, 4, 5, OK eingegeben) werden die Ziffern links vom Dezimalkomma etwas anders dargestellt, als die Nummern rechts vom Dezimalkomma. Dies erklärt sich bei der Eingabe von selbst.

Die kleinste einstellbare Spannung beträgt 0,000V, der größtmögliche Wert für XDL 35-5 beträgt 35,000 V (15,000 V im Bereich 15 V/5 A) oder 56,000 V (25,000 V im Bereich 25 V/4 A) für XDL 56-4.

Durch Drücken der Taste OK wird die eingegebene Spannung eingestellt, wobei alle anderen Ziffern auf Null gesetzt werden. Zum Beispiel ergibt die Tastenfolge 1, 2, ., 3, OK eine eingestellte Spannung von 12,300 V; 1, OK ergibt 1,000 V. Wird OK unmittelbar nach SET V gedrückt (im Display erscheint der Wert 0,000 V) beträgt die eingestellte Spannung 0,000 V.

Durch Drücken der Taste ESCAPE (oder durch das Unterlassen weiterer Eingaben in den nächsten 10 Sekunden) kehrt die Anzeige auf den Wert zurück, der vor Drücken der Taste SET V Gültigkeit hatte.

Wird eine Spannung außerhalb des Maximalbereichs eingegeben (gilt auch bei der Eingabe von 3 Ziffern vor dem Dezimalkomma), oder wenn versucht wird, mehr als 5 Ziffern einzugeben, ertönt ein Warnsignal zwei Mal - die zuletzt gedrückte Taste wird ignoriert.

Die Spannung kann auch mit dem Drehregler eingestellt werden. Durch Drücken der Taste JOG SET V wird die V Taste beleuchtet und die JOG Anzeige unter der zuletzt eingestellten Ziffer blinkt auf. Während die V Taste leuchtet, bewirkt jeder weitere Tastendruck ein Verschieben der JOG Anzeige eine Stelle nach links. Dies geschieht im Kreislauf, so dass nach Erreichen der höchsten Schrittgröße wieder die kleinste Schrittgröße gewählt wird. Beim Einschalten ist automatisch die niederwertigste Ziffer, d.h. die kleinste Schrittgröße, gewählt. Die wählbaren Schrittgrößen sind 1 mV, 10 mV und 100 mV.

Bei aktivierter Schritteinstellung kann die Ausgangsspannung mit Hilfe des Drehreglers erhöht oder erniedrigt werden, wobei die Schrittgröße durch die Position der JOG Anzeige angezeigt wird. Die Ausgangsspannung verändert sich sofort nach der Neueinstellung, d.h. die Taste OK muss nicht gedrückt werden. Befindet sich der Ausgang im Konstantstrombetrieb (blinkende CI Anzeige) zeigt das linke Display die tatsächliche, anstelle der eingestellten Spannung an. Wurde

---

JOG SET V gewählt, blinkt die JOG Anzeige unter der gewählten Ziffer mit halber Geschwindigkeit. Um die Auswirkungen eines veränderten Strombegrenzungswerts beobachten zu können, muss der Ausgang entweder ausgeschaltet werden (so dass das Display den Strombegrenzungswert ständig anzeigt), oder es muss die Taste VIEW V/I LIMITS gedrückt werden, woraufhin der Strombegrenzungswert etwa 3 Sekunden lang angezeigt wird.

Zu beachten ist, dass im Konstantstrombetrieb die tatsächliche Spannung gemessen und mit einer Auflösung von 10 mV angezeigt wird (die 1 mV Ziffer zeigt Null an).

Weitere Einzelheiten zum Drehregler finden sich im Kapitel „Erstmalige Inbetriebnahme“.

## **Einstellen der Strombegrenzung**

Bei ausgeschaltetem Ausgang zeigt das rechte Display den Strombegrenzungswert mit einer Auflösung von 1 mA an (0,1 mA im Bereich 500 mA).

Die Strombegrenzung kann direkt über die numerische Tastatur eingegeben werden: hierzu die Taste NUMERIC SET I drücken, den neuen Wert auf der Tastatur eingeben und mit OK bestätigen. Die allgemeine Vorgehensweise bei der Tastatureingabe ist im Abschnitt „Erste Inbetriebnahme“ beschrieben und sollte zuerst durchgelesen werden.

Wurde SET I gedrückt, so zeigt das Display zunächst den Wert 0,000 an. Ein neuer Stromwert kann jetzt eingegeben und mit OK bestätigt werden (z. B. wird 1,234 A als 1, ·, 2, 3, 4 eingegeben). Die Position des Dezimalkommas ist festgelegt, um zu verhindern, dass ein falscher Wert eingegeben wird. Aus diesem Grund (und um die Eingabe von führenden Nullen zu vermeiden - z. B. wird 0-234 A mit ·, 2, 3, 4, OK eingegeben) werden die Ziffern links vom Dezimalkomma etwas anders dargestellt, als die Nummern rechts vom Dezimalkomma. Dies erklärt sich bei der Eingabe von selbst.

Der kleinste einstellbare Strom beträgt 0,001 A (0,1 mA im Bereich 500 mA), der größtmögliche Wert beträgt je nach gewähltem Bereich 3,000 A, 5,000 A oder 500,0 mA (XDL 35-5) oder 2,000 A, 4,000 A oder 500,0 mA (XDL 56-4), d. h. es findet keine automatische Bereichsüberschreitung statt.

Durch Drücken der Taste OK wird der jeweils eingegebene Stromwert eingestellt und alle anderen Ziffern auf Null gesetzt. Zum Beispiel ergibt die Tastenfolge 1, ·, 2, OK einen eingestellten Strom von 1,200 A; 1, OK ergibt 1,000 A. Wird OK unmittelbar nach SET I gedrückt (im Display erscheint der Wert 0,000 A), beträgt der eingestellte Strom 0,001 A.

Durch Drücken der Taste ESCAPE zu einem beliebigen Zeitpunkt während der Sequenz (oder durch das Unterlassen weiterer Eingaben in den nächsten 10 Sekunden) kehrt die Anzeige auf den Wert zurück, der vor Drücken der Taste SET I Gültigkeit hatte.

Wird ein Wert außerhalb des Maximalbereichs eingegeben (gilt auch bei der Eingabe von 2 Ziffern vor dem Dezimalkomma), oder wenn versucht wird, mehr als 4 Ziffern einzugeben, ertönt zwei Mal ein Warnsignal - die zuletzt gedrückte Taste wird ignoriert.

Die Strombegrenzung kann auch mit dem Drehregler eingestellt werden. Durch Drücken der Taste JOG SET I wird die I Taste beleuchtet und die JOG Anzeige unter der zuletzt eingestellten Ziffer blinkt auf. Während die I Taste leuchtet, bewirkt jeder weitere Tastendruck ein Verschieben der JOG Anzeige eine Stelle nach links. Dies geschieht im Kreislauf, so dass nach Erreichen der höchsten Schrittgröße wieder die kleinste Schrittgröße gewählt wird. Beim Einschalten ist automatisch die niederwertigste Ziffer, d.h. die kleinste Schrittgröße gewählt. Die wählbaren Schrittgrößen sind 1 mA, 10 mA und 100 mA (0,1m A, 1m A und 10 mA im Bereich 500 mA). Bei aktivierter Schritteinstellung kann die Ausgangsspannung mit Hilfe des Drehreglers erhöht oder erniedrigt werden, wobei die Schrittgröße durch die Position der JOG Anzeige angezeigt wird. Die Ausgangsspannung verändert sich sofort nach der Neueinstellung, d.h. die Taste OK muss nicht gedrückt werden. Bei eingeschaltetem Ausgang zeigt das rechte Display den tatsächlichen Stromwert und nicht den Strombegrenzungswert an (außer im Konstantstrombetrieb). Wurde JOG SET I gewählt, so erscheint der Hinweis JOG unter der gewählten Ziffer (blinkt aber nur mit halber Geschwindigkeit). Um die Auswirkungen eines veränderten Strombegrenzungswerts beobachten zu können, muss der Ausgang entweder ausgeschaltet werden (so dass das Display den Strombegrenzungswert ständig anzeigt) oder es muss die Taste VIEW V/I LIMITS gedrückt werden, woraufhin der Strombegrenzungswert etwa 3 Sekunden lang angezeigt wird.

---

## Momentanstrom

Mit Hilfe der Strombegrenzungsfunktion kann der Dauerausgangsstrom bis auf 1 mA herab begrenzt werden (0,1 mA im 500 mA Bereich). Wie bei allen Präzisionsnetzgeräten wird jedoch auch hier ein Kondensator am Ausgang parallel geschaltet, um eine stabile Ausgangsspannung und ein gutes dynamisches Verhalten zu gewährleisten. Dieser Kondensator lädt sich bis zur Höhe der Ausgangsspannung auf und erzeugt beim Kurzschließen des Ausgangs durch seine Entladung einen Stromimpuls, auf den die Strombegrenzung keinen Einfluss hat.

## Bereichswahl

Das Netzgerät verfügt über drei Bereiche: 35 V/3 A, 15 V/5 A und 35 V/500 mA (XDL 35-5) oder 56 V/2 A, 25 V/4 A und 56 V/500 mA (XDL 56-4). Der gewählte Bereich wird durch eine beleuchtete Anzeige unter der entsprechenden Beschriftung oben rechts auf dem Gerät angezeigt. Im Bereich 500 mA erscheint die Anzeige „mA“, um darauf hinzuweisen dass der Strommesser Milliampere anstelle von Ampere angibt.

Um den Bereich zu wechseln, die Taste SHIFT gefolgt von ◀ RANGE bzw. RANGE ▶ drücken. Jeder Tastendruck auf ◀ RANGE wählt den nächsten Bereich links, während jeder Druck auf die Taste RANGE ▶ den nächsten Bereich rechts anwählt (kein Kreislauffekt). Beim Wechseln des Bereichs blinkt die Anzeige des jeweiligen Bereichs zusammen mit der OK Taste. Durch Drücken auf OK wird der neue Bereich bestätigt. Sie können den Bereichswechsel annullieren, indem Sie auf ESCAPE drücken. Wird während des Bereichswechsels eine andere Taste gedrückt, ertönt ein zweifacher Warnton, ansonsten hat das Drücken einer falschen Taste keine Folgen. Falls die Taste OK nicht innerhalb von 10 Sekunden gedrückt wurde, bleibt der Bereich in der vorherigen Einstellung.

Der Bereich kann nur bei ausgeschaltetem Ausgang gewechselt werden. Werden die Tasten ◀ RANGE bzw. RANGE ▶ bei eingeschaltetem Ausgang gedrückt, blinken die Tasten ON/OFF und OK. Daraufhin kann entweder der Ausgang mit der Taste ON/OFF ausgeschaltet werden, um dann nach Drücken auf OK auf einen anderen Bereich zu wechseln, oder Sie können direkt auf OK drücken. In diesem Fall wird der Ausgang automatisch abgeschaltet, so dass eine andere Bereichswahl möglich ist.

Wird der jeweils eingestellte Strom- oder Spannungsgrenzwert durch einen neu gewählten Bereich überschritten, so ist die Bereichswahl zwar gültig, doch wird die Einstellung auf den Maximalwert des neu gewählten Bereichs begrenzt.

Beachten Sie bitte dass sich der OVP-Wert bei einer Bereichsumstellung nicht ändert (so bleibt z. B. beim XDL 35-5 eine OVP-Einstellung von 38 V auch im 15 V Bereich gültig). Es ist daher Aufgabe des Benutzers die OVP-Einstellung ggf. neu anzupassen.

## Ausgangseinstellungen – Bedienelemente sperren

Um versehentliche Änderungen an den Ausgangseinstellungen bei Aufstellung des Geräts auf einem Tisch oder in einem Rack zu verhindern, können die Bedienelemente für Bereich, Spannung, Strombegrenzung, OVP und OCP gesperrt bzw. freigegeben werden. Dies geschieht mit der Funktion #33 (siehe Abschnitt „Zusatzfunktionen“). Die ON / OFF-Taste des Ausgangs wird nicht gesperrt, ebenso wie die Wahl des Fernfühlers. Das Sperren der Bedienelemente gilt auch im Fernbedienungsmodus (nur P-Modelle), wird aber von den Fernsteuerbefehlen ignoriert.

Bei Modellen mit drei Ausgängen wird die AUX-Ausgangsspannung ebenfalls gesperrt, wenn die Einstellungen für Ausgang 1 gesperrt sind. Die ◀ CONTROL ▶ Tasten werden jedoch nicht gesperrt. Alle Ausgänge werden gemeinsam gesperrt bzw. freigegeben, wenn #33 im Link-Modus verwendet wird (siehe Abschnitte „Nebenausgang“ und „Hauptausgänge – Link-Modus“).

## Anschluss der Last

Die Last sollte an die mit OUTPUT gekennzeichneten positiven (rot) und negativen (schwarz) Klemmen angelegt werden. Beide Klemmen sind galvanisch getrennt und können daher an Erde gelegt werden.

## Fernfühlerfunktion

Obwohl das Gerät eine sehr geringe Ausgangsimpedanz besitzt, erhöht sich diese zwangsweise durch den Widerstand der angeschlossenen Kabel. Bei hohen Strömen ergibt sich hieraus ein



---

deutlicher Unterschied zwischen der angezeigten Quellspannung und der tatsächlichen Lastspannung (zwei Anschlusskabel mit  $20\text{ m}\Omega$  erzeugen z. B. bei einem Strom von  $5\text{ A}$  einen Spannungsabfall von  $0,2\text{ V}$ ). Dieses Problem lässt sich zwar durch Verwendung kurzer Anschlusskabel mit großem Querschnitt einschränken, es ist aber besser, diesen Effekt mit Hilfe der Fernabnahmefunktion ganz zu umgehen. Dazu müssen die Fernfühlerklemmen (Sense) an der Last anstelle der Spannungsquelle angeschlossen werden. Schließen Sie die Kabel an die Federklemmen des REMOTE SENSE-Anschlusses und direkt an der Last an.

Wählen Sie die Fernfühlerfunktion durch Drücken der Tasten SHIFT, SENSE. Die Taste OK blinkt, die Lampe über den Fernfühleranschlüssen leuchtet auf und zeigt damit an, dass diese Funktion nach Drücken auf OK aktiviert wird. Mit OK bestätigen oder mit ESCAPE annullieren. Die Fernfühlerfunktion wird durch erneutes Drücken auf SHIFT, SENSE wieder abgeschaltet (OK blinkt, die Fernfühlerleuchte geht aus und zeigt damit an, dass die Fernfühlerfunktion nach Drücken auf OK abgeschaltet wird). Mit OK bestätigen oder mit ESCAPE annullieren.

Um Instabilität und dynamisches Fehlverhalten zu vermeiden, muss darauf geachtet werden, dass eine gute Verbindung zwischen jedem Ausgangs- und Fernfühlerkabel besteht. Dies wird erreicht, indem man entweder die Kabel miteinander verdreht oder ein abgeschirmtes Koaxialkabel verwendet (die Fernfühlerleitung bildet hierbei den Innenleiter). Auch ein zum Lastanschluss parallel geschalteter Elektrolytkondensator kann hilfreich sein.

Der Spannungsabfall des jeweiligen Ausgangskabels darf  $0,5\text{ Volt}$  nicht überschreiten.

Die P Modelle verfügen über Ausgangs- und Sense-Klemmen auf der Rückseite (nützlich beim Rack-Einbau). Die Sense-Klemmen auf der Rückseite sind immer zusammen mit den Ausgangsklemmen auf der Rückseite zu verwenden.


### Falscher Anschluss im Sense-Betrieb

Der Ausgang schaltet sich automatisch ab, wenn die Spannungsdifferenz zwischen einem Ausgang und dem zugehörigen Sense-Anschluss ca.  $1\text{ V}$  überschreitet. Dies ist dann der Fall, wenn die Fernabnahmekabel falsch an der Last angeschlossen sind oder wenn versucht wird, einen Strom über die Sense-Kabel zu entnehmen.

In einem solchen Fall erscheint die Meldung **SENSE trip** auf dem Display und der Ausgang wird abgeschaltet. Wird nun ESCAPE gedrückt, zeigt die Anzeige die voreingestellte Spannung und den Stromgrenzwert an. Nach Beseitigung der Fehlerquelle kann der Ausgang wieder eingeschaltet werden.

### Reihen- oder Parallelschaltung mit anderen Spannungsquellen

Die Ausgänge des Netzgeräts sind galvanisch getrennt und können mit anderen Netzgeräten in Reihe geschaltet werden, um hohe Gleichstromspannungen bis zu  $300\text{ VDC}$  zu erzeugen. Zu beachten ist, dass das Gerät nur als Stromquelle dient und keine Ströme ableiten kann, d. h. es können keine gegenphasigen Geräte angeschlossen werden.

Die maximal zulässige Spannung zwischen einer Anschlussklemme und Erde () beträgt  $300\text{ V DC}$ .

**ACHTUNG!** Spannungen dieser Größenordnung sind äußerst gefährlich. Daher müssen die Ausgangsklemmen bei Verwendung derartiger Spannungen unbedingt vor Berührung geschützt werden. Auf keinen Fall dürfen die Ausgangsklemmen in einem solchen Fall berührt werden. Sämtliche Anschlüsse an den Klemmen dürfen erst dann erfolgen, wenn alle betreffenden Netzgeräte ausgeschaltet sind.

Das Gerät kann auch mit anderen Netzteilen parallel geschaltet werden, um eine höhere Stromabgabe zu erzielen. Werden mehrere Geräte parallel geschaltet, entspricht die Ausgangsspannung dem Gerät mit der höchsten Ausgangsspannung. Dies gilt nur, solange der Strombegrenzungswert des betreffenden Geräts nicht erreicht wird. Ist dies der Fall, fällt die Ausgangsspannung auf die nächsthöchste Einstellung ab, usw. Bei Konstantstrombetrieb können mehrere Geräte parallel geschaltet werden, um einen Strom mit der Summe der jeweiligen Stromgrenzwerte bereitzustellen.

Beachten Sie, dass die Ausgangsklemmen für einen maximalen Strom von  $30\text{ A}$  ausgelegt sind. Sollen mehrere Quellen parallel geschaltet werden, um einen höheren Strom zu erreichen, muss die Verbindung an einer anderen Stelle erfolgen und nicht an einer der Anschlussklemmen

---

## Überspannungsschutz

Der Überspannungsschutz (OVP) kann zwischen 1,0 V und 40 V (XDL 35-5) oder bis 60 V (XDL 56-4) eingestellt werden. Übersteigt die Ausgangsspannung den eingestellten OVP-Wert, schaltet sich der Ausgang sofort ab (generell innerhalb von 100  $\mu$ s) und verhindert somit eine Beschädigung der angeschlossenen Testschaltung. Der Überspannungsschutz gilt für den Fall, dass unbeabsichtigt eine zu hohe Spannung am Gerät oder über die Fernbedienung eingestellt wird, aber auch, wenn eine zu hohe Fremdspannung an den Ausgangsklemmen anliegt oder die Steuerschaltung im Gerät selbst versagt. Der Überspannungsschutz wird durch Drücken auf SHIFT, OVP eingestellt.

Die Anzeige für die Schrittgröße 100 mV leuchtet auf und die JOG Anzeige blinkt. Nun kann der OVP-Wert mit dem Drehregler in 100 mV Schritten erhöht bzw. erniedrigt werden. Durch Drücken auf OK wird die neue Einstellung bestätigt. Mit der Taste ESCAPE kann die Einstellung rückgängig gemacht werden. Die werksseitig voreingestellten Werte sind 40 V (XDL 35-5) und 60 V (XDL 56-4).

Wurde der Überspannungsschutz ausgelöst, erscheint die Meldung **OUP trip** auf dem Display und der Ausgang wird abgeschaltet. Wird nun ESCAPE gedrückt, zeigt die Anzeige die voreingestellte Spannung und den Stromgrenzwert an. Nachdem die Ursache für den Auslöser behoben worden ist (oder der Grenzwert verändert wurde), kann der Ausgang wieder eingeschaltet werden.

Beachten Sie bitte, dass sich der OVP-Wert bei einer Bereichsumstellung nicht ändert (so bleibt z. B. beim XDL 35-5 eine OVP-Einstellung von 38 V auch im 15 V Bereich gültig). Es ist daher Aufgabe des Benutzers, die OVP-Einstellung ggf. neu anzupassen. Zu beachten ist auch, dass es möglich ist, einen Überspannungswert einzugeben, der unter der eingestellten Ausgangsspannung liegt. Befindet sich das Gerät im Konstantstrombetrieb, liegt die Ausgangsspannung ohnehin unter der eingestellten Spannung. In diesem Fall kann der OVP-Wert so gesetzt werden, dass er über der tatsächlichen, jedoch unter der eingestellten Ausgangsspannung liegt. Auf diese Weise schaltet sich der Ausgang automatisch ab, wenn ein Fehler vorliegt, bei dem die Lastimpedanz steigt und damit auch die tatsächliche Ausgangsspannung den OVP-Wert überschreitet.

## Überstromschutz

Der Überstromschutz (OCP) kann zwischen 0,01 A und 5,5 A (XDL 35-5) oder bis 4,4 A (XDL 56-4) eingestellt werden. Übersteigt der Ausgangsstrom den eingestellten OCP-Wert schaltet sich der Ausgang ab (generell innerhalb von 35 ms).

Der Überstromschutz wird durch Drücken auf SHIFT, OCP eingestellt. Die Anzeige für die Schrittgröße 10 mA (JOG) blinkt. Nun kann der OCP-Wert mit dem Drehregler in 10 mA Schritten erhöht bzw. erniedrigt werden. Durch Drücken auf OK wird die neue Einstellung bestätigt. Mit der Taste ESCAPE kann die Einstellung rückgängig gemacht werden. Der werksseitig voreingestellte Wert ist 5,5 A (XDL 35-5) oder 4,4 A (XDL 56-4).

Wurde der Überstromschutz ausgelöst, erscheint die Meldung **OCP trip** auf dem Display und der Ausgang wird abgeschaltet. Wird nun ESCAPE gedrückt, zeigt die Anzeige die voreingestellte Spannung und den Stromgrenzwert an. Nachdem die Ursache für den Auslöser behoben worden ist (oder der Grenzwert verändert wurde), kann der Ausgang wieder eingeschaltet werden.

Beachten Sie bitte, dass sich der OCP-Wert (wie beim Überspannungsschutz) bei einer Bereichsumstellung nicht ändert.

Zu beachten ist auch, dass es möglich ist, einen Überstromwert einzugeben, der unter dem eingestellten Strombegrenzungswert liegt. So kann das Netzgerät z. B. dazu verwendet werden, ein Testgerät mit einer Spitzenstromaufnahme von z.B. 2 Ampere wiederholt zu prüfen. Ein fehlerhaftes Testgerät würde jedoch einen Strom von mehr als 2 Ampere aufnehmen und durch die 2-A-Strombegrenzung nicht vor Beschädigung geschützt werden. In diesem Fall könnte die Strombegrenzung auf 2,1 A und der OCP-Wert auf 2,0 A eingestellt werden, um sicherzustellen dass ein fehlerhaftes Testgerät zur Abschaltung der Spannungsversorgung führt.

---

## Schutz des Ausgangs

Neben OVP und OCP zum Überspannungs- bzw. Überstromschutz ist der Ausgang zusätzlich durch eine Diode gegen eine Rückspannung geschützt. Diese Rückspannung darf 3 Ampere nicht überschreiten (Spannungsspitzen dürfen erheblich höher liegen).

## Ausgangsleistung (V x A)

Nach Drücken auf SHIFT, V x A zeigt das Spannungs-Display das Produkt aus gemessener Ausgangsspannung und gemessenem Strom an. Im Display erscheint **UA**. Die Anzeige der Ausgangsleistung wird mit der normalen Messrate aktualisiert. Die Anzeige der Ausgangsleistung wird durch erneutes Drücken von ESCAPE oder V x A abgebrochen. Während V x A angezeigt ist, wird die Schrittfunktion vorübergehend deaktiviert (die JOG Anzeigen sind ausgeschaltet).

## Temperaturschutz

Bei Überschreiten der internen Temperaturgrenze (z. B. weil die Lüfter blockiert sind), schaltet sich der Ausgang aus und das Display zeigt die Meldung **OTP trip**. Wird nun ESCAPE gedrückt, sind zwei Vorgänge möglich:

- i. Falls keine Übertemperatur mehr gegeben ist, wird die Meldung gelöscht. Das Display zeigt wieder die eingestellte Spannung und den Strombegrenzungswert an. Vorausgesetzt, die Ursache für das Auftreten der Übertemperatur wurde behoben, kann der Ausgang wieder eingeschaltet werden.
- ii. Liegt die Temperatur des Geräts weiterhin über dem Grenzwert, blinkt die **OTP trip** Meldung langsam, bis sich das Gerät abgekühlt hat. Danach zeigt das Display wieder die eingestellte Spannung und den Strombegrenzungswert an. Vorausgesetzt, die Ursache für das Auftreten der Übertemperatur wurde behoben, kann der Ausgang wieder eingeschaltet werden.

## Alarmausgang

Der versenkt montierte 2-polige Anschluss auf der Geräterückseite ist direkt mit einem optogekoppelten NPN-Schalttransistor verbunden (Pin 1 Emitter, Pin 2 Kollektor) der entsprechend den Bedingungen im Abschnitt „Zusatzfunktionen“ (siehe weiter unten) schaltet. Die Standardeinstellung ist ein Schließen des Schalters unter jeglichen Auslösebedingungen (OVP, OCP, SENSE oder OTP). Die maximale Leerlaufspannung für diesen Schalter beträgt 30 VDC, der Nennstrom zum Schließen des Schalters ist 1 mA.

## Einstellungen speichern

Das Gerät kann für jeden Ausgang 50 Einstellungen permanent speichern. Der Ausgangsstatus und die Einstellungen für die Fernabnahme werden nicht gespeichert. Darüber hinaus können weitere 50 Link-Modus Einstellungen gespeichert werden (siehe Abschnitt „Hauptausgänge - Link-Modus“).

Um eine Einstellung zu speichern, zuerst die Tasten SHIFT, STORE drücken. Auf dem Display erscheint links **Sto.** mit der Speichernummer (0 bis 49) und rechts der Speicherstatus (entweder **E** für einen leeren Speicher oder **F** bei vollem Speicher). Die SHIFT-Funktion wird an diesem Punkt deaktiviert (Leuchte geht aus). Die Speichernummer (0 bis 49) kann direkt über die Tastatur oder mit der Jog-Steuerung zur Erhöhung/Verringerung der angezeigten Zahl eingestellt werden. Die JOG-Anzeige unterhalb der Speichernummer blinkt, um anzuzeigen, dass die Jog-Steuerung aktiv ist. Stellen Sie die gewünschte Speichernummer ein und drücken Sie OK, um die Einstellungen zu speichern. Das Display kehrt zur Anzeige von V und I zurück. Die Speicherfunktion kann auch dann verwendet werden, wenn die Ausgangseinstellungen mit der Funktion #33 gesperrt wurden. Ein belegter Speicher kann mit neuen Einstellungen überschrieben werden. Durch Drücken auf ESCAPE (oder 10 Sekunden Wartezeit) kann die Speicherfunktion jederzeit deaktiviert werden, vorausgesetzt, die OK Taste wurde noch nicht betätigt.

## Speichereinstellungen löschen

Jeder beliebige Speicher kann wie folgt gelöscht werden: Drücken Sie SHIFT, STORE und stellen Sie dann die gewünschte Speichernummer über Tastatur oder Drehregler ein (siehe oben). Drücken Sie nun auf **•**. Im Display erscheint die Meldung **dEL** anstelle von **store**, z. B. **dEL 29 F**. Durch Drücken auf OK wird der Inhalt des betreffenden Speichers gelöscht. Mit der Funktion #98 können alle gespeicherten Einstellungen des Ausgangs auch gleichzeitig gelöscht werden (siehe Abschnitt „Zusatzfunktionen“).

---

## Einstellungen abrufen

Um eine Einstellung abzurufen, drücken Sie zuerst die Tasten SHIFT, RECALL. Auf dem Display erscheint links **REC.** mit der Speichernummer (0 bis 49) und rechts der Speicherstatus (entweder **E** für einen leeren Speicher oder **F** bei vollem Speicher). Wählen Sie die gewünschte Einstellung mit der Tastatur oder dem Drehregler (siehe oben). Die SHIFT-Funktion wird an diesem Punkt deaktiviert (Leuchte geht aus). Wenn der gewählte Speicher voll ist (**F**), erscheinen die V & I Werte des jeweiligen Speichers blinkend im Display. Drücken Sie OK, um die Einstellungen des Speichers aufzurufen (das Display zeigt wieder V & I). Wenn der gewählte Speicher leer ist (**E**), wird dies mit blinkendem Display ----- angezeigt. Ein leerer Speicher kann nicht abgerufen werden (bei Drücken von OK ertönt ein Warnton). Wählen Sie entweder einen vollen Speicher oder drücken Sie ESCAPE, um den Abrufvorgang zu beenden. Recall kann nicht verwendet werden, wenn der Ausgang gesperrt ist.

Durch Drücken auf ESCAPE (oder 10 Sekunden Wartezeit) kann die Speicherfunktion jederzeit deaktiviert werden, vorausgesetzt die OK Taste wurde noch nicht betätigt.

Einstellungen können bei ein- oder ausgeschaltetem Ausgang abgerufen werden. Tritt bei der aufgerufenen Speichereinstellung jedoch ein Bereichswechsel auf, wird der Ausgang abgeschaltet, um etwaige „Pannen“ zu vermeiden. Nach Drücken von SHIFT, RECALL und Einstellen der Speicher-Nr. blinkt die ON/OFF Taste (in Verbindung mit der OK Taste), wenn die Wahl des aufgerufenen Speichers einen Bereichswechsel nach sich ziehen würde. Der Ausgang kann mit der ON/OFF Taste ausgeschaltet werden, um die aufgerufene Speichereinstellung dann mit OK zu aktivieren. Es ist auch möglich OK direkt zu drücken, um den Ausgang automatisch abzuschalten und die aufgerufene Einstellung auf diese Weise zu aktivieren.

## Zusatzfunktionen

Die vom Werk aus eingestellten Funktionen können mit Hilfe der Taste # (Zusatzfunktionen) vom Benutzer verändert werden. Alle Funktionsänderungen (siehe folgende Tabelle) werden durch Drücken der Tastenfolge SHIFT, #, nn eingeleitet, wobei sich „nn“ auf die 2-stellige Nummer in der Tabelle bezieht. Das Display zeigt nach Drücken der Tasten SHIFT, # die **HASH No. \_** (Funktionsnummer) an und es ertönt ein Bestätigungssignal nach Eingabe der 2-stelligen Nummer. Wie bereits anfangs beschrieben, können die # Funktionen für jeden Hauptausgang getrennt (d. h. unterschiedlich) eingestellt werden. Zu beachten ist jedoch, dass die Funktionen #02, #03 und #21, die sich auf den Nebenausgang beziehen, nur gesetzt werden können, wenn **◀ CONTROL ▶** auf Ausgang 1 eingestellt ist.

Die Einstellungen der einzelnen Hauptausgänge können mit der Funktion #33 gesperrt bzw. freigegeben werden, wobei **◀ CONTROL ▶** dem jeweiligen Ausgang zugewiesen wird. Bei T-Modellen werden zusätzlich die AUX-Einstellungen gesperrt/freigegeben, wenn Ausgang 1 gesperrt/freigegeben wird. Die Einstellungen aller Ausgänge werden gemeinsam mit #33 gesperrt/freigegeben, wenn sich **◀ CONTROL ▶** im Link-Modus befindet.

# Code	Funktion
00	Hauptausgänge sind beim Einschalten immer ausgeschaltet (Werkseinstellung)
01	Ausgangsstatus beim Einschalten der gleiche wie beim letzten Ausschalten
02	Nebenausgang (nur T Modelle) beim Einschalten immer ausgeschaltet (Werkseinstellung). Wird mit der Steuerung für Ausgang 1 gesetzt.
03	Nebenausgangsstatus (nur T Modelle) beim Einschalten der gleiche wie beim letzten Ausschalten. Wird mit der Steuerung für Ausgang 1 gesetzt.
20	Alarmausgang bei ausgeschaltetem Hauptausgang 'offen', bei eingeschaltetem Hauptausgang 'geschlossen'.

- 
- 21 Alarmausgang 'geschlossen' wenn sich der Nebenausgang im Strombegrenzungsbereich befindet.  
Wird mit der Steuerung für Ausgang 1 gesetzt; gilt nur für den Alarm des Ausgangs 1.
  - 22 Alarmausgang 'geschlossen' bei Auslösen des Übertemperaturschutzes
  - 23 Alarmausgang 'geschlossen' bei Auslösen des im Sense-Betrieb
  - 24 Alarmausgang 'geschlossen' bei Auslösen des Überstromschutzes
  - 25 Alarmausgang 'geschlossen' bei Auslösen des Überspannungsschutzes
  - 26 Alarmausgang 'geschlossen' bei allen Auslösern (Standardeinstellung)
  - 30 Akustisches Signal aus
  - 31 Akustisches Signal ein (Standardeinstellung). Ein einzelner Ton dient zur Bestätigung, ein doppelter Ton weist auf eine falsche Eingabe hin.
  - 33 Einstellungen für die Ent-/Verriegelung. Beachten Sie, dass die Einstellungen des AUX-Ausgangs zusammen mit Ausgang 1 gesperrt werden.
  - 40 JOG Anzeige blinkt, JOG Anzeige blinkt nur wenn JOG „verdeckt“ ist
  - 41 JOG Anzeige blinkt immer, außer wenn „verdeckt“ (Werkseinstellung)
  - 42 JOG Anzeige blinkt nicht, außer wenn „verdeckt“ (langames Blinken)
  - 91 Lädt die Standard-Kalibrierparameter. Siehe Wartungsanleitung
  - 92 Zeigt die Firmware-Version im Display an
  - 93 Stellt diese Zusatzfunktionen (#) auf Werkseinstellung zurück
  - 94 Lädt Werkseinstellungen (siehe unten)
  - 98 Löscht alle gespeicherten Einstellungen des Ausgangs. Der AUX-Ausgang wird immer zusammen mit Ausgang 1 gelöscht.  
Im Link-Modus werden alle Speicher in allen Betriebsarten gelöscht (O/P1, O/P2, AUX und LINK).
  - 99 Kalibriermodus. Siehe Wartungsanleitung

### Standardeinstellungen ab Werk

Vom Werk aus wurden folgende Standardeinstellungen gesetzt, die beim ersten Einschalten des Geräts gültig sind:

Bereich:	XDL 35-5: 35 V/3 A	XDL 56-4: 56 V/2 A
Spannung:	XDL 35-5: 1,000 V	XDL 56-4: 1,000 V
Strombegrenzung:	XDL 35-5: 1,000 A	XDL 56-4: 1,000 A
OVP:	XDL 35-5: 40 V	XDL 56-4: 60 V
OCP:	XDL 35-5: 5,5 A	XDL 56-4: 4,4 A
Ausgang:	Ausgang aus; Fernfühler	
#-Einstellungen:	00	Hauptausgang beim Einschalten immer ausgeschaltet
	02	Nebenausgang beim Einschalten immer ausgeschaltet (# Funktion nur für Ausgang 1 gültig)
	26	Alarmausgang beim Auslösen 'geschlossen'
	31	akustisches Signal ein
	41	JOG Anzeige blinkt immer; langsames Blinken wenn „verdeckt“
RS232:	9600 Baud (nur P Modelle)	
Adresse:	11 (nur P Modelle)	

---

## Fehlermeldungen

Die folgenden Hardware-Fehler werden mit der entsprechenden Nummer im Display angezeigt. Die Taste OK blinkt. Wird sie gedrückt, so wird der Fehler ignoriert und der Betrieb wird wie beschrieben fortgesetzt.

Fehler Nr.	Fehlerbeschreibung	Wirkung bei Drücken auf OK
1	Kalibrierkonstanten wurden beim Einschalten korruptiert	Lädt die Standard-Kalibrierparameter
2	Extrafunktionen (#) wurden beim Einschalten korruptiert	Lädt Standard #-Einstellungen
3	Abschalteinstellungen wurden beim Einschalten nicht korrekt geladen	Lädt Standard-Einschalteinstellungen

Wird das Gerät ausgeschaltet, während eine Fehlermeldung angezeigt ist, bleiben alle Einstellungen unverändert.

## Hauptausgänge – Link-Modus (Nur T Modelle)

Im Link-Modus (wird durch Drücken der LINK Taste gewählt) erfolgt die Einstellung der wichtigsten Parameter für die beiden Hauptausgänge synchron. Wenn der Link-Modus gewählt ist, leuchten beide ◀ CONTROL ▶ Tasten (1 und 2) auf und zeigen damit an, dass beide Ausgänge aktiv sind.

Im Folgenden werden nur die Unterschiede zwischen unabhängigem und synchronem Betrieb beschrieben. Beziehen Sie sich daher bitte auch auf die entsprechenden Abschnitte unter der Überschrift „Hauptausgänge“.

### Betrieb im Link-Modus – Übersicht

Die beiden Hauptausgänge können „synchron“ gesteuert werden, so dass sich alle Einstellungen auf beide Ausgänge gleichzeitig auswirken. Dies kann aus verschiedenen Gründen wünschenswert sein:

#### 1. Parallel - oder Reihenschaltung

Auf diese Weise lässt sich die zweifache Spannung bzw. die doppelte Stromkapazität erzeugen - siehe dazu den Abschnitt zur Parallel - und Reihenschaltung mit weiteren Ausgängen auf Seite 15. Im Link-Modus lassen sich die beiden Ausgänge bei Parallel- oder Reihenschaltung sehr einfach regeln.

#### 2. Synchronbetrieb für Spannungen (oder Ströme)

Im Link-Modus lassen sich bei Eingabe über die numerische Tastatur gleiche Spannungen bzw. Ströme auf beiden Ausgängen einstellen. Eine synchrone Ausgangssteuerung ist jedoch auch bei unterschiedlich eingestellten Spannungen/Strömen möglich. In diesem Fall kann die Differenz der beiden Ausgänge über den Drehregler beibehalten werden.

#### 3. Gleichzeitiger Aufruf gespeicherter Einstellungen

Jeder Ausgang verfügt über 50 Speicherplätze. Im Link-Modus stehen jedoch zusätzlich 50 weitere Speicherplätze zur Verfügung, auf denen Einstellungen gespeichert werden können, die für beide Ausgänge gelten. Vor dem Abspeichern einer Einstellung können Spannung und Strom zunächst auch getrennt eingestellt werden, um dann vor dem Abspeichern auf den Link-Modus umzuschalten. Die auf diese Weise gespeicherten Einstellungen können dann für beide Ausgänge gleichzeitig abgerufen werden. Mit der Funktion #98 im Link-Modus werden alle Speicher aller 3 Ausgänge in allen Betriebsarten gelöscht (siehe Abschnitt „Zusatzfunktionen“).

#### Hinweise:

Bereits vorhandene Einstellungen für Ausgang 1 können mit Hilfe der Kopierfunktion vor oder nach dem Umschalten auf den Link-Modus auf Ausgang 2 übertragen werden. Im Link-Modus sind die regelbaren Funktionen auf Bereichseinstellung, Spannungseinstellung und Stromeinstellung (über numerische Tastatur oder Drehregler) sowie auf Speichern und Abrufen beschränkt. OVP, OCP und Fernfühler können im Link-Modus nicht verändert werden.

---

Die Ein/Aus-Steuerung der Ausgänge erfolgt auch im Link-Modus getrennt. Um die Ausgänge gleichzeitig ein- oder auszuschalten, müssen die Tasten ALL ON/ALL OFF verwendet werden, die unabhängig vom Link-Modus funktionieren.

Mit #33 im Link-Modus werden die Bedienelemente für alle 3 Ausgänge gleichzeitig gesperrt/freigegeben.

### **Link-Modus wählen**

Die einzigste Einschränkung bei der Wahl des Link-Modus besteht darin, dass beide Hauptausgänge bereits auf den gleichen Bereich eingestellt sein müssen. Allerdings können die beiden Hauptausgänge auch dann synchron betrieben werden, wenn deren Ausgangsspannung und Strombegrenzungswert unterschiedlich eingestellt ist. Wird die Taste LINK bei unterschiedlicher Bereichseinstellung gedrückt, so ertönt zweimal ein akustisches Signal. Gleichzeitig blinkt die Bereichsanzeige des neu zugeschalteten Ausgangs 2 Sekunden lang auf. Bei Wahl des Link-Modus werden alle Drehreglereinstellungen für beide Ausgänge ungültig.

### **Spannung und Strombegrenzung einstellen**

Die Einstellung der Ausgangsspannung und der Strombegrenzung erfolgt im Wesentlichen wie im unabhängigen Betrieb der beiden Ausgänge mit Hilfe der Tastatur oder des Drehreglers. Bei Verwendung der Tastatur werden beide Ausgänge exakt auf die gleiche Spannung bzw. Strombegrenzung eingestellt, unabhängig davon welche Einstellungen sie vorher hatten. Beachten Sie, dass es eine Zeitdifferenz geben kann, bevor beide Ausgänge den gleichen Wert erreicht haben (selbst bei gleicher ursprünglicher Einstellung). Die Zeitdifferenz liegt zumeist unter 40 ms und maximal bei 80 ms. Bei Verwendung des Drehreglers bleibt der beim Drücken der LINK Taste evtl. bestehende Unterschied beider Ausgänge in Bezug auf Spannung und Strombegrenzung erhalten. Auf diese Weise lassen sich beide Ausgänge auch bei unterschiedlichen Werten synchron regeln. Dies geschieht so lange, bis einer der Ausgänge seine Bereichsgrenze erreicht, woraufhin eine Warnung für den jeweiligen Ausgang ertönt (der Ausgang bleibt jedoch an der Bereichsgrenze). In diesem Fall ist die Synchronisation effektiv aufgehoben und die Ausgänge nähern sich mit jeder weiteren Einstellung an einander an. In umgekehrter Einstellrichtung wird die neue (kleinere) Differenz zwischen beiden Ausgängen so lange beibehalten, bis einer der Ausgänge die entgegengesetzte Bereichsgrenze erreicht. Wird der Link-Modus bei aktivem Drehregler abgebrochen, so bleibt der Drehregler für den gewählten Ausgang gültig.

### **Einstellungen speichern und aufrufen**

Im Link-Modus stehen 50 weitere permanente Speicherstellen zur Verfügung. Diese arbeiten getrennt von den 50 Speicherplätzen, die für jeden Ausgang im unabhängigen Betrieb vorhanden sind. Bei den gespeicherten Parametern handelt es sich um: Bereich, Spannung, Strombegrenzungswert, OVP und OCP. Die Speicherfunktionen im Link-Modus entsprechen genau den bereits beschriebenen Speicherfunktionen für die Hauptausgänge. Allerdings erscheinen im Link-Modus die jeweiligen Meldungen gleichzeitig auf beiden Displays.

### **OVP, OCP und Fernfühler**

Einstellungen für OVP, OCP und Fernfühler können nur bei unabhängigem Betrieb beider Kanäle vorgenommen werden. Diese Einstellungen werden beim Umschalten auf den Link-Modus beibehalten. OVP und OCP können im Link-Modus gespeichert werden. Für die Fernfühlereinstellung ist dies nicht möglich. Beim Versuch, die Einstellungen für OVP, OCP oder Fernfühler im Link-Modus zu ändern, blinkt die Meldung **SELct 1or2** auf dem Display für Ausgang 1 auf, um den Anwender daran zu erinnern, dass diese Parameter für jeden Kanal getrennt eingestellt werden müssen. Die blinkende Anzeige wird mit ESCAPE annulliert. Anschließend kann der jeweilige Kanal mit den Tasten ◀ CONTROL ▶ 1 oder 2 auf die gewünschten Werte für OVP, OCP und Fernfühler eingestellt werden.

### **Ausgangsleistung**

Durch Drücken der Tastenfolge SHIFT, V x A wird die Ausgangsleistung beider Ausgänge gleichzeitig auf dem jeweiligen Display angezeigt (V x A auf der Spannungsanzeige, **UA** auf der Stromanzeige), wie dies auch im unabhängigen Betrieb der Fall ist.

---

## Zusatzfunktionen

Die oben im Kapitel "Hauptausgänge" beschriebenen Zusatzfunktionen (#) können auch im Link-Modus eingestellt werden. Dabei erscheint nach dem Drücken auf die Tasten SHIFT, # die Meldung **HASH No. \_** auf beiden Anzeigen. In diesem Fall gelten alle eingestellten Zusatzfunktionen natürlich für beide Ausgänge. Die Zusatzfunktionen können jedoch nach wie vor im unabhängigen Betrieb getrennt eingestellt werden und behalten dann ihre Gültigkeit auch im Link-Modus.

## Steuerbus, Wahl der Adresse und Baudrate

Steuerbus, Adresse und Baudrate können nur eingestellt werden, wenn Ausgang 2 aktiviert ist. Die eingestellten Parameter werden wie auch im unabhängigen Betrieb auf dem Display für Ausgang 2 angezeigt. Beim Versuch diese Parameter im Link-Modus bei gewähltem Ausgang 1 einzustellen, erscheint die Meldung **SELct P.U.\_2** auf dem Display für Ausgang 1 und erinnert somit daran, dass Ausgang 2 gewählt werden muss. In diesem Fall die Escape Taste drücken, um diese Meldung zu löschen (oder einfach warten, bis sie ausgeblendet wird) und dann auf Ausgang 2 umschalten.

## Hauptausgänge – Kopierfunktion (Nur T Modelle)

Die Haupteinstellungen für Ausgang 1 können mit Hilfe der Kopierfunktion auf Ausgang 2 übertragen werden, unabhängig davon welche Steuerart ◀ CONTROL ▶ (1, 2 oder LINK) gerade gewählt ist. Zu den kopierten Parametern gehören: Bereich, Spannung, Strombegrenzung, OVP und OCP. Die Einstellungen für Fernfühler, ON/OFF, Drehregler sowie gespeicherte Werte werden nicht kopiert.

Durch Drücken der Tastenfolge SHIFT, COPY 1>2 erscheinen die Einstellungen für Spannung, Strom und Bereich des Ausgangs 1 blinkend im Display des Ausgangs 2. Gleichzeitig blinkt die Taste OK. Durch Drücken der Taste OK wird der Kopiervorgang bestätigt und ausgeführt. Durch Drücken der Taste ESCAPE kann der Vorgang jederzeit abgebrochen werden.

Hat der Kopiervorgang zur Folge, dass sich der Bereich für Ausgang 2 ändert (vorausgesetzt Ausgang 2 ist ON), blinkt zusätzlich die ON/OFF Taste für Ausgang 2. Durch Drücken der Taste OK wird der Ausgang ausgeschaltet. Der Ausgang kann allerdings vor dem Drücken der OK Taste auch direkt über die ON/OFF Taste ausgeschaltet werden.

## Nebenausgang (nur T Modelle)

Der Nebenausgang (AUX) liefert bis zu 3 Ampere bei 1,00 V bis 6,00 V. Die Ausgangsspannung wird ausschließlich mit dem Drehregler in festen Schritten von 10 mV eingestellt. Die Strombegrenzung ist mit  $\geq 3$  Ampere fest eingestellt.

Durch wiederholtes Drücken der SET / VIEW-Taste neben den AUX-Klemmen kann die AUX Ausgangsspannung eingestellt sowie Spannung und Strom auf dem Display für Hauptausgang 1 überwacht werden. Die Taste einmal drücken, um AUX V & I anzuzeigen (Dies wird durch ein **A** vor der V-Einstellung angegeben). Drücken Sie die Taste erneut, um V & I für Ausgang 1 darzustellen.

Der AUX Ausgang wird über die Taste AUX ON/OFF ein- und ausgeschaltet. Bei eingeschaltetem AUX Ausgang leuchtet diese Taste auf. Bei ausgeschaltetem AUX Ausgang und Darstellung von AUX V & I auf dem Display für Ausgang 1, kann die AUX Ausgangsspannung mit dem Drehregler angezeigt und eingestellt werden. Die Strombegrenzung ist fest eingestellt, die Vorschau zeigt 3.00A. Bei eingeschaltetem AUX Ausgang, zeigt die Anzeige für Ausgang 1 die Istwerte für AUX Ausgangsspannung und -strom an.

Der AUX Ausgang ist wie folgt vor Überlastung und kurzzeitigen Kurzschlüssen geschützt. Wenn der Laststrom  $\sim 3,00$  A übersteigt, leuchtet die  $I_{LIMIT}$  Lampe auf und zeigt an, dass keine Regelung stattfindet. Wenn diese Überlastung länger als ca. 5 Sek. anhält, wird der Ausgang abgeschaltet. Die AUX ON / OFF-Taste leuchtet nicht mehr, die  $I_{LIMIT}$  Lampe blinkt jetzt, und die Anzeige von Ausgang 1 (sofern auf Darstellung von AUX V & I eingestellt) zeigt die Meldung **trip** anstelle des gemessenen Stroms. Durch Drücken der Taste AUX ON / OFF werden dann sowohl die  $I_{LIMIT}$



---

Lampe und das Display für Ausgang 1 zurückgesetzt (Anzeige der voreingestellten AUX Spannung und Strombegrenzung). Nach Entfernen der Überlastungsursache kann der AUX Ausgang wieder eingeschaltet werden.

Zum Speichern von Einstellungen der AUX Ausgangsspannung stehen weitere 10 nicht-flüchtige Speicher (unabhängig von den 50 Speichern pro Hauptausgang und im Link-Modus-Betrieb) zur Verfügung. Drücken Sie die SET / VIEW-Taste, um AUX V & I in der Anzeige von Ausgang 1 zu zeigen. Die Bedienung erfolgt dann genau so, wie in den Abschnitten zum Speichern, Abrufen und Löschen der Hauptausgänge beschrieben.

Die Ausgangsklemmen auf der Vorderseite sind zusätzlich auch auf der Geräterückseite vorhanden (schraubenfreie Klemmen), um einen Regaleinbau zu ermöglichen. Eine Fernfühlerfunktion existiert nicht.

Die folgenden Merkmale des AUX Ausgangs können über die Remote-Schnittstellen eingestellt bzw. überwacht werden:

- Ausgangsspannung einstellen; Rückmeldung der eingestellten Ausgangsspannung.

- Rückmeldung der Istwerte für Ausgangsspannung und -strom.

- Eine deltaV Schrittgröße einrichten; Rücklesen der eingestellten Schrittgröße.

- Ausgangsspannung um deltaV erhöhen/erniedrigen

- AUX Ausgang ein- und ausschalten.

- Rückmeldung des Ein/Aus-Status des Ausgangs.

- Strombegrenzung und Status für Überstromschutz (über LSR2? Befehl, siehe Statusmodell).

Weitere Details entnehmen Sie bitte dem Abschnitt „Fernsteuerbefehle“.

---

# Fernbedienung (nur P Modelle)

Das Gerät kann über seine RS232-, USB-, LAN- oder GPIB-Schnittstellen ferngesteuert werden.

Die USB-Fernsteuerung funktioniert ähnlich wie bei der RS232 Schnittstelle, jedoch über den USB-Anschluss. Die mit dem Gerät gelieferte Software richtet den steuernden Computer darauf ein, den USB-Anschluss als virtuellen COM-Port zu behandeln. Die Anwendungssoftware auf dem Computer kann dann über den COM-Port auf das Gerät zugreifen.

Die LAN-Schnittstelle entspricht LXI (Lan eXtensions for Instrumentation) Version 1.2; das Gerät ist Class C konform. Eine Fernsteuerung über die LAN-Schnittstelle ist über das TCP/IP Sockets-Protokoll möglich. Das Gerät enthält auch einen einfachen Web-Server mit Informationen zum Gerät, der die Konfiguration von einem Web-Browser aus ermöglicht. Eine einfache Befehlszeilensteuerung vom Browser aus ist ebenfalls möglich.

Alle Schnittstellen sind standardmäßig zu jeder Zeit aktiviert (wie von der LXI Spezifikation gefordert), der Zugang zu einzelnen Schnittstellen kann jedoch über die Konfigurationsoptionen auf den Webseiten eingeschränkt werden.

## Sperrungen der Schnittstellen

Alle Schnittstellen sind jederzeit aktiviert; dadurch braucht die aktive Schnittstelle nicht speziell gewählt werden (siehe LXI Spezifikation). Damit das Gerät nicht versehentlich gleichzeitig von zwei Schnittstellen gesteuert wird, enthält der Befehlssatz einen einfachen Sperr- und Freigabemechanismus. Die Sperrung wird automatisch aufgehoben, wenn eine Trennung festgestellt werden kann oder wenn die Taste „LOCAL“ gedrückt wird. Der Zugriff auf die Schnittstellen kann auch über die Webseiten beschränkt werden.

Jede Schnittstelle kann durch Senden des Befehls „IFLOCK“ eine exklusive Steuerung des Geräts anfordern. Die Sperre wird nur aufgehoben, wenn der Befehl „IFUNLOCK“ von der aktuell gesperrten Schnittstelle gesendet wird. Andere Schnittstellen können den Schnittstellen-Status mit dem Befehl „IFLOCK?“ abfragen. Die Antwort auf diese Befehle lautet „-1“, wenn die Sperre bereits von einer anderen Schnittstelle in Anspruch genommen wird, „0“, wenn die Schnittstelle frei ist und „1“, wenn die fragende Schnittstelle bereits gesperrt ist. Wird ein Befehl von einer Schnittstelle ohne Steuerrechte gesendet, der versucht den Gerätestatus zu ändern, so wird Bit 4 des Standard Event Status Registers und 200 in das Execution Error Register gesetzt, um darauf hinzuweisen, dass für die gewünschte Aktivität keine ausreichenden Rechte vorhanden sind.

**Hinweis:** Die Rechte für eine Schnittstelle können über die Webseite auch auf „schreibgeschützt“ oder auf „kein Zugriff“ gesetzt werden.

## Einstellen der Adresse, RS232 Baudrate und Schnittstellen-Status Ansicht

Die Adressierungsfähigkeit wird eigentlich nur von der GPIB Schnittstelle benötigt. Der ADDRESS?-Befehl kann jedoch von allen Schnittstellen zur einfachen Identifizierung des von einem bestimmten COM-Port (bei RS232 oder USB) bzw. TCP-Socket (bei LAN) gesteuerten Geräts verwendet werden. Beachten Sie, dass die LAN Schnittstelle auch eine getrennte Identifizierungsfunktion besitzt, die von der Webseite des Geräts aus zugänglich ist und dazu führt, dass das Gerät so lange blinkt, bis der Befehl beendet wird.

Zur Einstellung der Schnittstellenadresse bzw. Baudrate muss die Steuerart zuerst auf ◀ CONTROL ▶ 2 gesetzt werden (d. h. es ist nur Ausgang 2 gewählt). Die Tasten SHIFT und „Addr/Baud“ drücken, um die aktuelle Busadresse des Geräts anzuzeigen. Durch erneutes Drücken der Taste Addr/Baud wird die aktuell ausgewählte Baudrate angezeigt (bei wiederholtem Drücken werden beide abwechselnd angezeigt).

Soll die Adresse geändert werden, mit dem Drehknopf die einzelnen Adressen durchgehen (Adresse muss bereits angezeigt sein). Die Adresse kann zwischen 1 und 31 eingestellt werden. Die Adresse kann auch über die Webseite des Geräts eingestellt werden. Soll die Baudrate geändert werden, mit dem Drehknopf die einzelnen Optionen (600 bis 19200, Voreinstellung 9600) durchgehen (Baudrate muss bereits angezeigt sein).

---

Taste OK drücken, um die zuletzt angezeigte Adresse bzw. Baudrate zu wählen. Durch Drücken auf ESCAPE wird die ursprüngliche Einstellung beibehalten.

Alle Schnittstellen sind grundsätzlich aktiviert. Die Rechte für eine Schnittstelle können über die Webseite auch auf „schreibgeschützt“ oder auf „kein Zugriff“ gesetzt werden. Der Status der Steuerrechte für die Schnittstellen kann auf der Gerätevorderseite eingesehen, aber nicht verändert werden.

Zur Ansicht der Steuerrechte für die Schnittstellen muss die Steuerart zuerst auf ◀ CONTROL ▶ 2 gesetzt werden (d. h. es ist nur Ausgang 2 gewählt). Die Tasten SHIFT und „Bus Type“ drücken, um zuerst den Status der GPIB Schnittstelle anzuzeigen. Um die Steuerrechte für eine andere Schnittstelle anzuzeigen, scrollen Sie mit der JOG-Steuerung durch die Schnittstellenliste, bis die gewünschte Schnittstelle erscheint. Der Status wird mit **Fu11**, **oFF** oder **rEAd** angegeben.

## Ferngesteuerter/Lokaler Betrieb

Nach dem Einschalten befindet sich das Gerät im Modus Lokalbetrieb, die REM Anzeige leuchtet nicht. In diesem Zustand sind alle Eingaben über die Tastatur möglich. Wird das Gerät per Schnittstelle angesteuert und ein Befehl empfangen, schaltet das Gerät auf Fernbedienung und REM wird aktiviert. In diesem Modus ist die Tastatur abgeschaltet und es werden nur Fernsteuerbefehle abgearbeitet. Das Gerät kann durch Drücken der LOCAL Taste wieder auf lokal umgeschaltet werden. Dieser Zustand hält so lange an, bis das Gerät wieder adressiert wird oder über die Schnittstelle ein weiteres Zeichen empfängt. Dann ist es wieder im Remote-Status.

## RS232-Schnittstelle

### Schnittstellenanschluss RS232

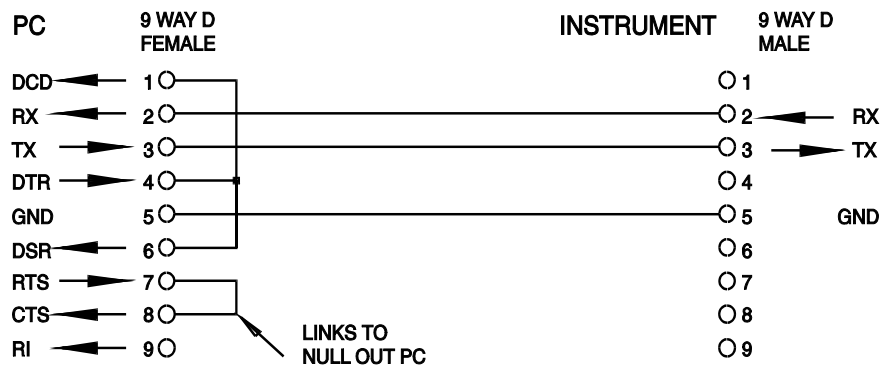
Der 9-polige Steckverbinder (Typ D) für die serielle Schnittstelle befindet sich auf der Geräterückwand

Die Pinbelegung ist wie folgt:

Pin	Bez.	Beschreibung
1	RI	Passive Bestimmung (+V durch 10 kΩ)
2	TXD	Übertragungsdaten vom Gerät
3	RXD	Empfangsdaten zum Gerät
4	CTS	
5	GND	Signalmasse
6	RTS	Passive Bestimmung (+V durch 10 kΩ)
7	DSR	Keine interne Verbindung
8	DTR	
9	CD	Keine interne Verbindung

### RS232-Anschlüsse

Die RS232 Schnittstelle muss mithilfe eines vollverdrahteten Kabels (männlich-weiblich 1:1) ohne überkreuzende Verbindungen an einen standardmäßigen PC-Port angeschlossen werden. Alternativ werden nur die Pins 2, 3 und 5 an den PC angeschlossen, doch müssen Verbindungen im PC-Anschluss zwischen den Pins 1, 4 und 6 sowie 7 und 8 hergestellt werden (siehe Diagramm).



Die Baudrate wird gemäß der Beschreibung im obigen Abschnitt „Einstellung der Adresse und Baudrate“ eingestellt. Die anderen Parameter sind wie folgt festgelegt:

Startbits: 1	Parität: keine
Datenbits: 8	Stoppsbits: 1

### RS232-Zeichensatz

Aufgrund des erforderlichen XON/XOFF-Protokolls stehen zur Datenübertragung nur ASCII-kodierte Zeichen zur Verfügung, binäre Blöcke sind nicht zulässig. Bit 7 des ASCII-Codes wird ignoriert, d.h. als Low angenommen. In der Befehlsmnemonik wird nicht zwischen Groß- und Kleinschreibung unterschieden, sie kann auch vermischt werden. In diesem Handbuch steht 20H usw. für 20 hexadezimal usw.

### USB-Schnittstelle

Die USB-Schnittstelle ist ein virtueller COM-Port, der vom PC so gesteuert werden kann, als handele es sich um ein RS232 Gerät. Dem Gerät liegt eine CD mit einer „.inf-Datei“ für die standardmäßigen Microsoft-Treiber in Windows 2000, XP, Vista und Windows 7 bei. Der Installationsassistent installiert den jeweiligen Treiber (32-Bit oder 64-Bit) für das Betriebssystem des PCs. Treiber-Updates sind auf der TTI-Website [www.tti-test.com](http://www.tti-test.com) erhältlich.

Die Installation des Schnittstellentreibers erfolgt, indem das Gerät über ein normales USB-Kabel an einen PC angeschlossen wird. Durch die „Plug-and-Play“ Funktionalität unter Windows wird die am USB-Port angeschlossene neue Hardware normalerweise automatisch erkannt. Beim erstmaligen Anschluss des Geräts fragt Windows daraufhin nach dem Pfad des entsprechenden Treibers. Nach korrekter Eingabe der entsprechenden Informationen installiert Windows nun den geeigneten Treiber und richtet im PC einen virtuellen COM-Port ein. Die Nummer des neuen COM-Ports richtet sich nach der Anzahl der bereits vorhandenen COM-Schnittstellen im PC. Dieser virtuelle COM-Port kann von Windows genau wie jeder andere normale COM-Port angesprochen werden, allerdings wird die Baudrateneinstellung des virtuellen COM-Port ignoriert.

Der installierte Treiber verbleibt auf dem PC, so dass der virtuelle COM-Port in Zukunft automatisch eingerichtet wird, sobald das Gerät über USB an den PC angeschlossen wird.

Weitere virtuelle COM-Ports werden für jedes zusätzliche, über USB an den PC angeschlossene Gerät erstellt. Jedem Gerät wird bei seinem ersten Anschluss ein separater virtueller COM-Port zugewiesen, und derselbe COM-Port wird bei jedem darauf folgenden Anschluss erneut zugewiesen. Die PC-Software nutzt den in jedem Gerät enthaltenen eindeutigen Code zur Verbindung mit demselben virtuellen COM-Port unabhängig vom physikalischen USB-Port, an den es angeschlossen ist.

Der Befehl ADDRESS? kann ebenfalls zur einfachen Identifizierung des von einem bestimmten COM-Port gesteuerten Geräts verwendet werden. Obwohl die Adressierungsfähigkeit beim USB-Betrieb ignoriert wird, kann die Adresse weiterhin eingestellt und als Kennung verwendet werden. Stellen Sie jedes per USB angeschlossene Gerät auf eine unterschiedliche Adresse ein und schicken Sie den ADDRESS?-Befehl von jedem virtuellen COM-Port zur Bestätigung des an den Port angeschlossenen Geräts.

---

## LAN-Schnittstelle

Die LAN-Schnittstelle entspricht LXI (Lan eXtensions for Instrumentation) Version 1.2 und umfasst die folgenden Schnittstellen und Protokolle. Da es durchaus möglich ist, die LAN-Schnittstelle derart falsch zu konfigurieren, dass ein Datenaustausch per LAN nicht mehr möglich ist, besitzt das Gerät auf der Rückseite einen versenkten Schalter, sodass ein Zurücksetzen auf die Werksvoreinstellung mithilfe der LCI (LAN Configuration Initialize) Funktion möglich ist. Standardmäßig versucht das Gerät sich Einstellungen über DHCP zu holen. Ist dies nach 30 Sekunden nicht erfolgreich (DHCP-Timeout), erfolgt ein Wechsel auf Auto-IP. Im unwahrscheinlichen Fall, dass keine Auto-IP Adresse gefunden werden kann, wird eine statische IP-Adresse (192.168.0.100) zugewiesen. Durch Zurücksetzen des LAN wird ein etwaiger Passwortschutz entfernt.

Weitere Informationen zu den LXI Spezifikationen finden Sie auf [www.lxistandard.org/home](http://www.lxistandard.org/home).

### LAN-Verbindung

Um die LAN-Schnittstelle verwenden zu können, muss die IP-Adresse des Geräts bekannt sein. Auf der mitgelieferten CD-ROM befindet sich das LXI Discovery Tool, mit dessen Hilfe die IP-Adresse (und weitere Informationen) aller angeschlossenen Geräte angezeigt werden können, die dem VXI-11 Discovery Protokoll entsprechen. Bei diesem Tool handelt es sich um ein Windows PC Programm, das auf dem steuernden PC installiert und ausgeführt werden muss. Das Gerät wird hierbei entweder direkt über den PC Netzwerkanschluss oder über einen Router verbunden. Die Verbindung über einen Router bietet den Vorteil, dass sich eine IP-Adresse erheblich schneller zuweisen lässt. Bei einer Direktverbindung mit dem PC findet die Zuweisung erst nach dem 30 Sekunden währenden DHCP-Timeout statt. Durch Doppelklick auf einen Eintrag in der Geräteliste wird der Web-Browser des PCs gestartet und die Homepage des jeweiligen Geräts angezeigt.

Zusätzlich sind Tools für die LAN Discovery im Rahmen der Programmpakete „National Instruments Measurement and Automation Explorer“ sowie „Agilent Vee“ vorhanden.

Beim Einschalten versucht das Gerät sich Einstellungen über DHCP zu holen. Ist dies nach 30 Sekunden nicht erfolgreich (DHCP-Timeout), erfolgt ein Wechsel auf Auto-IP. Im unwahrscheinlichen Fall, dass keine Auto-IP Adresse gefunden werden kann, wird eine statische IP-Adresse (192.168.0.100) zugewiesen. Während dieser Zeit leuchtet die LAN-Lampe und bleibt an, sofern eine erfolgreiche LAN-Verbindung zustande gekommen ist. Ist jedoch nach Abschluss des obigen Vorgangs immer noch keine Verbindung vorhanden, oder wenn der LAN-Stecker abgezogen wurde, geht die LAN-Lampe aus (siehe Abschnitt „LAN-Fehler“).

### Webserver; Konfiguration des Passwortschutzes

Das Gerät enthält einen einfachen Webserver. Dieser liefert Informationen zum Gerät und ermöglicht die Konfiguration. Die Konfigurationsseite kann mit einem Passwort geschützt werden, um unbefugte Änderungen der Konfiguration für den Fernsteuerbetrieb zu verhindern.

Auf der eigentlichen Konfigurationsseite wird erklärt, wie das Passwort gesetzt werden kann. Das Passwort darf bis zu 15 Zeichen lang sein. Beachten Sie, dass der **Benutzername (User Name) leer bleiben muss**. Beim Zurücksetzen aller LAN-Parameter auf die Werksvoreinstellung über den LAN RESET Schalter auf der Geräte rückseite wird auch das Passwort auf die Standardeinstellung (kein Passwort) zurückgesetzt.

Die Webseiten verfügen über eine Identifizierungsfunktion, sodass der Benutzer einen Identifizierungsbefehl zum Gerät senden kann. Daraufhin blinkt dessen Display, bis der Befehl aufgehoben wird.

### ICMP Ping-Server

Das Gerät enthält einen ICMP-Server, um das Gerät entweder über den Hostnamen oder die IP-Adresse per Ping-Befehl anzusprechen.

### VXI-11 Discovery Protokoll

Das Gerät unterstützt stark eingeschränkt das VXI-11 Protokoll, sodass lediglich eine Instrumentenerkennung möglich ist.

Das Gerät implementiert einen Sun RPC Port-Mapper auf TCP Port 111 und UDP Port 111 (siehe RPC1183). Folgende Aufrufe stehen zur Verfügung: NULL, GET PORT und DUMP.

---

Auf TCP Port 1024 wird ein sehr einfaches VXI-11 Protokoll implementiert, das zur Instrumentenerkennung ausreicht. Hier werden folgende Aufrufe unterstützt: CREATE LINK, DEVICE\_WRITE, DEVICE\_READ und DESTROY\_LINK.

Nach Herstellung der Verbindung werden alle weiteren Informationen vom Gerät ignoriert und es wird lediglich der Identifizierungs-String wie bei einem `**IDN?` Befehl in folgender Form ausgegeben:

*'Hersteller,Modell,Seriennr.,X.xx – Y.yy'*

*Zum Beispiel:*

*SORENSEN, XDL 35-5TP, 279730, 1.00 – 1.00*

wobei 'X.xx' die Revisionsnummer der Main-Firmware und 'Y.yy' die Revisionsnummer der Interface-Firmware angibt. Die Interface-Firmware ist über den USB-Port vom Benutzer vor Ort aktualisierbar.

## VISA Resource-Name

Aufgrund der eingeschränkten Unterstützung für das VXI-11 Protokoll (nur Discovery Protocol), muss das Gerät über seine Raw-Socket-Informationen aufgerufen werden, wenn es in Zusammenhang mit Anwendungen verwendet wird, die über einen VISA Resource-Namen kommunizieren. So hätte z. B. ein Gerät mit IP-Adresse 192.168.1.100 normalerweise den VISA Resource-Namen `TCPIP0::192.168.1.100::inst0::INSTR`, der aber für dieses Gerät modifiziert werden muss auf `TCPIP0::192.168.1.100::9221::SOCKET`, wobei 9221 der vom Gerät verwendete TCP-Port für Steuerung und Überwachung ist (siehe unten).

## XML Identifikationsdokument URL

Wie von der LXI Norm gefordert, stellt das Gerät ein „XML Identification Document“ bereit, das über einen GET Befehl unter `http://<hostname>:80/lxi/identification` abgefragt werden kann. Es entspricht dem LXI XSD Schema (siehe <http://www.lxistandard.org/InstrumentIdentification/1.0>) und dem W3C XML Schema (<http://www.w3.org/XML/Schema>). Dieses Dokument beschreibt das Gerät.

## TCP Sockets

Das Gerät verwendet 2 Sockets auf TCP Port 9221 für die Gerätesteuerung und Überwachung. An diesen Port werden die im Abschnitt 'Fernsteuerbefehle' beschriebenen Befehle gesendet. Die Antwort erfolgt über den gleichen Port. Eine Zeichenkette muss aus ein oder mehreren vollständigen Befehlen bestehen. Befehle können durch ein Semikolon (;) oder einen Zeilenvorschub getrennt werden. Ein Trennzeichen ist nicht erforderlich, da der TCP Rahmen vollständige Befehle enthält. Befehle können zwar mit Trennzeichen gesendet werden, dieses wird jedoch ignoriert. Jeder Befehl über TCP verhält sich, als ob er mit einem Command Terminator (ASCII Zeichen 0AH, Zeilenvorschub) abgeschlossen wurde.

## LAN-Fehler

Wenn nach Herstellung einer LAN Verbindung ein Fehler festgestellt worden ist (z. B. gleiche IP-Adresse wie ein anderes Gerät im Netzwerk), geht die LAN-Lampe (über der Messanzeige für Ausgang 2) aus, bis der Fehler behoben wurde. Bei Auftreten eines LAN Fehlers muss die Gerätekonfiguration geprüft und ggf. korrigiert werden. Über einen versenkten Schalter auf der Rückseite (LAN RESET) kann das Gerät mittels LAN Configuration Initialize (LCI) Mechanismus auf die Werkseinstellung zurückgesetzt werden. Standardmäßig versucht das Gerät sich Einstellungen über DHCP zu holen. Ist dies nach 30 Sekunden nicht erfolgreich (DHCP-Timeout), erfolgt ein Wechsel auf Auto-IP. Im unwahrscheinlichen Fall, dass keine Auto-IP Adresse gefunden werden kann, wird eine statische IP-Adresse (192.168.0.100) zugewiesen. Wenn überhaupt kein physischer LAN-Anschluss erkannt wird, bleibt die LAN-Lampe aus.

## GPIB-Schnittstelle

Der 24-polige Steckverbinder für die GPIB-Schnittstelle befindet sich auf der Geräterückseite. Die Stiftbelegung entspricht der Norm IEEE Std. 488.1-1987 und das Gerät ist konform mit IEEE Std. 488.1-1987 und IEEE Std. 488.2-1987.

---

## GPIB Befehlsätze

Das Gerät ist mit folgenden IEEE 488.1 Befehlsätzen versehen:

Source Handshake	SH1
Acceptor Handshake	AH1
Talker	T6
Listener	L4
Service Request	SR1
Remote Local	RL1
Parallel Poll	PP1
Device Clear	DC1
Device Trigger	DT0
Controller	C0
Electrical Interface	E2

## GPIB IEEE Std. GPIB Fehlerbehandlung nach IEEE Std. 488.2 – Query Error Register

Der Fehler UNTERMINATED nach IEEE 488.2 (Kommunikation aktiviert, doch nichts zu berichten) wird wie folgt behandelt: Ist das Gerät auf Kommunikation gestellt, der Antwortformatierer jedoch nicht aktiv und die Eingangswarteschlange leer, so wird ein UNTERMINATED-Fehler generiert. Dies bewirkt, dass ein Query Error-Bit im Standard Event Status Register gesetzt, der Wert von 3 ins Query Error Register geschrieben und der Parser zurückgesetzt wird. Weitere Informationen entnehmen Sie bitte dem Abschnitt „Status-Berichterstattung“.

Der Fehler INTERRUPTED nach IEEE 488.2 wird wie folgt behandelt: Wartet der Antwortformatierer auf das Senden einer Antwort und wurde vom Parser ein <PROGRAM MESSAGE TERMINATOR> gelesen oder enthält die Eingangswarteschlange mehr als eine END-Meldung, so wird das Gerät INTERRUPTED (unterbrochen) und eine Fehleranzeige generiert. Dies bewirkt, dass ein Query Error-Bit im Standard Event Status Register gesetzt, der Wert 1 ins Query Error Register geschrieben und der Antwortformatierer zurückgestellt wird, wodurch die Ausgangswarteschlange gelöscht wird. Jetzt beginnt der Parser die nächste <PROGRAM MESSAGE UNIT> der Eingangswarteschlange zu verarbeiten. Weitere Informationen entnehmen Sie bitte dem Abschnitt „Status-Berichterstattung“.

Der Fehler DEADLOCK nach IEEE 488.2 wird wie folgt behandelt: Wartet der Antwortformatierer auf das Senden einer Antwort und wird die Eingangs-Warteschlange voll, so schaltet das Gerät auf DEADLOCK Status und eine Fehleranzeige wird generiert. Dies bewirkt, dass ein Query Error-Bit im Standard Event Status Register gesetzt, der Wert 2 ins Query Error Register geschrieben und der Antwortformatierer zurückgestellt wird, wodurch die Ausgangswarteschlange gelöscht wird. Jetzt beginnt der Parser die nächste <PROGRAM MESSAGE UNIT> der Eingangs-Warteschlange zu verarbeiten. Weitere Informationen entnehmen Sie bitte dem Abschnitt „Status-Berichterstattung“.

## GPIB Parallelabfrage (Parallel Poll)

Das Gerät besitzt eine vollständige Parallelabfrage. Das Parallel Poll Enable Register wird gesetzt damit festgelegt wird, welche Bits im Status Byte Register zur Bildung der lokalen Meldung „ist“ dienen. Das Parallel Poll Enable Register (Parallelabfrage-Aktivierungsregister) wird durch den Befehl \*PRE <nrf> gesetzt und mit dem Befehl \*PRE? ausgelesen. Der Wert im Parallel Poll Enable Register wird mit dem Status Byte Register AND verknüpft. Lautet das Ergebnis Null, so beträgt der Wert von „ist“ 0, ansonsten ist der Wert von „ist“ 1.

Das Gerät muss außerdem so konfiguriert sein, dass der Wert von „ist“ während einer Parallelabfrage an das Steuergerät zurückgeschickt werden kann. Die Konfigurierung des Gerätes erfolgt vom Steuergerät, indem letzteres einen Parallel Poll Configure-Befehl (PPC) mit anschließendem Parallel Poll Enable-Befehl (PPE) sendet. Die Bits des PPE-Befehls sind unten aufgeführt:

bit 7	X	Unbeachtet lassen
bit 6	1	Aktivierung der Parallelabfrage
bit 5	1	
bit 4	0	
bit 3	Sense	Wert des Antwortbits: 0 = low, 1 = high
bit 2	?	Bitposition der Antwort
bit 1	?	
bit 0	?	

Um an Bitposition 1 das RQS-Bit (Bit 6 des Status Byte Register) mit 1, wenn wahr, und mit 0, wenn nicht wahr, als Antwort auf eine Parallel Poll-Operation auszugeben, senden Sie folgende Befehle

\*PRE 64<pmt>, dann PPC, gefolgt von 69H (PPE)

Die Antwort auf die Parallelabfrage vom Gerät lautet dann 00H, wenn RQS gleich 0 ist, und 01H, wenn RQS gleich 1 ist.

Während der Parallelabfrageantwort sind die DIO-Schnittstellenleitungen mit einem ohmschen Abschlusswiderstand versehen (passiver Abschluss). Dadurch können sich mehrere Geräte, entweder in Wired-AND- oder Wired-OR-Konfiguration, dieselbe Position für das Antwortbit teilen. Weitere Informationen entnehmen Sie bitte IEEE 488.1.

## Statusberichterstattung

Dieser Abschnitt beschreibt das gesamte Statusmodell des Gerätes. Zu beachten ist, dass sich einige Register spezifisch auf den GPIB-Teil des Gerätes beziehen und in einer RS232-Umgebung nur begrenzt brauchbar sind.

### Standard Event Status und Standard Event Status Enable Register

Diese beiden Register sind gemäß der Norm IEEE 488.2 ausgeführt. 488.2.

Bits, die im Standard Event Status Register gesetzt werden und Bits entsprechen, die im Standard Event Status Enable Register gesetzt wurden, bewirken, dass das ESB-Bit im Status Byte Register gesetzt wird.

Das Standard Event Status Register wird mit dem Befehl \*ESR? ausgelesen und gelöscht. Das Standard Event Status Enable Register wird mit dem Befehl \*ESE <nrf> gesetzt und mit dem Befehl \*ESE? ausgelesen.

- Bit 7 - Power On (Einschalten). Wird gesetzt, wenn das Gerät zum ersten Mal eingeschaltet wird.
- Bit 6 - Nicht belegt.
- Bit 5 - Command Error (Befehlsfehler). Wird gesetzt, wenn ein Syntaxfehler in einem Befehl vom Bus festgestellt wird. Der Parser wird rückgestellt und die Verarbeitung beginnt mit dem nächsten Byte des Eingabedatenstroms
- Bit 4 - Execution Error (Ausführungsfehler). Wird gesetzt, wenn ein Fehler bei der Ausführung eines vollständig interpretierten Befehls auftritt. Die entsprechende Fehlernummer wird im Execution Error Register aufgezeichnet.
  - 1- 99 Zeigt das Auftreten eines Hardwarefehlers an.
  - 116 Der Abruf eingerichteter Daten wurde angefordert, doch enthält der angegebene Speicher keine Daten.
  - 117 Der Abruf eingerichteter Daten wurde angefordert, doch sind die Daten im angegebenen Speicher korrupt. Damit wird entweder ein Hardwarefehler oder eine vorübergehende Datenkorruption angezeigt, die durch erneutes Schreiben von Daten in den Speicher korrigiert werden kann.
  - 120 Der mit dem Befehl geschickte numerische Wert war zu groß oder zu klein. Gilt auch für negative Zahlen, wenn nur positive Zahlen gültig sind.



- 
- 123 Abruf/Speicherung der Setup-Daten von einer unzulässigen Speichernummer aus.
  - 124 Es wurde ein Bereichswechsel angefordert, der jedoch im Rahmen der aktuellen Einstellungen des Netzgeräts unzulässig ist – weitere Informationen hierzu siehe Abschnitt „Manuelle Bedienung“.
  - 200 Read Only: (Schreibgeschützt) Es wurde versucht, die Geräteeinstellungen von einer Schnittstelle ohne Schreibrechte aus zu ändern (siehe Kapitel „Sperrungen der Schnittstellen“).
- Bit 3 - „Verify Timeout“ Fehler. Wird gesetzt, wenn ein Parameter verifiziert werden soll, der jeweilige Wert aber nicht innerhalb von 5 Sekunden erreicht ist (z.B. wenn die Ausgangsspannung durch einen großen Kondensator am Ausgang verzögert wurde).
  - Bit 2 - Query Error (Abfragefehler). Wird gesetzt, wenn ein Abfragefehler auftritt. Die entsprechende Fehlernummer wird im Query Error Register wie folgt aufgezeichnet.
    1. Interrupted Error (Unterbrechungsfehler)
    2. Deadlock Error (Blockierungsfehler)
    3. Unterminated Error („Nicht abgeschlossen“-Fehler)
  - Bit 1 - Nicht belegt.
  - Bit 0 - Operation Complete (Vorgang abgeschlossen). Wird als Antwort auf den \*OPC-Befehl gesetzt.

### Limit Event Status Register und Limit Event Status Enable Register

Diese beiden Register sind ergänzend zur Norm IEEE 488.2 vorhanden. Jedes Paar besteht aus einem Limit Event Status Register und einem zugehörigen Limit Status Event Enable Register. Limit Event Status Register 1 (LSR1) und Limit Event Status Enable Register 1 (LSE1) gelten für Ausgang 1. Limit Event Status Register 2 (LSR2) und Limit Event Status Enable Register 2 (LSE2) gelten für Ausgang 2 und für den Nebenausgang. Sie dienen dazu den steuernden Rechner über die aktuellen Strom- und Spannungs-begrenzungs-bedingungen zu informieren und die Historie der Schutzauslösebedingungen seit dem letzten Lesevorgang zu erfassen.

Bits, die im Limit Event Status Register gesetzt werden und Bits entsprechen, die im Limit Event Status Enable Register gesetzt wurden, bewirken, dass das LIM1 oder LIM2 Bit im Status Byte Register gesetzt wird.

Die Limit Event Status Register 1 und 2 werden mit den Befehlen LSR1? und LSR2? gelesen und gelöscht. Die Limit Event Status Enable Register 1 und 2 werden mit den Befehlen LSE1<nrf> und LSE2<nrf> gesetzt und mit den Befehlen LSE1? und LSE2? gelesen.

#### Limit Event Status Register 1

- Bit 7 - nicht belegt
- Bit 6 - nicht belegt
- Bit 5 - Wird gesetzt, wenn ein Auslöser im Sense-Betrieb aufgetreten ist (Ausgang 1)
- Bit 4 - Wird gesetzt, wenn der Übertemperaturschutz ausgelöst worden ist (Ausgang 1)
- Bit 3 - Wird gesetzt, wenn der Überstromschutz ausgelöst worden ist (Ausgang 1)
- Bit 2 - Wird gesetzt, wenn der Überspannungsschutz ausgelöst worden ist (Ausgang 1)
- Bit 1 - Wird gesetzt, wenn der Strombegrenzungswert erreicht ist (Konstantstrombetrieb) (Ausgang 1)
- Bit 0 - Wird gesetzt, wenn der Spannungsbegrenzungswert erreicht ist (Konstantspannungsbetrieb) (Ausgang 1)

#### Limit Event Status Register 2

- Bit 7 - Wird gesetzt, wenn eine Abschaltung des AUX Ausgangs ausgelöst wurde.
  - Bit 6 - Wird gesetzt, wenn der Nebenausgang den Strombegrenzungswert erreicht
  - Bit 5 - Wird gesetzt, wenn ein Auslöser im Sense-Betrieb aufgetreten ist (Ausgang 2)
  - Bit 4 - Wird gesetzt, wenn der Übertemperaturschutz ausgelöst worden ist (Ausgang 2)
-

- 
- Bit 3 - Wird gesetzt, wenn der Überstromschutz ausgelöst worden ist (Ausgang 2)
  - Bit 2 - Wird gesetzt wenn der Überspannungsschutz ausgelöst worden ist (Ausgang 2)
  - Bit 1 - Wird gesetzt, wenn der Strombegrenzungswert erreicht ist (Konstantstrombetrieb) (Ausgang 2)
  - Bit 0 - Wird gesetzt, wenn der Spannungsbegrenzungswert erreicht ist (Konstantspannungsbetrieb) (Ausgang 2)

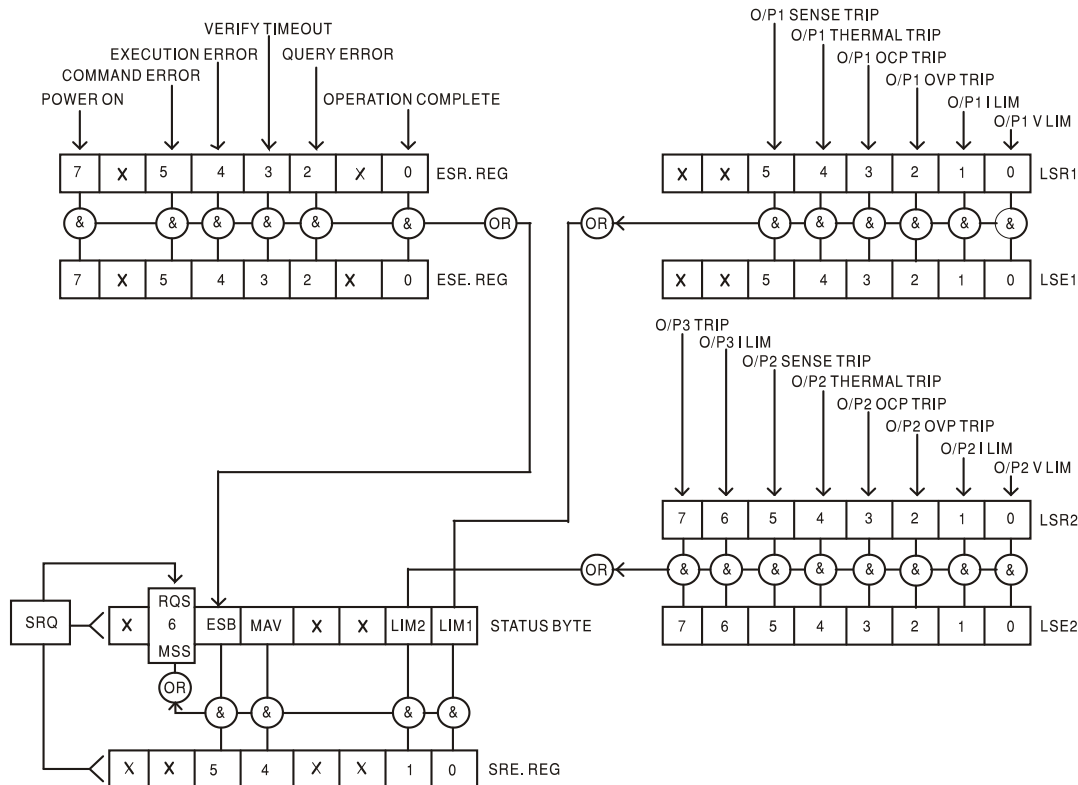
### **Status Byte Register und Service Request Enable Register**

Diese beiden Register sind gemäß der Norm IEEE 488.2 ausgeführt. 488.2.

Bits, die im Status Byte Register gesetzt wurden und den Bits entsprechen, die im Service Request Enable Register gesetzt wurden, bewirken, dass das RQS/MSS-Bit im Status Byte Register gesetzt wird, wodurch ein Service Request auf dem Bus generiert wird.

Das Status Byte Register wird entweder mittels dem \*STB?-Befehl abgefragt, der MSS in Bit 6 zurücksendet, oder aber mittels eines Serial Poll (Serienabfrage), der RQS in Bit 6 zurücksendet. Das Service Request Enable Register wird mit dem Befehl \*SRE <nrf> gesetzt und mit dem Befehl \*SRE? gelesen.

- Bit 7 - Nicht belegt.
- Bit 6 - RQS/MSS. Dieses durch IEEE Std. 488.2 definierte Bit enthält sowohl die Requesting Service Nachricht als auch die Master Status Summary Nachricht. Als Antwort auf ein Serial Poll (Serienabfrage) wird RQS und als Antwort auf den Befehl \*STB? wird MSS zurückgesendet.
- Bit 5 - ESB. Das Event Status Bit (Ereignis-Statusbit). Dieses Bit wird gesetzt, wenn sich gesetzte Bits im Standard Event Status Register auf gesetzte Bits im Standard Event Status Enable Register beziehen.
- Bit 4 - MAV. Das Message Available Bit (Meldung vorhanden). Dieses Bit wird gesetzt, wenn das Gerät eine fertig formatierte Antwort zum Versenden an den Controller bereithält. Das Bit wird zurückgesetzt, nachdem der Response Message Terminator gesendet wurde.
- Bit 3 - Nicht belegt.
- Bit 2 - Nicht belegt.
- Bit 1 - LIM2. Wird gesetzt, wenn im Limit Event Status Register 2 Bits gesetzt sind, die im Limit Event Status Enable Register 2 entsprechend ebenfalls gesetzt wurden.
- Bit 0 - LIM1. Wird gesetzt, wenn im Limit Event Status Register 1 Bits gesetzt sind, die im Limit Event Status Enable Register 1 entsprechend ebenfalls gesetzt wurden.



### Status Model

(Für Modelle mit nur einem Ausgang sind LSR2, LSE2 & LIM2 zu ignorieren)

### Starteinstellung nach dem Einschalten

Beim Einschalten des Gerätes werden folgende Statuswerte gesetzt:

Status Byte Register	= 0
Service Request Enable Register †	= 0
Standard Event Status Register	= 128 (nach Setzen des Bits)
Standard Event Status Enable Register †	= 0
Execution Error Register	= 0
Query Error Register	= 0
Parallel Poll Enable Register †	= 0

† Die mit diesem Zeichen versehenen Register beziehen sich speziell auf den GPIB-Teil des Gerätes und sind nur bedingt für andere Schnittstellen nutzbar.

Das Gerät befindet sich im lokalen Betriebsmodus mit aktivierter Tastatur.

Die Geräteparameter beim Einschalten sind dieselben, wie beim letzten Ausschalten des Geräts, mit Ausnahme des Ausgangsstatus. Standardmäßig ist dieser beim Einschalten des Geräts immer ausgeschaltet, kann aber vom Benutzer so eingerichtet werden, dass er den gleichen Status wie beim letzten Ausschalten des Geräts annimmt.

Der Befehl \*RST (Reset) setzt das Gerät auf die Standardeinstellungen für den ferngesteuerten Betrieb zurück.

Dies bezieht sich auf folgende Einstellungen:

$V_{out}=1\text{ V}$ ,  $I_{out}=1\text{ A}$ ,  $\Delta V=0\text{ mV}$ ,  $\Delta I=0\text{ mA}$  für alle Modelle.

OVP = 40 V & OCP = 5,5 A für XDL 35-5 Modelle; OVP = 60 V & OCP = 4,4 A für XDL 56-4 Modelle.

Die Einstellungen für Fernschnittstelle und Ausgangsstatus beim Einschalten bleiben durch \*RST unverändert.

Remote-Sense ist auf lokalen Betrieb gesetzt.

## RS232/USB Fernsteuerungsformat

Der serielle Eingang des Gerätes wird über eine 256 Byte große Warteschlange gepuffert. Dies erfolgt unter Verwendung eines Interrupts, quasi im Hintergrund und unabhängig zu allen anderen Gerätefunktionen. Befinden sich etwa 200 Zeichen in der Warteschlange, so sendet das Gerät ein XOFF. XON wird gesendet, wenn wieder 100 Bytes in der Warteschlange frei geworden sind. Diese Schlange enthält die „Rohdaten“ (syntaktisch noch nicht analysiert), die der Parser nach Bedarf übernimmt. Befehle (und Abfragen) werden der Reihe nach ausgeführt, und der Parser startet einen neuen Befehl erst, wenn der vorherige Befehl bzw. die vorherige Abfrage vollständig abgeschlossen ist. Im nicht adressierbaren RS232-Betrieb werden Antworten auf Befehle oder Abfragen sofort gesendet. Es gibt keine Ausgabeschlange.

Der USB-Eingang entspricht USB 2.0 Full Speed.

Befehle müssen in der Form gesendet werden, die in der Befehlsliste festgelegt ist, und immer mit dem Befehlsabschlusscode 0AH (Line Feed, LF) enden. Befehle können in Gruppen gesendet werden, wenn die einzelnen Befehle durch den Code 3BH (;) von einander getrennt sind. Die Gruppe muss mit dem Befehlsabschlusscode 0AH (Line Feed, LF) enden.

Antworten vom Gerät an den Controller werden in der Form gesendet, die in der Befehlsliste festgelegt ist. Jede Antwort muss mit dem Code 0DH (Carriage Return, CR) enden, gefolgt von 0AH (Line Feed, LF).

<WHITE SPACE> ist mit den Zeichencodes 00H bis einschließlich 20H definiert.

<WHITE SPACE> wird ignoriert, außer bei Befehlsunterscheidung, d. h. „\*C LS“ ist nicht gleich „\*CLS“.

Bei allen Zeichen wird das höchste Bit ignoriert.

Die Befehle unterscheiden nicht zwischen Groß-/Kleinschreibung.

## GPIB Fernbedienungsformate

Die GPIB Eingang des Gerätes wird über eine 256 Byte große Warteschlange gepuffert. Dies erfolgt unter Verwendung eines Interrupts, quasi im Hintergrund und unabhängig zu allen anderen übrigen Gerätefunktionen. Diese Warteschlange enthält die rohen, d. h. noch nicht mittels des Parsers bearbeiteten Daten. Befehle (und Abfragen) werden der Reihe nach ausgeführt, und der Parser startet einen neuen Befehl erst, wenn der vorherige Befehl bzw. die vorherige Abfrage vollständig abgeschlossen ist. Eine Sende-Warteschlange gibt es nicht, dies bedeutet, dass der Antwort-Formatierer, falls erforderlich unbegrenzt lange wartet. Erst dann setzt der Parser mit der Abarbeitung des nächsten Befehls aus der Eingabe-Warteschlange fort.

Befehle werden vom Steuergerät als <PROGRAM MESSAGES> gesendet, wobei jede Meldung aus null oder mehr <PROGRAM MESSAGE UNIT> -Elementen besteht, die durch <PROGRAM MESSAGE UNIT SEPARATOR> -Elemente voneinander getrennt sind.

Ein <PROGRAM MESSAGE UNIT> ist jeder Befehl in der Fernbedienungs-Befehlsliste.

Ein <PROGRAM MESSAGE UNIT SEPARATOR> ist das Semikolon „;“ (3BH).

<PROGRAM MESSAGES> werden von <PROGRAM MESSAGE TERMINATOR>-Elementen voneinander getrennt, die folgende Form haben können:

NL	Das Zeichen New Line (0AH), d.h. neue Zeile
NL^END	Das Zeichen New Line mit der END-Meldung.
^END	Die END-Meldung mit dem letzten Zeichen der Meldung.

Antworten vom Gerät an das Steuergerät werden als <RESPONSE MESSAGES> gesendet. Eine <RESPONSE MESSAGE> besteht aus einer <RESPONSE MESSAGE UNIT> mit anschließendem <RESPONSE MESSAGE TERMINATOR>.

---

Das Zeichen New Line mit der END-Meldung NL^END ist ein <RESPONSE MESSAGE TERMINATOR>. Jede Abfrage führt zu einer bestimmten <RESPONSE MESSAGE>. Diese Meldungen sind zusammen mit den Abfragebefehlen in der Liste der Fernsteuerbefehle aufgeführt.

<WHITE SPACE> wird ignoriert, außer bei Befehlsunterscheidung, d. h. „\*C LS“ ist nicht gleich „\*CLS“. WHITE SPACE> ist mit den Zeichencodes 00H bis einschließlich 20H definiert, mit Ausnahme des Codes für „neue Zeile“ (0AH).

Bei allen Zeichen wird das höchste Bit ignoriert.

Die Befehle unterscheiden nicht zwischen Groß-/Kleinschreibung.

## Befehlsliste

In diesem Abschnitt sind alle Befehle und Abfragen für dieses Gerät aufgeführt. Die Befehle sind in alphabetischer Reihenfolge innerhalb der Funktionsgruppen angeordnet.

Beachten Sie, dass es keine abhängigen Parameter, gekoppelten Parameter, überlappenden Befehle, „Ausdrucksprogramm-Datenelemente“ oder zusammengesetzte Befehlsprogrammköpfe gibt und dass jeder Befehl vollständig abgearbeitet ist, bevor der nächste Befehl gestartet wird. Alle Befehle sind sequentiell, und die „Vorgang abgeschlossen“-Nachricht wird in allen Fällen sofort nach der Ausführung generiert.

Folgende Nomenklatur wird verwendet:

- |       |  |
|-------|--|
| <rmt> | <RESPONSE MESSAGE TERMINATOR> (Antwortabschluss)   |
| <nrf> | Sämtliche Formate einer Zahl werden akzeptiert, wie z.B. 12, 12,00, 1,2 e1 und 120 e-1 für 12. Jede Zahl wird nach ihrem Empfang je nach erforderlicher Genauigkeit konvertiert, die ihrer Verwendung entspricht und dann aufgerundet, um den Wert des Befehls zu erhalten.  |
| <nr1> | Zahl ohne Dezimalstelle, d.h. Ganzzahl (Integer)   |
| <nr2> | Eine Zahl mit Festkomma, z.B. 11,52; 0,78 usw.   |
| <n>   | Die Nummer des Ausgangs oder Statusregisters, auf die sich der Befehl bezieht. Beachten Sie, dass bei Geräten mit nur einem Ausgang immer <n>=1 gilt. <n>= 3 bezieht sich auf den Nebenausgang AUX. Der AUX-Ausgang verfügt über eingeschränkte Fernbedienungsfunktionalität. Aus Gründen der Übersichtlichkeit wird auf die Befehle, bei denen <n>= 3 möglich ist, ausdrücklich hingewiesen. Bei anderen Befehlen kann nur <n>= 1 oder <n>= 2 verwendet werden. |

Befehle, die mit \* beginnen, sind die in der Norm IEEE 488.2 als Common Commands (allgemeine Befehle) aufgeführten Befehle. Sie funktionieren alle mit den anderen Schnittstellen, sind jedoch zum Teil nur von geringem Nutzen.

## Gerätespezifische Befehle

Bei Befehlen, die verifiziert werden sollen ('WITH VERIFY'), ist die Operation erst dann abgeschlossen, wenn der einzustellende Parameter den erforderlichen Wert innerhalb von +/-5 % oder +/-10 Zählschritten erreicht hat (je nachdem, welcher Wert größer ist). Werden diese Grenzwerte nicht innerhalb von 5 Sekunden erreicht, so wird das „Verify Timeout“ Bit (Bit 3) im Standard Event Status Register gesetzt und die Operation gilt nach Ablauf dieses „Timeouts“ als abgeschlossen.

Das „Operation Complete Bit“ (Bit 0) im Standard Event Status Register wird ausschließlich mit dem OPC Befehl gesetzt. Der Befehl \*OPC (oder \*OPC?) kann zur Synchronisation der angeschlossenen Geräte verwendet werden.

Befindet sich das Gerät im Link-Modus, gelten alle Befehle, die sich auf Werte und Bereiche beziehen für Ausgang 1 und 2 gleichzeitig, unabhängig davon ob <n> auf 1 oder 2 gesetzt ist. Bei Befehlen die verifiziert werden sollen, erfolgt die Verifizierung beider Ausgänge bevor der Befehl ausgeführt wird. Die Befehle SAV<n> und RCL<n> gelten für den reservierten Permanentenspeicher, der für den Link-Modus reserviert ist, so dass es gleichgültig ist ob <n> auf 1 oder 2 gesetzt wird. Beachten Sie jedoch, dass <n> zum Befehl gehört und weiterhin angegeben werden muss.

V<n> <nrf>	Ausgangsspannung auf <n> bis <nrf> Volt setzen Für AUX-Ausgang <n>=3
V<n>V <nrf>	Ausgangsspannung auf <n> bis <nrf> Volt setzen, mit Verifizierung. Für AUX-Ausgang <n>=3
OVP<n> <nrf>	Auslösepunkt des Ausgangs <n> für den Überspannungsschutz auf <nrf> Volt setzen
I<n> <nrf>	Strombegrenzung des Ausgangs <n> auf <nrf> Ampere setzen
OCP<n> <nrf>	Auslösepunkt des Ausgangs <n> für den Überstromschutz auf <nrf> Ampere setzen
V<n>?	Eingestellte Spannung des Ausgangs <n> rückmelden. Für AUX Ausgang <n>=3 – Antwort ist V <n> <nr2><rmt> mit <nr2> in Volt
I<n>?	Eingestellte Strombegrenzung des Ausgangs <n> rückmelden – Antwort ist I <n> <nr2><rmt> mit <nr2> in Ampere
OVP<n>?	Überspannungseinstellung für Ausgang <n> rückmelden – Antwort ist VP<n> <nr2><rmt> mit <nr2> in Volt
OCP<n>?	Überstromeinstellung für Ausgang <n> rückmelden – Antwort ist IP<n> <nr2><rmt> mit <nr2> in Ampere
V<n>O?	Erfasste Ausgangsspannung des Ausgangs <n> rückmelden. Für AUX Ausgang <n>=3 – Antwort ist V <n> <nr2><rmt> mit <nr2> in Volt
I<n>O?	Erfassten Ausgangsstrom des Ausgangs <n> rückmelden. Für AUX Ausgang <n>=3 – Antwort ist <nr2>A<rmt> mit <nr2> in Ampere
RANGE<n> <nrf>	Spannungsbereich des Ausgangs <n> auf <nrf> setzen, wobei <nrf> folgende Bedeutung hat: <b>XDL 35-5 Modelle:</b> 0=15 V(5 A), 1=35 V(3 A), 2=35 V(500 mA) <b>XDL 56-4 Modelle:</b> 0=25 V(4 A), 1=56 V(2 A), 2=56 V(500 mA)
RANGE<n>?	Eingestellten Spannungsbereich für Ausgang <n> rückmelden – Antwort ist R<n> <nr1><rmt> wobei <nr1> folgende Bedeutung hat: <b>XDL 35-5 Modelle:</b> 0=15 V(5 A), 1=35 V(3 A), 2=35 V(500 mA) <b>XDL 56-4 Modelle:</b> 0=25 V(4 A), 1=56 V(2 A), 2=56 V(500 mA)
DELTA V<n> <nrf>	Schrittgröße der Ausgangsspannung für Ausgang <n> auf <nrf> Volt setzen. Für AUX-Ausgang <n>=3
DELTA I<n> <nrf>	Schrittgröße des Ausgangsstroms für Ausgang <n> auf <nrf> Ampere setzen
DELTA V<n>?	Schrittgröße der Ausgangsspannung für Ausgang <n> Für AUX Ausgang <n>=3 – Antwort ist DELTA V<n> <nr2><rmt> mit <nr2> in Volt.
DELTA I<n>?	Schrittgröße des Ausgangsstroms für Ausgang <n> rückmelden – Antwort ist DELTA I<n> <nr2><rmt> mit <nr2> in Ampere.
INCV<n>	Ausgangsspannung für Ausgang <n> um die Schrittgröße für Ausgang <n> erhöhen. Für AUX-Ausgang <n>=3
INCV<n>V	Ausgangsspannung für Ausgang <n> um die Schrittgröße für Ausgang <n> erhöhen (mit Verifizierung). Für AUX-Ausgang <n>=3
DECV<n>	Ausgangsspannung für Ausgang <n> um die Schrittgröße für Ausgang <n> senken. Für AUX-Ausgang <n>=3

---

DECV<n>V	Ausgangsspannung für Ausgang <n> um die Schrittgröße für Ausgang <n> senken (mit Verifizierung). Für AUX-Ausgang <n>=3
INCI<n>	Strombegrenzung für Ausgang <n> um die Schrittgröße für Ausgang <n> erhöhen
DECI<n>	Strombegrenzung für Ausgang <n> um die Schrittgröße für Ausgang <n> senken.
OP<n> <nrf>	Ausgang <n> auf Ein/Aus stellen, wobei <nrf> folgende Bedeutung hat: 0=ON, 1=OFF Für AUX-Ausgang <n>=3
OP<n>?	Rückmeldung des Ein/Aus-Status für Ausgang <n>. Für AUX-Ausgang <n>=3 Antwort ist <nr1><rmt> wobei 1 = ON, 0 = OFF.
OPALL <nrf>	Alle Ausgänge gleichzeitig auf Ein/Aus stellen wobei <nrf> folgende Bedeutung hat: 0=Alle OFF, 1=Alle ON. Wenn mit OPALL alle Ausgänge auf ON geschaltet werden, bleiben alle bereits eingeschalteten Ausgänge weiterhin ON Wenn mit OPALL alle Ausgänge auf OFF geschaltet werden, bleiben alle bereits ausgeschalteten Ausgänge weiterhin OFF
SENSE<n> <nrf>	Sense-Betrieb für Ausgang <n> festlegen, wobei <nrf> folgende Bedeutung hat: 0=lokale Abnahme, 1=Fernabnahme
MODE <nrf>	Betriebsart des Geräts auf LINK einstellen, oder die Steuerung auf Ausgang 1 bzw. 2 legen, wobei <nrf> folgende Bedeutung hat: 0 = synchron, 1 = Steuerung Ausgang 1, 2 = Steuerung Ausgang 2. Im Link-Modus ändert sich die Reaktion des Geräts auf bestimmte Fernbedienungsbeefehle. Befehle zum Einrichten von Bereich, Spannung, Strombegrenzung, OVP oder OCP, die entweder an Ausgang 1 oder Ausgang 2 gesendet wurden, führen zu einer simultanen Einstellungsänderung beider Ausgänge. Ebenso führen Befehle zum Erhöhen/Erniedrigen, die an einen der Hauptausgänge gesendet wurden, zu einer Änderung von V oder I beider Ausgänge. Lediglich die Schrittgröße entspricht den individuellen Einstellungen des Ausganges. Bei Umschaltung der Steuerung auf Ausgang 1 oder 2 wird der Link-Modus verlassen. Weitere Auswirkungen ergeben sich erst, wenn sich das Gerät wieder im Lokalbetrieb befindet. Jede im Fernbedienungsbetrieb eingestellte Betriebsart wird auch bei Rückkehr auf den Lokalbetrieb beibehalten.
MODE?	Aktuelle Betriebsart rückmelden – Antwort ist LINKED oder CTRL<n> (Steuerung des Ausganges <n>)
TRIPRST	Versuche alle Auslösebedingungen zu löschen
LOCAL	Lokaler Betrieb.
IFLOCK	Schnittstellensperre anfordern. Dieser Befehl fordert die alleinige Zugangssteuerung für das Gerät an. Die Antwort ist 1 falls erfolgreich, oder –1 wenn die Sperre nicht verfügbar ist, weil sie entweder bereits verwendet wird oder weil der Benutzer die Steuerungsmöglichkeit dieser Schnittstelle über die Webseite deaktiviert hat.
IFLOCK?	Statusanfrage für die Schnittstellensperre. Die Antwort ist 1 wenn die fragende Schnittstelle bereits gesperrt ist, 0 falls keine Sperre aktiv ist oder –1 wenn die Sperre nicht verfügbar ist, weil sie entweder bereits verwendet wird oder weil der Benutzer die Steuerungsmöglichkeit dieser Schnittstelle über die Webseite deaktiviert hat.

---

---

IFUNLOCK	Falls möglich, Sperre freigeben. Bei Erfolg meldet dieser Befehl den Wert 0 zurück. Falls nicht erfolgreich, wird der Wert –1 rückgemeldet, 200 im Execution Register übertragen und Bit 4 des Event Status Register gesetzt, um anzuzeigen, dass keine Berechtigung zur Sperrenfreigabe besteht.
LSR<n>?	Limit Status Register LSR<n> abfragen und löschen – Antwort ist <nr1><rmt>
LSE<n> <nrf>	Wert des Limit Status Enable Registers LSE<n> auf <nrf> setzen
LSE<n>?	Wert des Limit Status Enable Registers LSE<n> rückmelden – Antwort ist <nr1><rmt>
SAV<n> <nrf>	Die aktuelle Einstellung von Ausgang <n> mit der durch <nrf> angegebenen Speicher-Nr. speichern, wobei <nrf> die Werte 0-49 für die Hauptausgänge und 0-9 für die AUX-Ausgänge auf TP Modellen annehmen kann. Für AUX-Ausgang <n>=3.  Befindet sich das Gerät im Link-Modus, wird die gesamte Einstellung des Geräts (mit Ausnahme des Nebenausgangs) im mit <nrf> bestimmten Speicher für den Link-Modus abgelegt. Der Parameter <n> wird ignoriert. Dies hat keine Auswirkung auf die individuell gespeicherten PSU<n> Werte, die in den anderen Betriebsarten gültig sind.
RCL<n> <nrf>	Die aktuelle Einstellung von Ausgang <n> mit der durch <nrf> angegebenen Speicher-Nr. speichern, wobei <nrf> die Werte 0-49 für die Hauptausgänge und 0-9 für die AUX-Ausgänge auf TP Modellen annehmen kann. Für AUX-Ausgang <n>=3.  Befindet sich das Gerät im Link-Modus, wird die gesamte Einstellung des Geräts (mit Ausnahme des Nebenausgangs) aus dem mit <nrf> bestimmten Speicher für den LINK-Modus aufgerufen. Der Parameter <n> wird ignoriert.

## System- und Statusbefehle

*RST	Stellt das Gerät auf die Standardvorgabe-Einstellungen zurück – (siehe Abschnitt Werkseinstellungen) mit Ausnahme der Einstellungen zur Fernbedienung der Schnittstellen.
EER?	Abfragen und Löschen des Execution Error Registers. Das Antwortformat hat die Form nr1<rmt>.
QER?	Abfragen und Löschen des Query Error Registers. Das Antwortformat hat die Form nr1<rmt>
*CLS	Status löschen. Hiermit werden die Register Standard Event Status, Query Error und Execution Error gelöscht. Auf diese Weise wird das Status Byte Register indirekt gelöscht.
*ESE <nrf>	Standard Event Status Enable Register auf den Wert von <nrf> setzen.
*ESE?	Sendet den Wert im Standard Event Status Enable Register im numerischen Format <nr1> zurück. Die Syntax der Antwort lautet <nr1><rmt>.
*ESR?	Gibt den Wert im Standard Event Status Register im numerischen Format <nr1> aus. Anschließend wird das Register gelöscht. Die Syntax der Antwort lautet <nr1><rmt>.
*IST?	Gibt die Lokalmeldung „ <b>ist</b> “ laut Definition der Norm IEEE 488.2 aus. 488.2. Die Syntax der Antwort lautet 0<rmt>, wenn die Lokal-Meldung ‚falsch‘ ist, bzw. 1<rmt>, wenn die Lokal-Meldung ‚wahr‘ ist.



---

*OPC	Setzt das "Operation Complete" (Vorgang abgeschlossen)-Bit (Bit 0) im Standard Event Status Register. Aufgrund des sequentiellen Ablaufs aller Vorgänge geschieht dies unmittelbar nach Ausführung des Befehls.
*OPC?	Query Operation Complete Status (Abfrage des Status „Vorgang abgeschlossen“). Die Syntax der Antwort lautet 1<rmt>. Die Syntax der Antwort lautet 1<rmt>. Aufgrund des sequentiellen Ablaufs aller Vorgänge steht die Antwort unmittelbar nach Ausführung des Befehls zur Verfügung.
*PRE <nrf>	Parallel Poll Enable Register auf den Wert von <nrf> setzen.
*PRE?	Gibt den Wert im Parallel Poll Enable Register im numerischen Format <nr1> aus. Die Syntax der Antwort lautet <nr1><rmt>.
*SRE <nrf>	Service Request Enable Register auf <nrf> setzen.
*SRE?	Gibt den Wert im Service Request Enable Register im numerischen Format <nr1> aus. Die Syntax der Antwort lautet <nr1><rmt>.
*STB?	Gibt den Wert im Status Byte Register im numerischen Format <nr1> aus. Die Syntax der Antwort lautet <nr1><rmt>.
*WAI	Abwarten bis „Operation Complete“ (Vorgang abgeschlossen) ‚wahr‘ ist. Da alle Befehle erst vollständig abgearbeitet werden, bevor der nächste gestartet wird, braucht es zu diesem Befehl keine weiteren Maßnahmen.

## Sonstige Befehle

*IDN?	Gibt die Identifikation des Geräts aus. Die genaue Antwort richtet sich nach der Gerätekonfiguration und hat die Form <NAME>,<Modell>, 0, <Version><rmt>, wobei für <NAME> der Herstellername erscheint, für <Modell> der Gerätetyp und für <Version> die installierte Softwareversion.
ADDRESS?	Ausgabe der Busadresse des Geräts. Die Syntax der Antwort ist <nr1><rmt>.
*TST?	Das Netzgerät besitzt keine Eigentesteinrichtung, weshalb die Antwort stets 0 <rmt> lautet.
*TRG	Das Netzgerät hat keine Fähigkeit zur Auslösung.

## Fehlermeldungen

Jede Fehlermeldung hat eine Nummer - nur diese Nummer wird über die Fernbedienungs-Schnittstellen ausgegeben. Fehlermeldungsnummern werden nicht angezeigt, sondern im Execution Error Register (Ausführungsfehlerregister) gespeichert, wo sie über die Fernschnittstellen gelesen werden können (siehe Kapitel „Statusberichterstattung“).

---

# Wartung

Die Hersteller bzw. ihre ausländischen Vertretungen bieten einen Reparaturdienst für fehlerhafte Geräte an. Falls Anwender Wartungsarbeiten selbst durchführen möchten, sollten sie nur geschultes Personal damit beauftragen. Für diese Arbeiten sollte das Servicehandbuch zu Hilfe genommen werden, das direkt beim Hersteller der Geräte oder dessen Vertretungen bezogen werden kann.

## Reinigung

Verwenden Sie zur Reinigung des Geräts ein mit Wasser oder einem milden Reinigungsmittel angefeuchtetes Tuch.

**ACHTUNG! ZUR VERMEIDUNG VON STROMSCHLÄGEN BZW. BESCHÄDIGUNGEN DES GERÄTS DARF KEIN WASSER IN DAS GEHÄUSE GELANGEN. DAS GERÄT NICHT MIT LÖSUNGSMITTELN REINIGEN, UM SCHÄDEN AM GEHÄUSE ZU VERMEIDEN.**

Questo alimentatore appartiene alla Categoria di Sicurezza 1 secondo la classifica IEC ed è stato progettato in modo da soddisfare i criteri EN61010-1 (requisiti di Sicurezza per Apparecchiature di misura, controllo e per uso in laboratorio). È uno strumento di Categoria II di installazione e inteso per funzionamento con un'alimentazione normale monofase.

Questo strumento ha superato le prove previste da EN61010-1 e viene fornito in uno stato di sicurezza normale. Questo manuale contiene informazioni e avvertenze che devono essere seguite per assicurarsi di un'operazione sicura e mantenere lo strumento in condizioni di sicurezza.

Questo strumento è progettato per uso all'interno e in un ambiente d'inquinamento Grado 2, entro la gamma di temperatura da 5°C a 40°C con umidità relativa (non condensante) di 20% - 80%. Può occasionalmente essere assoggettato a temperature fra +5°C e -10°C senza comprometterne la sicurezza. Non usare in presenza di condensazione.

L'uso dello strumento in maniera non conforme a quanto specificato in queste istruzioni potrebbe pregiudicare la protezione di cui è dotato. Non usare lo strumento per misurare tensioni al di sopra dei valori nominali o in condizioni ambientali al di fuori di quelle specificate.

## **ATTENZIONE! QUESTO STRUMENTO DEVE ESSERE COLLEGATO A TERRA**

Una qualsiasi interruzione sia interna che esterna del collegamento a terra lo rende pericoloso. È proibito interrompere questo collegamento deliberatamente. La protezione non deve essere negata attraverso l'uso di un cavo di prolunga privo del filo di collegamento a terra.

Quando lo strumento è alimentato, alcuni morsetti sono sotto tensione e l'apertura dei coperchi o la rimozione di parti (eccetto quei componenti accessibili senza l'uso di attrezzi) può lasciare scoperti dei morsetti sotto tensione. L'apparecchiatura deve essere staccata da tutte le sorgenti di tensione prima di aprirla per regolazioni, manutenzione o riparazioni.

I condensatori collegati all'alimentazione interna possono essere carichi anche dopo aver staccato l'alimentazione ma si scaricano in circa 10 minuti dopo aver levato la corrente.

È consigliabile evitare, per quanto possibile, qualsiasi operazione di regolazione e di riparazione dello strumento sotto tensione e, qualora fosse inevitabile, dette operazioni devono essere eseguite da una persona specializzata in materia, che sia pienamente conscia del pericolo presente.

Quando sia chiaro che lo strumento è difettoso, o che ha subito un danno meccanico, un eccesso di umidità, o corrosione a mezzo di agenti chimici, la sicurezza potrebbe essere stata compromessa e lo strumento deve essere ritirato dall'uso e rimandato indietro per le prove e le riparazioni del caso.

Assicurarsi di usare solo fusibili della portata giusta e del tipo corretto durante eventuali sostituzioni. Sono proibiti sia l'uso di fusibili improvvisati che il corto circuito deliberato dei portavalvole.

Non bagnare lo strumento quando si pulisce.

Sullo strumento e in questo manuale si fa uso dei seguenti simboli.



Terminale di Terra



alimentazione ON (accesa)



Corrente Continua



alimentazione OFF (spenta)

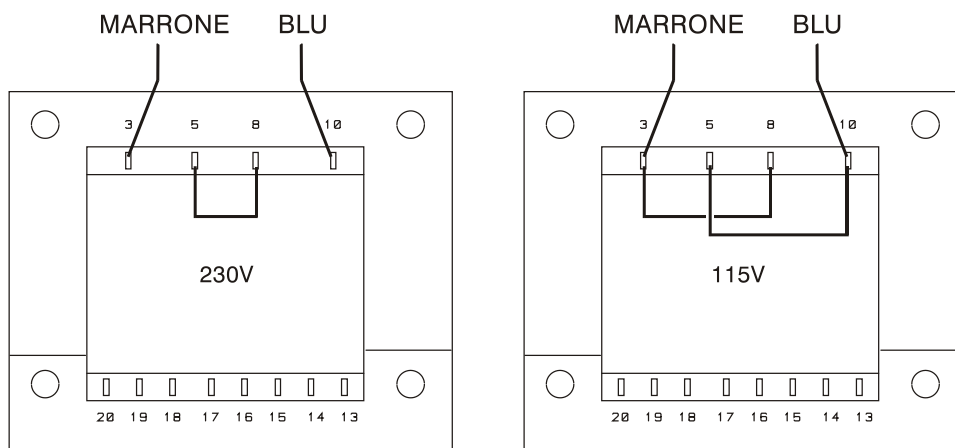


Corrente Alternata

# Installazione

Verificare che la tensione di esercizio stampigliata sul pannello posteriore corrisponda a quella erogata dalla rete di alimentazione locale. Qualora sia necessario cambiare la tensione di esercizio, osservare le seguenti istruzioni:

- 1) Staccare lo strumento da tutte le fonti di alimentazione.
- 2) Svitare le viti che fissano il coperchio superiore e togliere il coperchio.
- 3) Cambiare i collegamenti di entrambi i trasformatori osservando lo schema pertinente illustrato qui sotto:



- 4) Rimontare il coperchio e fissarlo con le viti tolte in precedenza.
- 5) Al fine di assicurare la conformità ai requisiti di sicurezza vigenti, indicare con chiarezza la nuova tensione di esercizio sostituendola alla precedente.
- 6) Sostituire tutti e tre i fusibili con altri della capacità corretta; vedi sotto.

## Fusibile

Il fusibile per c.a. si trova nel portafusibili della parte inferiore del connettore d'ingresso a norma IEC. Per sostituire il fusibile, staccare il cavo di alimentazione ed aprire il cassetto portafusibili con un utensile idoneo.

*XDL 35-5, XDL 35-5P, XDL 56-4 e XDL 56-4P*

Il tipo corretto di fusibile per la rete elettrica è 20 x 5mm 250V HBC ritardato con la seguente potenza:

per funzionamento a 230V	1,6A (T) 250V HBC
per funzionamento a 115V	3,15A (T) 250V HBC

*XDL 35-5T, XDL 35-5TP, XDL 56-4T e XDL 56-4TP*

Utilizzare un fusibile ad alto punto di fusione da 20 x 5 mm da 250 V, dalla potenza indicata qui di seguito:

per tensione di esercizio di 230 V:	2 A (T) 250 V ad alto punto di fusione
per tensione di esercizio di 115 V:	4 A (T) 250 V ad alto punto di fusione

Inoltre, ciascuno dei due trasformatori è protetto con fusibile, all'interno dell'alimentatore. Per accedere ai fusibili, rimuovere il coperchio come sopra indicato. I due fusibili sono fissati alla piccola basetta montata direttamente sui pin del connettore IEC di entrata.

Utilizzare unicamente fusibili ritardati di tipo 20 x 5 mm 250V HBC della seguente capacità:

per tensione di esercizio di 230 V:	1.6A (T) 250 V ad alto punto di fusione
per tensione di esercizio di 115 V:	3.15 A (T) 250 V ad alto punto di fusione

Utilizzare esclusivamente fusibili dall'ampereaggio e tipologia previste. È tassativamente vietato utilizzare fusibili del tipo errato e cortocircuitare i portafusibili.

---

## Cavo di alimentazione

Collegare lo strumento all'alimentazione AC utilizzando il cavo di alimentazione fornito. Qualora sia necessaria una spina di alimentazione per una presa di rete diversa, utilizzare un cavo idoneo e approvato, con spina a muro e connettore IEC60320 C13 per il collegamento con lo strumento. Per determinare la portata corretta del set di cavi per l'alimentazione AC desiderata, fare riferimento alle informazioni sull'attrezzatura e alle Specifiche.

### **AVVERTENZA! PROVVEDERE ALLA MESSA A TERRA DELLO STRUMENTO**

Qualsiasi interruzione del conduttore di terra di rete interno od esterno allo strumento rende lo strumento pericoloso. È vietata qualsiasi interruzione intenzionale.

## Montaggio

Lo strumento può essere montato su banco o su rack. Viene fornito provvisto di piedini destinati al montaggio su banco. I piedini anteriori sono dotati di un meccanismo che consente di orientare a piacimento il pannello.

Il rack destinato al montaggio degli alimentatori della serie XDL può essere acquistato direttamente dal Costruttore o dal rivenditore di fiducia. Il rack è in grado di ospitare 1, 2 o 3 alimentatori singoli od un alimentatore triplo e uno singolo; è anche possibile acquistare supporti di chiusura per le posizioni del rack non utilizzate.

## Ventilazione

Il raffreddamento dell'alimentatore viene effettuato dalla sofisticata ventola plurivelocità, che convoglia l'aria verso il retro dell'apparecchio. Evitare di ostruire le feritoie d'ingresso dell'aria sui pannelli laterali e posteriori. Nel caso di montaggio su rack, prevedere uno spazio libero sufficiente intorno allo strumento e/o utilizzare un ripiano di ventilazione per il raffreddamento forzato. Collegamenti


---

# Collegamenti

## Collegamenti al pannello frontale

Collegare i carichi ai morsetti positivo (rossi) e negativo (nero) contrassegnati dalla dicitura OUTPUT 1, OUTPUT 2 o AUX.

Gli eventuali collegamenti per i rilevatori remoti ai carichi sulle uscite si realizzano dai morsetti REMOTE SENSE positivo (+) e negativo (-) corrispondenti. L'inserimento dei rilevatori remoti si effettua dalla tastiera o dall'interfaccia di controllo remota (solo per i modelli P); quando si inserisce questa modalità di funzionamento, si accende la spia REMOTE SENSE. La disattivazione della modalità REMOTE SENSE riporta lo strumento alla modalità rilevamento locale sui morsetti di uscita.

Il morsetto contrassegnato dal simbolo  va collegato al telaio e alla messa a terra.

## Collegamenti al pannello posteriore

### Morsetti di uscita principali (solo modelli P)

I morsetti di uscita e di rilevamento sono duplicati sulla morsettiera avvitabile del pannello posteriore e sono contrassegnati dalle diciture Output +, Output -, Sense + e Sense -; questi collegamenti sono montati parallelamente a quelli sul pannello anteriore.

La selezione della modalità Remote sense viene effettuata tramite la tastiera o l'interfaccia di controllo remota. Quando si utilizzano i morsetti sul pannello posteriore, occorre selezionare sempre la modalità remote sense per mantenere sempre i valori previsti di erogazione di corrente.

### Morsetti di uscita ausiliari (solo modelli T)

I morsetti sul pannello anteriore contrassegnati AUX OUTPUT sono presenti anche sul pannello posteriore (senza viti) e sono contrassegnati con la dicitura AUXILIARY OUTPUT.

---

## Uscite di allarme

Associati a ciascuna uscita principale sono presenti connettori incassati a 2 pin contrassegnati con Alarm. Essi forniscono l'accesso a un transistor di commutazione NPN optoisolato, la cui funzione può essere impostata dalla tastiera. Vedere la sezione Uscita allarme del presente manuale.

La tensione operativa massima che può essere applicata tra i morsetti è 20 VCC e la corrente dissipata per la chiusura dello switch è di 1mA.



Non applicare tensioni esterne superiori a 30 VCC tra i morsetti.

## RS232 (solo modelli P)

Connettore a D femmina con connessioni a 9 pin come mostrato qui sotto. Può essere collegato a una porta PC standard con un cavo 1:1 maschio-femmina senza collegamenti incrociati.

Pin	Name	Description
1	RI	Testato passivamente (+V attraverso 10kΩ)
2	TXD	Transmitted data from instrument
3	RXD	Received data to instrument
4	CTS	
5	GND	Signal ground
6	RTS	Testato passivamente (+V attraverso 10kΩ)
7	DSR	Nessuna connessione interna
8	DTR	
9	CD	Nessuna connessione interna

La messa a terra del segnale è collegata alla messa a terra dello strumento.

## USB (solo modelli P)

La porta USB viene collegata alla messa a terra dello strumento. È conforme allo standard USB 2.0 (Full Speed) e accetta cavi USB standard. La funzione plug-and-play di Windows riconosce automaticamente che lo strumento è stato collegato. Se non viene trovato il driver corretto, seguire i prompt sullo schermo di Windows e installare i file richiesti dal CD fornito.

## LAN (solo modelli P)

L'interfaccia LAN è stata progettata per soddisfare i requisiti LXI (LAN eXtensions for Instrumentation) versione 1.2; lo strumento è conforme alla Classe C. Il protocollo TCP/IP Socket consente di attivare il controllo remoto tramite l'interfaccia LAN. Lo strumento contiene anche un server Web basilare che invia le informazioni all'unità, consentendone anche la configurazione. Dato che vi è il rischio di interferire con la configurazione dell'interfaccia LAN, rendendo così impossibile la comunicazione LAN con lo strumento, è presente un meccanismo per la procedura LAN Configuration Initialise (LCI, inizializza configurazione LAN) attraverso un interruttore incassato sul pannello posteriore (contrassegnato LAN RESET) per il ripristino delle impostazioni di fabbrica predefinite.

Per ulteriori particolari si rimanda al capitolo "Funzionamento remoto". Per ulteriori informazioni sugli standard LXI, fare riferimento a [www.lxistandard.org/home](http://www.lxistandard.org/home).

## GPIB (solo modelli P)

Le messe a terra del segnale GPIB sono collegate alla messa a terra dello strumento. I subset applicati sono:

SH1 AH1 T6 TE0 L4 LE0 SR1 RL1 PP1 DC1 DT1 C0 E2

L'indirizzo GPIB viene impostato dal pannello frontale.

---

# Primo utilizzo

La presente sezione riporta la descrizione generale dei comandi e del funzionamento dello strumento e deve essere letta attentamente prima di utilizzare l'alimentatore per la prima volta.

Nel presente manuale i tasti, i collegamenti e i segnalatori del display sul pannello anteriore sono indicati in lettere maiuscole, ad es. STORE, ESCAPE, OUTPUT, JOG. I messaggi visualizzati sul display a 7 caratteri sono stampati in caratteri di stampa diversi, ad es. **Store**, **GPiB**, **trip** in maiuscolo o in minuscolo per rappresentare i caratteri visualizzati sul display a 7 caratteri dello strumento.

## Pulsante di accensione, pulsante erogazione On/Off

L'interruttore di accensione si trova in fondo a sinistra sul pannello frontale.

All'accensione, vengono utilizzate automaticamente le configurazioni predefinite salvate quando si era spento lo strumento l'ultima volta, ma con tutte le uscite sempre disinserite (Off). L'utente può però cambiare le configurazioni predefinite in modo che, all'accensione di alcune uscite selezionate, venga mantenuta la condizione operativa dello strumento allo spegnimento; vedi la sezione Funzioni supplementari.

Le uscite per c.c. (DC) vengono commutate elettronicamente con i relativi tasti ON/OFF; i tasti si illuminano quando le relative uscite sono inserite (nella posizione on). *Le uscite possono anche inserite e disinserite agendo sui tasti ALLON (inserisci tutte) e ALL OFF (disinserisci tutte).*

## Inserimento/disinserimento sincronizzato delle uscite (solo modelli T)

Agendo sul tasto ALL OFF si disinseriscono in sincronia tutte le uscite inserite; in presenza del medesimo carico, le uscite si disinseriscono in genere ad un intervallo di tempo di 1 ms. Quando tutte le uscite sono disinserite (nella posizione off), si illumina di verde il tasto ALL OFF. Agendo sul tasto ALL ON quando tutte le uscite sono disinserite, tutte le uscite vengono inserite in sincronia; in presenza del medesimo carico, le uscite vengono disinserite in genere ad 1 ms d'intervallo l'una dall'altra. Qualora però una o più uscite siano già inserite, agendo sul tasto ALL ON vengono inserite tutte le altre uscite, ma dopo un intervallo di tempo che può raggiungere gli 80 ms, anche se il carico e le impostazioni delle uscite sono identici.

## Tastiera

La presente sezione descrive sommariamente i principi di funzionamento dello strumento; l'impostazione dei singoli parametri è descritta nelle sezioni successive.

La tastiera è stata progettata al fine di garantire l'esecuzione delle modifica delle impostazioni all'insegna della sicurezza ottimale (ovvero di minimizzare il rischio di erogare tensioni eccessive agli utilizzatori), pur mantenendo la semplicità di utilizzo. A tal fine, la modifica dei valori numerici impostati prevede la conferma da parte dell'utente (tramite il tasto OK), nonché la possibilità di premere ESCAPE in qualsiasi momento o di attendere che venga superato il tempo massimo a disposizione e che vengano ripristinati i valori originali.

La presenza di un cicalino, dei tasti illuminati, dei segnalatori LED e la comparsa di messaggi sullo schermo sono destinate a minimizzare la possibilità di errori di digitazione o di controllo. Gli utenti abituali che ritengono superflua l'attivazione di alcuni di questi dispositivi (ad es. i segnalatori acustici o lampeggianti) potranno disattivarli tramite la funzione di disattivazione, descritta nella sezione Funzioni supplementari.

Nei modelli a uscita tripla (T) la funzione di modifica delle configurazioni predefinite dalla tastiera o tramite i comandi Jog (funzionamento ad intermittenza) viene attribuita alle uscite Output 1, Output 2 o ad entrambe agendo sui tasti 1, 2 o LINK ◀ CONTROL ▶ rispettivamente. Il tasto (1 o 2) correlato all'uscita selezionata si illumina per indicare l'uscita interessata. Nella modalità LINK (entrambi i tasti illuminati) entrambe le uscite vengono controllate contemporaneamente, unitamente ad altre funzioni come RANGE, STORE, RECALL e V x A. Le descrizioni qui di seguito interessano una od entrambe le uscite principali, relativamente al valore indicato dall'illuminazione dei tasti ◀ CONTROL ▶.

---

Durante il funzionamento normale dell'apparecchio, il tastierino numerico viene disattivato; la pressione di uno dei tasti numerici attiva il cicalino ed emette un doppio segnale acustico per segnalare l'esecuzione di un'operazione illecita. Per impostare la tensione o la corrente con il tastierino numerico, premere il tasto V o I sotto NUMERIC SET (impostazione valori numerici); il display interessato visualizza 0-000V o 0-000A, con il valore a sinistra del punto decimale lampeggiante. I valori interi e decimali vengono digitati dopo la comparsa del prompt lampeggiante e successivamente confermati con il tasto OK. La mancata pressione del tasto OK dopo 10 secondi dalla digitazione dell'ultimo valore annulla il valore digitato e il display visualizza il valore originale. Qualora si preme ESCAPE durante la procedura di digitazione, il valore digitato viene annullato e il display visualizza il valore originale.

Il tasto OK serve per confermare la maggior parte dei valori numerici digitati. In tutte le altre occasioni, assume le funzioni del tasto VIEW V/I LIMITS (visualizza i limiti di tensione e corrente); la pressione del tasto comporta la visualizzazione per 3 secondi della tensione erogata predefinita e il valore limite della corrente: durante questo periodo di tempo, la scritta LIM lampeggia sul display.

La pressione del tasto SHIFT illumina il tasto e attiva le funzioni suindicate per i tasti numerici (ad es. STORE (memorizza), RECALL (richiama) ecc.). Quando si sceglie una funzione premendo uno di questi tasti, la funzione SHIFT viene annullata (ovvero il tasto SHIFT viene spento). I tasti da premere per eseguire la funzione prescelta sono descritti in dettaglio nelle sezioni che seguono; la mancata pressione di un tasto entro 10 secondi disattiva la funzione selezionata, come se si avesse premuto il tasto ESCAPE. SHIFT è un tasto bifunzione, ovvero quando viene premuto una seconda volta, la sua funzione viene disattivata. È anche possibile annullare la selezione del tasto SHIFT premendo ESCAPE oppure SET V o SET I. Si fa presente che, nella modalità LINK, le configurazioni predefinite richiamate tramite i tasti STORE e RECALL interessano soltanto la modalità LINK e sono disponibili oltre alle configurazioni richiamabili tramite i tasti STORE e RECALL sulle uscite selezionate singolarmente.

## **Manopola di variazione graduale**

La manopola sullo strumento consente di aumentare o diminuire gradualmente la tensione o la corrente erogata al valore impostato tramite i tasti JOG SET (impostazione variazione graduale); l'erogazione viene regolata automaticamente, ovvero non è necessario premere OK.

All'accensione, la funzione è disinserita. Per variare gradualmente il valore della tensione o della corrente, premere il tasto V o I sotto JOG SET; il tasto premuto si illumina e l'indicatore JOG sotto l'ultimo valore selezionato lampeggia. Mentre il tasto V o I sotto JOG SET è illuminato, le ulteriori pressioni del tasto V o I provocano lo spostamento dell'indicatore JOG di un valore a sinistra; quando viene raggiunto il valore massimo a disposizione, la successiva pressione del comando richiama il valore più basso. La posizione predefinita all'accensione è sotto il LSD, ovvero viene selezionata la variazione più bassa.

La rotazione della manopola in senso orario/antiorario aumenta/diminuisce il valore selezionato; i valori a sinistra di quello che si sta cambiando vengono aumentati/diminuiti automaticamente quando viene raggiunto il punto minimo/massimo della decina. I valori a destra di quello che si sta cambiando rimangono inalterati, a meno che il passo selezionato non raggiunga/superi il valore massimo/minimo della gamma, nel cui caso vengono riportato a zero. Ad esempio, nel modello XDL 35-5 33-65V diventa 34-65V, poi 35-00V per il campo di valori 35 V e un aumento graduale di 1 V; 0-160A diventa 0-060A, poi 0-001A per una riduzione graduale di 0,1 A.

I passi della variazione graduale selezionabili per l'intervallo principale sono: 1 mV, 10 mV, 100 mV e 1 mA, 10 mA, 100 mA; qualora si selezioni la gamma 500mA, i passi dell'aumento della corrente saranno: 0,1 mA, 1 mA, 10 mA.

Per disattivare la manopola di variazione graduale, premere il tasto OFF sotto JOG SET; qualora si preme di nuovo il tasto V o I sotto JOG SET, viene riattivata la funzione variazione graduale per l'ultimo valore utilizzato. La funzione variazione graduale non può essere annullata tramite i tasti numerici o le funzioni di SHIFT, ma può essere disattivata mentre la funzione SHIFT è attiva.

Nella modalità tensione costante, la parte destra del display visualizza la corrente effettivamente erogata anziché il valore max. di corrente. Qualora si selezioni I sotto JOG SET, l'indicatore JOG sotto il valore selezionato lampeggia a cadenza dimezzata (lampeggio lento). Per osservare l'effetto della variazione graduale del valore max. di corrente, è necessario disinserire

---

l'erogazione di corrente (in modo che il display visualizzi sempre il valore max. di corrente) o premere VIEW V/I LIMITS, che visualizza il valore max. di corrente per 3 secondi mentre è attiva la funzione di variazione graduale. Il lampeggio lento viene anche utilizzato quando si preme V sotto JOG SET e viene visualizzata la tensione effettivamente erogata perché l'alimentazione è passata al valore max. corrente.

L'apparecchio è impostato in modo che l'indicatore JOG sotto il valore selezionato lampeggi per l'intera durata della funzione variazione graduale al fine di segnalare costantemente all'utente il parametro che può essere aumentato/diminuito. Qualora l'utente ritenga insufficiente questo tipo di segnalazione, potrà selezionare il lampeggio del valore stesso; qualora il lampeggio venga considerato fastidioso, l'utente potrà selezionare la disattivazione dell'indicatore JOG (ad eccezione del lampeggio lento).

## Display

Il display indica la tensione sul lato sinistro (5 cifre) e la corrente sul lato destro (4 cifre) per entrambe le uscite principali. Il display a 7 segmenti serve anche per visualizzare le richieste di intervento dell'utente durante l'impostazione di alcune funzioni (ad es. delle funzioni memorizza/richiama o dell'indirizzo di controllo remoto) tramite il set di caratteri a disposizione con il display a 7 segmenti; la dimensione ridotta del display comporta l'utilizzo simultaneo di lettere maiuscole e minuscole.

Sopra e sotto il display a 7 segmenti ci sono diversi segnalatori visibili solo all'attivazione. A destra, sopra il display per la corrente, ci sono i segnalatori luminosi che visualizzano i valori max di esercizio:

35V/3A, 15V/5A o 35V/500mA; i segnalatori si accendono sotto la gamma di valori visualizzata sopra di essi e, nel caso della gamma 35 V/500 mA, il segnalatore è contrassegnato dalla dicitura mA per indicare che il display per la corrente visualizza i valori in mA. Gli altri segnalatori sotto il display sono:

CI, che segnala che lo strumento si trova nella modalità corrente costante; LIM, che lampeggia quando si preme il tasto VIEW V/I LIMITS per segnalare il limite impostato per la tensione/la corrente; REM, che si accende quando lo strumento viene gestito da un'interfaccia remota (solo modelli P) e LAN, che indica lo stato del collegamento dell'interfaccia (solo modelli P).

Sotto i tre valori meno significativi visualizzati nei display tensione e corrente ci sono i segnalatori JOG; il segnalatore interessato lampeggia quando si attiva la funzione variazione graduale; vedi la sezione Manopola di variazione graduale, qui sopra.

In alternativa, è possibile utilizzare il display dell'uscita 1 per mostrare la tensione e la corrente dell'uscita AUX (solo modelli T). Per ulteriori ragguagli, si rimanda alla lettura della sezione Uscita ausiliaria.



---

# Funzionamento in manuale

Si invitano tutti gli utenti novizi a leggere attentamente il capitolo Primo utilizzo, che descrive i principi di funzionamento della tastiera e della manopola variazione graduale. I paragrafi che seguono descrivono il funzionamento indipendente di entrambe le uscite principali (Main Output). Per selezionare l'uscita da controllare tramite la tastiera/il comando Jog, occorre prima selezionare l'uscita desiderata premendo il tasto ◀ CONTROL ▶ pertinente (1 o 2); il tasto si illumina per indicare l'uscita selezionata.

Le funzioni supplementari disponibili nei modelli a tripla uscita (T) nella modalità LINK (entrambe le uscite principali selezionate) sono descritte nella sezione Uscite principali- modalità Link, più avanti nel manuale.

## Impostazione della tensione

Il display a sinistra visualizza la tensione impostata a una risoluzione di 1 mV, ad eccezione di quando lo strumento funziona nella modalità corrente costante (CI). Nella modalità CI, appare nel display la tensione effettivamente erogata (che è inferiore a quella impostata) e la risoluzione del display è 10 mV; la cifra meno significativa (passo di 1 mV) viene sempre visualizzata con uno zero.

La tensione può essere impostata direttamente dal tastierino numerico: premere il tasto V sotto NUMERIC SET, digitare il nuovo valore tramite i tasti numerici e confermarlo premendo OK. I principi basilari di funzionamento del tastierino numerico sono descritti nel capitolo Primo utilizzo, che deve essere letto da tutti gli utenti novizi.

Quando si preme V sotto NUMERIC SET, il display visualizza 0.000; si inserisce poi una nuova tensione (ad es. 12,345 V premendo i tasti 1, 2, ., 3, 4, 5), che si conferma con il tasto OK. La posizione del punto decimale nel display è fissa, allo scopo di minimizzare la possibilità di digitare un valore errato. Di conseguenza, e per evitare la necessità di digitare gli zeri iniziali (ad es. 2,345 V si digita 2, ., 3, 4, 5, OK), i numeri a sinistra del punto decimale vengono visualizzati in modo leggermente diverso da quelli a destra del punto decimale in fase di digitazione; la differenza si noterà immediatamente durante la digitazione dei valori.

Il valore minimo d'impostazione della tensione è 0,000 V; l'impostazione massima è 35,000 V per il modello XDL 35-5 (15,000 V sulla gamma 15V/5A) (si ricorda che la virgola decimale va sostituita col punto) o 56.000V (25.000V nella gamma 25V/4A) per il modello XDL 56-4.

La pressione di OK imposta il valore di tensione digitato e le eventuali cifre rimanenti vengono impostate su zero, ad es. 1, 2, ., 3, OK imposta 12,300 V; 1, OK imposta 1,000 V; la pressione di OK subito dopo SET V (mentre il display visualizza 0,000 V) imposta 0,000 V.

La pressione di ESCAPE durante l'operazione o la mancata pressione di un tasto entro 10 secondi dalla pressione dell'ultimo tasto ripristina il valore visualizzato prima della pressione del tasto SET V.

La digitazione di un valore di tensione oltre i limiti massimi (compreso il tentativo di digitazione di 3 cifre prima del punto decimale) o il tentativo di digitare più di 5 cifre attiva due volte il cicalino e fa sì che venga ignorato l'ultimo tasto premuto.

La tensione può essere impostata anche tramite la manopola di variazione graduale. Premendo JOG SET V si illumina il tasto V e lampeggia il segnalatore JOG sotto l'ultima cifra modificata. Mentre il tasto V è illuminato, le successive pressioni dello stesso spostano il segnalatore JOG verso sinistra di una posizione per volta; quando l'aumento graduale raggiunge il valore massimo impostato, la pressione successiva del tasto visualizza sul display il valore più basso. La posizione predefinita all'accensione è sotto il LSD, ovvero la selezione dell'aumento graduale più basso. L'aumento può essere selezionato in passi di 1 mV, 10 mV e 100 mV.

Quando è attiva la funzione variazione graduale, la tensione erogata può essere aumentata o diminuita con la manopola di variazione graduale, il cui passo è indicato dalla posizione del segnalatore lampeggiante JOG. Viene immediatamente erogata il valore di tensione impostato, ovvero non è necessario premere OK. Qualora venga inserita la modalità corrente costante (indicata dal lampeggio del segnalatore CI), il display a sinistra visualizza la tensione effettiva, non la tensione impostata. Qualora si selezionino V sotto JOG SET, lampeggia a velocità ridotta il segnalatore JOG sotto la cifra selezionata (lampeggio lento). Per osservare l'effetto della

---

variazione graduale della tensione, è necessario disinserire l'erogazione di corrente (in modo che il display visualizzi sempre la tensione impostata) o premere VIEW V/I LIMITS per visualizzare la tensione impostata per 3 secondi alla fine del movimento della manopola variazione graduale.

Si noti che nella modalità corrente costante, la tensione effettiva viene misurata e visualizzata solo fino al passo di 10 mV; la cifra per il passo 1 mV è sempre zero.

Per ulteriori dettagli sulla manopola di variazione graduale, leggere il capitolo Primo utilizzo.

## **Impostazione del valore max di corrente**

Ad erogazione di corrente disinserita, il display a destra visualizza il valore max alla risoluzione di 1 mA (0,1 mA sulla gamma 500mA).

La corrente può essere impostata direttamente dal tastierino numerico: premere il tasto V sotto NUMERIC SET, digitare il nuovo valore tramite i tasti numerici e confermarlo premendo OK. I principi basilari di funzionamento del tastierino numerico sono descritti nel capitolo Primo utilizzo, che deve essere letto da tutti gli utenti novizi.

Quando si preme V sotto NUMERIC SET, il display visualizza 0-000; si inserisce poi una nuova corrente (ad es. 1,234 A premendo i tasti 1, +2, 3, 4,), che si conferma con il tasto OK. La posizione del punto decimale nel display è fissa, allo scopo di minimizzare la possibilità di digitare un valore errato. Di conseguenza, e per evitare la necessità di digitare gli zeri iniziali (ad es. 0,234 A si digita -,2, 3, 4, OK), i numeri a sinistra del punto decimale vengono visualizzati in modo leggermente diverso a quelli a destra del punto decimale in fase di digitazione; la differenza si noterà immediatamente durante la digitazione dei valori.

Il valore minimo d'impostazione della corrente è 0-001A (0-1 mA sulla gamma 500 mA); il valore max è 3-000A, 5-000A o 500-0mA (XDL 35-5) o 2-000A, 4-000A o 500-0mA (XDL 56-4), a seconda della gamma; non è cioè possibile superare il valore max per ciascuna gamma.

La pressione di OK imposta il valore di tensione digitato e le eventuali cifre rimanenti vengono impostate su zero, ad es. 1, -, 2, OK imposta 1,200 A; 1, OK imposta 1,000 A; la pressione di OK subito dopo SET V (mentre il display visualizza 0-000V) imposta 0,001 A.

La pressione di ESCAPE in qualsiasi momento durante l'operazione o la mancata pressione di un tasto entro 10 secondi dalla pressione dell'ultimo tasto ripristina il valore visualizzato prima della pressione del tasto SET V.

La digitazione di un valore di corrente oltre il valore max della gamma (compreso il tentativo di digitazione di 2 cifre prima della virgola decimale) o il tentativo di digitare più di 4 cifre attiva due volte il cicalino e fa sì che venga ignorato l'ultimo tasto premuto.

Il limite di corrente può essere impostato anche tramite la manopola di variazione graduale. Premendo JOG SET V si illumina il tasto V e lampeggia il segnalatore JOG sotto l'ultima cifra modificata. Mentre il tasto V è illuminato, le successive pressioni dello stesso spostano il segnalatore JOG verso sinistra di una posizione per volta; quando l'aumento graduale raggiunge il valore massimo impostato, la pressione successiva del tasto visualizza sul display il valore più basso. La posizione predefinita all'accensione è sotto il LSD, ovvero la selezione dell'aumento graduale più basso. L'aumento può essere selezionato in passi di 1mA, 10mA e 100 mA (0-1 mA, 1mA e 10mA sulla gamma 500mA).

Quando è attiva la funzione variazione graduale, il limite di corrente può essere aumentato o diminuito con la manopola di variazione graduale, il cui passo è indicato dalla posizione del segnalatore lampeggiante JOG. Viene immediatamente erogata il valore di tensione impostato, ovvero non è necessario premere OK. Qualora venga inserita la modalità corrente costante (indicata dal lampeggio del segnalatore CI), il display a destra visualizza la corrente effettiva, non il limite di corrente (ad eccezione della modalità corrente costante). Qualora si selezioni V sotto JOG SET, lampeggia a velocità ridotta il segnalatore JOG sotto la cifra selezionata (lampeggio lento). Per osservare l'effetto della variazione graduale del limite di corrente, è necessario disinserire l'erogazione di corrente (in modo che il display visualizzi sempre il limite di corrente) o premere VIEW V/I LIMITS per visualizzare il limite di corrente impostato per 3 secondi alla fine del movimento della manopola di variazione graduale.

## **Erogazione immediata della corrente**

Il valore max della corrente può essere impostato in modo da limitare la corrente erogata fino a 1 mA (0-1 mA sulla gamma 500mA). Tuttavia, in comune con gli alimentatori da banco di

---

precisione, viene collegato all'uscita un condensatore destinato ad assicurare la stabilità e la risposta ottimale ai transistori. Questo condensatore si carica alla tensione erogata e la cortocircuitazione dell'uscita genera un impulso di corrente durante la scarica del condensatore, che è indipendente dal valore max di corrente impostato.

### **Selezione della gamma**

Lo strumento offre tre gamme di esercizio: 35 V/3 A, 15 V/5 A e 35 V/500 mA (XDL 35-5) o 56V/2A, 25V/4A e 56V/500mA (XDL 56-4). La gamma selezionata viene indicata dal segnalatore luminoso sotto la rispettiva dicitura nel lato destro dello strumento; quando si seleziona la gamma 500mA, il segnalatore visualizza la dicitura mA per indicare che il contatore di corrente registra i valori in milliampere e non in ampere.

Per cambiare la gamma di valori, premere SHIFT, poi ◀ RANGE o RANGE ▶ ; ogni volta che si preme ◀ RANGE, viene selezionata la gamma successiva a sinistra; ogni volta che si preme RANGE ▶ viene selezionata la gamma successiva a destra; non è disponibile la funzione di richiamo automatico del valore min. Quando si cambia la gamma, il segnalatore che rappresenta la nuova gamma e il tasto OK lampeggiano; premendo OK si conferma l'impostazione della nuova gamma. Per uscire senza cambiare la gamma, premere ESCAPE. Premendo un tasto qualsiasi nella modalità variazione gamma attiva due volte il cicalino; questa è l'unica segnalazione a disposizione. Se non si preme il tasto OK entro 10 secondi dall'ultima variazione della gamma, la gamma selezionata rimane invariata.

La gamma può essere cambiata soltanto ad erogazione di corrente disinserita. Premendo i tasti ◀ RANGE o RANGE ▶ ad erogazione inserita si provoca il lampeggio del tasto ON/OFF dell'erogazione di corrente (nonché del tasto OK). L'erogazione di corrente può essere disinserita con il tasto ON/OFF, mentre la gamma può essere cambiata premendo OK oppure premendo direttamente OK, nel cui caso lo strumento disinserisce automaticamente l'erogazione di corrente, poi cambia la gamma.

Qualora una gamma provochi il superamento del valore max di tensione o di corrente previsto per la nuova gamma, la gamma selezionata viene accettata, ma il valore viene impostato su quello massimo previsto per la nuova gamma.

Si noti che il valore imposto per l'OVP non cambia quando si cambia la gamma (ad es. per XDL 35-5, l'impostazione dell'OVP su 38 V rimane valida sulla gamma 15 V); è compito dell'utente cambiarlo.

### **Impostazioni di uscita – Blocco pannello frontale**

Per evitare modifiche accidentali alle impostazioni di uscita in una configurazione su rack o su banco, è possibile bloccare e sbloccare i comandi nel pannello frontale di range, tensione, limite di corrente, OVP e OCP utilizzando in maniera alternata la funzione #33. Vedere la sezione Funzioni supplementari. Il tasto ON/OFF dell'uscita rimane sbloccato, come la selezione del rilevamento remoto. Il blocco del pannello frontale funziona in modalità controllo remoto (solo modelli P) ma viene ignorata dai comandi remoti.

Nei modelli ad uscita tripla la tensione di uscita AUX è bloccata quando le impostazioni Uscita 1 sono bloccate ma, in aggiunta, i tasti ◀ CONTROL ▶ permangono sbloccati. Tutte le uscite rimangono bloccate e sbloccate allo stesso tempo se #33 viene usato in modo Link, fare riferimento alle sezioni Uscita Ausiliaria e Uscite principali – Modalità collegamento. ◀◀

### **Collegamento agli utilizzatori**

Collegare gli utilizzatori ai morsetti contrassegnati OUTPUT positivo (rosso) e negativo (nero). Entrambi sono morsetti ad erogazione variabile e possono essere collegati alla messa a terra.

### **Rilevamento remoto**

Lo strumento è caratterizzato da una bassissima impedenza di uscita, che è però destinata ad aumentare a causa della resistenza dei cavi di collegamento. In presenza di correnti elevate, si possono verificare differenze sostanziali tra la tensione di alimentazione indicata e la tensione effettivamente erogata (ad esempio, due cavi di collegamento da 20 mΩ provoca un calo di 0,2 V a 5 Ampere). Il problema può essere minimizzato utilizzando cavi di collegamento corti e grossi ma, se necessario, può essere eliminato completamente mediante l'utilizzo della funzione di rilevamento remoto.

---

Questa funzione prevede il collegamento dei morsetti all'uscita dell'utilizzatore anziché alla fonte di alimentazione; inserire i fili nei morsetti a molla REMOTE SENSE (rilevamento remoto) e collegarli direttamente all'utilizzatore.

Selezionare la funzione remote sense premendo SHIFT, SENSE; lampeggia il tasto OK e si accende la spia sopra i morsetti remote sense per indicare che sarà inserita la funzione remote sense alla pressione del tasto OK. Premere OK per confermare; premere ESCAPE per uscire senza cambiare la modalità di funzionamento. La funzione REMOTE SENSE viene disinserita premendo di nuovo SHIFT, SENSE; lampeggia il tasto OK e si accende la spia REMOTE SENSE per indicare che saranno reinseriti i sensori locali alla pressione del tasto OK. Premere OK per confermare; premere ESCAPE per uscire senza cambiare la modalità di funzionamento.

Onde evitare problemi di instabilità e l'insorgere di transitori, avere l'accortezza di fissare saldamente tutti i cavi dei sensori alle rispettive uscite. A tal fine, intrecciare i cavi o utilizzare un cavo coassiale schermato (funzione di rilevamento eseguita dall'anima interna). Può anche essere utile ricorrere a un condensatore elettrolitico attraverso l'attacco dell'utilizzatore.

Il calo di tensione su ciascun cavo di uscita non deve superare 0,5 Volt.

I modelli P sono dotati di un'uscita sul pannello posteriore e di morsetti di rilevamento, particolarmente utili quando lo strumento viene montato in un rack. I morsetti di rilevamento sul pannello posteriore devono essere sempre utilizzati con i collegamenti di uscita sul pannello posteriore.


### Protezione magnetotermica rilevamento

L'erogazione di corrente viene disinserita qualora la tensione tra un morsetto di uscita e il rispettivo morsetto di rilevamento superi all'incirca 1 V circa; questo inconveniente si verifica se i fili di rilevamento sono collegati al morsetto errato dell'utilizzatore oppure qualora si cerchi di assorbire la corrente dai fili di rilevamento.

In caso di collegamento errato dei morsetti di rilevamento, appare sul display il messaggio **SENSE triP** e l'erogazione di corrente viene disinserita. Premere ESCAPE per cancellare il messaggio e visualizzare la tensione predefinita e il limite di corrente. Una volta individuata la causa dell'inserimento della protezione magnetotermica, è possibile reinserire la corrente.

### Collegamento in serie o parallelo con altre uscite

Le uscite dell'alimentatore sono ad erogazione variabile e possono essere utilizzate con alimentatori destinati all'erogazione di alte tensioni c.c., fino a 300 V.

La tensione massima ammessa tra i morsetti e la messa a terra () e 300 V c.c.

**ATTENZIONE!** La presenza di alte tensioni può essere estremamente pericolosa; a titolo precauzionale, è buona norma schermare i morsetti di uscita destinati all'erogazione di alte tensioni. Non toccare mai i morsetti di uscita quando si utilizza l'apparecchio per erogare alte tensioni. Provvedere al collegamento dei cavi ai morsetti a corrente disinserita su tutti gli apparecchi.

Si ricorda che lo strumento può essere utilizzato soltanto per prelevare la corrente e non per abbassarla; non è quindi consentito il collegamento in serie antifase.

Lo strumento può essere collegato in parallelo con altri strumenti al fine di erogare correnti elevate. Qualora si colleghino più strumenti in parallelo, la tensione erogata corrisponderà a quella dello strumento che eroga la tensione più alta fino a quando la corrente prelevata supera il limite max di corrente, nel cui caso scenderà al valore più alto successivo e così via. Nella modalità corrente costante, gli strumenti possono essere collegati in parallelo per fornire una corrente pari alla somma dei valori massimi di corrente impostati.

Si noti che i morsetti di uscita sono impostati su un massimo di 30A; in presenza di più uscite collegate in parallelo per erogare correnti più elevate, questo collegamento deve essere effettuato altrove, non su uno dei morsetti.

### Protezione magnetotermica sovratensioni

La protezione dalle sovratensioni (OVP) può essere impostata su tensioni comprese tra 1,0 V e 40 V (XDL 35-5) o 60V (XDL 56-4). Qualora la tensione erogata superi l'OVP, l'erogazione di corrente viene disinserita immediatamente (di norma, entro 100  $\mu$ s), onde evitare di danneggiare

---

il circuito da verificare. Il circuito OVP protegge lo strumento dall'impostazione di tensioni eccessive dal pannello anteriore o attraverso le interfacce remote, dalle tensioni esterne stampigliate sui morsetti di uscita o dai guasti dei circuiti di controllo dello strumento stesso.

Per impostare l'OVP, premere SHIFT, OVP; comincia a lampeggiare il segnalatore JOG in passi di 100 mV; ruotare la manopola di variazione graduale per aumentare/diminuire il valore OVP impostato in passi di 100 mV. Premere OK per confermare il nuovo valore impostato; per uscire senza digitare un nuovo valore, premere ESCAPE. Le impostazioni di fabbrica sono 40-0V (XDL 35-5) e 60V (XDL 56-4).

Qualora intervenga la protezione magnetotermica dell'OVP, appare sul display il messaggio **OVP trip** e l'erogazione di corrente viene disinserita. Premere ESCAPE per cancellare il messaggio dal display e visualizzare i valori valore max di tensione e corrente predefiniti. Una volta individuata ed eliminata la causa dell'intervento della protezione magnetotermica dell'OVP (oppure una volta cambiato il valore max per l'OVP), è possibile reinserire l'erogazione di corrente. Si noti che il valore impostato per l'OVP non viene cambiato quando si cambia la gamma (ad es. per XDL 35-5 il valore di 38 V impostato per l'OVP rimane valido sulla gamma 15 V); è compito dell'operatore cambiarlo.

Si noti che è anche possibile impostare l'OVP su un valore inferiore alla tensione predefinita. Qualora l'alimentatore funzioni nella modalità corrente costante, la tensione erogata sarà inferiore al valore impostato; l'OVP può essere impostato su un valore superiore alla tensione effettivamente erogata ma inferiore a quella impostata al fine di disinserire l'erogazione di corrente in caso di guasto provocato dall'aumento dell'impedenza del carico e conseguente aumento della tensione erogata oltre il valore impostato per l'OVP.

### **Protezione magnetotermica sovracorrenti**

La protezione delle sovracorrenti (OCP) può essere impostata su valori compresi tra 0,01 A a 5,5 A (XDL 35-5) o 4,4A (XDL 56-4). Se la corrente erogata supera il valore impostato per l'OCP, l'erogazione della corrente viene disinserita (in genere, entro 35 ms).

Per impostare la OCP, premere SHIFT, OCP; comincia a lampeggiare il segnalatore JOG in passi di 10 mA ed è possibile ruotare la manopola di variazione graduale per aumentare/diminuire il valore impostato per l'OCP in passi di 10 mA. Premere OK per confermare il nuovo valore; per uscire senza digitare un nuovo valore, premere ESCAPE. L'impostazione di fabbrica è 5-50 A (XDL 35-5) o 4,4 A (XDL 56-4).

In caso di intervento dell'OCP, appare sul display il messaggio **OCP trip** e viene disinserita l'erogazione di corrente. Premere ESCAPE per cancellare il messaggio e visualizzare i valori max di tensione e corrente predefiniti. Una volta individuata ed eliminata la causa dell'intervento dell'OVP (oppure una volta cambiato il valore max per l'OVP), è possibile reinserire l'erogazione di corrente.

Si noti che il valore impostato per l'OVP non viene cambiato quando si cambia la gamma di esercizio.

Si noti inoltre che è possibile impostare l'OCP su un valore inferiore al valore max di corrente. Ad esempio, l'alimentatore può essere utilizzato per verificare ripetutamente un apparecchio (UUT) che, a titolo esemplificativo, può assorbire una corrente massima di 2 ampere. In caso di guasto dell'UUT, quest'ultimo assorbirebbe una corrente superiore ai 2 ampere e subirebbe danni qualora l'alimentazione di corrente max erogata rimanga su 2 ampere. In questo caso, il valore max di corrente può essere impostato su 2-1 A, ad esempio, e l'OCP potrebbe essere impostato su 2-0 A per assicurare la disinserizione dell'erogazione di corrente all'UUT difettoso.

### **Protezione uscita**

Oltre alle protezioni dalla sovratensione OVP e sovracorrente OCP, l'apparecchio è dotato di un diodo destinato a proteggere l'uscita dalle tensioni inverse; la corrente inversa costante non deve superare i 3 ampere, anche se i transistori possono essere molto più alti.

### **Tensione erogata (V x A)**

Quando si preme SHIFT, V x A, il display tensione visualizza il risultato del prodotto fra la tensione e la corrente erogate mentre il display corrente visualizza la scritta **VA**. La lettura della tensione erogata viene continuamente aggiornata alla frequenza di misurazione normale. La

---

modalità Tensione erogata viene annullata premendo ESC o nuovamente V x A. V x A è una funzione temporanea, ovvero visualizza la tensione erogata solo per un breve periodo di tempo; il valore visualizzato rimane sullo schermo mentre è premuto il tasto. Premendo V x A si annulla la funzione SHIFT. Durante la visualizzazione del valore V x A, la funzione variazione graduale viene disattivata (e i segnalatori luminosi JOG vengono spenti).

### Protezione magnetotermica sovratemperature

Qualora venga superato il valore max ammesso per la temperatura interna, ad esempio in caso di ostruzione delle ventole, l'erogazione di corrente viene disinserita e il display visualizza il messaggio **OTP trip**. Premendo ESCAPE viene eseguita una delle due operazioni indicate qui di seguito:

- i. Se la causa della sovratemperatura è già stata eliminata, il messaggio viene cancellato e il display visualizza i valori di tensione e corrente predefiniti. Purché sia stata eliminata la causa della sovratemperatura, è possibile reinserire l'erogazione.
- ii. Se l'apparecchio supera ancora il limite di temperatura di sicurezza, lampeggia a cadenza rallentata la scritta **OTP trip** fino a quando l'apparecchio si raffredda; a questo punto vengono visualizzati di nuovo sul display i valori di tensione e corrente predefiniti. Purché sia stata eliminata la causa della sovratemperatura, è possibile reinserire l'erogazione di corrente.

### Uscita allarmi

Il connettore a 2 pin montato ad incasso sul pannello posteriore è collegato direttamente a un transistor di commutazione NPN collegato otticamente (pin 1 emettitore, pin 2 collettore) che viene inserito (ovvero 'chiude' l'interruttore) quando si verificano le condizioni indicate nella sezione Funzioni supplementari, più avanti. La condizione predefinita è la chiusura dell'interruttore per tutte le condizioni che provocano l'intervento dell'allarme (OVP, OCP, SENSE o OTP). La tensione massima erogata all'interruttore è 30 V c.c. e la corrente minima per la chiusura dell'interruttore è 1 mA.

### Memorizzazione dei valori impostati

Lo strumento può memorizzare 50 configurazioni per uscita nella memoria non volatile a corredo dello strumento; i parametri sono: la gamma, la tensione, il limite di corrente, l'OVP e l'OCP. L'apparecchio non memorizza i valori relativi allo stato dell'uscita e al rilevatore remoto. È anche possibile salvare altre 50 configurazioni in modalità collegamento, vedere Uscite principali – Modalità collegamento.

Per memorizzare i valori, premere SHIFT, STORE (memoria). Il display mostra **sto**. Sulla sinistra con il numero di memorizzazione (da 0 a 49) e lo stato di memorizzazione (**E** per memoria vuota o **F** per memoria piena) sulla destra. A questo punto la funzione SHIFT viene annullata (la spia si spegne). Il numero di memorizzazione (da 0 a 49) può essere impostato direttamente dalla tastiera o utilizzando la manopola di variazione graduale per aumentare/ridurre il numero visualizzato; il segnalatore JOG tra i numeri di memorizzazione lampeggia per indicare che la manopola è attiva. Impostare il numero di memorizzazione necessario utilizzando uno dei metodi e premere OK per memorizzare le impostazioni e tornare a V & I. La funzione di memorizzazione può essere usata anche quando le impostazioni di uscita sono state bloccate con la funzione #33.

È possibile sovrascrivere una memoria piena con i nuovi valori impostati oppure uscire dalla funzione di memorizzazione in qualsiasi momento senza salvare i valori premendo ESCAPE o aspettando 10 secondi dalla digitazione dell'ultimo valore.

### Cancellazione dei valori memorizzati

È possibile svuotare tutte le memorie osservando le seguenti istruzioni: selezionare la memoria premendo SHIFT, STORE. Impostare il numero di memorizzazione richiesto con la tastiera o con la manopola di variazione graduale, come descritto sopra.

Premere **•**. Appare sul display la scritta **dEL** invece di **sto**, ad es. **dEL 29 F**; premere OK per svuotare il contenuto della memoria. Tutte le configurazioni memorizzate dell'uscita possono essere anch'esse eliminate simultaneamente con la funzione #98, vedere la sezione Funzioni supplementari.

---

## Richiamo dei valori memorizzati

Per richiamare un valore impostato, premere SHIFT, RECALL; il display mostra **rEC.** sulla sinistra con il numero di memorizzazione (da **0 a 49**) e lo stato (**E** per memoria vuota o **F** per memoria piena) sulla destra; ogni memoria viene selezionata utilizzando in maniera alternata la manopola di variazione graduale o la tastiera (come per i valori impostati di memorizzazione, vedere sopra). A questo punto la funzione SHIFT viene annullata (la spia si spegne). Se la memoria selezionata è piena (**F**), il display mostra un'anteprima lampeggiante dei valori V & I della memoria. Premere OK per richiamare le impostazioni della memoria e per tornare alla visualizzazione V & I. Se la memoria selezionata è vuota (**E**), il display lampeggia **-----** - per indicarlo. Non è possibile richiamare una memoria "vuota" (premendo OK viene emesso un bip di avviso); selezionare una memoria piena o premere ESCAPE per uscire. Il richiamo non può essere usato se l'uscita è stata bloccata. Prima di confermare l'operazione con il tasto OK, è possibile uscire dalla funzione Richiamo senza richiamare nessun valore impostato premendo ESCAPE o aspettando 10 secondi dalla digitazione dell'ultimo valore.

I valori impostati possono essere richiamati ad erogazione di corrente inserita o disinserita. Tuttavia, se il richiamo di un valore comporta la modifica della gamma di esercizio, l'erogazione di corrente viene disinserita onde evitare che vi verifichino impulsi spuri. Una volta premuto i tasti SHIFT, RECALL e dopo aver impostato il numero di memorizzazione, comincia a lampeggiare il tasto ON/OFF (unitamente al tasto OK) qualora il richiamo dei valori comporti la modifica della gamma di esercizio. L'erogazione di corrente può essere disinserita con il tasto ON/OFF e la funzione di richiamo può essere completata premendo OK oppure è possibile premere direttamente OK, nel cui caso l'erogazione di corrente viene disinserita automaticamente e viene successivamente eseguita l'operazione di richiamo.

## Funzioni supplementari

Le variazioni di alcune delle funzioni predefinite in fabbrica possono essere impostate dall'utente tramite le funzioni supplementari #. Per apportare modifiche a tutte le funzioni disponibili, elencate qui di seguito, premere SHIFT, #, nn, dove nn è il numero a 2 cifre indicato nell'elenco qui sotto; il display visualizza la scritta **HASH No. \_** dopo SHIFT, # e viene attivato un cicalino di conferma una volta digitato il numero a 2 cifre. Come già accennato nel paragrafo iniziale della presente sezione, le funzioni # possono essere impostate separatamente (possono cioè essere diverse) per ciascuna uscita principale; si fa però presente che le funzioni #02, #03 e #21 che interessano l'uscita ausiliaria (Auxiliary Output) possono essere impostate soltanto quando ◀ CONTROL ▶ viene attribuito all'Uscita 1.

Le impostazioni di ciascuna uscita principale possono essere bloccate e sbloccate individualmente utilizzando la funzione #33 con ◀ CONTROL ▶ associato alla rispettiva uscita; nei modelli T le impostazioni AUX sono anch'esse bloccate/sbloccate quando l'uscita 1 è bloccata/sbloccata. Le impostazioni di tutte le uscite vengono bloccate/sbloccate insieme se la funzione #33 viene usata con ◀ CONTROL ▶ impostato sulla modalità LINK.

### # Codice Funzione

- |    |  |
|----|--|
| 00 | Uscita principale sempre dininserita all'accensione (predefinita in fabbrica)  |
| 01 | La condizione dell'uscita principale all'accensione è identica a quella dell'ultimo spegnimento.   |
| 02 | L'uscita ausiliaria (solo modelli T) è sempre disinserita all'accensione (predefinita in fabbrica).<br>Il controllo di questa funzione viene attribuito all'uscita 1.            |
| 03 | La condizione dell'uscita ausiliaria (solo modelli T) all'accensione è identica a quello dell'ultimo spegnimento. Il controllo di questa funzione viene attribuito all'uscita 1. |
| 20 | Uscita per l'allarme 'aperta' per l'uscita principale disinserita, 'chiusa' per l'uscita principale inserita.  |

- 
- 21 Uscita per l'allarme 'chiusa' quando l'uscita ausiliaria si trova entro il valore max di corrente.  
Il controllo di questa funzione viene attribuito all'Uscita 1; interessa soltanto l'allarme per l'Uscita 1.
  - 22 Uscita allarme 'chiusa' quando interviene la protezione sovratemperature
  - 23 Uscita allarme 'chiusa' quando interviene la protezione guasto rilevatore
  - 24 Uscita allarme 'chiusa' quando interviene la protezione sovracorrente
  - 25 Uscita allarme 'chiusa' quando interviene la protezione sovratensioni
  - 26 Uscita allarme 'chiusa' quando interviene una protezione (impostazione iniziale)
  - 30 Disattivazione cicalino
  - 31 Inserimento cicalino (impostazione iniziale). L'emissione di un singolo segnale acustica indica la conferma dell'operazione, l'emissione di due segnali acustici indica la digitazione di un dato errato.
  - 33 Impostazioni di blocco/sblocco. Notare che le impostazioni dell'uscita AUX sono bloccate con l'uscita 1.
  - 41 Il segnalatore JOG lampeggia sempre, eccetto quando è 'nascosto' (impostazione iniziale)
  - 42 Il segnalatore JOG non lampeggia, se non quando è 'nascosto' (lampeggio a cadenza lunga)
  - 91 Carica i parametri di taratura predefiniti. Si rimanda alla lettura della Guida alla manutenzione
  - 92 Visualizza il numero della versione del firmware nel display
  - 93 Imposta questi valori # sul valore impostato inizialmente
  - 94 Carica le impostazioni predefinite di fabbrica (vedi sotto)
  - 98 Cancella tutte le memorie impostate dell'uscita. L'uscita AUX viene sempre cancellata con O/P1.  
In modalità LINK, cancella tutte le morie in tutte le modalità (O/P1, O/P2, AUX e LINK).
  - 99 Consente di accedere alla modalità di taratura. Vedi la Guida alla manutenzione.

### **Impostazioni di fabbrica**

Le impostazioni di fabbrica (adottate alla prima accensione dello strumento) sono:

Gamma:	35 V/3 A
Tensione:	1,000 V
Limite di corrente:	1,000 A
OVP:	40 V
OCP:	5,5 A
Uscita:	Erogazione disinserita; rilevatore locale
# Valori impostati:	00 Uscita principale sempre disinserita all'accensione
	02 Uscita ausiliaria sempre disinserita all'accensione (solo per l'Uscita 1 #).
	26 Uscita allarme 'chiusa' quando interviene una protezione
	31 Inserimento cicalino
	41 Lampeggio costante del segnalatore JOG; lampeggio lento quando è nascosto



---

RS232: 9.600 Baud (solo versioni P)  
Indirizzo: 11 (solo versioni P)

## Messaggi di errore

I seguenti errori hardware vengono segnalati dalla comparsa del rispettivo numero di errore sul display. Il tasto OK lampeggia e, qualora venga premuto, l'errore viene ignorato e l'apparecchio continuerà a funzionare regolarmente.

N. errore	Descrizione dell'errore	Dopo la pressione del tasto OK
1	Costanti di taratura alterate all'accensione	Carica i parametri di taratura predefiniti
2	# funzioni alterate all'accensione	Carica i valori impostati # predefiniti
3	Errato caricamento dei valori di spegnimento impostati in occasione dell'accensione	Carica i valori d'accensione impostati in fabbrica

Lo spegnimento dello strumento con l'errore di messaggio visualizzato non cambia i valori impostati.

## Uscite principali – Modalità Link (solo modelli T)

Nella modalità Link, che viene selezionata premendo il tasto LINK, i parametri più importanti delle due uscite principali vengono impostati contemporaneamente; quando viene selezionata la modalità Link, entrambi i tasti ◀ CONTROL ▶ (1 e 2) si illuminano per indicare che sono state selezionate entrambe le uscite.

I paragrafi che seguono descrivono soltanto le differenze tra il funzionamento indipendente e collegato e devono essere letti unitamente ai paragrafi corrispondenti nella sezione Uscite principali.

### Funzionamento nella modalità Link

Il controllo delle due uscite principali può essere "collegato" in modo che le modifiche vengano adottate per entrambe le uscite contemporaneamente. Questa funzione è utile per diversi motivi, indicati qui di seguito:

#### 1. Collegamento in serie o parallelo

Volendo, l'utente può raddoppiare il valore max di tensione o di corrente per un'uscita; vedi la sezione Collegamento in serie o parallelo con altre uscite, a pagina 15. La modalità Link agevola sensibilmente il controllo delle due uscite quando queste sono collegate in serie o in parallelo.

#### 2. Aggancio tensioni (o correnti)

Quando lo strumento funziona nella modalità Link, agendo sul tasto Numeric Set è possibile impostare le medesime tensioni e/o correnti sulle due uscite. Il controllo delle uscite può essere collegato anche se le tensioni e/o correnti impostate sulle uscite sono diverse. L'uso del comando Jog consente di apportare le medesime modifiche alle due uscite.

#### 3. Richiamo simultaneo delle impostazioni memorizzate

Ciascuna uscita è corredata di serie di 50 memorie. Tuttavia, nella modalità Link, sono disponibili altre 50 memorie, dove si possono memorizzare valori per entrambe le uscite. Le tensioni e le correnti possono essere impostate separatamente per ciascuna uscita e il controllo può essere inserito nella modalità Link prima di memorizzare le impostazioni. È anche possibile richiamare contemporaneamente le impostazioni memorizzate per entrambe le uscite. Utilizzando la funzione #98 in modalità Link vengono cancellate tutte le memorie delle 3 uscite in tutte le modalità. Vedere Funzioni supplementari.

**Nota:**Le impostazioni memorizzate per l'uscita 1 possono essere duplicate sull'uscita 2 tramite la funzione Copy prima o dopo il collegamento dei due strumenti.

Nella modalità Link, le funzioni di controllo a disposizione sono le seguenti: Set Range, Set Volts e Set Current (Numeric Set e Jog set), nonché Store e Recall. Le funzioni OVP, OCP e Sense non possono essere modificate nella modalità collegata.

---

L'inserimento/disinserimento per entrambe le uscite viene eseguito separatamente nella modalità Link. Per inserire o disinserire le uscite contemporaneamente, occorre agire sui pulsanti ALL ON/ALL OFF, che funzionano indipendentemente dalla modalità Link. Utilizzando la funzione #33 in modalità Link viene bloccato/sbloccato simultaneamente il controllo del pannello frontale in tutte e tre le uscite.

### **Selezione della modalità Link**

Il solo vincolo che interessa la selezione della modalità Link consiste nel fatto che entrambe le uscite principali devono già essere impostate sul medesimo campo di valori (Range); in particolare, le uscite possono essere collegate anche se i valori max impostati per la tensione e la corrente sono diversi. La pressione del tasto LINK quando si impostano campi di valori diversi attiva due volte il cicalino e comporta il lampeggio per 2 secondi della spia Range dell'uscita non selezionata in precedenza.

La selezione della modalità Link annulla l'eventuale selezione di Jog su una delle due uscite principali.

### **Impostazione del valore max di tensione e di corrente**

L'impostazione del valore max della tensione e della corrente erogata tramite la digitazione di valori numerici o il comando Jog è essenzialmente identica a quello per le uscite nella modalità indipendente. La digitazione dei valori numerici imposta le due uscite sullo stesso nuovo valore limite impostato per la tensione e la corrente, a prescindere dai valori impostati in occasione del collegamento delle due uscite. Si fa presente che può esserci una differenza temporale finita tra le modifiche apportate alle due uscite, anche se il valore iniziale è identico; in genere, questa differenza temporale non dovrebbe superare i 40 ms (80 ms max). Se però i due valori impostati erano diversi in occasione del collegamento delle uscite, la modifica del valore della tensione o della corrente mediante il comando Jog fa sì che la differenza di valore tra le due uscite venga mantenuta costante mediante l'incremento/il decremento del valore di ciascuna uscita del medesimo valore, ovvero la differenza tra le due uscite rimane sempre costante. Questa differenza costante viene mantenuta fino a quando una delle due uscite raggiunge il valore limite del campo di valori impostato; i successivi incrementi o decrementi provocano l'attivazione del cicalino per l'uscita interessata (che rimane però sempre sul medesimo valore limite), mentre l'uscita i cui valori sono ancora compresi nel campo impostato continua a cambiare, ovvero la differenza di valore tra le due uscite non sarà più costante, ma i valori si avvicineranno sempre di più ad ogni successivo incremento o decremento. Se l'incremento/decremento viene invertito, la nuova differenza (minore) tra i valori delle uscite viene mantenuta fino a quando una delle due uscite raggiunge il valore max del campo di valori nella direzione opposta.

Qualora si esca dalla modalità Link durante la selezione della modalità Jog, quest'ultima continua ad essere attiva sull'uscita selezionata.

### **Funzioni di memorizzazione e richiamo**

Nella modalità Link, sono disponibili altre 50 memorie non volatili, che non sono correlate alle 50 memorie a disposizione per le singole uscite nella modalità funzionamento indipendente. I parametri memorizzati sono: Range (Gamma), Voltage (Tensione), Current Limit (Valore max corrente), OVP (punto di intervento termica sovratensione) e OCP (punto di intervento termica sovracorrente). Il funzionamento nella modalità Link è identico a quello descritto nei paragrafi Memorizzazione, Richiamo ed Eliminazione della sezione Uscite principali; i messaggi sul display descritti in queste sezioni compaiono su entrambi i display quando si seleziona la modalità Link.

### **OVP, OCP e Rilevamento**

I valori per OVP, OCP e Sense (rilevamento) possono essere impostati soltanto quando si seleziona separatamente uno dei due canali. I valori impostati vengono mantenuti mentre è selezionata la modalità Link; i valori per OVP ed OCP possono essere memorizzati durante la configurazione della modalità Link, ma non il valore Sense. Qualora si cerchi di cambiare i valori OVP, OCP o Sense nella modalità di funzionamento Link, sul display dell'uscita 1 lampeggia la scritta **SELCT 1or2** per segnalare all'utente che i parametri devono essere impostati separatamente per ciascun canale. Premere ESCAPE per annullare questa funzione, attribuire il controllo al canale interessato mediante i tasti ◀ CONTROL ▶ 1 o 2 e impostare i valori OVP, OCP, o Sense osservando le istruzioni fornite per le singole uscite.

---

## Alimentazione erogata

Premendo SHIFT, V x A viene visualizzata contemporaneamente su entrambi i display l'alimentazione erogata da entrambe le uscite ((V x A nel display destinato alla tensione, UA nel display destinato alla corrente) esattamente come nel funzionamento indipendente.

## Funzioni supplementari

Le funzioni # descritte nel paragrafo Funzioni supplementari della sezione Uscita principale possono essere impostate solo quando lo strumento funziona nella modalità Link; entrambi i display visualizzano la scritta **HASH No. \_** dopo la pressione di SHIFT, #. Tutte le funzioni # impostate in questo modo sono naturalmente identiche per entrambe le uscite. Tuttavia, le funzioni # possono essere diverse per ciascuna uscita se le uscite vengono impostate separatamente durante il funzionamento nella modalità indipendente e la selezione delle funzioni viene mantenuta per ciascuna uscita, anche quando le uscite si trovano nella modalità Link.

## Tipo di bus e Indirizzo/Velocità di trasmissione

Le funzioni Bus Type, Address e Baud Rate possono essere selezionate quando il controllo viene attribuito all'uscita 2. Il display dell'uscita 2 è destinato a visualizzare i parametri impostati, esattamente come per il funzionamento indipendente. Qualora non si impostino questi parametri nella modalità Link, o con l'uscita 1 selezionata, lampeggia sul display dell'uscita 1 il seguente messaggio: **SELct P.U.\_2**, che invita l'utente a selezionare l'uscita 2. Premere Escape per eliminare il prompt sul display (o attendere fino alla scadenza del tempo a disposizione), poi selezionare l'uscita 2.

## Uscite principali – Funzione di copiatura (solo modelli T)

Le configurazioni più importanti per l'uscita 1 possono essere copiate sull'uscita 2 mediante la funzione Copy, a prescindere dalla modalità ◀ CONTROL ▶ (1, 2 o LINK) attualmente selezionata. I parametri che vengono copiati sono: Range, Voltage, Current Limit, OVP e OCP; non vengono copiate invece le condizioni delle funzioni Sense, ON/OFF, Jog e il contenuto della memoria Store.

Premendo SHIFT, COPY 1>2 lampeggiano sul display dell'uscita Output 2 i valori impostati per Voltage, Current e Range dell'uscita 1; lampeggia anche il tasto OK. Premere OK per confermare e selezionare la funzione Copy; premere ESCAPE per annullare l'operazione.

Qualora la funzione Copy comporti la modifica di un valore della gamma impostata per l'uscita Output 2, e quest'ultima sia predisposta su ON, lampeggia anche il tasto ON/OFF dell'uscita 2 e l'uscita viene disinserita (OFF) quando si agisce sul tasto OK; l'uscita può essere disinserita anche agendo direttamente sul relativo tasto ON/OFF prima di premere OK.

## Uscita ausiliaria (solo modelli T)

L'uscita AUX eroga fino a 3 Ampere alle tensioni che vanno da 1 a 6 V. La tensione erogata viene impostata agendo solo sulla manopola di variazione graduale con una risoluzione di passo fissa di 10mV, mentre il valore max di corrente viene fissato su  $\geq 3$  Ampere.

La tensione dell'uscita AUX, nonché la tensione e la corrente monitorate, nell'uscita principale 1 vengono visualizzate alla pressione alternata del tasto SET/VIEW a lato dei morsetti AUX. Premere una volta per mostrare AUX V & I (A viene indicato davanti all'impostazione V per indicare questo stato), premere di nuovo per mostrare V & I dell'uscita 1.

L'uscita AUX viene accesa e spenta con il tasto AUX ON/OFF; il tasto si accende quando AUX è attivo. Con l'uscita AUX spenta e AUX V & I mostrato nel display dell'uscita 1, la tensione dell'uscita AUX può essere vista in anteprima e impostata con la manopola di variazione graduale; il valore massimo della corrente è fisso e l'anteprima mostra 3,00A. Con l'uscita AUX attiva, il display dell'uscita 1 mostra la tensione e la corrente effettive dell'uscita AUX.

L'uscita AUX è protetta dal sovraccarico di corrente e dal cortocircuito momentaneo nel seguente modo. Quando la corrente di carica supera i 3,00A, la spia  $I_{LIMIT}$  si accende per indicare che la regolazione non viene più rispettata. Se la condizione di sovraccarico persiste per più di circa 5 secondi, l'uscita si disattiva; il tasto AUX ON/OFF non è più acceso, la spia  $I_{LIMIT}$  lampeggia e il display dell'uscita 1 (se impostato per mostrare AUX V & I) mostra il messaggio **trip** invece della misurazione della corrente. Premendo il tasto AUX ON/OFF viene reimpostata la spia  $I_{LIMIT}$  e

---

il display dell'uscita 1 affinché mostrino i valori massimi preimpostati di tensione e corrente dell'uscita AUX. Quando la condizione di sovraccarico è stata rimossa, è possibile accendere nuovamente l'uscita AUX.

Altre 10 memorie non volatili, in aggiunta alle 50 di ciascuna uscita principale e operazione in modalità Link, sono disponibili per memorizzare le configurazioni della tensione dell'uscita AUX. Premere il tasto SET/VIEW per mostrare AUX V & I nel display dell'uscita 1; il funzionamento è successivamente identico a quello descritto nei paragrafi relativi alla memorizzazione, al richiamo e all'eliminazione dei paragrafi nella sezione Uscite principali.

I morsetti di uscita sono presenti anche sul pannello posteriore (senza viti) e sono destinati al montaggio su rack; non è disponibile la funzione di rilevamento remoto.

Le seguenti funzionalità dell'uscita AUX possono essere impostate/monitorate tramite le interfacce remote:

- Impostazione della tensione di uscita; readback della tensione di uscita impostata.

- Readback della tensione e della corrente effettive dell'uscita.

- Impostazione di un incremento deltaV; readback dell'incremento impostato.

- Incremento/riduzione della tensione di uscita per deltaV.

- Accensione e spegnimento dell'uscita AUX.

- Readback dello stato on/off dell'uscita.

- Stato del limite della corrente e dell'attivazione della corrente (tramite il comando LSR2?, vedere Modello di stato).

Ulteriori dettagli sono disponibili nella sezione Comandi remoti.

---

## Funzionamento remoto (solo modelli P)

Lo strumento può essere telecontrollato attraverso le interfacce RS232, USB, LAN o GPIB.

Il controllo remoto via USB funziona in modo simile a un'interfaccia RS232, con la differenza che usa un connettore USB. Il software fornito con lo strumento consente di configurare il computer controllante in modo che consideri il collegamento USB come una porta COM virtuale. Il software dell'applicazione presente nel computer è quindi in grado di accedere allo strumento tramite tale porta COM.

L'interfaccia LAN è stata progettata per soddisfare i requisiti LXI (LAN eXtensions for Instrumentation) versione 1.2; lo strumento è conforme alla Classe C. Il protocollo socket TCP/IP consente di attivare il controllo remoto tramite l'interfaccia LAN. Lo strumento contiene anche un server Web di base che fornisce le informazioni sullo strumento, consentendone anche la configurazione. È anche possibile il controllo semplice con la riga di comando del browser.

Tutte le interfacce sono predisposte sulla modalità sempre attiva (requisito LXI) ma l'accesso alle singole interfacce può essere limitato utilizzando le opzioni di configurazione sulle pagine web.

### Blocco delle interfacce

Tutte le interfacce sono sempre attive; questa funzione elimina la necessità di selezionare l'interfaccia attiva, ed è anche un requisito LXI. Per ridurre il rischio di attivazione involontaria dello strumento sotto il controllo di due interfacce contemporaneamente, è previsto un semplice meccanismo di blocco e sblocco nel set di istruzioni. Il blocco viene disattivato automaticamente quando è possibile individuare la disconnessione e quando si preme il pulsante Local. L'accesso alle interfacce può essere limitato utilizzando le pagine web.

Qualsiasi interfaccia può richiedere il controllo esclusivo dello strumento inviando un comando "IFLOCK". Il blocco può essere annullato inviando un comando "IFUNLOCK" dall'istanza d'interfaccia attualmente bloccata e può essere interrogato da qualsiasi interfaccia inviando un comando "IFLOCK?". La risposta ad uno qualsiasi di questi comandi sarà "-1" se il blocco è assunto da un'altra istanza d'interfaccia, "0" se l'interfaccia è libera e "1" se il blocco è assunto dall'istanza d'interfaccia che l'ha richiesto. L'invio di un comando qualsiasi da un'interfaccia senza privilegio di controllo che tenta di cambiare la modalità operativa dello strumento imposterà il bit 4 dello Standard Event Status Register (Registro stato eventi standard) e inserirà 200 nell'Execution Error Register (Registro errori di esecuzione) per indicare che non ci sono privilegi sufficienti per l'azione richiesta.

Nota: è anche possibile configurare il privilegio per una particolare interfaccia su 'sola lettura' o 'nessun accesso' dall'interfaccia della pagina Web.

### Selezione dell'indirizzo e della velocità di trasmissione e visualizzazione dello stato dell'interfaccia

La funzionalità dell'indirizzo dello strumento è strettamente necessaria solo con l'interfaccia GPIB. Tuttavia, il comando ADDRESS? può essere usato su qualsiasi interfaccia per identificare facilmente lo strumento controllato da una specifica porta COM (per RS232 o USB) o socket TCP (per LAN). Si noti che l'interfaccia LAN dispone anche di una funzione "Identify" separata, accessibile dalle pagine Web dello strumento, che fa lampeggiare la schermata finché la funzione non viene annullata.

Per accedere all'indirizzo dell'interfaccia o alla velocità di trasmissione, la modalità ◀ CONTROL ▶ deve essere prima impostata su 2 (ovvero, solo l'uscita 2 selezionata). Premere MAIUSC, Addr/Baud per visualizzare l'indirizzo bus dello strumento attualmente selezionato. Premendo nuovamente Addr / Baud viene mostrata la velocità di trasmissione attualmente selezionata, ulteriori pressioni alternano le due impostazioni.

Per modificare l'indirizzo, scorrere gli indirizzi disponibili utilizzando la manopola di variazione graduale quando l'indirizzo viene visualizzato. L'indirizzo può essere impostato tra 1 e 31 compresi. L'indirizzo può essere impostato anche dalle pagine web dello strumento. Per cambiare la velocità di trasmissione, scorrere tra i valori disponibili (da 600 a 19200, valore predefinito 9600) utilizzando la manopola di variazione graduale quando viene visualizzata la velocità di trasmissione.

Premere OK per selezionare l'ultimo indirizzo visualizzato e Baud rate o ESCAPE per mantenere le selezioni precedenti.

Per impostazione predefinita, tutte le interfacce sono attive in ogni momento. È tuttavia possibile configurare il privilegio per una particolare interfaccia su "sola lettura" o "nessun accesso" dall'interfaccia della pagina Web. Lo stato dei privilegi di interfaccia può essere visualizzato, ma non modificato, dal pannello frontale.

Per visualizzare i privilegi di interfaccia, la modalità ◀ CONTROL ▶ deve essere prima impostata su 2 (ovvero, solo l'uscita 2 selezionata). Premere MAIUSC, Bus Type per visualizzare prima lo stato dell'interfaccia GPIB. Per visualizzare lo stato di privilegio di un'altra interfaccia, scorrere l'elenco delle interfacce utilizzando la manopola di variazione graduale fino a quando non viene visualizzata l'interfaccia richiesta. Lo stato viene mostrato come **Full**, **oFF** o **rEAd**.

## Funzionamento remoto/locale

All'accensione, lo strumento funziona nella modalità locale, con la spia REM spenta. In questa modalità, sono disponibili tutte le operazioni effettuate tramite tastiera. Quando lo strumento si trova nella modalità di ascolto e riceve un comando, viene inserita la modalità remota e si accende la spia REM. In questa modalità, la tastiera è bloccata e vengono elaborati solo i comandi remoti. La modalità locale si ripristina premendo il tasto LOCAL, ma l'effetto di questa azione dura solo fino a quando lo strumento viene interpellato di nuovo o riceve un altro carattere dall'interfaccia, nei cui casi ritorna alla modalità di funzionamento remoto.

## Interfaccia RS232

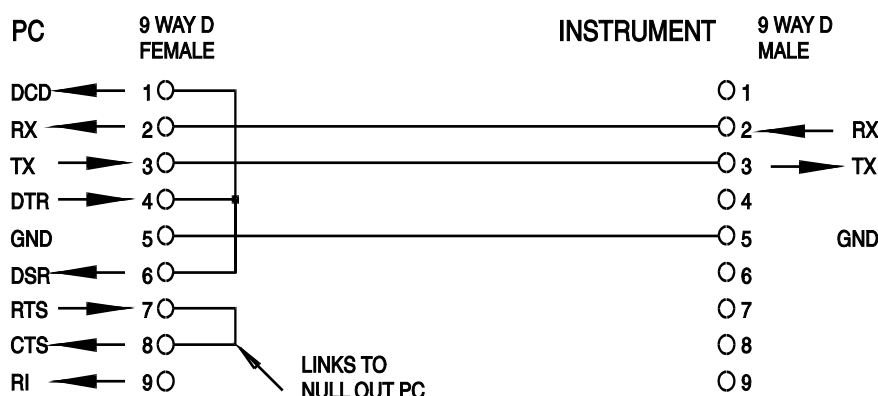
### Connettore dell'interfaccia RS232

Il connettore a 9 vie tipo D per interfaccia seriale si trova sul pannello posteriore dello strumento. I collegamenti ai pin sono riportati di seguito:

Pin	Nome	Descrizione
1	RI	Testato passivamente (+V attraverso 10kΩ)
2	TXD	Dati trasmessi dallo strumento
3	RXD	Dati ricevuti dallo strumento
4	CTS	
5	GND	Messa a terra del segnale
6	RTS	Testato passivamente (+V attraverso 10kΩ)
7	DSR	Nessuna connessione interna
8	DTR	
9	CD	Nessuna connessione interna

### Connessioni RS232

L'interfaccia RS232 può essere collegata a una porta PC standard con un cavo 1:1 maschio-femmina senza collegamenti incrociati. Diversamente, occorre collegare al PC solo i pin 2, 3 e 5, ma con i collegamenti effettuati nel connettore lato PC tra i pin 1, 4 e 6 e tra i pin 7 e 8; vedere il diagramma.



---

La velocità di trasmissione espressa in Baud si imposta come già descritto nella sezione Selezione dell'Indirizzo e della velocità di trasmissione; gli altri parametri sono impostati come segue:

Bit di avvio: 1	Parità: Nessuna
Bit di dati: 8	Bit di stop: 1

## Set di caratteri RS232

Essendo necessario l'handshaking XON/XOFF, è possibile trasmettere solo dati in codice ASCII; non sono consentiti dati binari. Il bit 7 del codice ASCII viene ignorato, ovvero si presume che sia stato impostato su basso. Poiché la mnemonica dei comandi non fa distinzione fra lettere maiuscole e lettere minuscole, è possibile utilizzarle entrambe. In questo manuale 20H corrisponde a 20 nel sistema esadecimale.

## Interfaccia USB

L'interfaccia USB è una porta COM virtuale controllabile via PC come se fosse un dispositivo RS232. La dotazione dello strumento prevede un CD contenente un file .inf per i driver Microsoft standard disponibili in Windows 2000, XP, Vista e Windows 7; l'installazione guidata provvede ad installare il driver (a 32-bit o 64-bit) giusto per il sistema operativo del PC. Gli aggiornamenti sono disponibili presso il sito Web di TTI, [www.tti-test.com](http://www.tti-test.com).

L'installazione del driver dell'interfaccia avviene collegando lo strumento a un PC con un cavo USB standard. Le funzioni plug and play di Windows individuano automaticamente il collegamento del nuovo hardware all'interfaccia USB e, qualora si tratti della prima connessione, invita l'utente a digitare il percorso di un driver idoneo. Se le richieste standard di Windows vengono seguite correttamente, viene installato il driver appropriato e crea una porta COM virtuale nel PC. Il numero della nuova porta COM dipenderà dal numero di porte COM coesistenti nel PC. La porta COM virtuale può essere comandata dalle applicazioni di Windows esattamente come una porta COM standard, con la differenza che l'impostazione della velocità di trasmissione della porta COM virtuale viene ignorata.

Il driver rimane installato nel PC in modo che la creazione di una porta COM virtuale viene eseguita automaticamente ogni volta che lo strumento viene collegato al PC tramite la porta USB.

Vengono create ulteriori porte COM virtuali per ciascuno strumento aggiuntivo connesso al PC tramite USB. A ciascuno strumento viene assegnata una porta COM virtuale separata alla prima connessione e la stessa porta verrà assegnata a ogni connessione successiva. Il software del PC utilizza il codice univoco integrato in ciascuno strumento per collegarlo alla stessa porta COM virtuale, indipendentemente dalla porta USB fisica alla quale è effettivamente connesso.

È anche possibile utilizzare il comando ADDRESS? per identificare con facilità lo strumento controllato da una specifica porta COM. Anche se la funzionalità dell'indirizzo viene ignorata nell'uso dell'interfaccia USB, è tuttavia possibile impostare e usare l'indirizzo come identificatore, impostare ciascuno strumento connesso via USB su un indirizzo diverso e inviare il comando ADDRESS? da ciascuna porta COM virtuale per confermare lo strumento collegato a tale porta.

## Interfaccia LAN

L'interfaccia LAN è progettata per essere conforme allo standard LXI versione 1.2 e contiene le interfacce e i protocolli descritti di seguito. Dato che vi è il rischio di interferire con la configurazione dell'interfaccia LAN, rendendo così impossibile la comunicazione LAN con lo strumento, è presente un meccanismo per la procedura LAN Configuration Initialise (LCI, inizializza configurazione LAN) attraverso un interruttore incassato sul pannello posteriore per il ripristino delle impostazioni di fabbrica predefinite. L'impostazione predefinita prevede che lo strumento tenti di ottenere le impostazioni via DHCP se disponibili o, in caso di timeout del DHCP (30 secondi), tramite Auto-IP. Nell'improbabile evento in cui non sia possibile trovare l'indirizzo Auto-IP, viene assegnato l'indirizzo IP statico 192.168.0.100. Il resettaggio della LAN elimina qualsiasi protezione della password.

Per ulteriori informazioni sulle norme LXI, visitare il sito [www.lxistandard.org/home](http://www.lxistandard.org/home).

---

## Connessione LAN

Per utilizzare l'interfaccia LAN, è necessario conoscere l'indirizzo IP dell'unità. È disponibile LXI Discovery Tool nel CD-ROM fornito, che serve per visualizzare gli indirizzi IP e le informazioni associate di tutti i dispositivi collegati conformi al protocollo di individuazione VXI-11. Questo strumento è un'applicazione per PC Windows che deve essere installata ed eseguita sul PC controllante con l'unità connessa direttamente al connettore di rete del PC o collegata tramite router. Si consiglia il collegamento tramite router, considerevolmente più rapido per l'assegnazione di un indirizzo IP; collegando direttamente al PC l'assegnazione dell'indirizzo IP comincia solo dopo i 30 secondi di timeout del DHCP. Fare doppio clic su una voce qualsiasi dell'elenco dei dispositivi rilevati per aprire il browser Web del PC e visualizzare l'homepage del dispositivo.

Sono anche disponibili strumenti per l'individuazione della LAN inclusi come parte del pacchetto National Instruments Measurement and Automation Explorer e dell'applicazione Agilent Vee.

Al primo avvio, l'unità tenta di ottenere le impostazioni via DHCP se disponibili o, in caso di timeout del DHCP (30 secondi), tramite Auto-IP. Nell'improbabile evento in cui non sia possibile trovare l'indirizzo Auto-IP, viene assegnato l'indirizzo IP statico 192.168.0.100. Durante questo periodo di tempo si accende la spia LAN, che rimane accesa fino a quando non si esegue una connessione LAN con esito positivo. Tuttavia, qualora una connessione non venga effettuata alla fine della procedura sopra indicata, oppure qualora il connettore LAN venga fisicamente staccato in qualsiasi momento, la spia LAN si spegne; per ulteriori dettagli, vedi la sezione Errori LAN.

### Server Web; Protezione password di configurazione

L'unità contiene un server Web di base. Il server fornisce informazioni sullo strumento e ne consente la configurazione. La pagina Configure (Configura) può essere protetta da password per impedire modifiche non autorizzate alla configurazione del funzionamento remoto; la configurazione predefinita è 'nessuna password'.

La pagina Configure spiega come impostare la password. La password può essere composta da un massimo di 15 caratteri; si fa presente che lo **User Name (nome utente) deve essere lasciato vuoto**. Tuttavia, si tornerà all'impostazione predefinita (nessuna password) se viene usato l'interruttore LAN RESET nel pannello posteriore per ripristinare tutti i parametri della LAN alle impostazioni di fabbrica.

Le pagine Web contengono anche una funzione Identify che consente all'utente di inviare un comando di identificazione allo strumento, facendo lampeggiare la schermata finché il comando non viene annullato.

### Server Ping ICMP

L'unità contiene un server ICMP che consente il ping dello strumento tramite il nome host o l'indirizzo IP.

### Protocollo di individuazione VXI-11

Lo strumento ha un supporto estremamente limitato di VXI-11, sufficiente solo per il protocollo di individuazione.

Lo strumento implementa un portmapper RPC Sun nella porta TCP 111 e nella porta UDP 111, come definito in RPC1183. Le chiamate supportate sono: NULL, GET PORT e DUMP.

Nella porta TCP 1024 è implementato un protocollo VXI-11 estremamente semplice, sufficiente solo per il protocollo di individuazione. Implementa le seguenti chiamate: CREATE LINK, DEVICE\_WRITE, DEVICE\_READ e DESTROY\_LINK.

Una volta creato un link, tutte le altre informazioni scritte sul dispositivo vengono ignorate e le eventuali informazioni lette dal dispositivo restituiscono la stringa di identificazione che sarebbe richiesta da un "\*"IDN?" del modulo

*'Manufacturer, Model, Serial No., X.xx – Y.yy' (Costruttore, Modello, N. seriale, X.xx - Y.yy)*

*Per esempio:*

*SORENSEN, XDL 35-5TP, 279730, 1.00 – 1.00*

dove 'X.xx' è la versione del firmware principale e 'Y.yy' è la versione del firmware dell'interfaccia. Il firmware dell'interfaccia è aggiornabile dal campo utente attraverso la porta USB.



---

## VISA Resource Name

A causa del supporto limitato di VXI-11 (solo protocollo di individuazione), lo strumento deve essere indicato con le informazioni sui raw socket quando viene usato in pacchetti software che comunicano tramite VISA Resource Name. Ad esempio, uno strumento all'indirizzo IP 192.168.1.100 ha normalmente un VISA Resource Name "TCPIP0::192.168.1.100::inst0::INSTR", ma per questo strumento il nome deve essere modificato per indicare "TCPIP0::192.168.1.100::9221::SOCKET", dove 9221 è la porta TCP usata dallo strumento per il controllo e il monitoraggio. Vedere di seguito.

## URL documento identificazione XML

Come richiesto dallo standard LXI, lo strumento fornisce un documento di identificazione XML che può essere richiesto tramite GET all'indirizzo "http://<hostname>:80/lxi/identification" conforme allo schema XSD LXI (disponibile all'indirizzo <http://www.lxi-standard.org/InstrumentIdentification/1.0>) e agli standard di schema XML W3C (<http://www.w3.org/XML/Schema>). Questo documento descrive lo strumento.

## Socket TCP

Lo strumento utilizza 2 socket sulla porta TCP 9221 per il controllo e il monitoraggio. I comandi di testo vengono inviati a questa porta, come definito in Comandi remoti" e le risposte vengono inviate attraverso la stessa porta. Ogni stringa deve essere composta da uno o più comandi completi. I comandi possono essere separati dal punto e virgola ";" o da un avanzamento riga. Non occorrono caratteri di fine comando perché la struttura del TCP contiene i comandi completi, pur essendo possibile inviare un carattere di fine comando (che sarà ignorato). Tutti i comandi sul TCP si comportano come se fossero terminati da un carattere di fine comando (carattere ASCII 0AH, line feed).

## Errore LAN

Se si realizza una connessione LAN ma viene individuato un errore (ad es. l'indirizzo IP è identico a quello di un altro dispositivo sulla rete) la spia LAN dello strumento (sopra i misuratori dell'uscita 2) si spegne fino a quando non si corregge l'errore. Qualora si verifichi un errore LAN, verificare e correggere la configurazione dello strumento; è presente un meccanismo LAN Configuration Initialise (LCI) attraverso un interruttore ad incasso sul pannello posteriore (contrassegnato dalla scritta LAN RESET) per resettare lo strumento ai valori predefiniti dal fabbricante. L'impostazione predefinita prevede che lo strumento tenti di ottenere le impostazioni via DHCP se disponibili o, in caso di timeout del DHCP (30 secondi), tramite Auto-IP. Nell'improbabile evento in cui non sia possibile trovare l'indirizzo Auto-IP, viene assegnato l'indirizzo IP statico 192.168.0.100. Qualora non venga individuata alcuna connessione LAN fisica in qualsiasi momento, la spia LAN si spegne.

## Interfaccia GPIB

Il connettore a 24 vie dell'interfaccia GPIB si trova nel pannello posteriore dello strumento. I collegamenti ai pin sono specificati nello standard IEEE 488.1-1987 e lo strumento è conforme agli standard IEEE 488.1-1987 e IEEE 488.2-1987.

## Sottogruppi GPIB

Lo strumento include i sottogruppi IEEE 488.1 riportati di seguito:

Provenienza handshake	SH1
Accettazione handshake	AH1
Apparecchio che trasmette	T6
Apparecchio che riceve	L4
Richiesta di servizio	SR1
Chiamata remota	RL1
Interrogazione ripetuta parallela	PP1
Apparecchio pronto	DC1
Segnale di trigger apparecchio	DT0

## Gestione degli errori GPIB a norma IEEE 488.2 - Registro errori richieste di informazioni

L'errore IEEE 488.2 UNTERMINATED (invito al dialogo senza dati da inviare) viene gestito nel modo seguente. L'errore UNTERMINATED viene generato quando lo strumento è invitato a dialogare con il codice di formattazione risposta inattivo e la coda dati d'ingresso vuota. Questo comporta l'impostazione di un Query Error (errore di domanda) nello Standard Event Status Register (registro andamento eventi ordinari), l'inserimento del valore 3 nel registro del Query Error e il ripristino dell'analizzatore sintattico. Per ulteriori raggugli, vedere la sezione Rapporti di stato.

L'errore IEEE 488.2 INTERRUPTED (interruzione) viene gestito nel modo seguente. Se il codice di formattazione risposte è in attesa d'inviare un messaggio di risposta e l'analizzatore sintattico legge il codice ><PROGRAM MESSAGE TERMINATOR (codice finale messaggio programma) o la coda dei messaggi in entrata contiene più di un messaggio END (fine), lo strumento riceve il codice INTERRUPTED e viene generato un errore. Questo comporta l'impostazione di un bit Query Error nello Standard Event Status Register, l'inserimento del valore 1 nel Query Error Register e il ripristino del codice di formattazione risposte, che svuota la coda dei dati in uscita. L'analizzatore sintattico inizierà poi ad analizzare la sintassi della successiva ><PROGRAM MESSAGE UNIT (elemento di messaggio del programma) dalla coda dei dati in entrata. Per ulteriori raggugli, vedere la sezione Rapporti di stato.

L'errore IEEE 488.2 DEADLOCK (blocco dati) viene gestito nel modo seguente. Qualora il codice di formattazione risposte sia in attesa di inviare un messaggio di risposta e la coda dei dati in entrata sia piena, lo strumento entra nella modalità DEADLOCK e viene generato un errore. Questo comporta l'impostazione di un bit Query Error nello Standard Event Status Register, l'inserimento del valore 2 nel Query Error Register e il ripristino del codice di formattazione risposte, che svuota la coda dei dati in uscita. L'analizzatore sintattico inizierà poi ad analizzare la sintassi della successiva ><PROGRAM MESSAGE UNIT (elemento di messaggio del programma) dalla coda dei dati in entrata. Per ulteriori raggugli, vedere la sezione Rapporti di stato.

## Interrogazione ciclica in parallelo GPIB

Lo strumento è dotato di tutte le funzioni di interrogazione ciclica in parallelo. Il Parallel Poll Enable Register viene impostato per indicare quali bit nello Status Byte Register (registro stato byte) occorre utilizzare per formulare il messaggio locale ist. Il Parallel Poll Enable Register viene impostato dal comando \*PRE <nrf> e letto dal comando \*PRE?. Il valore nel Parallel Poll Enable Register viene aggiunto allo Status Byte Register in configurazione AND; se il risultato è zero, il valore di ist è 0, altrimenti il valore di ist è 1.

Lo strumento deve anche essere configurato di modo che il valore di ist possa essere restituito al controller durante l'operazione d'interrogazione ciclica parallela. Il controller configura lo strumento inviando il comando Parallel Poll Configure (PPC) (configura interrogazione ciclica parallela) seguito dal comando Parallel Poll Enable (PPE) (abilita interrogazione ciclica). I bit nel comando PPE sono riportati di seguito:

bit 7 =	X	privo di significato
bit 6 =	1	abilitazione dell'interrogazione ciclica parallela
bit 5 =	1	
bit 4 =	0	
bit 3 =	Significato	significato della risposta bit; 0 = basso, 1 = alto
bit 2 =	?	posizione bit della risposta
bit 1 =	?	
bit 0 =	?	

---

Per restituire il bit RQS (bit 6 dello Status Byte Register) come 1 quando è vero e come 0 quando è falso nella posizione bit 1 in risposta a un'operazione d'interrogazione ciclica parallela, inviare i comandi seguenti

\*PRE 64<pmt> , poi PPC seguito da 69H (PPE)

La risposta all'interrogazione ciclica parallela proveniente dallo strumento sarà 00H se RQS è 0 e 01H se RQS è 1.

Durante la risposta di interrogazione ciclica parallela, le linee dell'interfaccia DIO hanno una terminazione resistiva (terminazione passiva), che consente a più apparecchi di condividere la stessa posizione dei bit sia in configurazione AND che OR. Per ulteriori raggugli, vedere IEEE 488.1.

## Rapporti di stato

Questa sezione descrive il modello dello stato completo dello strumento. Notare che alcuni registri sono pertinenti al settore GPIB dello strumento e sono utilizzati marginalmente dall'ambiente RS232.

### Registro andamento eventi ordinari e registro attivazione eventi ordinari

Questi due registri vengono redatti in relazione alla norma IEEE 488.2.

I bit impostati nello Standard Event Status Register che corrispondono ai bit impostati nello Standard Event Enable Register comportano l'impostazione del bit ESB nello Status Byte Register.

Lo Standard Event Status Register viene letto e svuotato dal comando \*ESR?. Il registro Standard Event Status Enable si imposta con il comando \*ESE <nrf> e si legge con il comando \*ESE?.

Bit 7 - Accensione. Interviene alla prima accensione dello strumento.

Bit 6 - Non usato.

Bit 5 - Errore di comando. Interviene quando viene rilevato un errore di sintassi in un comando dal bus. Il parser viene reimpostato e l'analisi continua al byte successivo nel flusso di ingresso.

Bit 4 - Errore di esecuzione. Interviene quando si verifica un errore durante l'esecuzione di un comando sottoposto ad analisi sintattica. Il numero dell'errore individuato viene inviato all'Execution Error Register.

1-99 Indica che è stato rilevato un errore hardware.

116 È stato richiesto il richiamo dei dati di configurazione ma la memoria specificata non contiene alcun dato.

117 È stato richiesto il richiamo dei dati di configurazione ma la memoria specificata contiene dati danneggiati. Questo indica la presenza di un guasto hardware o l'alterazione temporanea dei dati, che possono essere corretti riscrivendoli di nuovo in memoria.

120 Il valore numerico inviato con il comando è troppo grande o troppo piccolo. Include i numeri negativi, mentre sono accettati solo i numeri positivi.

123 Un richiamo / memoria di dati configurati è stato richiesto da o verso un numero di memoria non valido.

124 È stata richiesta una modifica del range, ma le attuali impostazioni psu la rendono non valida. Vedere le istruzioni per il funzionamento manuale per ulteriori dettagli.

200 Read Only (Sola lettura): Si è cercato di cambiare le impostazioni dello strumento da un'interfaccia senza disporre dei privilegi di scrittura, vedi la sezione Blocco interfacce.

Bit 3 - Errore timeout di verifica. Interviene quando un parametro è impostato con 'verifica' specificato e il valore non viene raggiunto entro 5 secondi, ad esempio la tensione erogata viene rallentata da un condensatore di grandi dimensioni sull'uscita.

Bit 2 - Errore richiesta di informazioni. Viene impostato quando si verifica un errore in una richiesta di informazioni. Il numero dell'errore individuato viene inviato al Query Error Register.

1 Errore interrotto

2 Errore deadlock

---

3 Errore non terminato

Bit 1 - Non usato.

Bit 0 - Operazione ultimata. Impostare dopo la ricezione del comando\*OPC.

### **Registro andamento eventi limite e registro attivazione eventi limite**

Vengono implementate due coppie di registri come aggiunta alla norma IEEE 488.2. Ciascuna coppia è composta da un Limit Event Status Register e un Limit Status Event Enable Register ad esso associato. Il Limit Event Status Register 1 (LSR1) e il Limit Event Status Enable Register 1 (LSE1) si applicano all'uscita 1. Limit Event Status Register 2 (LSR2) e il Limit Event Status Enable Register 2 (LSE2) si applicano all'uscita 2 e all'uscita ausiliaria. Il loro scopo è informare il controllore di ingresso e / o uscita delle condizioni limite di corrente o tensione attraverso la memorizzazione di una cronologia di condizioni di intervento della protezione dopo l'ultima lettura.

I bit impostati nel Limit Event Status Register che corrispondono ai bit impostati nel Limit Status Enable Register comportano l'impostazione del bit LIM1 o LIM2 nello Status Byte Register.

I Limit Event Status Register 1 e 2 vengono letti ed eliminati rispettivamente dai comandi LSR1? e LSR2? . I Limit Event Status Enable Registers 1 e 2 sono impostati rispettivamente dai comandi LSE1<nrf> e LSE2<nrf> e letti dai comandi LSE1? e LSE2?.

#### **Limit Event Status Register 1**

Bit 7 - non usato

Bit 6 - non usato

Bit 5 - Impostato quando è intervenuto un dispositivo di rilevazione dell'uscita 1

Bit 4 - Impostato quando è intervenuto un dispositivo termico dell'uscita 1

Bit 3 - Impostato quando è intervenuto un dispositivo di protezione contro la sovracorrente dell'uscita 1

Bit 2 - Impostato quando è intervenuto un dispositivo di protezione contro la sovratensione dell'uscita 1

Bit 1 - Impostato quando l'uscita 1 raggiunge il valore massimo di corrente (modalità corrente costante)

Bit 0 - Impostato quando l'uscita 1 raggiunge il valore massimo di tensione (modalità a tensione costante)

#### **Limit Event Status Register 2**

Bit 7 - Impostato quando è intervenuto un dispositivo dell'uscita ausiliaria

Bit 6 - Impostato quando l'uscita ausiliaria raggiunge il valore massimo di corrente.

Bit 5 - Impostato quando è intervenuto un dispositivo di rilevazione dell'uscita 2

Bit 4 - Impostato quando è intervenuto un dispositivo termico dell'uscita 2

Bit 3 - Impostato quando è intervenuto un dispositivo di protezione contro la sovracorrente dell'uscita 2

Bit 2 - Impostato quando è intervenuto un dispositivo di protezione contro la sovratensione dell'uscita 2

Bit 1 - Impostato quando l'uscita 2 raggiunge il valore massimo di corrente (modalità corrente costante)

Bit 0 - Impostato quando l'uscita 2 raggiunge il valore massimo di tensione (modalità a tensione costante)

### **Status Byte Register e Service Request Enable Register**

Questi due registri vengono redatti in relazione alla norma IEEE 488.2.

I bit impostati nello Status Byte Register che corrispondono ai bit impostati nel Service Request

Enable Register comportano l'impostazione del bit RQS/MSS nello Status Byte Register, generando così una Service Request sul bus.

Lo Status Byte Register viene letto dal comando \*STB?, che restituisce MSS in bit 6, o da un Serial Poll (interrogazione ciclica in serie), che restituisce RQS in bit 6. Il Service Request Enable Register viene impostato dal comando \* SRE <nrf> e letto dal comando \*SRE?.

Bit 7 - Non usato.

Bit 6 - RQS / MSS. Questo bit, definito dalla norma IEEE 488.2, contiene sia il messaggio Requesting Service (richiesta servizio) che il messaggio Master Status Summary (sommario stati principali). RQS viene restituito in risposta a una Serial Poll ed MSS in risposta al comando \*STB?

Bit 5 - ESB. Event Status Bit (bit di stato evento). Si imposta se uno dei bit impostati nello Standard Event Status Register corrisponde a un bit impostato nello Standard Event Status Enable Register.

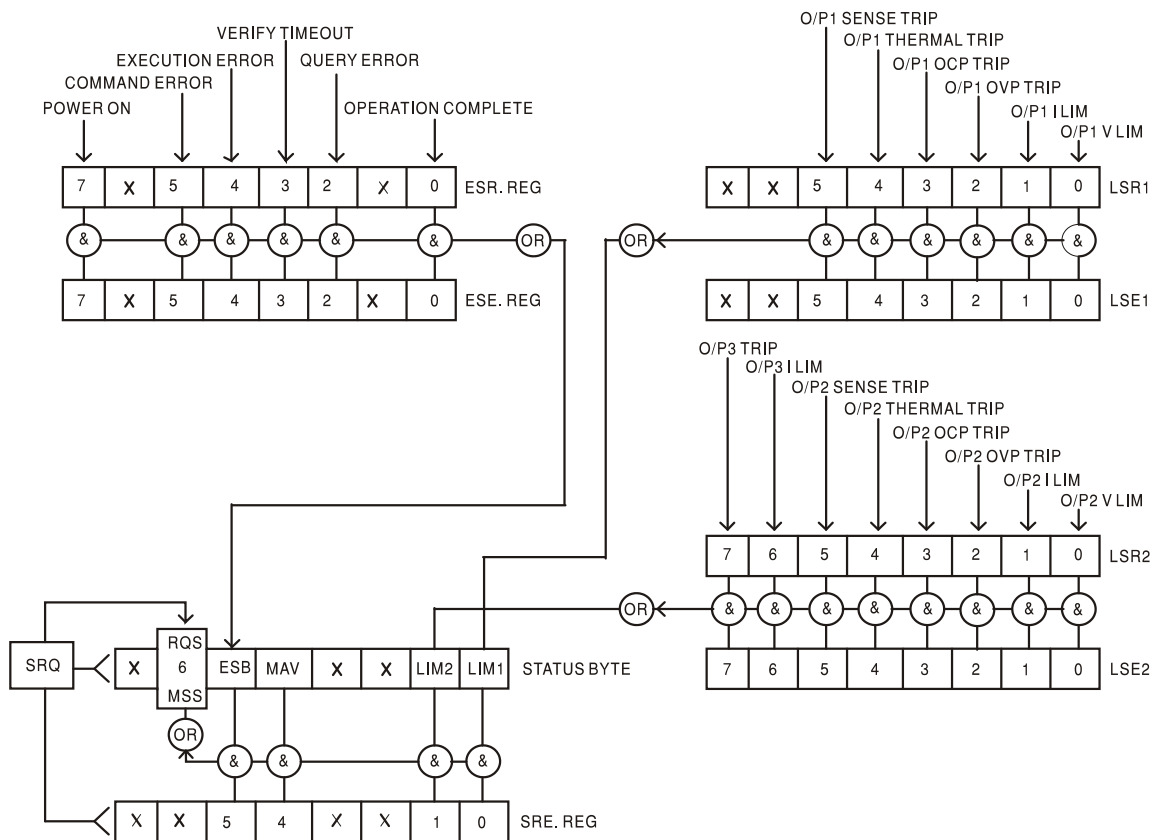
Bit 4 - MAV. Message Available Bit (bit messaggio disponibile). Si imposta quando lo strumento ha un messaggio di risposta formattato e pronto da inviare al controller. Il bit viene eliminato dopo l'invio del Response Message Terminator (carattere finale messaggio di risposta).

Bit 3 - Non usato.

Bit 2 - Non usato.

Bit 1 - LIM2. Viene impostato se è impostato uno dei bit nel Limit Event Status Register 2 e i bit corrispondenti sono impostati nel Limit Event Status Enable Register 2.

Bit 0 - LIM1. Viene impostato se è impostato uno dei bit nel Limit Event Status Register 1 e i bit corrispondenti sono impostati nel Limit Event Status Enable Register 1.



### Modello di stato

(Per i modelli a uscita singola, ignorare LSR2, LSE2 e LIM2)

---

## Impostazioni all'accensione

I seguenti valori di stato dello strumento vengono impostati all'accensione:

Status Byte Register	= 0
Service Request Enable Register †	= 0
Standard Event Status Register	= 128 (set di bit accensione)
Standard Event Status Enable Register †	= 0
Execution Error Register	= 0
Query Error Register	= 0
Parallel Poll Enable Register †	= 0

† I registri contrassegnati da questo simbolo sono pertinenti al settore GPIB dello strumento e sono utilizzati marginalmente da altre interfacce.

Lo strumento funziona nella modalità locale con la tastiera attiva.

I parametri dello strumento all'accensione sono sempre gli stessi presenti allo spegnimento con l'eccezione dello stato delle uscite. Per impostazione predefinita, questo è sempre spento all'accensione, tuttavia l'utente può modificarlo affinché sia lo stesso sia all'accensione che allo spegnimento.

Il comando \*RST (reset) ripristina le impostazioni predefinite per il funzionamento remoto dello strumento.

Le impostazioni predefinite per il funzionamento remoto sono:

$V_{out}=1V$ ,  $I_{out}=1A$ ,  $\Delta V=0mV$ ,  $\Delta I=0mA$  per tutti i modelli.

OVP = 40V e OCP = 5.5A per modelli XDL 35-5; OVP = 60V e OCP = 4.4A per modelli XDL 56-4.

Le impostazioni delle interfacce remote e l'impostazione della modalità operativa dell'uscita all'accensione non vengono modificate dal comando \*RST.

Il telerilevamento è impostato per il funzionamento locale.

## Formato comando remoto RS232/USB

I dati seriali inviati allo strumento vengono accodati in una coda immissione da 256 byte, che viene riempita, tramite segnali di interrupt, in modo trasparente a tutte le altre operazioni dello strumento. Lo strumento invia XOFF quando ci sono circa 200 caratteri nella coda di dati. XON viene inviato quando si rendono disponibili 100 spazi nella coda dopo l'invio di XOFF. Questa coda contiene dati grezzi, non analizzati sintatticamente, che l'analizzatore sintattico preleva quando è necessario. I comandi (e le richieste) vengono eseguiti in ordine e l'analizzatore non inizia l'analisi di un comando nuovo fino a quando non ha completato l'analisi di quelli precedenti. La risposta in modalità RS232 ai comandi o alle richieste è immediata, senza coda di dati in uscita.

L'interfaccia USB è conforme a USB 2.0 Full Speed.

I comandi devono essere inviati come indica l'elenco dei comandi e devono terminare con il codice finale 0AH (Line Feed LF). I comandi possono essere inviati in gruppi e separati dal codice 3BH (;). Il gruppo di comandi deve terminare con il codice 0AH (Line Feed LF).

Le risposte dallo strumento al controller vengono inviate come indica l'elenco comandi. Ciascuna risposta viene terminata con il codice 0DH (Carriage Return CR), seguito dal codice 0AH (Line Feed, LF).

<WHITE SPACE> (spazio vuoto) viene definito come i codici di carattere da 00H a 20H incluso.

<WHITE SPACE> viene ignorato ad eccezione di quando si trova negli identificatori di comando, ovvero '\*C LS' non equivale a '\*CLS'.

Il bit alto di tutti i caratteri viene ignorato.

I comandi non fanno distinzione fra lettere maiuscole e minuscole.

## Formato dei comandi remoti GPIB

I dati GPIB inviati allo strumento vengono accodati in una coda immissione da 256 byte, che viene riempita, tramite segnali di interrupt, in modo trasparente a tutte le altre operazioni dello strumento. Questa coda contiene dati grezzi, non analizzati sintatticamente, che l'analizzatore sintattico preleva quando è necessario. I comandi (e le richieste) vengono eseguiti in ordine e l'analizzatore non inizia l'analisi di un comando nuovo fino a quando non ha completato l'analisi di quelli precedenti. Non c'è una coda per i dati in uscita, il che significa che il codice di formattazione risposta attende, anche per un periodo di tempo indeterminato, fino a quando lo strumento non viene invitato al dialogo e non invia l'intero messaggio di risposta, prima di consentire all'analizzatore sintattico di eseguire il comando successivo nella coda dei dati in entrata.

Il controller invia i comandi come <PROGRAM MESSAGES> (messaggi di programma), e ciascun messaggio è composto dallo zero o da più elementi di <PROGRAM MESSAGE UNIT> (unità messaggi di programma), separati dagli elementi del <PROGRAM MESSAGE UNIT SEPARATOR> (separatore unità messaggi di programma).

Il <PROGRAM MESSAGE UNIT> è uno qualsiasi dei comandi nella lista comandi remoti.

Il <PROGRAM MESSAGE UNIT SEPARATOR> è il carattere di punto-e-virgola: '(3BH).

I <PROGRAM MESSAGES> sono separati dagli elementi del <PROGRAM MESSAGE TERMINATOR> che possono essere uno dei seguenti:

NL	Il carattere new line (0AH) (a capo)
NL^END	Il carattere new line con il messaggio END
^END	Il messaggio END con l'ultimo carattere del messaggio

Le risposte dallo strumento al controller vengono inviate come <RESPONSE MESSAGES> (messaggi di risposta). Un <RESPONSE MESSAGE> è composto da una <RESPONSE MESSAGE UNIT> (unità di messaggio di risposta) seguita da un <RESPONSE MESSAGE TERMINATOR> (codice finale messaggio di risposta).

Il <RESPONSE MESSAGE TERMINATOR> è il carattere di new line con il messaggio END NL^END.

---

Ciascuna domanda genera un particolare <RESPONSE MESSAGE TERMINATOR>, elencato unitamente al comando nell'elenco dei comandi remoti.

<WHITE SPACE> viene ignorato ad eccezione di quando si trova negli identificatori di comando, ovvero '\*C LS' non equivale a '\*CLS'. <WHITE SPACE> è definito come codici di carattere da 00H a 20H compreso, ad eccezione del carattere NL (0AH).

Il bit alto di tutti i caratteri viene ignorato.

I comandi non fanno distinzione fra lettere maiuscole e minuscole.

## Elenco dei comandi

Questa sezione elenca tutti i comandi e le richieste adottate in questo strumento. I comandi sono elencati in ordine alfabetico nei gruppi delle funzioni.

Si noti che non ci sono parametri dipendenti, parametri accoppiati, comandi sovrapposti, elementi di dati di programmazione espressioni o titoli dei programmi comandi composti; ciascun comando viene eseguito prima di avviare il comando successivo. Tutti i comandi sono progressivi e il messaggio operazione completa viene generato sempre, subito dopo l'esecuzione.

Si utilizza la seguente nomenclatura:

<rmt>	<RESPONSE MESSAGE TERMINATOR>
<nrf>	Un numero in qualsiasi formato (ad esempio, 12, 12.00, 1.2 e1 e 120 e-1) viene accettato come numero 12. Qualsiasi numero, una volta ricevuto, viene convertito con la precisione necessaria per l'uso, quindi arrotondato in eccesso per ottenere il valore del comando.
<nr1>	Numero senza parte frazionaria, ovvero numero intero.
<nr2>	Numero espresso con virgola fissa, come 11.52, 0.78 ecc.
<n>	Il numero dell'uscita o il registro di stato a cui si riferisce il comando. Si noti che nelle uscite singole viene sempre restituito <n>=1. Si noti inoltre che <n>= 3 fa riferimento all'uscita AUX. L'uscita AUX ha funzionalità di controllo remoto limitate. Per maggiore chiarezza, i comandi in cui <n>= 3 può essere usato vengono indicati esplicitamente; nelle altre parti, è possibile usare solo <n>= 1 o <n>= 2.

I comandi che iniziano con un asterisco sono quelli indicati dalla norma IEEE 488.2 come comandi comuni. Funzionano quando vengono usati con le altre interfacce, ma alcuni sono di scarsa utilità.

## Comandi specifici dello strumento

Per i comandi indicati come 'WITH VERIFY' (con verifica), l'operazione viene ultimata quando il parametro che viene regolato raggiunge il valore richiesto entro  $\pm 5\%$  o  $\pm 10$  conteggi, il maggiore dei due valori. Se il valore non si stabilizza entro questi limiti entro 5 secondi, il bit Verify Timeout (bit 3) viene impostato nello Standard Event Status Register e l'operazione viene ultimata alla fine del periodo massimo a disposizione.

Il bit Operation Complete (bit 0) nello Standard Event Status Register viene impostato solamente dal comando \*OPC. Il comando \*OPC (o \*OPC?) può essere usato per la sincronizzazione dei dispositivi grazie alla natura sequenziale delle operazioni remote.

Quando l'alimentazione viene utilizzata in modalità LINK, i comandi che impostano valori e range vengono applicati alle uscite 1 e 2 contemporaneamente, indipendentemente che <n> sia impostato su 1 o 2. Quando il comando di verifica richiede la verifica, questa viene ricercata da entrambe le uscite prima che il comando venga completato. Inoltre, i comandi SAV <n> e RCL<n> operano sulla memoria non volatile riservata alle configurazioni con modalità collegate e <n> può essere impostato su 1 o 2 con lo stesso effetto. Si noti comunque che <n> fa parte dell'intestazione del comando e deve essere incluso.

>>V<n <nrf >>Imposta l'uscita <n su <nrf Volt > Per l'uscita AUX <n>=3

>>V<nV <nrf >>Imposta l'uscita <n su <nrf Volt con verifica Per l'uscita AUX <n>=3



---

>>OVP<n <nrf	>>Imposta il punto di intervento della protezione contro la sovratensione dell'uscita <n su <nrf Volt
>>I<n <nrf	>>Imposta il valore massimo di corrente dell'uscita <n su <nrf Ampere
>>OCP<n <nrf	>>Imposta il punto di intervento della protezione contro la sovratensione dell'uscita <n su <nrf Ampere
>V<n?	>Restituisce la tensione impostata dell'uscita <n . >Per l'uscita AUX <n>=3 - La risposta è V <n <nr2<rmt dove <nr2 è espresso in Volt
>I<n?	>>>> Restituisce il limite di corrente impostato dell'uscita <n - La risposta è I <n <nr2<rmt dove <nr2 è espresso in Ampere
>OVP<n?	>>>> Restituisce l'impostazione del dispositivo di tensione dell'uscita <n - La risposta è VP <n <nr2<rmt dove <nr2 è espresso in Volt
>OCP<n?	>>>> Restituisce l'impostazione del dispositivo di corrente dell'uscita <n - La risposta è IP <n <nr2<rmt dove <nr2 è espresso in Ampere
>V<nO?	> Restituisce la tensione di readback per l'uscita <n. >Per l'uscita AUX <n>=3 - La risposta è <nr2V<rmt dove <nr2 è espresso in Volt
>I<nO?	> Restituisce la corrente di readback per l'uscita <n. >Per l'uscita AUX <n>=3 - La risposta è <nr2A<rmt dove <nr2 è espresso in Ampere
>>RANGE<n <nrf	>>> Imposta il range di tensione dell'uscita <n su <nrf, dove <nrf ha il seguente significato: <b>Modelli XDL 35-5:</b> 0=15V(5A), 1=35V(3A), 2=35V(500mA) <b>Modelli XDL 56-4:</b> 0=25V(4A), 1=56V(2A), 2=56V(500mA)
>RANGE<n?	>>>>Restituisce il range di tensione impostato dell'uscita <n - La risposta è R<n <nr1<rmt, dove <nr1 ha il seguente significato: <b>Modelli XDL 35-5:</b> 0=15V(5A), 1=35V(3A), 2=35V(500mA) <b>Modelli XDL 56-4:</b> 0=25V(4A), 1=56V(2A), 2=56V(500mA)
>>DELTA V<n <nrf	Imposta la grandezza del gradino della tensione dell'uscita <n su <nrf Volt > Per l'uscita AUX <n>=3
>>DELTA I<n <nrf	>>Imposta la grandezza del gradino della corrente dell'uscita <n su <nrf Ampere
>DELTA V<n?	>Restituisce la grandezza del gradino della tensione dell'uscita <n >Per l'uscita AUX <n>=3 - La risposta è DELTA V <n <nr2<rmt dove <nr2 è espresso in Volt
>DELTA I<n?	>>>>Restituisce la grandezza del gradino della corrente dell'uscita <n - La risposta è DELTA I <n <nr2<rmt dove <nr2 è espresso in Ampere
>INCV<n	>Aumenta la tensione dell'uscita <n della grandezza del gradino impostata per l'uscita <n Per l'uscita AUX <n>=3
>INCV<nV	>>Aumenta e verifica la tensione dell'uscita <n> della grandezza del gradino impostata per l'uscita <n. Per l'uscita AUX <n>=3
>DECV<n	>>Diminuisce la tensione dell'uscita <n della grandezza del gradino impostata per l'uscita <n. > Per l'uscita AUX <n>=3
>DECV<nV	>>Riduce e verifica la tensione dell'uscita <n> della grandezza del gradino impostata per l'uscita <n. > Per l'uscita AUX <n>=3

---

---

>INCI<n	>>Aumenta il limite di corrente dell'uscita <n della grandezza del gradino impostata per l'uscita <n
>DECI<n	>>Diminuisce il limite di corrente dell'uscita <n della grandezza del gradino impostata per l'uscita <n
>>OP<n <nrf	>>Imposta le modalità on/off dell'uscita <n dove <nrf ha i seguenti significati: 0=OFF, 1=ON Per l'uscita AUX <n=3
>OP<n?	Restituisce lo stato on/off dell'uscita <n>. Per l'uscita AUX <n>=3 La risposta è <nr1><rmt> dove 1 = ON, 0 = OFF.
>OPALL <nrf	>Imposta simultaneamente tutte le uscite su on/off, dove <nrf ha il seguente significato: 0=Tutto OFF, 1=Tutto ON. Se OPALL imposta tutte le uscite su ON, tutte quelle già impostate su ON rimangono su ON. Se OPALL imposta tutte le uscite su OFF, tutte quelle già impostate su OFF rimangono su OFF.
>>SENSE<n <nrf	>>Imposta la modalità di rilevamento dell'uscita <n, dove <nrf ha i seguenti significati: 0 = locale, 1 = remoto
>MODE <nrf	> Imposta la modalità di funzionamento dello strumento su LINK o assegna il controllo all'uscita 1 o 2, dove <nrf ha il seguente significato: 0 = collegato, 1 = assegna il controllo all'uscita 1, 2 = assegna il controllo all'uscita 2.  L'impostazione della modalità collegata influenza in modo univoco il modo in cui lo strumento risponde ad alcuni comandi remoti. I comandi per impostare Range, tensione, limite di corrente, OVP o OCP inviati all'uscita 1 o 2 cambiano l'impostazione su entrambe le uscite contemporaneamente. Allo stesso modo, i comandi di aumento/riduzione inviati a una delle uscite principali impostano il gradino V o I su entrambe le uscite; tuttavia, le dimensioni del gradino sono quelle impostate per la singola uscita. L'assegnazione del controllo alle uscite 1 o 2 causa l'uscita dalla modalità collegata, ma non ha altri effetti finché lo strumento non torna al funzionamento locale.  Qualsiasi modalità di funzionamento messa in funzionamento remoto viene conservata quando lo strumento torna al funzionamento locale.
MODE?	>> Restituisce l'attuale modalità di funzionamento - La risposta è LINKED o CTRL <n (controllo assegnato all'uscita <n)
TRIPRST	Tentativo di annullare tutte le condizioni di intervento dei dispositivi di protezione da tutte le uscite.
LOCAL	Va alla modalità Local.
IFLOCK	Richiesta blocco interfaccia. Questo comando richiede il controllo esclusivo dell'accesso allo strumento. La risposta è 1 se l'esito è positivo o -1 se il blocco non è disponibile perché è già in uso o l'utente ha disabilitato il controllo da parte dell'interfaccia attraverso l'interfaccia web
IFLOCK?	Richiede la modalità operativa del blocco dell'interfaccia. Il valore restituito è 1 se il controllo del blocco è assunto dall'istanza d'interfaccia che lo richiede; 0 se non c'è nessun blocco attivo o -1 se il blocco non è disponibile perché è già in uso o perché l'utente ha disabilitato il controllo ds parte di questa interfaccia attraverso l'interfaccia web.

---

---

IFUNLOCK	<p>Se possibile, sblocca il blocco. In caso di esito positivo, questo comando restituisce il valore 0.</p> <p>In caso di esito negativo di questo comando, viene restituito il valore -1, 200 viene inserito nell'Execution Register e il bit 4 dell'Event Status Register viene impostato per indicare che non è disponibile l'autorità per annullare il blocco.</p>
>LSR<n?	>>>>Interrogazione e svuotamento del LSR<n, limit status register <n La risposta è <nr1<rmt.
>>LSE<n <nrf	>>>Imposta il valore LSE<n, Limit Event Status Enable Register <n, su <nrf
>LSE<n?	>>>Restituisce il valore LSE<n, Limit Event Status Enable Register <n La risposta è <nr1<rmt
>>SAV<n <nrf	<p>Salva la configurazione dell'uscita&gt;&gt;&gt;&lt;n sulla memoria di configurazione specificata da &lt;nrf, dove &lt;nrf &gt; può essere 0-49 per le uscite principali o 0-9 per l'uscita AUX sui modelli TP. Per l'uscita AUX &lt;n&gt;=3</p> <p>Se lo strumento funziona in modalità collegata, l'intera configurazione dello strumento (esclusa l'uscita ausiliaria)&gt;&gt;&gt; viene conservata nella memoria di configurazione della modalità collegata specificata da &lt;nrf. La specifica &lt;n viene ignorata. Questo non ha alcun effetto sulle singole memorie di configurazione PSU &lt;n disponibili fuori dalla modalità collegata</p>
>>RCL<n <nrf	<p>Richiama la configurazione dell' uscita &lt;n&gt; dalla memoria di configurazione specificata da &lt;nrf, dove &lt;nrf può essere 0-49 per le uscite principali o 0-9 per l'uscita AUX sui modelli TP.</p> <p>Per l'uscita AUX &lt;n&gt;=3</p> <p>Se lo strumento funziona in modalità LINK, l'intera configurazione dello strumento (esclusa l'uscita AUX) viene richiamata dalla memoria di configurazione della modalità LINK specificata da &lt;nrf. La specifica &lt;n viene ignorata.</p>

## Comandi di sistema e di stato

*RST	Reimposta lo strumento alle impostazioni predefinite di fabbrica (vedere la sezione Impostazioni predefinite di fabbrica) con l'eccezione di tutte le impostazioni delle interfacce remote.
EER?	>Interroga e svuota l'Execution Error Register. Il formato della risposta è nr1<rmt.
QER?	>Interroga e svuota il Query Error Register. Il formato della risposta è nr1<rmt.
*CLS	Cancella stato. Cancella lo Standard Event Status Register, il Query Error Register e l'Execution Error Register. Cancella indirettamente lo Status Byte Register.
>*ESE <nrf	>Imposta lo Standard Event Status Enable Register sul valore di <nrf
*ESE?	>>>Restituisce il valore nello Standard Event Status Enable Register nel formato numerico <nr1. La sintassi della risposta è <nr1<rmt
*ESR?	>>>Restituisce il valore nello Standard Event Status Register nel formato numerico <nr1. Il registro viene successivamente svuotato. La sintassi della risposta è <nr1<rmt
*IST?	Restituisce il messaggio locale <b>ist</b> >> definito dalla norma IEEE 488.2. La sintassi della risposta è 0<rmt se il messaggio locale è falso oppure 1<rmt se è vero.

---

---

*OPC	Imposta il bit Operation Complete (bit 0) nello Standard Event Status Register. Si verifica subito dopo l'esecuzione del comando perché le operazioni vengono sempre eseguite in ordine progressivo.
*OPC?	>Stato Query Operation Complete. La sintassi della risposta è 1<rmt La risposta viene resa disponibile subito dopo l'esecuzione del comando perché le operazioni vengono sempre eseguite in ordine progressivo.
>*PRE <nrf	>Imposta il Parallel Poll Enable Register sul valore <nrf.
*PRE?	>>>Restituisce il valore nel Parallel Poll Enable Register nel formato numerico <nr1. La sintassi della risposta è <nr1<rmt
>*SRE <nrf	>Imposta il Service Request Enable Register su <nrf.
*SRE?	>>>Restituisce il valore nel Service Request Enable Register nel formato numerico <nr1. La sintassi della risposta è <nr1<rmt
*STB?	>>>Restituisce il valore nello Status Byte Register nel formato numerico <nr1. La sintassi della risposta è <nr1<rmt
*WAI	Attende che Operation Complete assuma il valore vero. Poiché tutti i comandi vengono terminati prima dell'esecuzione dei comandi successivi, questo comando non svolge altre funzioni.

### Comandi vari

*IDN?	>>>>>>Restituisce l'identificazione dello strumento. La risposta precisa dipende dalla configurazione dello strumento e viene espressa nel formato <NAME,<model, 0, <version<rmt dove <NAME è il nome del costruttore, <model il tipo dello strumento e <version il numero della revisione del software installato.
ADDRESS?	>>Restituisce l'indirizzo bus dello strumento. La sintassi della risposta è <nr1<rmt
*TST?	>L'alimentatore PSU non è dotato di funzionalità di autoverifica e la risposta è sempre 0<rmt
*TRG	L'alimentatore PSU non è dotato di funzione trigger.

### Messaggi di errore

Ciascun messaggio di errore ha un numero. Solo questo numero viene indicato attraverso le interfacce di controllo remoto. I numeri dei messaggi di errore non vengono visualizzati ma vengono inseriti nell'Execution Error Register, dove possono essere letti attraverso le interfacce remote; vedi la sezione Rapporti di stato.

---

## Manutenzione

I costruttori o rivenditori internazionali offrono agli utenti un servizio di riparazione di strumenti difettosi. Qualora i proprietari dello strumento desiderino eseguire in sede le operazioni di riparazione, dovranno affidarne l'esecuzione a personale specializzato, previa consultazione della Guida di assistenza, che può essere acquistata direttamente presso i costruttori o i rivenditori internazionali.

### Pulizia

La pulizia dello strumento deve essere eseguita con un panno leggermente inumidito con acqua o detergente neutro.

**AVVERTENZA! ONDE EVITARE SCOSSE ELETTRICHE O DANNEGGIARE LO STRUMENTO, EVITARE TASSATIVAMENTE L'INGRESSO D'ACQUA NELL'INVOLUCRO DELLO STRUMENTO. ONDE EVITARE DI DANNEGGIARE L'INVOLUCRO, NON PULIRLO MAI CON SOLVENTI.**

# Seguridad

Esta fuente de alimentación es un dispositivo de Clase de Seguridad I según la clasificación del IEC y ha sido diseñado para cumplir con los requisitos de la norma EN61010-1 (Requisitos de Seguridad para Equipos Eléctricos para la Medición, Control y Uso en Laboratorio). Es un instrumento de Categoría de Instalación II propuesto para ser usado con un suministro monofásico normal.

Este instrumento ha sido comprobado según la norma EN61010-1 y ha sido suministrado en una condición segura. El manual de instrucciones contiene información y advertencias que deben seguirse para asegurar el empleo seguro por el usuario y para mantener al instrumento en una condición segura.

Este instrumento ha sido diseñado para ser utilizado en el interior en un ambiente de Grado de Polución 2 a temperaturas de entre 5°C y 40°C y una humedad relativa de entre el 20% y el 80% (sin condensación). De manera ocasional puede someterse a temperaturas de entre +5°C y -10°C sin que ello afecte a su seguridad. No hay que ponerlo en funcionamiento mientras haya condensación.

El uso de este instrumento en una manera no especificada por estas instrucciones puede afectar la seguridad protectora provista. El instrumento no debe ser utilizado fuera de su clasificación de voltaje o de su gama ambiental.

## ADVERTENCIA! ESTE INSTRUMENTO DEBE CONECTARSE A TIERRA

Cualquier interrupción del conductor a tierra dentro o fuera del instrumento implicaría que el instrumento resultará peligroso. Está prohibida cualquier interrupción intencional. La acción protectora no debe negarse por el uso de una extensión de cable sin conductor protector.

Cuando el instrumento está conectado a su suministro es posible que queden sin protección elementos bajo tensión y la abertura de tapas o el retiro de piezas (salvo las accesibles por la mano) pueden dejar expuestos a elementos bajo tensión. Si se tuviera que efectuar alguna operación de ajuste, cambio, mantenimiento o reparación es necesario desconectar al instrumento de todas las fuentes de tensión.

Los capacitores dentro del aparato pueden permanecer cargados aún cuando las fuentes de tensión hayan sido desconectadas, pero quedarán seguramente descargadas a 10 minutos de haber desconectado la corriente.

Todo ajuste, mantenimiento o reparación del instrumento abierto bajo tensión debe ser evitado en lo posible, pero si fuera ineludible, estos trabajos deben ser realizados exclusivamente por un personal cualificado consciente del riesgo que implican.

Si el instrumento fuera claramente defectuoso, hubiera sido sometido a un daño mecánico, a humedad excesiva o a corrosión química, su protección de seguridad puede fallar y el aparato debe dejarse de usar y devolverse para su comprobación y reparación.

Asegurar que sólo se empleen fusibles de la clasificación y tipo especificados para todo recambio. Está prohibido utilizar fusibles improvisados así como cortocircuitar el portafusibles.

El instrumento no debe humedecerse al ser limpiado. Los símbolos que aparecen a continuación se utilizan en el instrumento y en este manual:-



Terminal a tierra



alimentación principal ON (conectada)



alimentación principal OFF (desconectada)



corriente continua (cc)

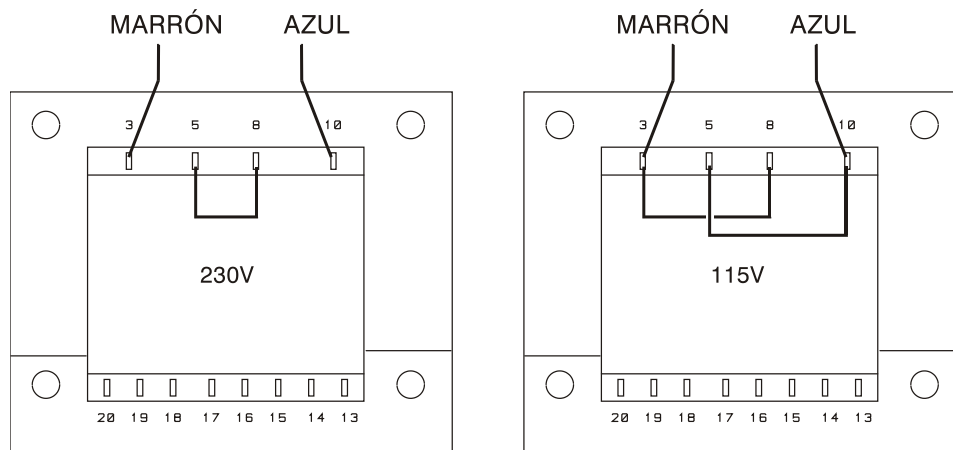


corriente alterna (ca)

# Instalación

Compruebe que el voltaje de funcionamiento del instrumento indicado en el panel posterior es adecuado para el suministro eléctrico local. Si es necesario cambiar el voltaje de funcionamiento, realice lo siguiente:

- 1) Desconecte el instrumento de todas las fuentes de voltaje.
- 2) Extraiga los tornillos que sujetan la tapa superior y levante la tapa.
- 3) Cambie las conexiones en ambos transformadores según el diagrama correspondiente mostrado a continuación:



- 4) Vuelva a montar la tapa y fíjela con los mismos tornillos.
- 5) Para satisfacer los requisitos de seguridad, se debe cambiar el voltaje de funcionamiento indicado en el panel posterior con el fin de indicar claramente el nuevo ajuste de voltaje.
- 6) Cambie los tres fusibles por otros con la capacidad correcta. Véase la sección siguiente.

## Fusible

El fusible de CA está situado en el compartimento de fusible en la parte inferior del conector de entrada IEC. Para cambiar el fusible, quite el cable y abra el compartimento de fusibles con una herramienta adecuada.

*XDL 35-5, XDL 35-5P, XDL 56-4 y XDL 56-4P*

El tipo de fusible correcto es de 20 x 5 mm, 250 V HBC retardado, con el régimen siguiente:

Para funcionamiento a 230 V: 1,6A (T) 250V HBC

Para funcionamiento a 115 V: 3,15A (T) 250V HBC

*XDL 35-5T, XDL 35-5TP, XDL 56-4T y XDL 56-4TP*

El tipo correcto de fusible de corriente es de 20 x 5 mm 250 V HBC retardado con el régimen siguiente:

Para funcionamiento a 230 V: 2A (T) 250V HBC

Para funcionamiento a 115 V: 4A (T) 250V HBC

Además de esto, los dos transformadores están individualmente protegidos mediante fusibles instalados en el suministro de energía. Para obtener acceso a estos fusibles, deberá retirar la cubierta como se describe previamente; ambos de estos fusibles están alojados en la pequeña PCB (placa de circuito impreso) instalada directamente en las patillas del propio conector de entrada IEC.

Asegúrese de que cuando se sustituyan los fusibles se utilicen fusibles del régimen de corriente correcto y del tipo especificado. No se permite utilizar fusibles provisionales ni realizar el cortocircuitado de los portafusibles.

---

## Cable de alimentación

Conecte el instrumento a la toma de la red eléctrica por medio del cable de alimentación incluido. En caso de que la toma requiera de un enchufe distinto, este deberá contar con su correspondiente tomacorriente y un conector IEC60320 C13 en el extremo del instrumento. Para determinar la tensión nominal mínima del conjunto del cable y enchufe adecuada para la toma en cuestión, consulte la información sobre tensión nominal en el aparato o en las Especificaciones.

### ¡ATENCIÓN! ESTE EQUIPO DEBE CONECTARSE A TIERRA.

Cualquier interrupción del conductor a tierra dentro o fuera del instrumento implicaría que el instrumento resultará peligroso. Está prohibida cualquier interrupción intencional.

## Montaje

Este instrumento se puede utilizar en un banco o montar en un soporte. Se suministra con patas para el montaje en banco. Las patas delanteras incluyen un mecanismo inclinable para ajustar el ángulo óptimo del panel.

El fabricante o sus agentes internacionales puede suministrar un kit de soporte para montar los suministros de corriente de la Serie XDL. El soporte permitirá acomodar 1, 2 ó 3 unidades individuales, o una unidad triple y una unidad individual. También existe disponible una pieza de obturación para las posiciones que no se utilizan en el soporte.

## Ventilación

El suministro de corriente está refrigerado por un ventilador inteligente de varias velocidades que ofrece ventilación en la parte posterior. Tenga cuidado de no obstruir las entradas de aire en los paneles laterales o en la salida en la parte posterior. Cuando el instrumento esté montado en soporte, deje un espacio suficiente alrededor del instrumento y/o utilice una bandeja de ventilador para una refrigeración por aire forzado.


---

# Conexiones

## Conexiones del panel frontal

Las cargas se deben conectar a los terminales positivo (rojo) y negativo (negro) con la marca OUTPUT 1 (Salida 1), OUTPUT 2 (Salida 2) o AUX (Auxiliar).

Si es necesario, las conexiones de detección remota en las cargas en la Salida 1 ó 2 se realizan desde los terminales correspondientes REMOTE SENSE (Detección Remota) positivo (+) y negativo (-). El funcionamiento de la detección remota se selecciona desde el teclado o a través de la interfaz de control remoto (sólo modelos P); La luz REMOTE SENSE se enciende cuando se selecciona la detección remota. Si se desconecta la detección remota, el instrumento regresará a la detección local en los terminales de salida.

El terminal  se conecta al bastidor y a la toma de tierra de seguridad.

## Conexiones del panel posterior

### Terminales de salida principal (sólo modelos P)

Los terminales de salida y detección están duplicados en el bloque de terminales roscados del panel posterior y tienen la marca Output +, Output -, Sense + y Sense - ; estas conexiones se corresponden con los equivalentes del panel frontal.

El funcionamiento de la detección remota se selecciona desde el teclado o a través de la interfaz de control remoto. Cuando se utilizan los terminales del panel posterior, siempre deberá estar seleccionada la detección remota para garantizar que se mantiene la regulación de la salida dentro de las especificaciones. Alarm Outputs

Los terminales de salida y detección están duplicados en el bloque de terminales roscados del panel posterior y tienen la marca Output +, Output -, Sense + y Sense - ; estas conexiones se corresponden con los equivalentes del panel frontal.

El funcionamiento de la detección remota se selecciona desde el teclado o a través de la interfaz de control remoto. Cuando se utilizan los terminales del panel posterior, siempre deberá estar seleccionada la detección remota para garantizar que se mantiene la regulación de la salida dentro de las especificaciones.

---

---

## Terminales de salida auxiliar (sólo modelos T)

Los terminales AUX OUTPUT (Salida Auxiliar) del panel frontal están duplicados en el panel posterior con terminales sin rosca con la marca AUXILIARY OUTPUT.

## Salidas de alarma

Cada salida principal tiene asociado un conector de dos pines alojado en un hueco y marcado con la palabra Alarm. Cada uno de ellos proporciona acceso a un transistor de conmutación NPN optoacoplado, cuya función puede configurarse desde el teclado; consulte la sección «Salida de alarma» de este manual.

El voltaje máximo de operación que puede aplicarse a los terminales es de 20 V CC y la máxima corriente de colector para el cierre del conmutador es de 1 mA.



No aplique voltajes externos superiores a 30 V CC entre los terminales.

## RS232 (sólo modelos P)

Conector D hembra de nueve patillas con la siguiente disposición. Puede conectarse a un puerto de PC estándar mediante un cable macho-hembra con todos los hilos 1 a 1 sin cruzar:

Patilla	Nombre	Descripción
1	RI	Señal pasiva (+V a través de 10 k $\Omega$ )
2	TXD	Datos transmitidos del instrumento
3	RXD	Datos recibidos en el instrumento
4	CTS	
5	GND	Toma de tierra de señal
6	RTS	Señal pasiva (+V a través de 10 k $\Omega$ )
7	DSR	Sin conexión interna
8	DTR	
9	CD	Sin conexión interna

La señal de tierra va conectada a la tierra del instrumento.

## USB (sólo modelos P)

El puerto USB está conectado a la tierra del instrumento. Es compatible con USB 2.0 (Full Speed) y acepta un cable USB estándar. Las funciones plug-and-play de Windows deberían reconocer automáticamente que el instrumento ha sido conectado. Si no se encuentra el controlador correcto, siga los mensajes en pantalla de Windows e instale los archivos necesarios desde el CD adjunto.

## LAN (sólo modelos P)

La interfaz LAN está diseñada para adecuarse a la versión 1.2 del protocolo LXI (Lan eXtensions for Instrumentation). El instrumento está homologado como clase C y es posible manejarlo de forma remota a través de la interfaz LAN mediante un protocolo de sockets TCP/IP. Además, contiene un servidor web básico que brinda información acerca de la unidad y permite configurarla. Puesto que cabe la posibilidad de configurar incorrectamente la interfaz LAN, de forma que resulte imposible conectarse con el instrumento a través de tal medio, se dispone de un mecanismo de inicialización de la configuración LAN (LCI) que permite reiniciar la unidad a los valores de fábrica mediante la pulsación de un interruptor protegido, ubicado en el panel trasero (marcado LAN RESET).

El apartado «Funcionamiento remoto» proporciona más detalles. Para más información acerca de la norma LXI consulte [www.lxistandard.org/home](http://www.lxistandard.org/home)

## GPIB (sólo modelos P)

Las tomas de tierra de la señal GPIB se encuentran conectadas a la tierra del instrumento. Los subconjuntos implementados son:

SH1 AH1 T6 TE0 L4 LE0 SR1 RL2 PP1 DC1 DT0 C0 E2

La dirección GPIB se fija desde el panel frontal.



---

# Funcionamiento inicial

Esta sección del manual es una introducción general a los controles y el funcionamiento del instrumento, y debe leerse antes de conectar el suministro eléctrico por primera vez.

En este manual, las teclas del panel frontal, las conexiones y los indicadores de pantalla se muestran en mayúsculas, ej. STORE (Guardar), ESCAPE (Cancelar), OUTPUT (Salida), JOG (Cambiar). Los mensajes mostrados en la pantalla de 7 segmentos se indican en un tipo de fuente distinto, ej.: **Store**, **GPiB**, **trip** en mayúsculas o minúsculas con el fin de representar los caracteres según se muestran en la pantalla de 7 segmentos.

## Encendido, Encendido/Apagado de la salida

El interruptor de corriente está situado en la parte inferior izquierda del panel frontal.

En el encendido, la acción predeterminada es restablecer los ajustes del instrumento a los ajustes que se guardaron automáticamente cuando se apagó, aunque con todas las Salidas desconectadas. Sin embargo, el usuario puede cambiar el ajuste predeterminado, como restablecer Salidas seleccionadas a su estado en el momento del encendido. Consulte la sección Funciones adicionales.

Las salidas CC se conmutan electrónicamente con sus teclas correspondientes ON/OFF. La tecla se enciende cuando la salida está activada. Además, todas las salidas se pueden activar y desactivar de forma conjunta con las teclas ALL ON y ALL OFF.

## Encendido/Apagado sincrónico de la salida (sólo modelos T)

Si se pulsa ALL OFF en cualquier momento de desconectarán de forma sincrónica todas las salidas que están conectadas. Bajo las mismas condiciones de carga, las salidas se desactivarán normalmente en menos de 1ms entre éstas. La tecla ALL OFF se encenderá en verde cuando todas las salidas están desconectadas. Si se pulsa la tecla ALL ON cuando todas las salidas están desconectadas, se conectarán de forma sincrónica todas las salidas. Las salidas con ajustes y condiciones de carga idénticos se conectarán normalmente en menos de 1 ms entre éstas. Sin embargo, si una salida están ya conectada, al pulsar ALL ON se conectarán las salidas restantes, aunque el retardo de conexión entre las salidas serán de 80 ms, incluso con los mismos ajustes y condiciones de carga.

## Teclado

Aquí se describen únicamente los principios de funcionamiento. El ajuste de los parámetros individuales se indica detalladamente en las secciones posteriores.

La consideración principal en el diseño de la interfaz de usuario ha sido que los ajustes de cambio sean lo más 'seguros' posibles (es decir, con un riesgo mínimo de aplicar accidentalmente voltajes excesivos en un sistema final) y que el uso sea sencillo. Esto se ha conseguido solicitando al usuario que confirme (OK) los nuevos ajustes numéricos, con la opción de utilizar ESCAPE en cualquier punto o incluso detener el proceso hasta que se supera el tiempo asignado de funcionamiento y el instrumento regresa a sus valores originales.

Además, un zumbador, teclas iluminadas, indicadores LED y mensajes de pantalla guían o advierten al usuario, de forma que los errores de control se reducen al mínimo. Cuando algunas de estas funciones (ej.: pitidos o indicadores parpadeantes) no sean necesarios por los usuarios habituales, pueden ser desactivadas. Véase la sección 'Funciones adicionales'.

En los modelos de salida triple (T), la capacidad para cambiar los ajustes desde el teclado o con los controles Jog está asignada a la Salida 1, Salida 2 o a las dos mediante las teclas 1, 2 o LINK ◀ CONTROL ▶ respectivamente. La tecla (1 ó 2) asociada con la salida seleccionada se enciende para mostrar qué salida está bajo control. En el modo LINK, (ambas teclas están encendidas) las dos salidas se controlan al mismo tiempo, incluyendo algunas operaciones como RANGE, STORE, RECALL y V x A. Las descripciones adicionales indicadas a continuación se aplican a cualquier salida principal o a las dos, al ajuste indicado por el encendido de las teclas ◀ CONTROL ▶.

En condiciones normales, el teclado numérico está desactivado. Si se pulsa una tecla el zumbador emitirá un doble pitido, lo que indicará un acción no permitida. Para ajustar un voltaje o corriente con el teclado, pulse la tecla NUMERIC SET (Ajuste numérico) V o I; la pantalla

---

correspondiente mostrará 0.000V o 0.000A con el dígito a la izquierda de la coma decimal parpadeando. Los dígitos se introducen como respuesta al indicador parpadeante, junto con la coma decimal en el momento adecuado, y la entrada de datos se confirma con la tecla OK. Si no se pulsa OK antes de los 10 segundos de la última tecla numérica, la entrada se cancela y la pantalla regresa a su ajuste original. Si se pulsa ESCAPE en cualquier momento del procedimiento de entrada de datos, la entrada se cancela y la pantalla regresa a su ajuste original.

La tecla OK se utiliza para confirmar la mayoría de entradas del teclado. En todos los demás casos, será la tecla VIEW V/I LIMITS (Ver límites V/I), y al pulsarla hará que la pantalla muestre el voltaje de salida preajustado y el límite de corriente durante 3 segundos. Durante este período parpadeará el indicador LIM en la pantalla.

Al pulsar SHIFT se encenderá la tecla y dará a las teclas numéricas las funciones marcadas encima (ej.: STORE, RECALL, etc.). Cuando se selecciona una función pulsando una de estas teclas, se cancela SHIFT (la tecla SHIFT ya no se enciende). Las pulsaciones de teclas adicionales necesarias para completar la función seleccionada se describen detalladamente en las secciones siguientes. Si no se pulsa ninguna tecla dentro de los 10 segundos para terminar la función, ésta finalizará como si se hubiera pulsado ESCAPE. SHIFT es una tecla conmutable; si se pulsa de nuevo SHIFT cuando se ha seleccionado cancelará SHIFT. SHIFT también se cancela mediante ESCAPE, o pulsando SET V o SET I. Tenga en cuenta que en el modo LINK, los ajustes accedidos por STORE y RECALL son específicos del modo LINK, y se añaden a los ajustes accesibles cuando STORE y RECALL se utilizan en salidas seleccionadas individualmente.

## Cambio

El control giratorio jog (cambio) permite aumentar o disminuir el voltaje de salida o el límite de corriente en pasos con una resolución ajustada a través de las teclas JOG SET (Ajuste de cambio). La salida se indica inmediatamente después del ajuste, es decir, no se requiere confirmación mediante OK.

En el encendido, el cambio está siempre apagado. Para cambiar el ajuste de voltaje o corriente, pulse la tecla JOG SET V o I. La tecla se encenderá y el indicador JOG bajo el dígito que se ha modificado por última vez parpadeará. Cuando la tecla JOG SET V o I está encendida, cada vez que se pulsa la tecla V o I desplazará el indicador JOG un dígito a la izquierda; la selección 'retorna', de forma que cuando se ha alcanzado el mayor valor del incremento, la siguiente vez que se pulsa regresará a su valor inferior. La posición predeterminada en el encendido está bajo el dígito menos significativo, es decir, se selecciona el incremento inferior de cambio.

Si se gira el control giratorio de cambio en el sentido de las agujas del reloj o en el sentido contrario, aumentará o disminuirá el dígito seleccionado. Los dígitos a la

izquierda del que se cambia aumenta o disminuye automáticamente cuando se alcanza el punto de exceso/insuficiencia de década. Los dígitos a la derecha del que se cambia siguen igual a menos que el paso de cambio supere o no llegue al máximo/mínimo de voltaje, en cuyo caso se ajustan a cero. En el XDL 35-5, por ejemplo, 33,65V se ajusta en 34,65V se ajusta en 35,00V para el régimen 35V y un incremento de cambio de 1V; 0,160A se ajusta en 0,060A se ajusta en 0,001A para una disminución de cambio de 0,1A.

Los pasos que se pueden seleccionar para el rango principal son 1mV, 10mV, 100mV y 1mA, 10mA, 100mA. Si se ha seleccionado el régimen de 500mA, los pasos de incremento de corriente son 0,1mA, 1mA, 10mA.

Para desactivar el control giratorio de cambio, pulse la tecla JOG SET OFF. Si se vuelve a seleccionar JOG SET V o I se activará el cambio en la posición del último dígito utilizado. El cambio no se cancela con una entrada numérica ni con ninguna de las funciones SHIFT, aunque está desactivada mientras dicha función está activada.

En el modo de voltaje constante con la salida activada, la pantalla derecha mostrará la corriente real en lugar del límite de corriente. Si se selecciona JOG SET I, el indicador JOG bajo el dígito seleccionado parpadeará a la mitad de velocidad (parpadeo lento). Para observar el efecto de cambiar el límite de corriente, será necesario desactivar la salida (para que la pantalla muestre permanentemente el límite de corriente) o pulsar VIEW V/I LIMITS, lo que hará que se muestre el

---

límite de corriente hasta 3 segundos después de que se termine el movimiento del control de cambio. El parpadeo lento también se utiliza cuando se ha seleccionado JOG SET V. El voltaje real se mostrará porque el suministro está en el límite de corriente.

El ajuste predeterminado de fábrica es que el indicador JOG parpadea bajo el dígito seleccionado durante todo el momento que dicho cambio está seleccionado, de forma que el usuario siempre sabe qué parámetro se puede aumentar o disminuir. Cuando el usuario no considere adecuado que se le recuerde esto, a través de la opción Funciones adicionales puede hacer que parpadee el propio dígito. Por otra parte, cuando el parpadeo es intrusivo, el usuario puede hacer que no parpadee el indicador JOG (excepto cuando se muestra el parpadeo lento).

## **Pantalla**

Las pantallas muestran el voltaje a la izquierda (5 dígitos) y la corriente a la derecha (4 dígitos) para las salidas principales. Estas pantallas de 7 segmentos también se utilizan para mostrar mensajes durante algunos ajustes de funciones (ej.: almacenamiento/recuperación de memoria o ajuste de dirección de control remoto) mediante el 'conjunto de caracteres' limitados que se pueden obtener con una pantalla de 7 segmentos. Estos conjuntos son necesariamente una mezcla de letras en mayúsculas y minúsculas.

Por encima y por debajo de la pantalla de 7 segmentos existen varios indicadores 'secretos hasta que estén encendidos'. A la derecha, por encima de la pantalla actual, están los indicadores que muestran el régimen de funcionamiento seleccionado: 35V/3A, 15V/5A o 35V/500mA. Los indicadores se encienden bajo el régimen impreso inmediatamente por encima de ellos y, en el caso del régimen 35V/500mA, el indicador tiene la marca mA para destacar que la pantalla de corriente muestra ahora mA. Los otros indicadores por encima de la pantalla son los siguientes: CI, que indica que el instrumento está en modo de corriente constante; LIM, que parpadea cuando se pulsa la tecla VIEW V/I LIMITS para mostrar el voltaje/límite de corriente ajustado en la pantalla; REM, que se enciende cuando el instrumento se controla desde una interfaz remota (sólo modelos P), y LAN, que indica el estado de la conexión a la interfaz LAN (sólo modelos P).

Debajo de los tres dígitos menos significativos de las pantallas de voltaje y corriente están los indicadores JOG; el indicador correspondiente parpadea cuando se utiliza la función Jog (cambio). Véase la sección Control Jog (cambio) anterior.

La pantalla de Output 1 puede usarse alternativamente para mostrar el voltaje y la corriente de la salida AUX (sólo modelos T). La sección «Salida auxiliar» contiene los detalles completos.

---

# Funcionamiento manual

Los nuevos usuarios deben leer el capítulo Funcionamiento inicial que describe los principios de funcionamiento del teclado y el control giratorio Jog (cambio). Los párrafos siguientes muestran el funcionamiento independiente de las Salidas principales. Para seleccionar qué salida se va a controlar por el teclado/controles Jog, en primer lugar es necesario seleccionar dicha salida pulsando la tecla correspondiente ◀ CONTROL ▶ (1 o 2). La tecla se ilumina para mostrar que es la salida seleccionada.

Las características adicionales disponibles en los modelos de salida triple (T) mediante el modo LINK (ambas Salidas principales seleccionadas) se describen en la sección Salidas principales – Modo Enlace que se describe más adelante en este manual.

## Voltaje ajustado

La pantalla izquierda muestra el voltaje ajustado con una resolución de 1mV, excepto cuando el instrumento está en modo de corriente constante (CI). En el modo CI, se mostrará el voltaje de salida real (que será inferior al voltaje ajustado) y la resolución de pantalla será de 10 mV. El dígito menos significativo (resolución de 1 mV) siempre se muestra como cero.

El voltaje se puede ajustar directamente desde el teclado numérico; pulse la tecla NUMERIC SET V, introduzca el nuevo valor con las teclas numéricas y confirme con OK. Los principios básicos de la entrada de datos con el teclado se describen en el capítulo Funcionamiento inicial, el cual debe ser leído por los nuevos usuarios.

Cuando se pulsa SET V la pantalla muestra 0-000. A continuación deberá introducir un nuevo voltaje (ej.: 12,345V se introduce como 1, 2, ., 3, 4, 5) y confirmarlo con OK. La posición de la coma decimal en la pantalla es fija para reducir el riesgo de introducir un valor incorrecto. Como consecuencia, y con el fin de evitar tener que introducir ceros iniciales (ej.: 2,345V se introduce como 2, ., 3, 4, 5, OK), los números situados a la izquierda de la coma decimal son ligeramente diferentes a los números a la derecha de la coma decimal durante la introducción de números. Esto se hace evidente durante la introducción de números.

El ajuste mínimo de voltaje es de 0,000V; el ajuste máximo para el XDL 35-5 es de 35,000V (15,000V en el régimen 15V/5A) o de 56,000V (25,000V en el régimen 25V/4A) para el XDL 56-4. Si pulsa OK en cualquier momento, se ajustará el voltaje introducido con todos los dígitos restantes ajustados en cero, ej.: 1, 2, ., 3, OK ajustará 12,300V; 1, OK ajustará 1,000V. Si se pulsa OK inmediatamente después de SET V (mientras la pantalla muestra 0-000V), ajustará 0,000V.

Si se pulsa ESCAPE en cualquier momento durante la secuencia, o no se pulsan más teclas después de 10 segundos de pulsar la anterior, la pantalla regresará a su lectura original antes de pulsarse SET V.

Si se introduce un voltaje fuera del régimen máximo (incluso intentar introducir 3 dígitos antes de la coma decimal) o se intenta introducir más de 5 dígitos, hará que el zumbador emita dos pitidos. La última acción de tecla será ignorada.

El voltaje también se podrá ajustar con el control de cambio (Jog). Si se pulsa JOG SET V se encenderá la tecla V y parpadeará el indicador JOG bajo el dígito que se haya cambiado por última vez. Mientras esté encendida la tecla V, cada vez que se pulse moverá el indicador JOG un dígito a la izquierda. La selección 'retorna', de forma que cuando se alcance el valor más alto del incremento, la siguiente vez que se pulse cambiará al más bajo. La posición predeterminada en el encendido está bajo el dígito menos significativo, es decir, se selecciona el incremento de cambio más bajo. Los intervalos de cambio que se pueden seleccionar son 1mV, 10mV y 100mV.

Con el cambio (jog) activado, el voltaje de salida se puede aumentar o disminuir con el control giratorio de cambio con una resolución de paso indicada por la posición del indicador JOG parpadeante. La salida se indica inmediatamente después del ajuste, es decir, no se requiere confirmación mediante OK. Si la salida se ajusta en modo de corriente constante (el indicador CI parpadea) la pantalla izquierda mostrará el voltaje real, no el voltaje ajustado. Si se selecciona JOG SET V, el indicador JOG bajo el dígito seleccionado parpadeará a mitad de velocidad (parpadeo lento). Para observar el efecto de cambiar el voltaje ajustado, será necesario desconectar la salida (para que la pantalla muestre permanentemente el voltaje ajustado) o

---

pulsar VIEW V/I LIMITS lo que provoca que se muestre el voltaje ajustado hasta 3 segundos después de que se detenga el movimiento del control de cambio (jog).

Tenga en cuenta que en el modo de corriente constante, el voltaje real se mide y muestra solamente con una resolución de 10mV; el dígito de 1mV muestra permanentemente cero.

Se pueden obtener más detalles del control de cambio en el capítulo Funcionamiento inicial.

## Límite de corriente ajustado

Con la salida desactivada, la pantalla derecha muestra el límite de corriente con una resolución de 1mA (0,1mA en el régimen de 500mA).

El límite de corriente se puede ajustar directamente desde el teclado numérico; pulse la tecla NUMERIC SET I, introduzca el nuevo valor con las teclas numéricas y confirme con OK. Los principios básicos de la entrada de datos con el teclado se describen en el capítulo Funcionamiento inicial, el cual debe ser leído por los nuevos usuarios.

Cuando se pulsa SET I la pantalla muestra 0,000. A continuación deberá introducir un nuevo voltaje (ej.: 1,234A se introduce como 1, ., 2, 3, 4,) y confirmarlo con OK. La posición de la coma decimal en la pantalla es fija para reducir el riesgo de introducir un valor incorrecto. Como consecuencia, y con el fin de evitar tener que introducir ceros iniciales (ej.: 0,234A se introduce como ., 2, 3, 4, OK), los números situados a la izquierda de la coma decimal son ligeramente diferentes a los números a la derecha de la coma decimal durante la introducción de números. Esto se hace evidente durante la introducción de números.

El ajuste mínimo de corriente es de 0,001A (0,1mA en el régimen 500mA); el ajuste máximo es de 3,000A, 5,000A o 500,0mA (XDL 35-5) o 2,000A, 4,000A o 500,0mA (XDL 56-4), según el régimen, es decir, no hay capacidad de desbordamiento.

Si pulsa OK en cualquier momento, se ajustará la corriente introducida con todos los dígitos restantes ajustados en cero, ej.: 1, ., 2, OK ajustará 1,200A; 1, OK ajustará 1,000A. Si se pulsa OK inmediatamente después de SET I (mientras la pantalla muestra 0-000A), ajustará 0-001A.

Si se pulsa ESCAPE en cualquier momento durante la secuencia, o no se pulsan más teclas después de 10 segundos de pulsar la anterior, la pantalla regresará a su lectura original antes de pulsarse SET I.

Si se introduce un voltaje fuera del régimen máximo (incluso intentar introducir 2 dígitos antes de la coma decimal) o se intenta introducir más de 4 dígitos, hará que el zumbador emita dos pitidos. La última acción de tecla será ignorada.

El límite de corriente también se puede ajustar con el control de cambio (Jog). Si se pulsa JOG SET I se encenderá la tecla I y parpadeará el indicador JOG bajo el dígito que se haya cambiado por última vez. Mientras esté encendida la tecla I, cada vez que se pulse moverá el indicador JOG un dígito a la izquierda. La selección 'retorna', de forma que cuando se alcance el valor más alto del incremento, la siguiente vez que se pulse cambiará al más bajo. La posición predeterminada en el encendido está bajo el dígito menos significativo, es decir, se selecciona el incremento de cambio más bajo. Los intervalos de cambio que se pueden seleccionar son 1mA, 10mA y 100mA (0,1mA, 1mA y 10mA en el régimen de 500mA).

Con el cambio (jog) activado, el límite de corriente se puede aumentar o disminuir con el control giratorio de cambio con una resolución de paso indicada por la posición del indicador JOG parpadeante. La salida se indica inmediatamente después del ajuste, es decir, no se requiere confirmación mediante OK. La salida en la pantalla derecha muestra la corriente real, no el límite de corriente (excepto en el modo de corriente constante). Si se selecciona JOG SET I, el indicador JOG bajo el dígito seleccionado parpadeará a mitad de velocidad (parpadeo lento). Para observar el efecto de cambiar el límite de corriente ajustado, será necesario desconectar la salida (para que la pantalla muestre permanentemente el voltaje ajustado) o pulsar VIEW V/I LIMITS, lo que provoca que se muestre el límite de corriente ajustado hasta 3 segundos después de que detenga el movimiento del control de cambio (jog).

---

## Salida de corriente instantánea

El control de límite de corriente se puede ajustar para limitar la corriente de salida continua a niveles de hasta 1mA (0,1 mA en el régimen 500mA). Sin embargo, comúnmente a todos los suministros de corriente en banco de precisión, un condensador está conectado a la salida para mantener la estabilidad y una respuesta transitoria correcta. Este condensador se carga en el voltaje de salida, y el cortocircuitado de la salida generará un impulso de corriente cuando el condensador se descarga, lo cual es independiente del ajuste del límite de corriente.

## Selección de régimen

El instrumento incorpora tres regímenes: 35V/3A, 15V/5A y 35V/500mA (XDL 35-5) o 56V/2A, 25V/4A y 56V/500mA (XDL 56-4). El régimen seleccionado se muestra con un indicador encendido debajo del título correspondiente situado en el lateral superior derecho del instrumento. Cuando está seleccionado el régimen de 500mA, el texto del indicador es mA para indicar que el medidor de corriente muestra ahora miliamperios y no amperios.

Para cambiar el régimen, pulse SHIFT seguido de ◀ RANGE o RANGE ▶ ; cada vez que se pulsa ◀ RANGE se seleccionará el siguiente régimen a la izquierda; cada vez que se pulsa RANGE ▶ se seleccionará el siguiente régimen a la derecha. No hay 'retorno'. Cuando se cambia el régimen, el indicador que representa el nuevo régimen y la tecla OK parpadearán. Al pulsar OK se ajustará el nuevo régimen. Para salir sin cambiar el régimen, pulse ESCAPE. Si se pulsa otra tecla en el modo de cambio de régimen, el zumbador emitirá dos pitidos y no se realizará ninguna otra acción. Si no se pulsa OK antes de los 10 segundos desde que se pulsó por última vez la tecla de cambio de régimen, la selección de régimen no cambiará.

El régimen sólo se puede cambiar cuando la salida está desconectada. Si se pulsan las teclas ◀ RANGE o RANGE ▶ con la salida activada, parpadeará la tecla ON/OFF de salida (así como la tecla OK). La salida se puede desconectar con la tecla ON/OFF y el régimen se puede cambiar pulsando OK, o bien se puede pulsar OK directamente, en cuyo caso la salida se desconecta automáticamente y se puede cambiar el régimen.

Si un cambio de régimen provoca que un voltaje o límite de corriente sobrepase el máximo correspondiente del nuevo régimen, el cambio de régimen se aceptará, aunque el ajuste se igualará al máximo del nuevo régimen.

Tenga en cuenta que el ajuste de OVP no cambia cuando se cambia el régimen (ej.: un ajuste de OVP de 38V permanece válido en el régimen 15V). Si es necesario, el usuario podrá cambiar de forma independiente el ajuste de OVP.

## Ajustes de la salida: bloqueo del panel frontal

Para evitar cambios accidentales de la configuración de salida en un montaje en bastidor o banco de trabajo, los controles del panel frontal Range, Voltage, Current Limit, OVP y OCP pueden bloquearse y desbloquearse mediante llamadas sucesivas a la función #33; consulte la sección «Funciones adicionales». La tecla de salida ON/OFF se mantiene desbloqueada, al igual que la selección de detección remota. El bloqueo del panel frontal sigue activo durante el modo de control remoto (sólo modelos P), pero es ignorado por los comandos remotos.

En los modelos de triple salida, la tensión de salida AUX también permanece bloqueada cuando están bloqueados los ajustes de Output 1 pero, sin embargo, las teclas ◀ CONTROL ▶ se encuentran desbloqueadas. Todas las salidas se bloquearan y desbloquearán al unísono en caso de emplear #33 en el modo Link; consulte los apartados «Salida auxiliar» y «Salidas principales-modo enlace».

## Conexión a la carga

La carga debe conectarse a los terminales OUTPUT positivo (rojo) y negativo (negro). Los dos son totalmente libres y se pueden conectar a la toma de tierra.

## Detección remota

El instrumento tiene una impedancia de salida muy baja aunque, inevitablemente, ésta aumenta por la resistencia de los cables de conexión. En corrientes elevadas, esto puede ocasionar diferencias significativas entre el voltaje primario indicado y el voltaje real de carga (por ejemplo, dos cables de conexión de 20mΩ disminuirán 0,2V a 5 Amps). Este problema se puede

---

minimizar utilizando cables de conexión cortos y gruesos, aunque cuando sea necesario se puede solucionar completamente utilizando la capacidad de detección remota.

Esto requiere conectar los terminales de detección a la salida en la carga en lugar de en la fuente. Introduzca los cables en los terminales de muelle REMOTE SENSE y conéctelos directamente en la carga.

Seleccione la detección remota pulsando SHIFT, SENSE. La tecla OK parpadea y la luz situada por encima de los terminales de detección remota se encienden para mostrar que se seleccionará la detección remota cuando se pulsa OK. Pulse OK para confirmar y ESCAPE para salir sin cambiar el estado. La detección remota se desactiva pulsando de nuevo SHIFT, SENSE.

La tecla OK parpadea y la luz de detección remota se apaga para indicar que la detección remota se restablecerá cuando se pulse OK. Pulse OK para confirmar y ESCAPE para salir sin cambiar el estado.

Para evitar la inestabilidad y problemas de respuesta transitoria, se debe tener cuidado para garantizar un correcto acoplamiento entre cada salida y cable de detección. Esto se puede realizar uniendo los dos cables o utilizando un cable coaxial blindado (detección a través del interior). También puede ser ventajoso instalar un condensador electrolítico directamente en el punto de conexión de carga.

La caída de voltaje en cada cable de salida no debe ser superior a 0,5 voltios.

Los modelos P disponen de terminales de salida y detección en el panel posterior para cuando se utilice el instrumento en un soporte. Los terminales de detección del panel posterior siempre se deben utilizar con las conexiones de salida del panel posterior.

### **Desconexión por error de conexión de la detección**

La salida se desconectará si el voltaje entre un terminal de salida y su correspondiente terminal de detección sobrepasa aproximadamente 1V. Esto tendrá lugar si los cables de detección se conectan en la carga en la salida incorrecta o si se intenta extraer corriente de los cables de detección.

Si los terminales de detección están conectados incorrectamente de esta forma, la pantalla muestra el mensaje **SENSE trip** y la salida se desconecta. Si se pulsa ESCAPE en este punto se borrará el mensaje y la pantalla mostrará el voltaje preajustado y el límite de corriente. Cuando se haya corregido la causa de la desconexión, la salida se puede conectar de nuevo.

### **Conexión en serie o paralelo con otras salidas**

Las salidas de alimentación son totalmente libres y se pueden utilizar en serie con otras unidades de alimentación para generar voltajes elevados de hasta 300 V CC.

El voltaje máximo admisible entre cualquier terminal y la toma de tierra () es de 300 V CC.

**¡ATENCIÓN!** Estos voltajes son muy peligrosos y se debe tener mucho cuidado de proteger los terminales de salida para este uso. Bajo ninguna circunstancia se deben tocar los terminales de salida cuando se conecta la unidad para dicho uso. Todas las conexiones en los terminales se deben hacer con la alimentación desconectada en todas las unidades.

Debe tenerse en cuenta que la unidad sólo puede generar corriente y no puede absorberla, por lo que las unidades no se pueden conectar en serie en antifase.

La unidad se puede conectar en paralelo con otras unidades para generar corrientes más grandes. Cuando se conecten varias unidades en paralelo, el voltaje de salida será igual que el de la unidad con el mayor ajuste de voltaje de salida, hasta que la corriente extraída sobrepase su ajuste de límite de corriente; en este punto la salida disminuirá hasta el siguiente ajuste más alto y así sucesivamente. En el modo de corriente constante, las unidades se pueden conectar en paralelo para ofrecer una corriente igual a la suma de los ajustes de límite de corriente.

Tenga en cuenta que los terminales de salida tienen un régimen máximo de 15A. Si se utilizan varias salidas en paralelo para generar corrientes más grandes que ésta, la conexión se debe realizar en un punto separado, y no en uno de los terminales.

### **Protección de sobrevoltaje**

La protección de sobrevoltaje (OVP) se puede ajustar entre 1,0 V y 40 V (XDL 35-5) o 60 V (XDL 56-4). Si el voltaje de salida sobrepasa la OVP ajustada, la salida se cerrará automáticamente

---

---

(normalmente a los 100 $\mu$ s), evitándose así daños en el circuito que se está comprobando. El circuito de OVP ofrecerá protección contra ajustes de voltajes excesivos accidentales desde el panel frontal o a través de las interfaces de control remoto, contra voltajes externos en los terminales de salida, o contra un fallo en los circuitos de control del propio instrumento.

Para ajustar la OVP, pulse SHIFT, OVP; el indicador JOG con el paso 100mV parpadeará y el control giratorio de cambio (jog) se podrá utilizar para aumentar o disminuir el ajuste de OVP en pasos de 100mV. Pulse OK para confirmar el nuevo ajuste. Para salir sin introducir un nuevo valor, pulse ESCAPE. El ajuste predeterminado de fábrica es 40,0V (XDL 35-5) o 60V (XDL 56-4).

Si se desconecta la OVP, la pantalla mostrará el mensaje **OVP trip** y la salida se desconectará. Si se pulsa ESCAPE en este punto, se borrará el mensaje y la pantalla mostrará el voltaje preajustado y el límite de corriente. Cuando se haya eliminado la causa del OVP (o se haya cambiado el límite de OVP), la salida se podrá conectar de nuevo.

Tenga en cuenta que el ajuste de OVP no cambia cuando se cambia el régimen (ej.: para el XDL 35-5, un ajuste de OVP de 38V permanece válido en el régimen 15V). Si es necesario, el usuario podrá cambiar de forma independiente el ajuste de OVP.

También es posible y válido ajustar la OVP por debajo del voltaje ajustado. Si el suministro está en modo de corriente constante, el voltaje de salida estará por debajo del voltaje ajustado. La OVP se puede ajustar de forma que esté por encima del voltaje real de salida y por debajo del voltaje ajustado. Esto se puede utilizar para desconectar la salida bajo una condición de fallo que ha ocasionado un aumento de la impedancia de carga y un aumento consiguiente del voltaje real de salida por encima del punto de OVP.

### **Protección de sobrecorriente**

La protección de sobrecorriente (OCP) se puede ajustar entre 0,01A y 5,5A (XDL 35-5) o 4,4A (XDL 56-4). Si la corriente de salida sobrepasa la OCP ajustada, la salida se cerrará automáticamente (normalmente a los 35ms).

Para ajustar la OCP, pulse SHIFT, OCP; el indicador JOG con el paso 10mA parpadeará y el control giratorio de cambio (jog) se podrá utilizar para aumentar o disminuir el ajuste de OCP en pasos de 10mA. Pulse OK para confirmar el nuevo ajuste. Para salir sin introducir un nuevo valor, pulse ESCAPE. El ajuste predeterminado de fábrica es 5,50A (XDL 35-5) o 4,4A (XDL 56-4).

Si se desconecta la OCP, la pantalla mostrará el mensaje **OCP trip** y la salida se desconectará. Si se pulsa ESCAPE en este punto, se borrará el mensaje y la pantalla mostrará el voltaje preajustado y el límite de corriente. Cuando se haya eliminado la causa del OCP (o se haya cambiado el límite de OCP), la salida se podrá conectar de nuevo.

Al igual que con la OVP, tenga en cuenta que el ajuste de OCP no cambia cuando se cambia el régimen.

También es posible y válido ajustar la OCP por debajo del límite de corriente ajustado. Por ejemplo, el suministro eléctrico se puede utilizar para comprobar repetidamente una unidad bajo prueba, lo cual normalmente exige una corriente máxima de, por ejemplo, 2 amperios. Sin embargo, una unidad bajo prueba que sea defectuosa requerirá una corriente de más de 2 amperios y resultará dañada si se deja en un estado de corriente limitada de 2 amperios. En este caso, el límite de corriente se puede ajustar en 2,1A, por ejemplo, y la OCP se puede ajustar en 2,0A para garantizar que una unidad bajo prueba defectuosa desconectará el suministro eléctrico.

### **Protección de salida**

Además de la OVP y OCP que ofrecen una protección adicional de sobrevoltaje y sobrecorriente, la salida está protegida contra voltajes inversos mediante un diodo. La corriente inversa continua no debe sobrepasar los 3 amperios, aunque las corrientes transitorias pueden ser mucho mayores.

### **Potencia de salida (V x A)**

Si se pulsa SHIFT, V x A, el voltaje muestra el producto del voltaje de salida medido x la corriente medida y la pantalla de corriente muestra **UA**; la lectura de la potencia de salida se actualiza



---

continuamente a la tasa normal de medición. El modo Output Power se cancela pulsando de nuevo ESCAPE o V x A. Jog se desactiva provisionalmente (y los indicadores JOG se desactivan) durante la visualización de V x A.

### Desconexión de temperatura

Si se sobrepasa el límite de seguridad de temperatura interna, por ejemplo, porque se han bloqueado los orificios de ventilación del ventilador, la salida se desconecta y la pantalla mostrará **OTP trip**. Si se pulsa ESCAPE en este punto se ejecutará una de las siguientes acciones:

- i. Si se ha eliminado ya la condición de sobretemperatura, el mensaje se borrará y la pantalla mostrará el voltaje preajustado y el límite de corriente. Si se ha solucionado la causa de la sobretemperatura, la salida se podrá conectar de nuevo.
- ii. Si el instrumento está aún por encima del límite de seguridad de temperatura, el mensaje **OTP trip** parpadeará lentamente hasta que se haya enfriado el instrumento. En este punto la pantalla mostrará de nuevo el voltaje preajustado y el límite de corriente. Si se ha solucionado la causa de la sobretemperatura, la salida se podrá conectar de nuevo.

### Salida de alarma

El conector embutido de 2 clavijas en el panel posterior se conecta directamente a un transistor de conmutación NPN optoacoplado (clavija 1 emisor, clavija 2 captador) que se conecta (ej.: 'cierre' de conmutador) según las condiciones especificadas en la sección 'Funciones adicionales' descrita a continuación. El estado predeterminado es de cierre de conmutador para cualquier condición de desconexión (OVP, OCP, SENSE, OTP). El voltaje máximo de circuito abierto admisible en el conmutador es de 30 V CC y la corriente nominal absorbida para el cierre del conmutador es de 1mA.

### Ajustes de almacenamiento

El instrumento puede almacenar 50 configuraciones para cada salida en memoria no volátil. Los parámetros son régimen, voltaje, límite de corriente, OVP y OCP. El estado de salida y el ajuste de detección remota no se almacenan. Además, se pueden guardar otras 50 configuraciones más para el modo Link. Consulte la sección «Salidas principales - modo enlace».

Para almacenar una configuración, pulse SHIFT, STORE; la pantalla muestra **sto.** en el lado izquierdo, con el número de memoria (de 0 a 49) y su estado (**E** si está vacía o **F** si está llena) en el lado derecho. En este punto, la función SHIFT se cancela (el piloto se apaga). El número de memoria (de 0 a 49) puede fijarse directamente desde el teclado numérico o mediante el control Jog, aumentando y reduciendo el número mostrado; el indicador JOG bajo el número de memoria parpadea para indicar que el control Jog se encuentra activo. Fije el número de memoria deseado mediante cualquiera de los dos métodos y pulse OK para guardar la configuración y regresar a la pantalla que indica V e I. La función de almacenamiento puede seguir usándose con los ajustes de salida bloqueados por medio de la función #33. Una memoria completa se puede sobrescribir con los nuevos ajustes. En cualquier momento antes de pulsar la tecla OK, se puede salir de la función de almacenamiento sin guardar un ajuste pulsando ESCAPE o esperando 10 segundos desde la última entrada de datos.

### Eliminar los ajustes almacenados

Cualquier memoria se puede reajustar en 'vacía' de la forma siguiente: seleccione la memoria pulsando SHIFT, STORE, y fije el número de memoria deseado mediante el teclado numérico o el control Jog según se ha descrito anteriormente; a continuación pulse **•**. La pantalla muestra **dEL** en lugar de **sto**, p. ej., **dEL 29 F**. Al pulsar OK se eliminará el contenido de la memoria. Todas las configuraciones de salida almacenadas pueden borrarse simultáneamente usando la función #98. Consulte la sección «Funciones adicionales».

### Ajustes de recuperación

Para recuperar un ajuste, primero pulse SHIFT, RECALL; ahora la pantalla mostrará **rEC.** a la izquierda y el número de memoria (de 0 a 49) y su estado (**E** para memoria vacía o **F** para memoria llena) a la derecha, según se seleccione cada memoria bien mediante el control Jog o utilizando el teclado numérico (de la misma forma que al almacenarlos). En este punto se cancela la función SHIFT (el piloto se apaga). Si la memoria seleccionada está llena (**F**), la

---

pantalla pasa a mostrar una previsualización de los valores V e I de dicha memoria; pulse OK para recuperar los ajustes de la memoria y retornar a la pantalla que muestra V e I. Si la memoria seleccionada está vacía (E), la pantalla muestra ----- parpadeando para indicarlo. No es posible recuperar una memoria vacía (al pulsar OK se escuchará un aviso sonoro); bien seleccione una memoria llena o pulse ESCAPE para salir del modo de Recall. Este modo no puede emplearse si la salida ha sido bloqueada.

En cualquier momento antes de pulsar la tecla OK, se puede salir de la función de recuperación sin recuperar un ajuste pulsando ESCAPE o esperando 10 segundos desde la última entrada de datos.

Los ajustes se pueden recuperar con la salida activada o desactivada. Sin embargo, si el ajuste recuperado implica un cambio de régimen, la salida se desconectará para evitar cualquier 'perturbación'. Después de pulsar SHIFT, RECALL y seleccionar el número de memoria, la tecla ON/OFF parpadeará (junto con la tecla OK) si la recuperación implica un cambio de régimen. La salida se puede desconectar con la tecla ON/OFF y la recuperación se podrá completar pulsando OK, o bien se puede pulsar OK directamente, en cuyo caso la salida se desconecta automáticamente y se completará la recuperación.

### Funciones adicionales

El usuario puede ajustar variaciones de algunas funciones predeterminadas de fábrica utilizando la opción de funciones adicionales. Cada cambio de función, que se detallan en la lista siguiente, se accede pulsando SHIFT, #, nn, donde nn es el número de 2 dígitos de la lista; la pantalla cambia a **HASH No. \_** tras SHIFT, # y el zumbador emitirá un pitido de confirmación cuando se haya introducido el número de 2 dígitos. Como se indica en el primer párrafo de esta sección, las funciones # se pueden configurar de forma independiente (es decir, de forma diferente) para cada salida principal. Sin embargo, tenga en cuenta que las funciones #02, #03 y #21 que se aplican a la Salida auxiliary sólo se pueden ajustar cuando ◀ CONTROL ▶ se asigna a la Salida 1.

Los ajustes de cada salida principal pueden bloquearse y desbloquearse de forma independiente utilizando #33 con el ◀ CONTROL ▶ asignado a la salida correspondiente; en los modelos T, los ajustes AUX también se bloquean o desbloquean al bloquear o desbloquear la salida 1. Los ajustes de todas las salidas se bloquean y desbloquean conjuntamente en caso de que se utilice #33 con el ◀ CONTROL ▶ fijado en modo LINK.

Nº de código	Función
00	Salida principal siempre desactivada en el encendido (ajuste predeterminado de fábrica)
01	El estado de la Salida principal en el encendido es el mismo que cuando se apagó por última vez
02	Salida auxiliar (sólo modelos T) siempre desactivada en el encendido (ajuste predeterminado de fábrica). Se ajusta con el control asignado a la Salida 1.
03	El estado de la Salida auxiliar (sólo modelos T) en el encendido es el mismo que cuando se apagó por última vez. Se ajusta con el control asignado a la Salida 1.
20	Salida de alarma 'abierta' para la Salida principal desactivada, 'cerrada' para la Salida principal activada
21	Salida de alarma 'cerrada' cuando la Salida auxiliar está en el Límite de corriente. Se ajusta con el control asignado a la Salida 1; se aplica sólo a la alarma de la Salida 1.
22	Salida de alarma 'cerrada' cuando se produce una desconexión de sobretensión
23	Salida de alarma 'cerrada' cuando se produce una desconexión de detección

- 
- 24 Salida de alarma 'cerrada' cuando se produce una desconexión de sobrecorriente
  - 25 Salida de alarma 'cerrada' cuando se produce una desconexión de sobrevoltaje
  - 26 Salida de alarma 'cerrada' cuando se produce cualquier desconexión (ajuste predeterminado de fábrica)
  - 30 Zumbador desconectado
  - 31 Zumbador conectado (ajuste predeterminado de fábrica). Un solo pitido indica la confirmación y un pitido doble indica una entrada de datos incorrecta.
  - 33 Ajustes de bloqueo y desbloqueo. Tenga en cuenta que los ajustes de la salida AUX están bloqueados con la salida 1.
  - 40 El dígito de cambio (jog) parpadea; el indicador JOG sólo parpadea cuando el cambio está 'oculto'
  - 41 El indicador JOG parpadea siempre, excepto cuando está 'oculto' (ajuste predeterminado de fábrica),
  - 42 El indicador JOG no parpadea, excepto cuando está 'oculto' (parpadeo lento)
  - 91 Carga los parámetros de calibración predeterminados. Consulte el Manual de mantenimiento.
  - 92 Muestra el número de versión de firmware en la pantalla
  - 93 Ajusta estos ajustes de número al valor predeterminado de fábrica
  - 94 Carga los ajustes predeterminados de fábrica (ver debajo)
  - 98 Borra todas las memorias de configuración de salida. La salida AUX siempre se borra con la salida 1. En el modo LINK, borra todas las memorias de todos los modos (salida 1, salida 2, AUX y LINK).
  - 99 Accede al modo de calibración. Consulte la guía de servicio.

### Ajustes predeterminados de fábrica

Los ajustes predeterminados de fábrica (que se aplican cuando se enciende el instrumento por primera vez) son los siguientes:

Régimen:	35V/3A
Voltaje:	1,000V
Límite de corriente:	1,000A
OVP:	40V
OCP:	5,5A
Salida:	Salida desconectada; Detección local
Ajustes de número:	00 Salida principal siempre desactivada en el encendido
	02 Salida auxiliar siempre desactivada en el encendido (sólo una función # de la Salida 1).
	26 Salida de alarma 'cerrada' cuando se produce cualquier desconexión
	31 Zumbador conectado
	41 El indicador JOG parpadea siempre; parpadeo lento cuando está oculto
RS232:	9.600 baudios (sólo versiones P)
Dirección:	11 (sólo versiones P)

---

## Mensajes de error

Los siguientes errores de hardware se indican con el número de error correspondiente en la pantalla. La tecla OK parpadeará y, si se pulsa, el error se ignorará y el funcionamiento continuará de la forma descrita.

Nº error	Descripción del error	Acción al pulsar OK
1	Las constantes de calibración están dañadas en el encendido	Carga los parámetros de calibración predeterminados
2	# funciones dañadas en el encendido	Carga los ajustes # predeterminados
3	Los ajustes de apagado no están cargados correctamente en el encendido	Carga los ajustes de encendido predeterminados de fábrica

Si se apaga el instrumento con los mensajes de error mostrándose, no se modificarán los ajustes.

## Salidas principales– Modo Enlace (sólo modelos T)

El modo Enlace se selecciona pulsando la tecla LINK, y los parámetros principales de las dos Salidas principales se ajustan de forma conjunta; cuando se ha seleccionado el modo Enlace, se encenderán las teclas ◀ CONTROL ▶ (1 y 2) para mostrar que ambas salidas están seleccionadas.

Los párrafos siguientes sólo describen las diferencias entre el funcionamiento independiente y con enlace; los párrafos se deben leer junto con los párrafos correspondientes de la sección Salidas principales.

### Funcionamiento del modo Link (con enlace) – Descripción general

El control de las dos salidas principales se puede “enlazar” de tal forma que los cambios se apliquen en ambas salidas simultáneamente. Puede haber varias razones para desear hacer esto:

#### 1. Conexión en serie o paralelo

Es posible que el usuario desee crear una salida con el doble del voltaje o de la capacidad de corriente. Consulte la sección ‘Conexión en serie o en paralelo con otras salidas’ en la página 15. El modo Link (con enlace) ofrece un medio cómodo para controlar las dos salidas cuando están conectadas en serie o en paralelo.

#### 2. Control de voltajes (o corrientes)

En el modo Link, el Ajuste Numérico ajustará voltajes y/o corrientes iguales en las dos salidas. El control de las salidas se puede enlazar con voltajes y/o corrientes diferentes ajustadas en las salidas. El uso del control Jog realizará cambios iguales en las dos salidas.

#### 3. Recuperación simultánea de ajustes almacenados

Cada salida tiene su propio conjunto de 50 memorias. Sin embargo, en el modo Link, existe disponible un conjunto adicional de 50 memorias que permiten almacenar ajustes para ambas salidas. Los voltajes y las corrientes se pueden ajustar individualmente para cada salida, y el control se puede ajustar en el modo Link antes de almacenar. Los ajustes guardados se podrán recuperar en ambas salidas simultáneamente. El uso de #98 en el modo Link borrará todas las memorias de las tres salidas en los tres modos. Consulte la sección «Funciones adicionales».

**Nota:** Los ajustes actuales de la Salida 1 se pueden duplicar en la Salida 2 mediante la función Copiar, antes o después del enlace.

En el modo Link, las funciones de control están limitadas a Ajustar Régimen, Ajustar Voltios y Ajustar Corriente (Ajuste Numérico y Ajuste Jog), además de Almacenar y Recuperar. OVP, OCP y Dirección no se pueden cambiar mientras se está en el modo con enlace. El Control de activación/desactivación de cada salida es individual cuando se está en el modo Link. Para activar/desactivar las salidas de forma conjunta, se deben utilizar los botones ALL ON/ALL OFF, los cuales son independientes del modo Link.

El uso de #33 en el modo Link bloqueará o desbloqueará el control desde el panel frontal de forma simultánea en las tres salidas.

---

## Selección del modo Enlace

La única limitación cuando se selecciona el modo Enlace es que ambas Salidas principales deben estar ajustadas con el mismo régimen; en particular, las salidas se pueden conectar incluso si sus ajustes de voltaje de salida y de límite de corriente son diferentes. Si se pulsa LINK cuando se ajustan regímenes diferentes, los zumbadores sonarán dos veces y el indicador de régimen de la salida no seleccionada anteriormente parpadeará durante 2 segundos.

Al seleccionar el modo Enlace se cancelará cualquier selección Jog (cambio) ajustada en la Salida principal.

## Ajustar voltaje y ajustar límite de corriente

Ajustar el voltaje de salida y el límite de corriente mediante la entrada numérica o el control Jog es prácticamente lo mismo que para las salidas en el modo independiente. Si se utiliza la entrada numérica, las dos salidas se ajustarán con el mismo nuevo voltaje y límite de corriente, con independencia de los ajustes realizados cuando se conectaron las salidas. Tenga en cuenta que puede haber una diferencia de tiempo limitada entre los cambios de las dos salidas, incluso si se cambian desde el mismo ajuste inicial; normalmente, esta diferencia de tiempo no debe ser superior a 40ms (80ms máx). Sin embargo, si los ajustes han sido diferentes cuando se conectaron las salidas, al cambiar el voltaje o el límite de corriente con el control Jog se mantendrá la diferencia entre las dos salidas aumentando/disminuyendo cada salida por el mismo intervalo, es decir, las salidas se 'seguirán'. El 'seguimiento' se mantendrá hasta que una de las salidas alcance el límite de régimen. En este momento, cada intervalo de Jog hará que suene el zumbador para dicha salida (aunque la salida seguirá en el límite de régimen), mientras que la salida de régimen interior seguirá cambiando, es decir el 'seguimiento' se detiene y las salidas convergen con cada intervalo sucesivo. Si se invierte el incremento/disminución, la nueva diferencia (más pequeña) entre las salidas se mantiene hasta que una salida alcance el límite de régimen en la otra dirección.

Si se sale del modo Enlace mientras Jog está seleccionado, Jog seguirá estando activo en la salida seleccionada.

## Guardar y recuperar

En el modo Enlace, existen disponibles 50 memorias no volátiles, que son independientes de las 50 memorias de cada salida en el modo independiente. Los parámetros almacenados son Régimen, Voltaje, Límite de corriente, OVP y OCP. El funcionamiento en el modo Enlace es idéntico al descrito en las secciones Guardar, Recuperar y Eliminar de la sección Salidas principales; los mensajes de pantalla mostrados en estas secciones se muestran en ambas pantallas cuando el modo Enlace está seleccionado.

## OVP, OCP y Dirección

OVP, OCP y Dirección sólo se pueden ajustar cuando un canal se selecciona independientemente. Los ajustes se mantienen cuando está seleccionado el modo Enlace; OVP y OCP se pueden guardar como parte de una configuración del modo Enlace, pero no así el ajuste de Detección. Si se intenta cambiar OVP, OCP o Dirección cuando está ajustado el modo Enlace, la pantalla de la Salida 1 parpadeará con el mensaje `SELCt 1or2` para recordar al usuario que estos parámetros deben ajustarse independientemente para cada canal. Pulse ESCAPE para cancelar la pantalla parpadearante, asigne el control al canal correspondiente con las teclas ◀ CONTROL ▶ 1 o 2 keys y ajuste OVP, OCP, o Dirección, de la forma descrita para las salidas individuales.

## Potencia de salida

Al pulsar SHIFT, V x A se mostrará simultáneamente la potencia de salida de ambas salidas en sus pantallas correspondientes (V x A en la pantalla de voltaje, **UA** en la pantalla de corriente), de forma idéntica a la descrita para el funcionamiento independiente.

## Funciones adicionales

Las funciones # descritas en la sección Funciones adicionales de la sección Salidas principales también se puede ajustar cuando el instrumento está en el modo Enlace; ambas pantallas mostrarán **HASH No. \_** después de pulsar SHIFT, #. Cualquier función # ajustada de esta forma será la misma para ambas salidas. Sin embargo, las funciones # pueden ser diferentes

---

para cada salida si se ajustan individualmente cuando el modo independiente está ajustado, y se mantendrá la selección de funciones para cada salida incluso cuando las salidas están en el modo Enlace.

### Tipo de bus y Dirección/Velocidad en baudios

El Tipo de bus, la Dirección y la Velocidad en baudios sólo se pueden seleccionar cuando se asigna el control a la Salida 2. La pantalla de la Salida 2 se utiliza para mostrar los parámetros que se están ajustando, de forma idéntica a la descrita en el funcionamiento independiente. Si se intenta ajustar estos parámetros en el modo Enlace, o con la Salida 1 seleccionada, la pantalla de la Salida 1 parpadeará con el mensaje **SELCT P.U.\_2** como instrucción para seleccionar la Salida 2. Pulse Escape para borrar el indicador de pantalla (o espere a que se supere el tiempo asignado), y luego seleccione la Salida 2.

### Salidas principales– Función Copiar (sólo modelos T)

Los ajustes principales de la Salida 1 se pueden copiar a la Salida 2 mediante la función Copiar, con independencia del modo de ◀ CONTROL ▶ (1, 2 o LINK) seleccionado actualmente. Los parámetros copiados son Régimen, Voltaje, Límite de corriente, OVP y OCP; el estado de Dirección, ON/OFF, Jog y los contenidos almacenados con Guardar no se copian.

Si se pulsa SHIFT, COPY 1>2, los ajustes de Voltaje, Corriente y Régimen de la Salida 1 parpadearán en las pantallas de la Salida 2. La tecla OK también parpadeará. Al pulsar OK confirma e ejecuta la función Copiar; al pulsar ESCAPE en este momento se saldrá de la función.

Si la función Copiar ocasiona un cambio de régimen en la Salida 2, y si la Salida 2 está activada (ON), la tecla ON/OFF de la Salida 2 también parpadeará y la salida se desactivará (OFF) cuando se pulse la tecla OK. La salida también se puede desactivar directamente con su tecla ON/OFF antes de pulsar OK.

### Salida auxiliar (sólo modelos T)

La salida AUX puede proporcionar hasta 3 amperios a un voltaje de salida entre 1,00 V y 6,00 V. El voltaje de salida se fija mediante el control Jog (solamente), con una resolución de 10 mV entre paso y paso; el límite de corriente se encuentra fijado a  $\geq 3$  A.

En la pantalla de la salida principal 1 es posible fijar el voltaje de la salida AUX y monitorizar el voltaje y la tensión con pulsaciones sucesivas del botón SET/VIEW, ubicado junto a los bornes de la salida AUX. Pulse una vez para mostrar los valores V e I de AUX (**A** se muestra delante del valor de V para indicarlo); pulse de nuevo para mostrar los valores V e I de la salida 1.

La salida AUX se enciende y apaga mediante la tecla AUX ON/OFF; esta tecla se ilumina cuando AUX está encendida. Si AUX está apagada y la pantalla de la salida 1 muestra los valores V e I de AUX, es posible previsualizar y fijar el voltaje de la salida AUX por medio del control Jog; el límite de corriente permanece fijo y la previsualización indica 3,00 A. Con la salida AUX encendida, la pantalla de la salida 1 muestra el voltaje y corriente real de la salida AUX.

La salida AUX se encuentra protegida contra sobrecargas de corriente y cortocircuitos momentáneos de la siguiente manera: cuando la corriente de carga supera  $\sim 3,00$  A, el piloto  $I_{LIMIT}$  se ilumina para indicar que la regulación ha dejado de mantenerse. Si este estado de sobrecarga persiste durante aproximadamente más de 5 segundos, se habilita la desconexión de seguridad de la salida; la tecla AUX ON/OFF deja de estar iluminada, el piloto  $I_{LIMIT}$  pasa a parpadear y la pantalla de la salida 1 (si está fijada para que muestre los valores V e I de AUX) muestra el mensaje **trip** (desconexión de seguridad) en lugar de la medición de corriente. Al pulsar la tecla AUX ON/OFF se reiniciarán tanto el piloto  $I_{LIMIT}$  como la pantalla de la salida 1, que mostrará la tensión y el límite de corriente prefijados para AUX. Una vez resuelto el estado de sobrecarga, la salida AUX puede conectarse de nuevo.

Existen otras 10 memorias no volátiles, además de las 50 memorias para cada salida principal y funcionamiento en modo Link, que permiten almacenar ajustes de voltaje para la salida AUX. Pulse la tecla SET/VIEW para mostrar los valores V e I de AUX en la pantalla de la salida 1; a continuación proceda exactamente igual que se describe en los párrafos Guardar, Recuperar y Borrar de la sección «Salidas principales».

Los terminales de salida se encuentran duplicados en el panel trasero (sin atornillado) para facilitar su uso en bastidor; no se dispone de capacidad de detección remota.

---

Las siguientes funcionalidades de la salida AUX pueden ajustarse y monitorizarse a través de las interfaces remotas:

Fijar el voltaje de salida; leer el voltaje de salida fijado.

Leer el voltaje y corriente de salida reales.

Fijar un incremento  $V_{\Delta}$ ; leer el incremento fijado.

Aumentar y reducir el voltaje de salida en  $V_{\Delta}$ .

Encender y apagar la salida AUX.

Leer el estado de encendido o apagado de la salida.

Leer el estado del límite de corriente y de la desconexión de seguridad por sobrecorriente (mediante el comando LSR2?, consulte «Modelo de estado»).

Podrá encontrar más información en la sección «Comandos remotos».

---

# Funcionamiento remoto (sólo modelos P)

El instrumento se puede controlar a distancia mediante sus interfaces RS232, USB, LAN o GPIB. El control remoto por USB funciona de manera similar al realizado por RS232, aunque a través del conector USB. El software suministrado con el instrumento configura el PC que actúa como controlador para tratar la conexión USB como un puerto COM virtual. Las aplicaciones del PC pueden entonces acceder al instrumento a través de ese puerto COM.

La interfaz LAN está diseñada para ser compatible con la versión 1.2 del estándar LXI (Lan eXtensions for Instrumentation); el instrumento es compatible con la clase C. Su control remoto a través de la interfaz LAN es posible mediante el protocolo de sockets de TCP/IP. Además, también incorpora un servidor web básico que proporciona información sobre la unidad y permite configurarla desde un navegador web. Desde el navegador también es posible realizar un control básico por línea de comandos.

Todas las interfaces están siempre, por defecto, habilitadas (una prescripción de la norma LXI), pero el acceso individual puede restringirse mediante las opciones de configuración de las páginas web.

## Bloqueo de la interfaz

Todas las interfaces están siempre habilitadas; de este modo se elimina la necesidad de seleccionar la interfaz activa y se cumple con la prescripción de la norma LXI. Para reducir el riesgo de que el instrumento se encuentre, sin saberlo, bajo el control de dos interfaces al mismo tiempo, el conjunto de instrucciones incorpora un sencillo mecanismo de bloqueo y liberación. El bloqueo se libera automáticamente cuando es posible detectar la desconexión y cuando se pulsa el botón Local. El acceso a las interfaces puede además restringirse usando las páginas web.

Cualquier interfaz puede solicitar el control exclusivo de la unidad enviando un comando «IFLOCK» (bloqueo de interfaz). El bloqueo solamente se liberará enviando un comando «IFUNLOCK» (desbloqueo de interfaz) desde la instancia de interfaz que tenga en ese momento el bloqueo. Cualquier interfaz puede enviar el comando «IFLOCK?» (¿interfaz bloqueada?) para conocer el estado de bloqueo. La respuesta a cualquiera de estos comandos será «-1» si el bloqueo pertenece a otra instancia de interfaz, «0» si la interfaz está libre y «1» si el bloqueo pertenece a la instancia de interfaz solicitante. El envío de cualquier comando desde una interfaz sin privilegios de control que intente cambiar el estado del instrumento activará el bit 4 del Standard Event Status Register (registro de estado de eventos estándar) y colocará un 200 en el Execution Error Register (registro de errores de ejecución) para indicar que no se dispone de privilegios suficientes para la acción solicitada.

Nota: también es posible configurar desde la interfaz web los privilegios de una interfaz particular al modo «sólo lectura» o «sin acceso».

## Selección de la dirección y la velocidad de transmisión y vista del estado de la interfaz

Sólo la interfaz GPIB requiere estrictamente las capacidades de direccionamiento del aparato. Sin embargo, es posible hacer uso del comando ADDRESS? (¿dirección?) con cualquiera de las interfaces para identificar fácilmente qué instrumento está siendo controlado por un puerto COM (para RS232 ó USB) o socket TCP (para LAN) concretos. Tenga en cuenta que la interfaz LAN dispone además de una función «Identify» (identificación) propia, accesible desde las páginas web del instrumento, que hace parpadear su pantalla hasta que se cancele la función.

Para acceder a la dirección de la interfaz o a la velocidad de transmisión deberá primero fijar el modo de ◀ CONTROL ▶ a 2 (es decir, seleccionar únicamente la salida 2). Pulse SHIFT, Addr/Baud para mostrar la dirección de bus seleccionada actualmente en el instrumento. Al pulsar Addr/Baud de nuevo se muestra la velocidad de transmisión actualmente seleccionada. Las sucesivas pulsaciones alternan entre ambas opciones.

Para cambiar la dirección, desplácese por las direcciones disponibles usando el control Jog cuando se muestre la dirección. La dirección se puede ajustar entre 1 y 31 inclusive. También es posible fijar la dirección desde las páginas web del instrumento. Para cambiar la velocidad de



---

transmisión, desplácese por los valores disponibles (desde 600 a 19200, por defecto 9600) utilizando el control Jog cuando se muestre la velocidad.

Pulse OK para seleccionar la última dirección mostrada y Baud o ESCAPE para retener las selecciones anteriores.

Por defecto, todas las interfaces se encuentran siempre activas. Sin embargo, es posible configurar desde la interfaz web los privilegios de una interfaz particular al modo «sólo lectura» o «sin acceso». El estado de los privilegios de la interfaz puede visualizarse, pero no modificarse, desde el panel frontal.

Para ver los privilegios de la interfaz deberá primero fijar el modo de ◀ CONTROL ▶ a 2 (es decir, seleccionar únicamente la salida 2). Pulse SHIFT, Bus Type para mostrar antes el estado de la interfaz GPIB. Para ver los privilegios de otra interfaz, desplácese por la lista mediante el control Jog hasta que se muestre la interfaz deseada. Los estados posibles serán **Fu11** (totales), **oFF** (deshabilitada) o **rEAd** (lectura).

## Manejo remoto/local

Cuando se conecta, el instrumento se encuentra en estado local, con el piloto REM apagado. En este estado, todas las operaciones con el teclado están habilitadas. Cuando el instrumento está en modo de escucha y recibe un comando, pasa al estado remoto, y se enciende el piloto REM. En este estado, el teclado se bloquea y sólo se procesan los comandos remotos. El instrumento puede devolverse al estado local pulsando la tecla LOCAL (local); sin embargo, el efecto de esta acción sólo durará hasta que se vuelva a direccionar el instrumento o reciba otro carácter desde la interfaz, entonces volverá a entrar de nuevo en el estado remoto.

## Interfaz RS232

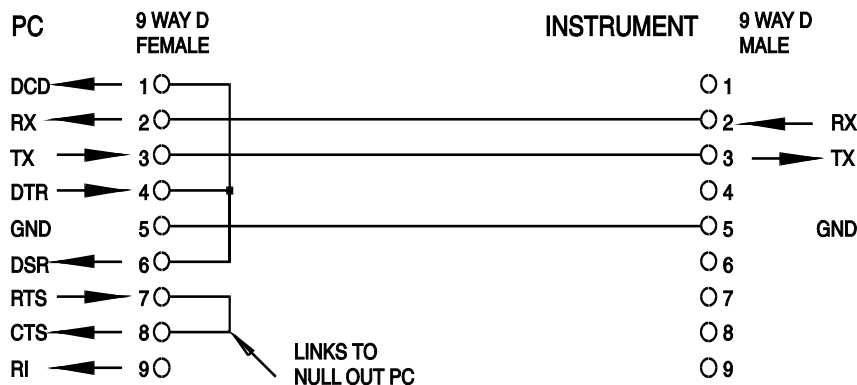
### Conector de la interfaz RS232

El conector en serie de tipo D de 9 clavijas de la interfaz se encuentra en la parte trasera del instrumento. A continuación se enumeran las conexiones de las patillas:

Patilla	Nombre	Descripción
1	RI	Señal pasiva (+V con 10.000 Ω)
2	TXD	Datos transmitidos desde el instrumento
3	RXD	Datos recibidos en el instrumento
4	CTS	
5	GND	Toma de tierra
6	RTS	Señal pasiva (+V con 10.000 Ω)
7	DSR	Sin conexión interna
8	DTR	
9	CD	Sin conexión interna

### Conexiones RS232

La interfaz RS232 debe conectarse a un puerto de PC estándar por medio de un cable macho-hembra con todas las conexiones de uno a uno, sin ningún cruce. Como alternativa, solamente es necesario conectar al PC las patillas 2, 3 y 5, pero interconectando en el extremo del PC las patillas 1, 4 y 6 y las patillas 7 y 8 tal como muestra el diagrama.



Baud Rate se define tal como se describe arriba, en el apartado «Selección de la dirección y la velocidad de transmisión»; los demás parámetros son los siguientes:

Bits iniciales: 1

Paridad: Sin paridad

Bits de datos: 8

Bits de parada: 1

### Juego de caracteres de RS232

Dado que es necesaria la negociación XON/XOFF, sólo es posible enviar datos en código ASCII; no se aceptan los bloques binarios. El bit 7 de los códigos ASCII se pasa por alto, esto es, se presupone que está desactivado. Los comandos no distinguen entre mayúsculas y minúsculas; se pueden utilizar indistintamente. En este manual, 20H, etc. significa 20 en base hexadecimal.

### Interfaz USB

La interfaz USB es un puerto COM virtual que puede ser controlado desde un PC como si se tratara de un dispositivo RS232. El instrumento se suministra con un CD que contiene un archivo .inf con los controladores estándar de Microsoft para Windows 2000, XP, Vista y Windows 7; el asistente de instalación seleccionará el controlador adecuado para el sistema operativo del PC (32 ó 64 bits). Cualquier actualización está disponible en la web de TTI, [www.tti-test.com](http://www.tti-test.com).

La instalación del controlador de la interfaz se realiza conectando el instrumento a un PC a través de un cable estándar USB. La función plug and play de Windows debería reconocer automáticamente el nuevo hardware que se conecte a la interfaz USB. Si es la primera vez que se realiza la conexión, se le pedirá que indique la ubicación de un controlador adecuado. A condición de que se sigan correctamente las indicaciones de Windows, el sistema operativo instalará el controlador correspondiente y establecerá un puerto COM virtual en el PC. El número del nuevo puerto COM dependerá del número de puertos COM que ya existan en el PC. El puerto COM virtual podrá ser controlado por las aplicaciones Windows exactamente igual que un puerto estándar, salvo que el ajuste de velocidad en baudios del puerto COM virtual es ignorado.

El controlador se quedará instalado en el PC, por lo que el establecimiento de un puerto COM virtual se realizará automáticamente cada vez que el instrumento se conecte al PC a través del puerto USB.

Otros puertos COM virtuales son creados para cada instrumento adicional conectado al PC vía USB. Cada instrumento es asignado un puerto COM virtual separado cuando se conecta por primera vez y el mismo puerto COM será asignado cada vez que el instrumento se conecta subsiguientemente. El software del PC utiliza el código único embebido en el instrumento para enlazarlo al mismo puerto COM virtual sin importar a cuál puerto USB físico esté conectado.

También puede utilizarse el comando ADDRESS? (¿dirección?) para identificar fácilmente el instrumento que está controlado por un puerto COM determinado. Aunque la capacidad de direccionamiento es ignorada en la operación USB, la dirección todavía podrá ajustarse y utilizarse como un identificador. Ajuste cada instrumento conectado vía USB en una dirección diferente y envíe el comando ADDRESS? desde cada puerto COM virtual para confirmar qué instrumento está conectado a aquel puerto.

---

## Interfaz LAN

La interfaz LAN está diseñada para ser compatible con la versión 1.2 de la norma LXI y contiene las interfaces y protocolos descritos a continuación. Debido a la posibilidad de una configuración incorrecta de la interfaz LAN que hiciera imposible la comunicación con el instrumento a través de ella, un botón protegido situado en el panel trasero proporciona un mecanismo de inicialización de la configuración de red (LAN Configuration Initialise, LCI) para reiniciar la unidad a los valores de fábrica por defecto. Por defecto, el instrumento intenta obtener la configuración mediante DHCP si este se encuentra disponible; si el protocolo DHCP no responde en 30 segundos, se recurrirá a la asignación automática de IP. En el muy poco probable caso de que no se pudiera encontrar una IP automática, se asignaría la IP estática 192.168.0.100. Al reiniciar la LAN se elimina cualquier protección mediante contraseña.

Para más información acerca de la norma LXI consulte en [www.lxistandard.org/home](http://www.lxistandard.org/home) .

### Conexión LAN

Para utilizar la interfaz LAN debe conocerse la dirección IP de la unidad. El CD-ROM proporcionado incluye la herramienta LXI Discovery Tool, que puede emplearse para mostrar las direcciones IP (y otra información relacionada) de todos los dispositivos conectados compatibles con el protocolo de descubrimiento VXI-11. Esta herramienta es una aplicación para Windows que debe instalarse y ejecutarse en el PC que actúe como controlador, con el instrumento conectado bien directamente a la toma de red local del PC o bien a través de un enrutador. Es recomendable conectar a través de un enrutador, puesto que la asignación de la dirección IP se realiza de forma notablemente más rápida; la conexión directa al PC solamente iniciará el proceso de asignación de IP una vez agotados los 30 segundos dedicados a intentar la conexión por DHCP. Si hace doble clic en cualquier elemento de la lista de dispositivos descubiertos se abrirá el navegador web del PC y aparecerá la página de inicio de ese dispositivo.

También se incluyen herramientas para el descubrimiento de redes locales como parte del paquete National Instruments Measurement and Automation Explorer y la aplicación Agilent Vee. Al ser encendido por vez primera, el instrumento intenta obtener la configuración mediante DHCP si este se encuentra disponible; si el protocolo DHCP no responde en 30 segundos, se recurrirá a la asignación automática de IP. En el muy poco probable caso de que no se pudiera encontrar una IP automática, se asignaría la IP estática 192.168.0.100. Durante este tiempo, el piloto LAN se iluminará y permanecerá así en caso de que se logre establecer con éxito una conexión LAN. Sin embargo, si a la conclusión del proceso anterior todavía no se ha establecido una conexión, o si el conector LAN se saca físicamente en cualquier momento, el piloto LAN se apagará; consulte la sección Error de LAN para más información.

### Servidor web y protección de la configuración mediante contraseña

La unidad contiene un servidor web básico. En él se proporciona información sobre el instrumento y se permite configurarlo. La página de configuración puede protegerse mediante una contraseña para evitar cambios no autorizados sobre la configuración de funcionamiento remoto; la configuración por defecto es sin contraseña.

La propia página de configuración explica cómo establecer una contraseña. La contraseña puede ser de hasta 15 caracteres de longitud; tenga en cuenta que **debe dejar en blanco el nombre de usuario (User Name)**. Sin embargo, en caso de usarse el interruptor LAN RESET (reinicio de LAN) del panel trasero para reiniciar todos los parámetros de LAN a sus valores de fábrica, la contraseña también se deshabilitará.

Las páginas web cuentan también con una función «Identify» que permite al usuario enviar un comando al instrumento para que su pantalla parpadee hasta que el comando se cancele.

### Servidor de ping por ICMP

El aparato contiene un servidor ICMP que le permite responder a las solicitudes de ping a través de su nombre de host o dirección IP.

### Protocolo de descubrimiento VXI-11

El instrumento cuenta con una compatibilidad muy limitada con el estándar VXI-11, suficiente únicamente para aceptar el protocolo de descubrimiento.

La unidad incorpora un mapeador de puertos RPC de Sun en el puerto TCP 111 y en el puerto

---

UDP 111 según se define en la recomendación RPC1183. Las llamadas permitidas son: NULL, GET PORT y DUMP.

El puerto TCP 1024 incorpora un sencillo protocolo VXI-11 suficiente únicamente para permitir el descubrimiento del aparato. Las llamadas que admite son: CREATE LINK, DEVICE\_WRITE, DEVICE\_READ y DESTROY\_LINK.

Una vez establecido un vínculo, el dispositivo ignora cualquier otra señal escrita, y toda lectura de este retorna la cadena de identificación esperada por un «\*IDN?», en el formato

«Fabricante,Modelo,Núm. de serie, X.xx – Y.yy»

Por ejemplo:

SORENSEN, XDL 35-5TP, 279730, 1.00 – 1.00

siendo «X.xx» la revisión del firmware principal e «Y.yy» la revisión del firmware de la interfaz. El firmware de la interfaz es actualizable por el usuario a través del puerto USB.

### **Nombre de recurso VISA**

Debido a la limitada compatibilidad con el protocolo VXI-11 (solamente descubrimiento), al utilizar paquetes de aplicaciones que se comuniquen a través de un nombre de recurso VISA, el instrumento deberá ser referido por su información de socket puro. Por ejemplo, un instrumento ubicado en la dirección IP 192.168.1.100 normalmente tendría un nombre de recurso VISA del tipo "TCPIP0::192.168.1.100::inst0::INSTR" pero, para este instrumento, el nombre se deberá modificar para que sea "TCPIP0::192.168.1.100::9221::SOCKET", siendo 9221 el puerto TCP utilizado por el aparato para su monitorización y control; consulte más abajo.

### **URL del documento XML de identificación**

Tal y como requiere la norma LXI, el instrumento proporciona un documento XML de identificación que puede ser consultado mediante una petición GET a "http://<nombrehost>:80/lxi/identification" conforme al esquema XSD del LXI (disponible en <http://www.lxistandard.org/InstrumentIdentification/1.0>) y al estándar XML Schema del W3C (<http://www.w3.org/XML/Schema>). Este documento describe la unidad.

### **Sockets de TCP**

El instrumento utiliza dos sockets en el puerto TCP 9221 para su supervisión y control. Este puerto recibe comandos textuales tal y como se define en la sección «Comandos remotos». Cualquier respuesta es remitida por el mismo puerto. Cada cadena debe estar formada por uno o más comandos completos. Los comandos pueden estar separados por punto y coma «;» o salto de línea. No es necesario un indicador de finalización, ya que la trama de TCP contiene comandos completos. Si se desea se puede incluir, aunque será ignorado. Cada comando enviado sobre TCP se comporta como si estuviera seguido por un comando finalizador (carácter ASCII 0AH, salto de línea).

### **Error de LAN**

Si se efectúa una conexión de área local pero se detecta un error (p. ej., la dirección IP es la misma de otro dispositivo de la red), el piloto LAN de la unidad (sobre los medidores de la salida 2) se apagará hasta que se corrija el error. En caso de producirse un error de LAN, revise y corrija la configuración del instrumento; un botón protegido situado en el panel trasero y rotulado LAN RESET proporciona un mecanismo de inicialización de la configuración de red LAN (LCI) que permite reiniciar la unidad a sus valores de fábrica. Por defecto, el instrumento intenta obtener la configuración mediante DHCP si este se encuentra disponible; si el protocolo DHCP no responde en 30 segundos, se recurrirá a la asignación automática de IP. En el muy poco probable caso de que no se pudiera encontrar una IP automática, se asignaría la IP estática 192.168.0.100.

Si no se encuentra en ningún momento una conexión de red local física, el piloto LAN permanecerá apagado.

---

## Interfaz GPIB

El conector de 24 patillas de la interfaz GPIB se encuentra ubicado en la parte trasera del instrumento. La conexión de cada patilla se corresponde con lo especificado en la norma IEEE 488.1-1987; el instrumento es compatible con la norma IEEE 488.1-1987 y la norma IEEE 488.2-1987.

### Subconjuntos de GPIB

Este instrumento contiene los siguientes subconjuntos de la norma IEEE 488.1:

Source Handshake	SH1
Acceptor Handshake	AH1
Talker	T6
Listener	L4
Service Request	SR1
Remote Local	RL1
Parallel Poll	PP1
Device Clear	DC1
Device Trigger	DT0
Controller	C0
Electrical Interface	E2

### Manejo de errores de la norma IEEE 488.2: Query Error Register

El error UNTERMINATED de la norma IEEE 488.2 («autorizado para hablar pero nada que decir») se procesa de la siguiente manera: Si el instrumento ha recibido una señal de permiso para hablar pero el formateador de respuestas está inactivo y la cola de entrada se encuentra vacía, entonces se generará el error UNTERMINATED. Ello hará que el bit de error de consulta (Query Error) se active en el registro de estado de eventos estándar (Standard Event Status Register), que se coloque un valor de 3 en el registro de errores de consulta (Query Error Register) y que el intérprete se reinicie. Para más detalles, vea la sección «Comunicación de estado».

El error INTERRUPTED de la norma IEEE 488.2 se procesa de la siguiente manera: Si el formateador de respuestas está esperando para enviar un mensaje de respuesta pero el intérprete ha leído un <PROGRAM MESSAGE TERMINATOR> o la cola de entrada contiene más de un mensaje END, entonces el instrumento ha sido interrumpido (INTERRUPTED) y se generará un error. Ello hará que el bit de error de consulta (Query Error) se active en el registro de estado de eventos estándar (Standard Event Status Register), que se coloque un valor de 1 en el registro de errores de consulta (Query Error Register) y que el formateador de respuestas se reinicialice, vaciándose por tanto la cola de salida. El intérprete pasará entonces a analizar la siguiente unidad de mensajes de programa, <PROGRAM MESSAGE UNIT>, de la cola de entrada. Para más detalles, vea la sección «Comunicación de estado».

El error DEADLOCK de la norma IEEE 488.2 se procesa de la siguiente manera: Si el formateador de respuestas está esperando para enviar un mensaje de respuesta y la cola de entrada se llena, el instrumento entrará en un estado de bloqueo (DEADLOCK) y se generará un error. Ello hará que el bit de error de consulta (Query Error) se active en el registro de estado de eventos estándar (Standard Event Status Register), que se coloque un valor de 2 en el registro de errores de consulta (Query Error Register) y que el formateador de respuestas se reinicialice, vaciándose por tanto la cola de salida. El intérprete pasará entonces a analizar la siguiente unidad de mensajes de programa, <PROGRAM MESSAGE UNIT>, de la cola de entrada. Para más detalles, vea la sección «Comunicación de estado».

### Sondeo GPIB en paralelo

Este instrumento ofrece prestaciones completas de sondeo en paralelo. El registro de habilitación del sondeo en paralelo (Parallel Poll Enable Register) está configurado para especificar qué bits del registro de bytes de estado (Status Byte Register) van a ser utilizados para conformar el mensaje local ist. El registro de habilitación del sondeo en paralelo se configura con el comando

\*PRE <nrf> y se lee con el comando \*PRE?. Al valor de dicho registro se le aplica el registro de bytes de estado con un operador lógico AND; si el resultado es 0, el valor de ist será 0, de lo contrario el valor de ist será 1.

El instrumento también debe configurarse de manera que, durante una operación de sondeo, se pueda devolver al controlador el valor de ist. Para ello, el controlador envía un comando Parallel Poll Configure (PPC) seguido de un comando Parallel Poll Enable (PPE). A continuación se muestran los bits del comando PPE:

bit 7 =	X	indiferente
bit 6 =	1	Sondeo en paralelo habilitado
bit 5 =	1	
bit 4 =	0	
bit 3 =	Sentido	sentido del bit de respuesta; 0 = bajo, 1 = alto
bit 2 =	?	posición de bit de la respuesta
bit 1 =	?	
bit 0 =	?	

Para devolver el bit RQS (bit 6 del Status Byte Register), con valor 1 cuando sea verdadero y con valor 0 cuando sea falso, en la posición de bits 1, en respuesta a una operación de sondeo en paralelo, envíe los siguientes comandos:

\*PRE 64<pmt>, después PPC seguido de 69H (PPE)

La respuesta del aparato al sondeo será entonces 00H si RQS es 0 y 01H si RQS es 1.

Durante la respuesta a un sondeo de este tipo, las líneas de la interfaz DIO se encuentran terminadas resistivamente (terminación pasiva). Ello permite a múltiples dispositivos compartir la misma posición de bits para la respuesta, tanto en la configuración wired-AND como en la configuración wired-OR. Consulte la norma IEEE 488.1 para más información.

## Comunicación de estado

En esta sección se describe el modelo de estado completo del instrumento. Tenga en cuenta que algunos registros son específicos de la sección GPIB del instrumento y son de uso limitado en un entorno RS232.

### Registro de estado de eventos estándar y registro de activación de estado de eventos estándar

Ambos registros se implementan conforme a lo especificado por la norma IEEE 488.2.

Todo bit activado en el Standard Event Status Register que se corresponda con un bit activado en el Standard Event Status Enable Register provocará la activación del bit ESB en el Status Byte Register.

El Standard Event Status Register se lee y borra con el comando \*ESR?. El Standard Event Status Enable Register se configura con el comando \*ESE <nrf> y se lee con el comando \*ESE?.

- Bit 7 - Power On (encendido). Se configura cuando se enciende por primera vez el instrumento.
- bit 6 - No se usa.
- bit 5 - Command Error (error de comando). Se activa cuando se detecta un error de sintaxis en un comando procedente del bus. El analizador se reinicia y el análisis continúa en el siguiente byte del flujo de entrada.
- bit 4 - Execution Error (error de ejecución). Se configura cuando se descubre un error mientras se intenta ejecutar un comando ya completamente analizado sintácticamente. En el Execution Error Register aparecerá el número de error correspondiente.
  - De 1 a 99 Indica que se ha detectado un error de hardware.
  - 116 Se ha solicitado una recuperación de datos de configuración, pero la memoria especificada no contiene ningún dato.

- 
- |     |  |
|-----|--|
| 117 | Se ha solicitado una recuperación de datos de configuración, pero la memoria especificada contiene datos corruptos. Esto indica un fallo de hardware o una corrupción de datos temporal que puede ser corregida volviendo a almacenar los datos en la memoria. |
| 120 | El valor numérico enviado con el comando fue o demasiado grande o demasiado pequeño. Incluye números negativos cuando sólo se aceptan números positivos.   |
| 123 | Se han intentado almacenar o recuperar datos en un número de memoria no válido.  |
| 124 | Se ha solicitado un cambio de rango, pero la configuración actual de la PSU no lo acepta. Consulte la sección «Funcionamiento manual» para más detalles.   |
| 200 | Solo lectura: Se ha intentado modificar la configuración del instrumento desde una interfaz que no goza de privilegios de escritura. Consulte la sección «Bloqueo de la interfaz».   |
- Bit 3 - Verify Timeout Error (tiempo para verificación agotado). Se configura cuando un parámetro se fija especificando "verificar" y no se alcanza el valor en 5 segundos. Por ejemplo, cuando el voltaje de salida se ralentiza por un condensador grande en la salida.
- Bit 2 - Query Error (error de consulta). Se habilita cuando se produce un error de consulta. En el Query Error Register aparecerá el número de error correspondiente, según se enumera a continuación:
1. Error de interrupción
  2. Error de bloqueo permanente
  3. Error de falta de terminación
- Bit 1 - No se usa.
- Bit 0 - Operation Complete (operación completada). Se habilita como respuesta al comando \*OPC.

### Estado de eventos de límite y registros activación de estado de eventos de límite

Como añadido a la norma IEEE 488.2 se incorporan dos pares de registros. Cada par está formado por un Limit Event Status Register y su correspondiente Limit Event Status Enable Register. El Limit Event Status Register 1 (LSR1) y el Limit Event Status Enable Register 1 (LSE1) se aplican a la salida 1. El Limit Event Status Register 2 (LSR2) y el Limit Event Status Enable Register 2 (LSE2) se aplican a la salida 2 y a la salida auxiliar. Su finalidad es informar al controlador de la entrada en, o la salida de, las condiciones de límite de voltaje o corriente mediante el almacenamiento de un histórico de ocurrencias de desconexiones de seguridad desde la última lectura.

Todo bit activado en un Limit Event Status Register que se corresponda con un bit activado en el Limit Event Status Enable Register provocará la activación del bit LIM1 o LIM2 en el Status Byte Register.

Los registros Limit Event Status 1 y 2 se leen y borran mediante los comandos LSR1? y LSR2? respectivamente. Los registros Limit Event Status Enable 1 y 2 se fijan mediante los comandos LSE1<nrf> y LSE2<nrf>, y se leen mediante los comandos LSE1? y LSE2? respectivamente.

#### Limit Event Status Register 1

- Bit 7 - No se usa
- Bit 6 - No se usa
- Bit 5 - Se habilita cuando se produce una desconexión de seguridad por un problema en la detección remota de la salida 1
- Bit 4 - Se habilita cuando se produce una desconexión de seguridad por temperatura en la salida 1
- Bit 3 - Se habilita cuando se produce una desconexión por sobrecorriente en la salida 1
- Bit 2 - Se habilita cuando se produce una desconexión por sobretensión en la salida 1

- 
- Bit 1 - Se habilita cuando la salida 1 alcanza el límite de corriente (modo de corriente constante)
  - Bit 0 - Se habilita cuando la salida 1 alcanza el límite de voltaje (modo de corriente constante)

#### **Limit Event Status Register 2**

- Bit 7 - Se habilita cuando se produce una desconexión de seguridad en la salida auxiliar
- Bit 6 - Se habilita cuando la salida auxiliar alcanza el límite de corriente
- Bit 5 - Se habilita cuando se produce una desconexión de seguridad por un problema en la detección remota de la salida 2
- Bit 4 - Se habilita cuando se produce una desconexión de seguridad por temperatura en la salida 2
- Bit 3 - Se habilita cuando se produce una desconexión por sobrecorriente en la salida 2
- Bit 2 - Se habilita cuando se produce una desconexión por sobretensión en la salida 2
- Bit 1 - Se habilita cuando la salida 2 alcanza el límite de corriente (modo de corriente constante)
- Bit 0 - Se habilita cuando la salida 2 alcanza el límite de voltaje (modo de corriente constante)

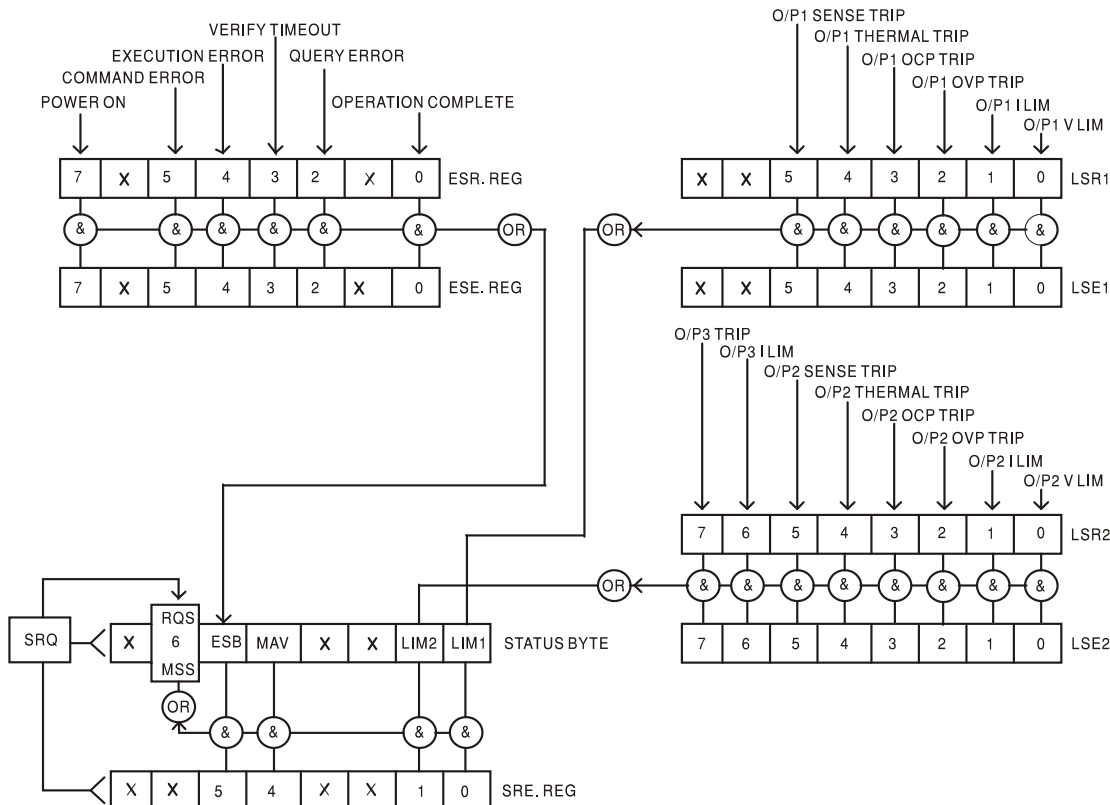
#### **Registro de bytes de estado y Registro de activación de peticiones de servicio**

Ambos registros se implementan conforme a lo especificado por la norma IEEE 488.2. Todo bit activado en el Status Byte Register que se corresponda con un bit activado en el Service Request Enable Register provocará la activación del bit RQS/MSS en el Status Byte Register, generando así un Service Request (petición de servicio) en el bus.

El Status Byte Register se lee, bien mediante el comando \*STB?, que retornará MSS en el bit 6, o mediante un sondeo del puerto de serie, que retornará RQS en el bit 6. El Service Request Enable Register se habilita con el comando \*SRE <nrf> y se lee con el comando \*SRE?.

- Bit 7 - No se usa.
- Bit 6 - RQS/MSS. Este bit, tal como lo define la norma IEEE 488.2, contiene tanto el mensaje Requesting Service (solicitando servicio) como el mensaje Master Status Summary (resumen de estado maestro). La señal RQS se retorna en respuesta a un sondeo en serie, y la señal MSS se retorna en respuesta al comando \*STB?
- Bit 5 - ESB. Event Status Bit (bit de estado del evento). Este bit se activa si algún bit activado en el Standard Event Status Register se corresponde con un bit activado en el Standard Event Status Enable Register.
- Bit 4 - MAV. Message Available Bit (bit de mensaje disponible). Se activará cuando el instrumento cuente con un mensaje de respuesta formateado y listo para enviar al controlador. El bit se desactivará una vez que se haya enviado el Response Message Terminator (finalizador del mensaje de respuesta).
- Bit 3 - No se usa.
- Bit 2 - No se usa.
- Bit 1 - LIM2. Se habilitará si se habilita cualquier bit del Limit Event Status Register 2 y se habilitan sus bits correspondientes en el Limit Event Status Enable Register 2.
- Bit 0 - LIM1. Se habilitará si se habilita cualquier bit del Limit Event Status Register 1 y se habilitan sus bits correspondientes en el Limit Event Status Enable Register 1.





### Modelo de estado

(Para los modelos de salida única, ignorar LSR2, LSE2 y LIM2)

### Ajustes de encendido

Los siguientes valores de estado del instrumento se configuran el encendido:

Status Byte Register	= 0
Service Request Enable Register †	= 0
Standard Event Status Register	= 128 (bit de encendido activado)
Standard Event Status Enable Register †	= 0
Execution Error Register	= 0
Query Error Register	= 0
Parallel Poll Enable Register †	= 0

† Los registros marcados con este símbolo son específicos de la sección GPIB del instrumento y su uso es limitado desde otras interfaces.

El instrumento estará en estado local con el teclado activo.

Los parámetros del instrumento en el encendido son los mismos que los del último apagado a excepción del estado de la salida. Por defecto, esta se encontrará siempre apagada al encender, pero el usuario podrá cambiarla para que retorne siempre al estado en el que se encontraba al apagar el aparato.

El comando de interfaz \*RST (reset) reinicia el instrumento a la configuración por defecto para el modo de funcionamiento remoto.

La configuración por defecto para el modo de funcionamiento remoto es:

$V_{out} = 1 \text{ V}$ ,  $I_{out} = 1 \text{ A}$ ,  $\Delta V = 0 \text{ mV}$ ,  $\Delta I = 0 \text{ mA}$  para todos los modelos.

OVP = 40 V y OCP = 5,5A para los modelos XDL 35-5; OVP = 60 V y OCP = 4,4A para los modelos XDL 56-4.

La configuración de la interfaz remota y el estado de la salida al encender permanecen sin cambios tras un \*RST.

La detección remota está configurada para funcionamiento local.

## Formato de comandos remotos RS232 / USB

La entrada en serie dispone de una cola de 256 bytes que se llena, por interrupciones, de manera transparente para todas las demás operaciones del instrumento. El instrumento enviará la señal XOFF cuando en la cola haya aproximadamente 200 caracteres. Tras enviar el XOFF, cuando haya unos 100 espacios libres en la cola, se enviará un XON. Esta cola contiene datos brutos (sin analizar) que el analizador sintáctico va tomando. Los comandos y consultas se ejecutan por orden, y el analizador no empieza con un nuevo comando mientras no se haya completado cualquier comando o consulta anterior. En el modo RS232, las respuestas a los comandos y consultas se envían inmediatamente; no hay cola de salida.

La entrada USB es compatible con la especificación USB 2.0 Full Speed.

Los comandos se deben enviar tal como se indica en la lista de comandos, y deben terminar con el código de fin de comando 0AH (salto de línea, LF). Es posible enviar grupos de comandos; en tal caso se separan entre sí mediante el código 3BH (;). El grupo debe terminar con el código de fin de comando 0AH (salto de línea, LF).

Las respuestas de la unidad al controlador se envían tal como se indica en la lista de comandos. Cada respuesta termina con 0DH (retorno de carro, CR) seguido de 0AH (salto de línea, LF).

El espacio en blanco, <WHITE SPACE>, se define con los códigos de caracteres del 00H al 20H, ambos incluidos.

El carácter <WHITE SPACE> se ignora siempre salvo en los identificadores de comando; por ejemplo, «\*C LS» no es equivalente a «\*CLS».

El bit superior de todos los caracteres es ignorado.

Los comandos no distinguen entre mayúsculas y minúsculas.

## Formato de los comandos remotos de GPIB

La entrada por GPIB dispone de una cola de 256 bytes que se llena, por interrupciones, de manera transparente para todas las demás operaciones del instrumento. Esta cola contiene datos puros (sin interpretar) que el intérprete va tomando. Los comandos y consultas se ejecutan por orden, y el analizador no empieza con un nuevo comando mientras no se haya completado cualquier comando o consulta anterior. Al no existir cola de salida, el formateador de respuestas esperará, indefinidamente si es necesario, hasta que el instrumento reciba una señal de permiso para hablar y el mensaje de respuesta completo haya sido enviado, antes de que el analizador pase al siguiente comando de la cola de entrada.

Los comandos son enviados por el controlador como <PROGRAM MESSAGES> (mensajes de programa), consistiendo cada uno de ellos en cero o más elementos <PROGRAM MESSAGE UNIT> (unidad de mensajes de programa) separados por elementos <PROGRAM MESSAGE UNIT SEPARATOR> (separador de unidades de mensajes de programa).

Se entiende como <PROGRAM MESSAGE UNIT> a un comando cualquiera de la lista de comandos remotos.

El <PROGRAM MESSAGE UNIT SEPARATOR> es el carácter de punto y coma ';' (3BH).

Los <PROGRAM MESSAGES> se separan mediante elementos <PROGRAM MESSAGE TERMINATOR>, que pueden ser cualquiera de los siguientes:

NL	El carácter de nueva línea (0AH)
NL^END	El carácter de nueva línea con el mensaje END
^END	El mensaje END con el último carácter del mensaje

Las respuestas del instrumento al controlador se envían como <RESPONSE MESSAGES>. Un <RESPONSE MESSAGE> se compone de un <RESPONSE MESSAGE UNIT> seguido de un <RESPONSE MESSAGE TERMINATOR>.

Un <RESPONSE MESSAGE TERMINATOR> es el carácter de nueva línea con el mensaje END: NL^END.

---

Cada consulta produce un <RESPONSE MESSAGE> específico, que se muestra junto al comando correspondiente en la lista de comandos remotos.

El carácter <WHITE SPACE> se ignora siempre salvo en los identificadores de comando; por ejemplo, «\*C LS» no es equivalente a «\*CLS». <WHITE SPACE> se define con los códigos de carácter 00H a 20H inclusive, a excepción del carácter NL (0AH).

El bit superior de todos los caracteres es ignorado.

Los comandos no distinguen entre mayúsculas y minúsculas.

## Lista de comandos

En esta sección se facilitan todos los comandos y consultas con que cuenta este aparato. Los comandos se enumeran por orden alfabético dentro de los grupos de funciones.

Tenga en cuenta que no hay parámetros dependientes o emparejados, comandos superpuestos, elementos de datos de programa de expresión ni encabezados compuestos de programa de comando; cada comando se ejecuta por completo antes de que comience el siguiente. Todos los comandos son secuenciales, y el mensaje de operación completa se genera inmediatamente después de la ejecución en todos los casos.

Se utiliza la siguiente nomenclatura:

<rmt>	<RESPONSE MESSAGE TERMINATOR>
<nrf>	Un número en cualquier formato. Por ejemplo, 12, 12,00, 1,2 e1 y 120 e-1 son aceptados todos por igual como el número 12. Cuando se reciben, todos los números se convierten a la precisión requerida de acuerdo con su uso y después se redondean para obtener el valor del comando.
<nr1>	Un número sin decimales, esto es, un entero.
<nr2>	Un número en formato de coma fija, por ejemplo: 11,52; 0,78 etc.
<n>	El número de la salida o del registro de estado al que se refiere el comando. Tenga en cuenta que, en aparatos de salida única, siempre se da <n>=1. Tenga en cuenta también que <n>=3 se refiere a la salida AUX. La salida AUX cuenta con una funcionalidad de manejo remoto limitada. Para mayor claridad, en los comandos donde se puede usar <n>=3, este hecho se indica de forma explícita; en todos los demás sólo se podrá usar <n>=1 ó <n>=2.

Los comandos que comienzan por \* son los que el estándar IEEE 488.2 denomina comandos comunes. Todos ellos funcionarán con las demás interfaces, aunque algunos no sean de mucha utilidad.

## Comandos específicos del instrumento

En los comandos especificados como «WITH VERIFY» (con verificación), la operación se finaliza cuando el parámetro que se ajusta alcanza el valor solicitado dentro de un margen de +/-5% o de +/-10 recuentos, lo que sea mayor. Si el valor no se consigue fijar dentro de esos límites en 5 segundos, el bit 3, Verify Timeout (excedido límite de tiempo para verificación) se habilitará en el Standard Event Status Register y la operación se completará al final de dicho periodo.

El bit de Operation Complete (bit 0) del Standard Event Status Register solamente puede ser activado mediante el comando \*OPC. El comando \*OPC (u \*OPC?) puede usarse para sincronizar el dispositivo debido a la naturaleza secuencial de las operaciones remotas.

Cuando la unidad se opera en modo LINK, los comandos que establecen valores y rangos se aplican a las salidas 1 y 2 de forma simultánea, independientemente de si <n> es igual a 1 ó a 2. Cuando el comando solicite verificación, no se considerará completado hasta que reciba la verificación por parte de ambas salidas. Además, los comandos SAV<n> y RCL<n> funcionan sobre memoria no volátil reservada para configuraciones en modo LINK, por lo que <n> puede ser igual a 1 ó a 2 con el mismo efecto. Advierta, sin embargo, que <n> es parte de la cabecera del comando, por lo que debe incluirse.

V<n> <nrf>	Ajusta la salida <n> a <nrf> voltios. Para la salida AUX <n>=3
V <n>V <nrf>	Ajusta la salida <n> a <nrf> voltios con verificación. Para la salida AUX <n>=3
OVP<n> <nrf>	Ajusta el punto de desconexión de la protección contra sobretensión a <nrf> voltios en la salida <n>
I<n> <nrf>	Ajusta el límite de corriente de la salida <n> a <nrf> amperios
OCP<n> <nrf>	Ajusta el punto de desconexión de la protección contra sobrecorriente a <nrf> amperios en la salida <n>
V<n>?	Retorna el voltaje fijado para la salida <n>. Para la salida AUX <n>=3 - La respuesta es V <n> <nr2><rmt>, siendo <nr2> los voltios
I<n>?	Retorna el límite de corriente fijado para la salida <n> - La respuesta es I <n> <nr2><rmt>, siendo <nr2> los amperios
OVP<n>?	Retorna el valor de desconexión por sobretensión fijado para la salida <n> - La respuesta es VP<n> <nr2><rmt>, siendo <nr2> los voltios
OCP<n>?	Retorna el valor de desconexión por sobrecorriente fijado para la salida <n> - La respuesta es IP<n> <nr2><rmt>, siendo <nr2> los amperios
V<n>O?	Retorna el voltaje leído en la salida <n>. Para la salida AUX <n>=3 - La respuesta es <nr2>V<rmt>, siendo <nr2> los voltios
I<n>O?	Retorna la corriente leída en la salida <n>. Para la salida AUX <n>=3 - La respuesta es <nr2>A<rmt>, siendo <nr2> los amperios
RANGE<n> <nrf>	Fija el rango de voltaje de la salida <n> a <nrf>, teniendo <nrf> el siguiente significado: <b>Modelos XDL 35-5:</b> 0 = 15 V (5A), 1 = 35 V (3A), 2 = 35 V (500mA) <b>Modelos XDL 56-4:</b> 0 = 25 V (4A), 1 = 56 V (2A), 2 = 56 V (500mA)
RANGE<n>?	Retorna el rango de voltaje fijado para la salida <n> - La respuesta es R<n> <nr1><rmt>, teniendo <nr1> el siguiente significado: <b>Modelos XDL 35-5:</b> 0 = 15 V (5A), 1 = 35 V (3A), 2 = 35 V (500mA) <b>Modelos XDL 56-4:</b> 0 = 25 V (4A), 1 = 56 V (2A), 2 = 56 V (500mA)
DELTA V<n> <nrf>	Ajusta el tamaño del intervalo de tensión de la salida <n> a <nrf> voltios Para la salida AUX <n>=3
DELTA I<n> <nrf>	Ajusta el tamaño del intervalo de corriente de la salida <n> a <nrf> amperios
DELTA V<n>?	Retorna el tamaño del intervalo de tensión de la salida <n> Para la salida AUX <n>=3 - La respuesta es DELTA V<n> <nr2><rmt>, siendo <nr2> los voltios
DELTA I<n>?	Retorna el tamaño del intervalo de corriente de la salida <n> - La respuesta es DELTA V<n> <nr2><rmt>, siendo <nr2> los amperios
INCV<n>	Aumenta la tensión de la salida <n> en el intervalo fijado para dicha salida <n>. Para la salida AUX <n>=3
INCV<n>V	Aumenta la tensión de la salida <n> en el intervalo fijado para dicha salida <n> con verificación. Para la salida AUX <n>=3
DECV<n>	Disminuye la tensión de la salida <n> en el intervalo fijado para dicha salida <n>. Para la salida AUX <n>=3
DECV<n>V	Disminuye la tensión de la salida <n> en el intervalo fijado para dicha salida <n> con verificación. Para la salida AUX <n>=3

INCI<n>	Aumenta el límite de corriente de la salida <n> en el intervalo fijado para dicha salida <n>.
DECI<n>	Disminuye el límite de corriente de la salida <n> en el intervalo fijado para dicha salida <n>.
OP<n> <nrf>	Conecta o desconecta la salida <n>, siendo <nrf> uno de los siguientes valores: 0=DESCONECTADA, 1=CONECTADA Para la salida AUX <n>=3
OP<n>?	Retorna el estado de conexión o desconexión de la salida <n>. Para la salida AUX <n>=3 La respuesta es <nrf1><rmt>, siendo 1 = CONECTADA y 0 = DESCONECTADA.
OPALL <nrf>	Conecta o desconecta simultáneamente todas las salidas, siendo <nrf> uno de los siguientes valores: 0 = TODAS DESCONECTADAS, 1 = TODAS CONECTADAS. Si OPALL se usa para conectar todas las salidas, aquellas que ya lo estuvieran permanecerán así. Si OPALL se usa para desconectar todas las salidas, aquellas que ya lo estuvieran permanecerán así.
SENSE<n> <nrf>	Ajusta el modo de detección de la salida <n>, siendo <nrf> uno de los siguientes: 0=local, 1=remoto
MODE <nrf>	Fija el modo de funcionamiento del instrumento a LINK o asigna el control a la salida 1 ó 2. <nrf> será uno de los siguientes: 0 = LINK, 1 = asignar el control a la salida 1, 2 = asignar el control a la salida 2. Fijar el modo de enlace afecta de manera única a la forma en que el instrumento responde a algunos comandos remotos. Los comandos para determinar rango, voltaje, límite de corriente o protección contra sobrecorriente o sobretensión que se envíen a las salidas 1 ó 2 modificarán la configuración en ambas salidas de forma simultánea. Del mismo modo, los comandos para aumentar y disminuir los valores configurados que se envíen a cualquiera de las salidas principales aplicarán el cambio sobre V o I en ambas salidas; sin embargo, el intervalo de aumento o disminución será el fijado para cada una de ellas. Al asignar el control a las salidas 1 ó 2 se sale del modo de enlace sin ningún otro efecto adicional hasta que el instrumento retorna al modo local. Cualquier modo de operación establecido durante el funcionamiento remoto se mantendrá cuando el instrumento retorne al modo local.
MODE?	Retorna el modo de funcionamiento actual – La respuesta es LINKED o CTRL<n> (control asignado a la salida <n>)
TRIPRST	Intenta borrar todas las condiciones de desconexión por protección de todas las salidas
LOCAL	Pasa al modo local
IFLOCK	Solicita el bloqueo de la interfaz. Este comando pide el control de acceso exclusivo al instrumento. La respuesta es 1 en caso de concederse, o -1 si el bloqueo no se encuentra disponible, bien porque ya esté siendo utilizado o bien porque el usuario haya deshabilitado el acceso a través esta interfaz por medio la web.
IFLOCK?	Consulta el estado de bloqueo de la interfaz. El valor retornado es 1 en caso de que el bloqueo pertenezca a la instancia de interfaz solicitante; 0 si no hay un bloqueo activo; o -1 si el bloqueo no se encuentra disponible, bien porque ya esté siendo utilizado o bien porque el usuario haya deshabilitado el acceso a través de esta interfaz por medio de la web.

---

IFUNLOCK	<p>Libera el bloqueo, si es posible. Este comando retorna el valor 0 en caso de resultar exitoso.</p> <p>De lo contrario se retorna -1, se coloca el valor 200 en el Execution Register y el bit 4 del Event Status Register se activa para indicar que no se dispone de autoridad para liberar el bloqueo.</p>
LSR<n>?	<p>Consulta y borra el Limit Status Register &lt;n&gt;</p> <p>– La respuesta es &lt;nr1&gt;&lt;rmt&gt;</p>
LSE<n> <nrf>	Fija el valor del Limit Event Status Enable Register <n> a <nrf>
LSE<n>?	<p>Retorna el valor del Limit Event Status Enable Register &lt;n&gt;</p> <p>– La respuesta es &lt;nr1&gt;&lt;rmt&gt;</p>
SAV<n> <nrf>	<p>Guarda la configuración actual de la salida &lt;n&gt; en la memoria de configuración indicada por &lt;nrf&gt;, siendo &lt;nrf&gt; un valor entre 0 y 49 para las salidas principales o entre 0 y 9 para las salidas AUX en los modelos TP. Para la salida AUX &lt;n&gt;=3.</p> <p>Si el instrumento está funcionando en modo de enlace, toda la configuración del instrumento (salvo la salida auxiliar) se almacenará en la memoria para modo de enlace especificada por &lt;nrf&gt;. Se ignorará al valor de &lt;n&gt;. Esto no tiene ningún efecto sobre las memorias individuales &lt;n&gt; disponibles cuando el aparato no se encuentra en modo de enlace.</p>
RCL<n> <nrf>	<p>Carga en la salida &lt;n&gt; la configuración almacenada en la memoria &lt;nrf&gt;, siendo &lt;nrf&gt; un valor entre 0 y 49 para las salidas principales o entre 0 y 9 para las salidas AUX en los modelos TP. Para la salida AUX &lt;n&gt;=3.</p> <p>Si el instrumento está funcionando en modo LINK, toda la configuración del instrumento (salvo la salida auxiliar) se cargará de la memoria para modo LINK especificada por &lt;nrf&gt;. Se ignorará al valor de &lt;n&gt;.</p>

### Comandos de sistema y estado

*RST	Reinicia el instrumento a los valores predeterminados de fábrica (consulte la sección «Valores de fábrica por defecto») a excepción de todos los ajustes de la interfaz remota.
EER?	Consulta y limpia el Execution Error Register. El formato de la respuesta es <nr1><rmt>
QER?	Consulta y limpia el Query Error Register El formato de la respuesta es <nr1><rmt>
*CLS	Limpia el estado. Limpia el Standard Event Status Register, el Query Error Register y el Execution Error Register. De manera indirecta limpia el Status Byte Register.
*ESE <nrf>	Fija el valor <nrf> en el Standard Event Status Enable Register
*ESE?	Retorna el valor del Standard Event Status Enable Register en el formato numérico <nr1>. La sintaxis de la respuesta es <nr1><rmt>
*ESR?	Retorna el valor del Standard Event Status Register en el formato numérico <nr1>. Tras ello se limpia el registro. La sintaxis de la respuesta es <nr1><rmt>
*IST?	Retorna el mensaje local <b>ist</b> tal como lo define la norma IEEE 488.2. La sintaxis de la respuesta es 0<rmt> si el mensaje local es falso, o bien 1<rmt> si el mensaje local es verdadero.
*OPC	<p>Activa el bit de Operation Complete (bit 0) del Standard Event Status Register.</p> <p>Ello sucede tan pronto se ejecute el comando, debido a la naturaleza secuencial de todas las operaciones.</p>

---

*OPC?	Consulta el estado del bit de Operation Complete. La sintaxis de la respuesta es <nr1><rmt> La respuesta estará disponible tan pronto se ejecute el comando, debido a la naturaleza secuencial de todas las operaciones.
*PRE <nrf>	Fija el Parallel Poll Enable Register al valor <nrf>
*PRE?	Retorna el valor del Parallel Poll Enable Register en el formato numérico <nr1>. La sintaxis de la respuesta es <nr1><rmt>
*SRE <nrf>	Fija el Service Request Enable Register a <nrf>.
*SRE?	Retorna el valor del Service Request Enable Register en el formato numérico <nr1>. La sintaxis de la respuesta es <nr1><rmt>
*STB?	Retorna el valor del Status Byte Register en el formato numérico <nr1>. La sintaxis de la respuesta es <nr1><rmt>
*WAI	Espera a que Operation Complete sea verdadero. Puesto que todos los comandos se ejecutan completamente antes que el siguiente se inicie, este comando no realiza acciones adicionales.

### Comandos diversos

*IDN?	Devuelve la identificación del instrumento. La respuesta exacta se determina por la configuración del instrumento y tiene la forma <NOMBRE>,<modelo>, 0, <versión><rmt>, siendo <NOMBRE> el nombre del fabricante, <modelo> el tipo de instrumento y <versión> el nivel de revisión del software instalado.
ADDRESS?	Devuelve la dirección de bus del instrumento. La sintaxis de la respuesta es <nr1><rmt>
*TST?	La fuente de alimentación no tiene capacidad de autocomprobación, y la respuesta es siempre 0 <rmt>
*TRG	La fuente de alimentación no tiene capacidad de activación.

### Mensajes de error

Cada mensaje de error tiene un número; a través de las interfaces de control remoto solamente se comunica este número. Los números de los mensajes de error no se muestran, sino que se ubican en el Execution Error Register, donde se pueden leer a través de las interfaces remotas. Consulte la sección «Comunicación de estado».

---

## Mantenimiento

La empresa fabricante o sus representantes en el extranjero ofrecen un servicio de reparación para cualquier unidad en la que surja un fallo. Si los propietarios desean realizar ellos mismos el trabajo de mantenimiento, este sólo podrá ser llevado a cabo por personal cualificado, consultando el manual de servicio que se puede adquirir directamente a la empresa fabricante o a sus representantes en el extranjero.

### Limpieza

Si es necesario limpiar el instrumento, utilice un paño ligeramente humedecido con agua o un detergente suave.

**¡ADVERTENCIA! PARA EVITAR DESCARGAS ELÉCTRICAS Y DAÑOS EN EL INSTRUMENTO, NO PERMITA NUNCA QUE ENTRE AGUA EN LA CARCASA. PARA EVITAR DAÑOS EN LA CARCASA, NO LA LIMPIE NUNCA CON DISOLVENTES.**

---

# Warranty Information

Product Family: XDL Series II  
Warranty Period: Three Years

## WARRANTY TERMS

AMETEK Programmable Power, Inc. ("AMETEK"), provides this written warranty covering the Product stated above, and if the Buyer discovers and notifies AMETEK in writing of any defect in material or workmanship within the applicable warranty period stated above, then AMETEK may, at its option: repair or replace the Product; or issue a credit note for the defective Product; or provide the Buyer with replacement parts for the Product.

The Buyer will, at its expense, return the defective Product or parts thereof to AMETEK in accordance with the return procedure specified below. AMETEK will, at its expense, deliver the repaired or replaced Product or parts to the Buyer. Any warranty of AMETEK will not apply if the Buyer is in default under the Purchase Order Agreement or where the Product or any part thereof:

- is damaged by misuse, accident, negligence or failure to maintain the same as specified or required by AMETEK;
- is damaged by modifications, alterations or attachments thereto which are not authorized by AMETEK;
- is installed or operated contrary to the instructions of AMETEK;
- is opened, modified or disassembled in any way without AMETEK's consent; or
- is used in combination with items, articles or materials not authorized by AMETEK.

The Buyer may not assert any claim that the Products are not in conformity with any warranty until the Buyer has made all payments to AMETEK provided for in the Purchase Order Agreement.

## PRODUCT RETURN PROCEDURE

Request a Return Material Authorization (RMA) number from the repair facility (**must be done in the country in which it was purchased**):

- **In the USA**, contact the AMETEK Repair Department prior to the return of the product to AMETEK for repair:  
Telephone: 800-733-5427, ext. 2295 or ext. 2463 (toll free North America)  
858-450-0085, ext. 2295 or ext. 2463 (direct)
- **Outside the United States**, contact the nearest Authorized Service Center (ASC). A full listing can be found either through your local distributor or our website, [www.programmablepower.com](http://www.programmablepower.com), by clicking Support and going to the Service Centers tab.

When requesting an RMA, have the following information ready:

- Model number
- Serial number
- Description of the problem

**NOTE:** Unauthorized returns will not be accepted and will be returned at the shipper's expense.

**NOTE:** A returned product found upon inspection by AMETEK, to be in specification is subject to an evaluation fee and applicable freight charges.



**AMETEK Programmable Power, Inc.**

**9250 Brown Deer Road  
San Diego, CA, 92121  
USA**

**Phone:**

**858 450 0085 (local/direct)**

**800 733-5427 (toll free North America)**

**Fax: 858 458 0267**

[sales@programmablepower.com](mailto:sales@programmablepower.com)

[service@programmablepower.com](mailto:service@programmablepower.com)

[www.programmablepower.com](http://www.programmablepower.com)