

8796 LA Zyklop "flexible-lock" extension with free-turning sleeve, long, 1/4", 1/4"
x 150 mm
Zyklop Accessories, 1/4"



EAN:	4013288121059	Size:	215x44x20 mm
Part number:	05003531001	Weight:	72 g
Article number:	8796 LA	Country of origin:	CZ
		Customs tariff number:	82042000



- 1/4" Zyklop "flexible lock" extension with free-turning sleeve, long
- For 1/4" square sockets with ball lock
- Flexible lock system for either locking or rapid exchange of the attached tool
- With free-turning sleeve for rapid tightening and loosening of screws and nuts
- Chrome vanadium steel, matt chrome-plated

Wera Zyklop extension with flexible-lock: when activated the sockets are secured and permanently fixed, any unintentional loss being avoided. When the system is deactivated, the sockets can be quickly attached and exchanged. Equipped with a free-turning sleeve for faster turning of screws and nuts.

Web link

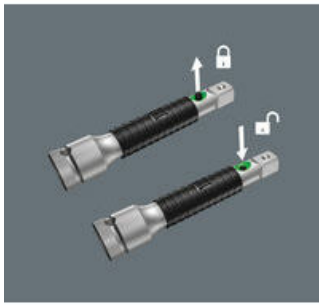
https://products.wera.de/en/zyklop_ratchets_and_accessories_the_zyklop_ratchets_the_zyklop_ratchets_1_4_zyklop_accessories_1_4_8796_la.html

Wera - 8796 LA
05003531001 - 4013288121059

Wera Werkzeuge GmbH
Korzter Straße 21-25
D-42349 Wuppertal
Tel: +49 (0)2 02 / 40 45-0
E-Mail: info@wera.de

Flexible-lock-system

Free-turning sleeve



The extensions from the premium lines are also equipped with the unique "flexible-lock-system". By activating this system, attachments can be fixed to the extension permanently - preventing slipping and any unintentional loss of the attachment. When the system is deactivated, the sockets can be attached as usual and changed in a flash.

The free-turning sleeve on the Zyklop Speed and the Zyklop extension effectively accelerates the turning of screws and nuts.

Further versions in this product family:



inch



mm

	inch	mm
05003531001	1/4"	150.0

Web link

https://products.wera.de/en/zyklop_ratchets_and_accessories_the_zyklop_ratchets_the_zyklop_ratchets_1_4_zyklop_accessories_1_4_8796_la.html

Wera - 8796 LA
 05003531001 - 4013288121059

Wera Werkzeuge GmbH
 Korzeter Straße 21-25
 D-42349 Wuppertal
 Tel: +49 (0)2 02 / 40 45-0
 E-Mail: info@wera.de