

INSTRUCTION SHEET

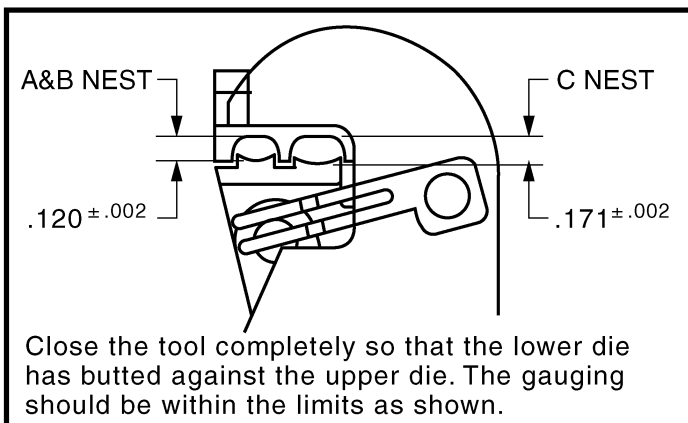
WT145C SHURE STAKE® TOOL FOR NYLON & VINYL INSULATED RA, RB AND RC TERMINALS & INSULATED RAA, RBB AND RCC SPLICES

GAUGING INFORMATION

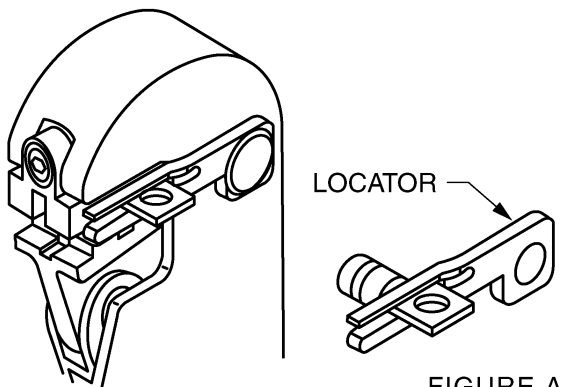


WARNING

PINCH HAZARD: KEEP BODY PARTS AWAY FROM DIE NEST WHEN CRIMPING.

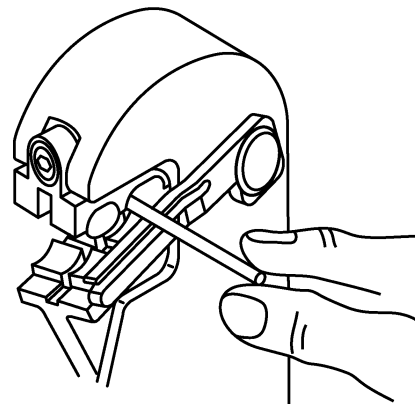


FOR USE WITH NYLON AND VINYL INSULATED RA, RB, AND RC TERMINALS.



1. Open handles fully.
2. Rotate the locator until it is below the top die.
3. Insert the tongue of the terminal in the slot of the locator and position it in the proper nest. Tongue markings should face down. (See Figure A) Insert stripped wire and crimp.
4. Close handles until the SHURE STAKE® mechanism cycle has been completed.

FOR USE WITH NYLON AND VINYL INSULATED RAA, RBB, AND RCC SPLICES.



1. Open handles fully.
2. Rotate the locator down so that it is resting against the lower edge of the frame opening & away from the die nest.
3. Position the splice in the proper nest. Insert stripped wire & crimp.
4. Close handles until the SHURE STAKE® mechanism cycle has been completed.

WARRANTY: Thomas & Betts sells this product with the understanding that the user will perform all necessary tests to determine the suitability of this product for the user's intended application. Thomas & Betts warrants that this product will be free from defects in materials and workmanship for the period stated on the enclosed warranty card. Upon prompt notification of any warranted defect, Thomas & Betts will, at its option, repair or replace the defective product or refund the purchase price. Proof of purchase is required. Misuse or unauthorized modification of the product voids all warranties.

Limitations and Exclusions: THE ABOVE WARRANTY IS THE SOLE WARRANTY CONCERNING THIS PRODUCT, AND IS IN LIEU OF ALL OTHER WARRANTIES EXPRESS OR IMPLIED, INCLUDING BUT NOT LIMITED TO ANY IMPLIED WARRANTY OF MERCHANTABILITY OR FITNESS FOR A PARTICULAR PURPOSE, WHICH ARE SPECIFICALLY DISCLAIMED. LIABILITY FOR BREACH OF THE ABOVE WARRANTY IS LIMITED TO COST OF REPAIR OR REPLACEMENT OF THE PRODUCT, AND UNDER NO CIRCUMSTANCES WILL THOMAS & BETTS BE LIABLE FOR ANY INDIRECT, SPECIAL, INCIDENTAL OR CONSEQUENTIAL DAMAGES.