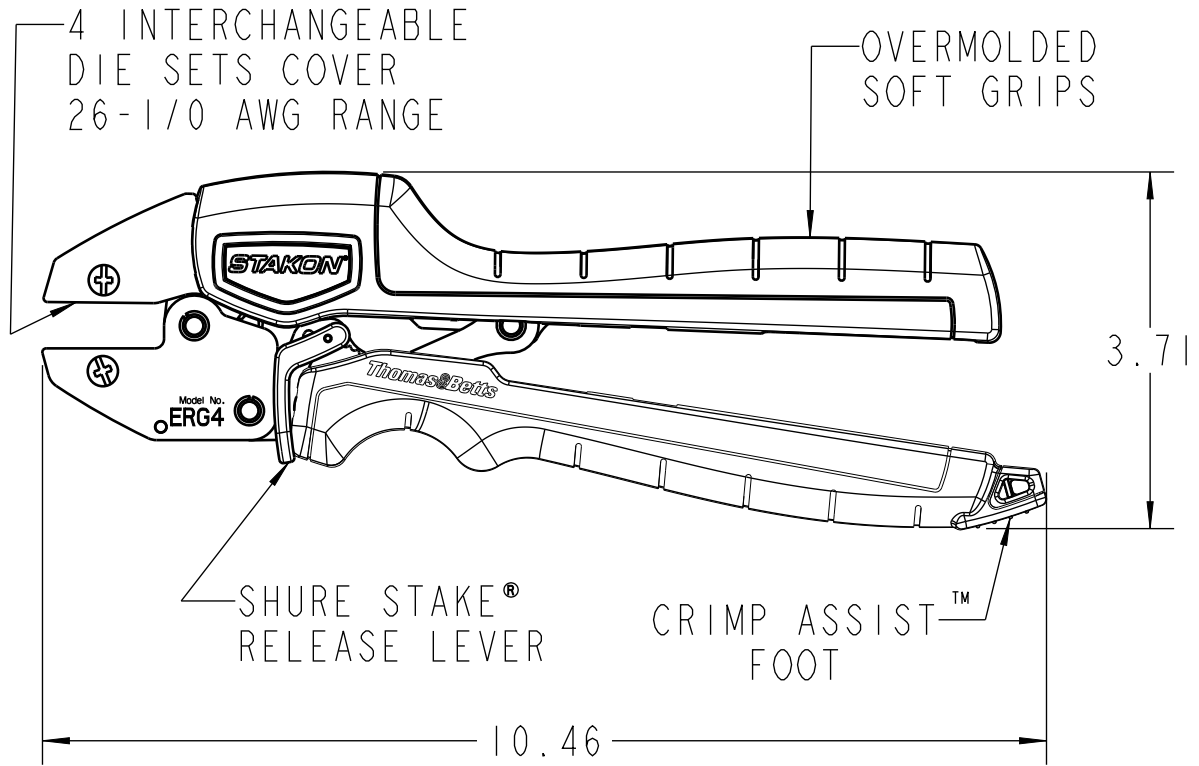


FOR INSTALLING STA-KON[®] FERRULES ON COPPER WIRE 26-1/0 AWG. TOOL KIT INCLUDES 4 DIE SETS, CRIMP TOOL, AND SCREW WRENCH PACKAGED IN PLASTIC CASE.



DIE PART NO.	CRIMP NESTS (AWG)	CRIMP NESTS (METRIC)
DIE02506	26-20, 18-16, 14, 12, 10	0.25-0.75, 1.5, 2.5, 4, 6
DIE0410	12, 10, 8	4, 6, 10
DIE1025	8, 6, 4	10, 16, 25
DIE3550	2, 1-1/0*	35, 50

*CRIMP NEST 1 AWG ACCOMMODATES BOTH 1 AND 1/0 AWG.

CAUTION: HANDLES NON-INSULATING,
DO NOT CRIMP ENERGIZED WIRES

GENERAL NOTES		 www.tnb.com		 A Member of the ABB Group	
1. ALL DIMENSIONS ARE FOR REFERENCE ONLY. 2. DIMENSIONS IN BRACKETS [] ARE IN METRIC UNITS.					
REVISIONS		DESCRIPTION: ERG4 COMFORT GRIP COMPRESSION TOOL KIT WITH SHURE STAKE MECHANISM			
C	SEE ECN000246075 FOR APPROVAL SIGNATURES & RELEASE DATE. PROJECT NO: 131C001992				
ORIGINAL PROJECT NO / ECN NO		SHEET NO:	REV. NO:	DRAWING NO:	
TD55632 / (2010868)		1 OF 1	C	WSD-000505	