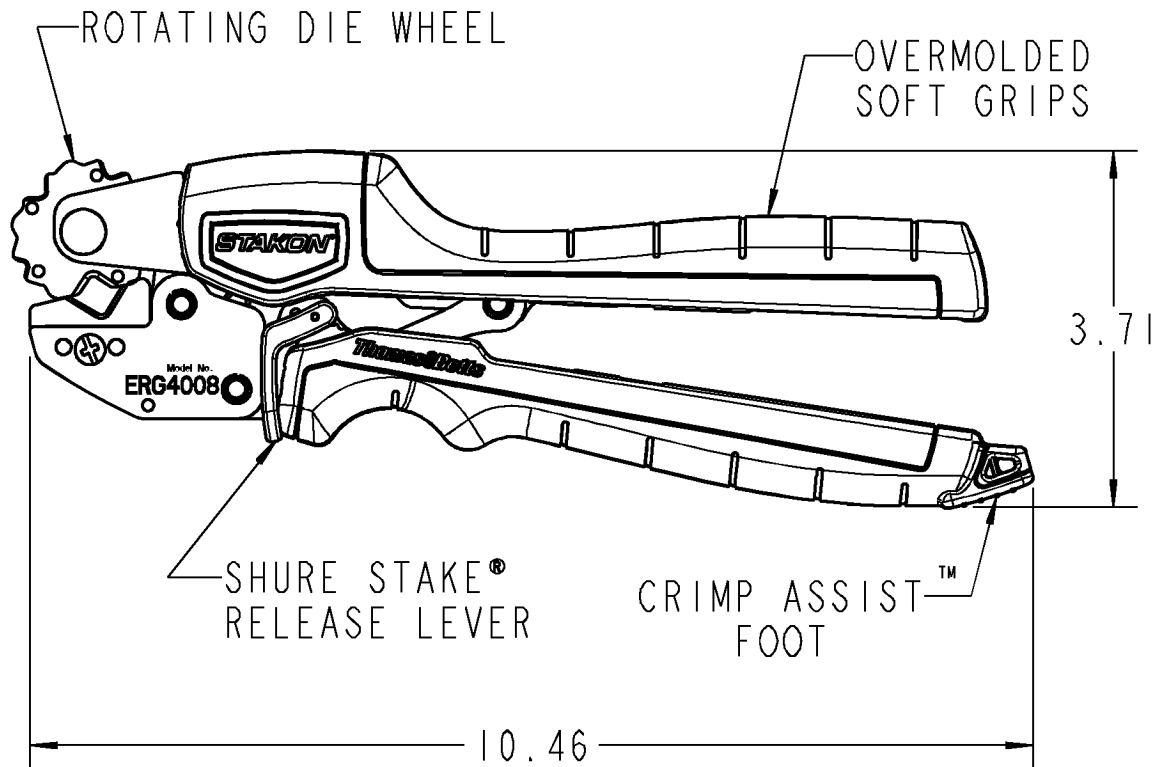




FOR INSTALLING STA-KON® NON-INSULATED
 TERMINALS AND SPLICES ON COPPER WIRE
 8-1/0 AWG (TUBULAR STYLE TERMINALS ONLY)



CAUTION: HANDLES NON-INSULATING,
 DO NOT CRIMP ENERGIZED WIRES

GENERAL NOTES		 			
1. ALL DIMENSIONS ARE FOR REFERENCE ONLY. 2. DIMENSIONS IN BRACKETS [] ARE IN METRIC UNITS.					
REVISIONS		DESCRIPTION ERG4008 COMFORT CRIMP® COMPRESSION TOOL WITH SHURE STAKE® MECHANISM			
** SEE ERN (****) FOR APPROVAL SIGNATURES & RELEASE DATE. PROJECT NO: ****		ORIGINAL PROJECT NO / (ERN NO) TD55632 / (2010868)	SHEET NO: 1 OF 1	REV. NO: -	DRAWING NO: WSD-000502