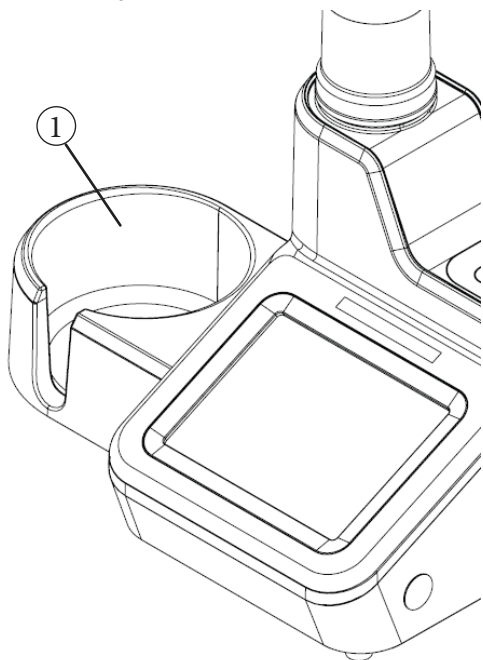
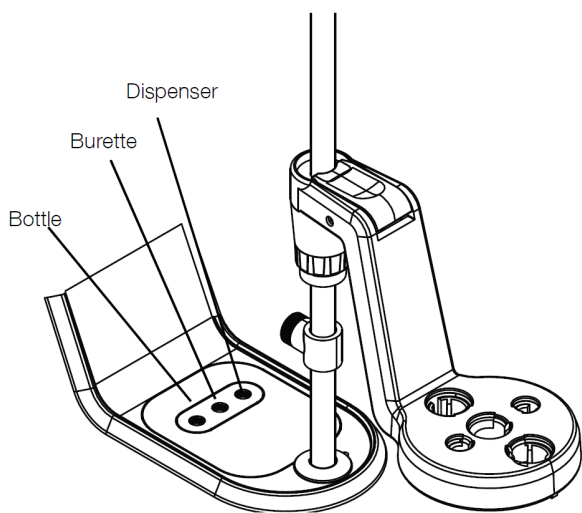


4. Connect the reagent bottle holder ① to the bracket on the left side of the titrator or use the holder as a stand-alone item for flexible placement on the lab bench.



5. Connect the tubing:

- a. Connect the tubing with black fittings to the “dispenser” valve port and dispenser probe.
- b. Connect the tubing with blue fittings to the “burette” valve port and top of burette cap.
- c. Connect the tubing with white fittings to the “bottle” valve port and reagent bottle cap.



6. Connect the electrodes and power supply:
  - a. Connect the sensing electrode to **BNC** input.
  - b. If appropriate, connect the half-cell reference electrode to **REF** input.
  - c. If appropriate, connect the ATC temperature probe to **ATC** input.
  - d. Connect the stirrer probe to **STIRRER** input.
  - e. Connect USB flash drive and printer to **USB A** inputs or connect a computer to **USB B** input.
  - f. Connect the power supply to **POWER** input.



## Preparing the Titrator

The first time the titrator is powered on, the Instrument Setup Wizard will be shown. Tap the “Start Setup” button to initiate. The titrator will walk you through general settings including language, time, date, temperature units and instrument name.

Select and prepare your desired titrant. From the Home screen, tap the “Burette” icon to access the Burette Setup and Maintenance screen. Place a waste beaker under the dispenser probe. Perform 3-5 rinse cycles to flush the burette, tubing and dispenser probe with titrant before performing a titration.

From the Home screen, tap the “Start a New Titration” button. The titrator will walk you through the setup parameters and actions to complete a titration.

Visit [www.thermofisher.com/T900titratorseries](http://www.thermofisher.com/T900titratorseries) to download software updates for your titrator and access the latest functions and features.

Find out more at [thermofisher.com/water](http://thermofisher.com/water)

© 2017 Thermo Fisher Scientific Inc. All rights reserved. All trademarks are the property of Thermo Fisher Scientific and its subsidiaries unless otherwise specified. 68X700150 1217

thermoscientific



## Thermo Scientific Orion Star T900 Series Titrator Quick Start Guide

### Unpacking the Titrator

The following items are included with each titrator:

- 20 mL Burette
- Burette Cover
- Electrode Holder
- Stirrer Probe
- Dispenser Probe
- Tubing Kit
- Desiccant Tube
- Reagent Bottle Holder
- 1 L Plastic Reagent Bottle
- GL38 Reagent Bottle Cap
- USB Computer Cable
- USB Flash Drive with User Manual
- 110-240V Power Adapters

thermoscientific

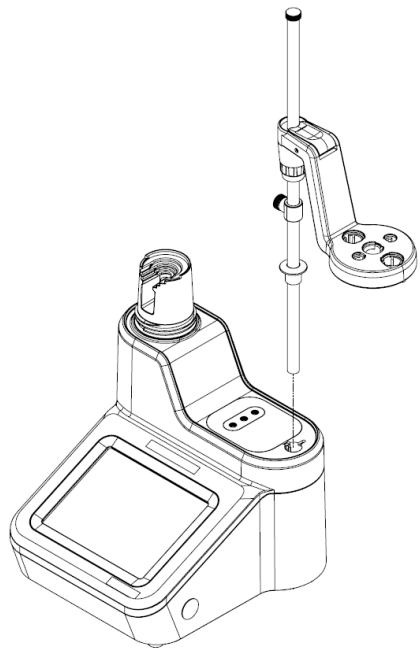
Revision 0.1  
December 2017

**ThermoFisher**  
SCIENTIFIC

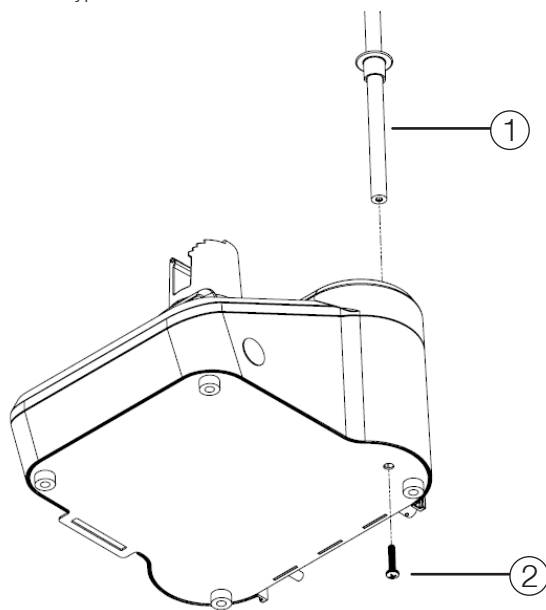
# Titration Assembly

## 1. Attach the Electrode Holder Shaft:

- Insert the shaft into the hole on the top of the titrator and align the slots on the shaft with the tracks on the holder.

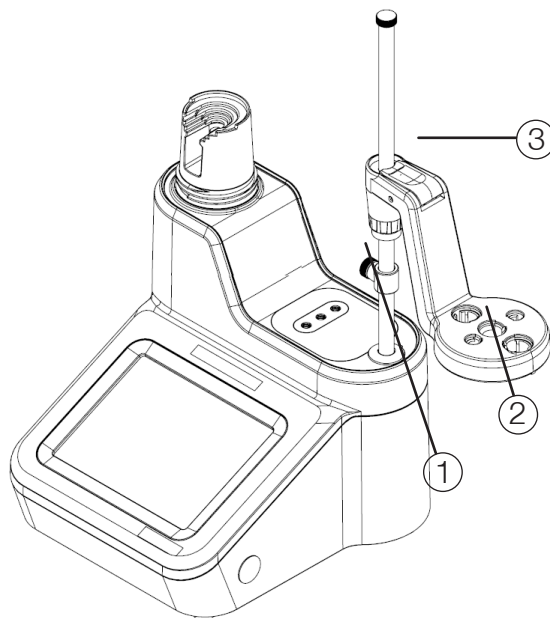


- Access the bottom of the titrator and secure the shaft (1) using the captive screw (2) on the bottom of the titrator and the Torx T20 drivetype screwdriver included with the titrator.



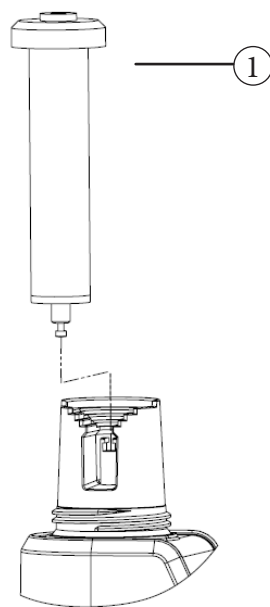
## 2. Adjust the Electrode Holder Head:

- Position the stopper (1) below the electrode holder (2) head and then press the blue button (3) on the head to adjust its height. Insert the electrodes and probes into the labeled slots on the electrode holder head.

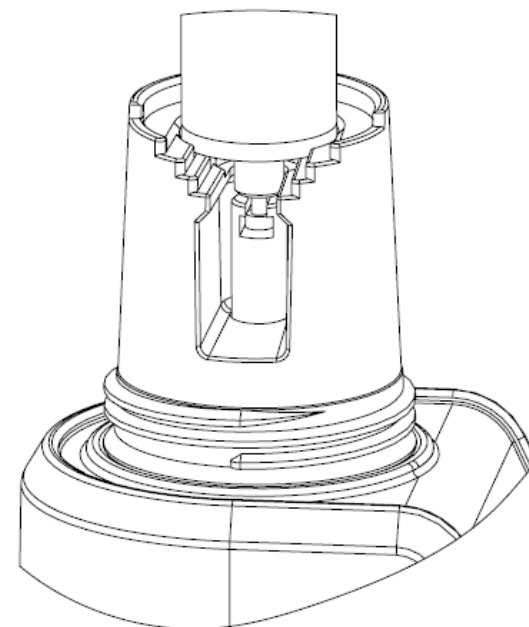


## 3. Install the Burette and Cover:

- Holding the center of the glass burette (1), gently align the piston ball on the bottom of burette with the clasp on the titrator.



- Seat the glass cylinder of the burette onto the alignment rings of the titrator by gently pressing down on the burette.



- Place the burette cover (2) over the burette, gently screw on the cover and ensure the top of the burette is aligned with the opening on the cover.

