



**RM5
Rackmount Kit
Instructions**

Warning

The servicing instructions are for use by qualified personnel only. To avoid personal injury, do not perform any servicing unless you are qualified to do so. Refer to all safety summaries prior to performing service.



071-3523-02

Copyright © Tektronix. All rights reserved. Licensed software products are owned by Tektronix or its subsidiaries or suppliers, and are protected by national copyright laws and international treaty provisions. Tektronix products are covered by U.S. and foreign patents, issued and pending. Information in this publication supersedes that in all previously published material. Specifications and price change privileges reserved.

TEKTRONIX and TEK are registered trademarks of Tektronix, Inc.

Contacting Tektronix

Tektronix, Inc.
14150 SW Karl Braun Drive
P.O. Box 500
Beaverton, OR 97077
USA

For product information, sales, service, and technical support:

- In North America, call 1-800-833-9200.
- Worldwide, visit www.tek.com to find contacts in your area.

Table of Contents

Important safety information	iii
Service safety summary	iii

Kit description

Products	1
Minimum tool and equipment list	1
Kit parts list	1
Warranted characteristics	3
Clearance requirements	3

RM5 Installation instructions

Assemble the instrument on the rack platform	5
--	---

Dimensions

Front panel	11
Rear panel	13

Important safety information

Service safety summary

The *Service safety summary* section contains additional information required to safely perform service on the product. Only qualified personnel should perform service procedures. Read this *Service safety summary* and the *General safety summary* before performing any service procedures.

To avoid electric shock. Do not touch exposed connections.

Do not service alone. Do not perform internal service or adjustments of this product unless another person capable of rendering first aid and resuscitation is present.

Disconnect power. To avoid electric shock, switch off the product power and disconnect the power cord from the mains power before removing any covers or panels, or opening the case for servicing.

Use care when servicing with power on. Dangerous voltages or currents may exist in this product. Disconnect power, remove battery (if applicable), and disconnect test leads before removing protective panels, soldering, or replacing components.

Verify safety after repair. Always recheck ground continuity and mains dielectric strength after performing a repair.

Kit description

This document supports Tektronix 5 Series MSO (excluding the 5 Series MSO Low Profile) and 6 Series MSO instruments. The rackmount kit is a collection of parts that, once installed, configure the instrument for mounting into a standard 19-inch equipment rack.

Products

This rackmount kit supports all 5 Series MSO (except 5 Series MSO Low Profile) and 6 Series MSO instruments.

Minimum tool and equipment list

Required tools and equipment	Part number
Screwdriver, Phillips, #2	Standard tool
Screwdriver, T-10 Torx	Standard tool
Screwdriver, T-15 Torx	Standard tool
Screwdriver, T-8 Torx	Standard tool

Kit parts list

The following table lists the parts for the kit; not all of the parts will be needed for your instrument setup.

Item	Quantity	Part number	Description
-----	1 each	071-3523-xx	RM5 RACK MOUNT KIT INSTRUCTIONS
-----	1 each	644-1088-xx	RACKMOUNT KIT CONSISTING OF THE FOLLOWING ITEMS:
1	1	407-5871-xx	BRACKET, ASSEMBLY, LEFT, SAFETY CONTROLLED
2	1	407-5872-xx	BRACKET, ASSEMBLY, RIGHT RACK KIT, SAFETY CONTROLLED
3, 4	2	407-5870-xx	BRACKET, BOTTOM RACKMOUNT KIT, SAFETY CONTROLLED
5	1	016-2114-xx	This kit includes the hardware required to assemble the rackmount kit and attach it to the instrument. KIT, HARDWARE RACKMOUNT KIT CONSISTING OF THE FOLLOWING ITEMS:
	12	211-1584-xx	SCREW, MACHINE, M3X0.5X6MM PAN HEAD, TORX T10
	18	211-1653-xx	SCREW, M4 X 0.7 X 12 PAN HEAD, TORX T15
	2	367-0525-xx	HANDLE, CARRYING
	4	212-0278-xx	SCREW, MACHINE; 10-32 X 0.5, FLH, 100 DEG, STL CD PL, POZ

Item	Quantity	Part number	Description
6	1	016-2116-xx	This kit includes the hardware required to mount the assembled instrument and rack kit to the instrument rack. KIT, HARDWARE RACKMOUNT KIT CONSISTING OF THE FOLLOWING ITEMS:
	14	210-0833-xx	WASHER, RECESSED; 0.42 ID X 0.112 THK, STL NI PLATED, 0.588 OD
	14	210-1061-xx	WASHER, FLAT; 0.203 ID X 0.625 OD X 0.062, ZINC PLATED STEEL
	14	210-1548-xx	WASHER, FLAT 12 OD X 6.4 ID X 1.6THK
	14	211-1218-xx	SCREW, M6 X 16MM OVAL HEAD, PHILLIPS
	14	211-1219-xx	SCREW, M5 X 16MM OVAL HEAD, PHILLIPS
	14	212-0591-xx	SCREW, MACHINE; 10-32X.750 OVAL HEAD, POZI
	14	213-0199-xx	SCREW, MACHINE; 12-24 X 0.75, OVH, STL NP, POZ
7	1	351-1095-xx	SLIDE ASSY; PAIR, W/STD HARDWARE KIT AND REAR BRACKET, SAFETY CONTROLLED

The following figure shows an exploded view of the rack kit contents with the identifying item numbers in the preceding table.

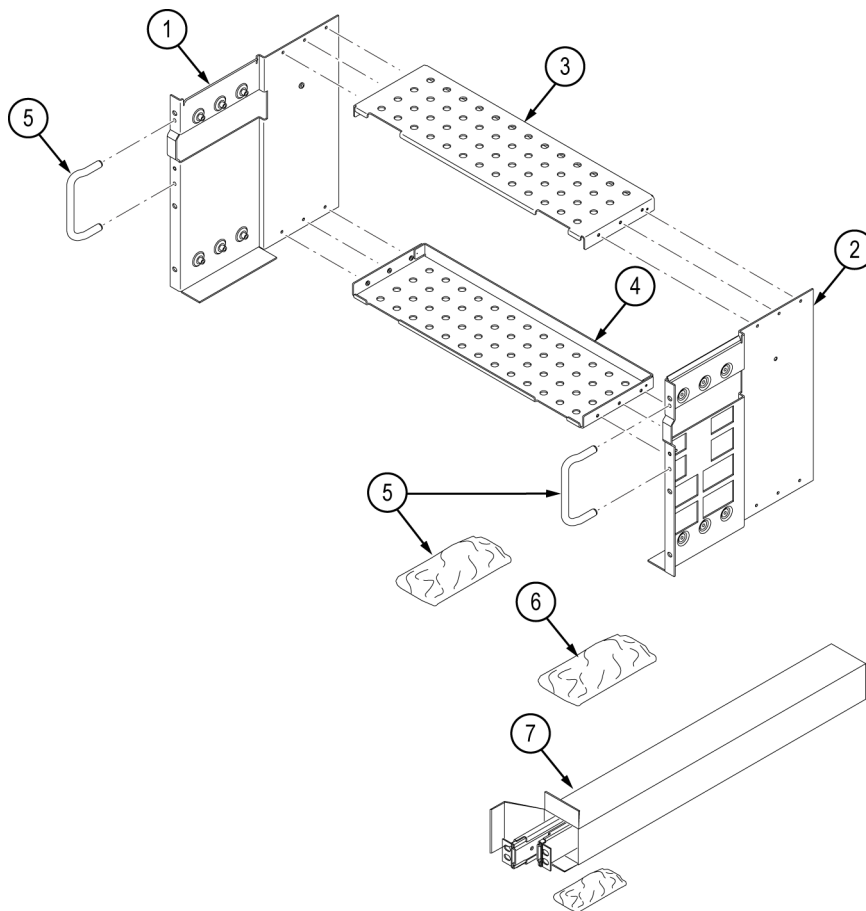


Figure 1: Rackmount kit parts

Warranted characteristics

When the instrument is installed according to the instructions in this document, the rackmounted instrument meets all warranted requirements listed in the instrument specification. Instruments mounted using methods other than those described in these instructions might not meet their warranted requirements.

For tables of the warranted characteristics, see *Specifications* in the specification and performance verification manual that applies to your instrument model.



CAUTION. *The instrument might be damaged due to overheating. When installing multiple instruments in an instrument rack, the ambient temperature may go up. You assume the responsibility to provide adequate cooling to meet the ambient temperature requirements listed in the specifications.*

The ambient temperature inside the instrument rack will vary depending on the location of the instrument within the instrument rack. Tektronix recommends that you measure the ambient temperature in the desired rack location before you install the instrument to ensure the operating temperature does not exceed the rated ambient temperature limit. If necessary, refer to the Environmental Specifications in your product documentation for the operating temperature limits.

Clearance requirements

The rack in which the individual instrument is mounted must provide the following clearance requirements:

- At least 218 mm (8.6 in) of vertical space
- A minimum width of 488 mm (19.2 in) between the left- and right-front rails in the rack. If possible, consider allowing at least 50.8 mm (2.0 in) on the right side and rear of the instrument for adequate airflow.
- A minimum inside depth of at least 384 mm (15.1 in) depth (from rack mounting ear to back of instrument)

Airflow enters from the back of the instrument and exits on the right of the instrument when viewed from the front.



CAUTION. *Adhering to these requirements mounts the rack-adapted instrument with enough clearance for air circulation and accommodation of the power cord and mounting hardware. Failure to provide these clearances can result in overheating and can cause the instrument to operate improperly or fail.*

RM5 Installation instructions

These instructions are for qualified service personnel who are familiar with servicing the product. If you need further details for disassembling or reassembling the product, refer to the appropriate product manual. Contact your nearest Tektronix, Inc., Service Center or Tektronix Factory Service for installation assistance.

Assemble the instrument on the rack platform

A 5 Series MSO is shown in the illustrations.

1. Remove the handle, hubs, and grill as shown. Save the handle, hubs, hub screws, and grill for future use.

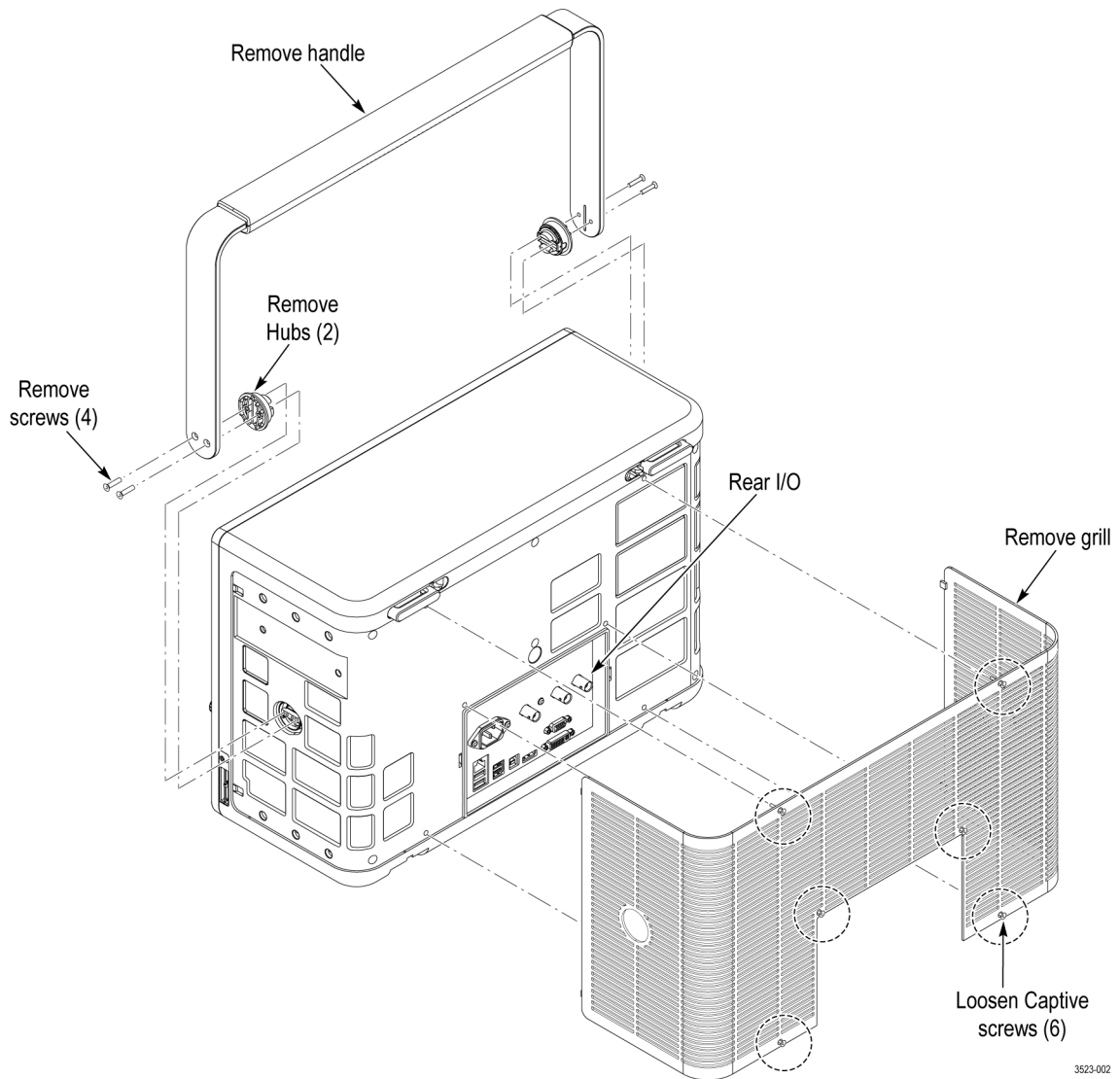


Figure 2: Prepare the instrument

2. Install the left and right mounting plates. Use the M4 screws from item 5.

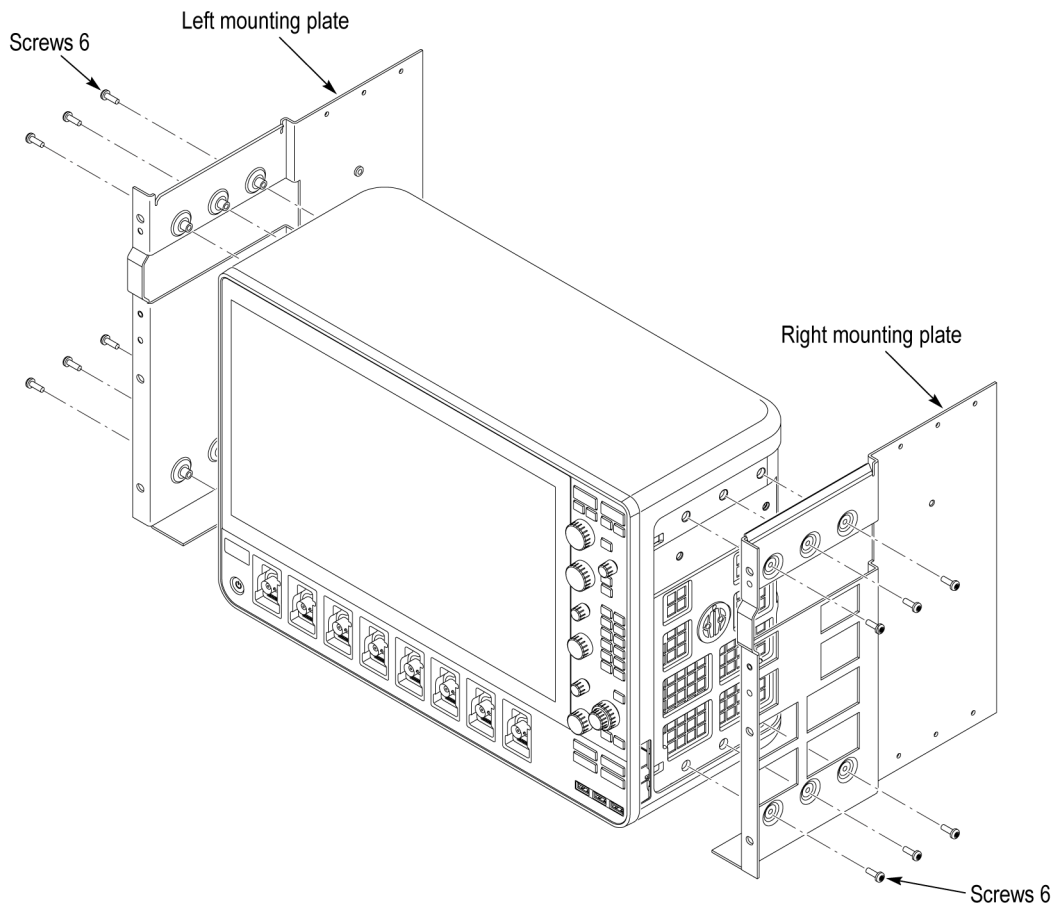


Figure 3: Mounting plate installation

3. Install the top and bottom support plates and handle as shown. Use the M3 screws from item 5 to assemble the support plates. Use the 10-32 flat-head screws from item 5 to attach the handles.

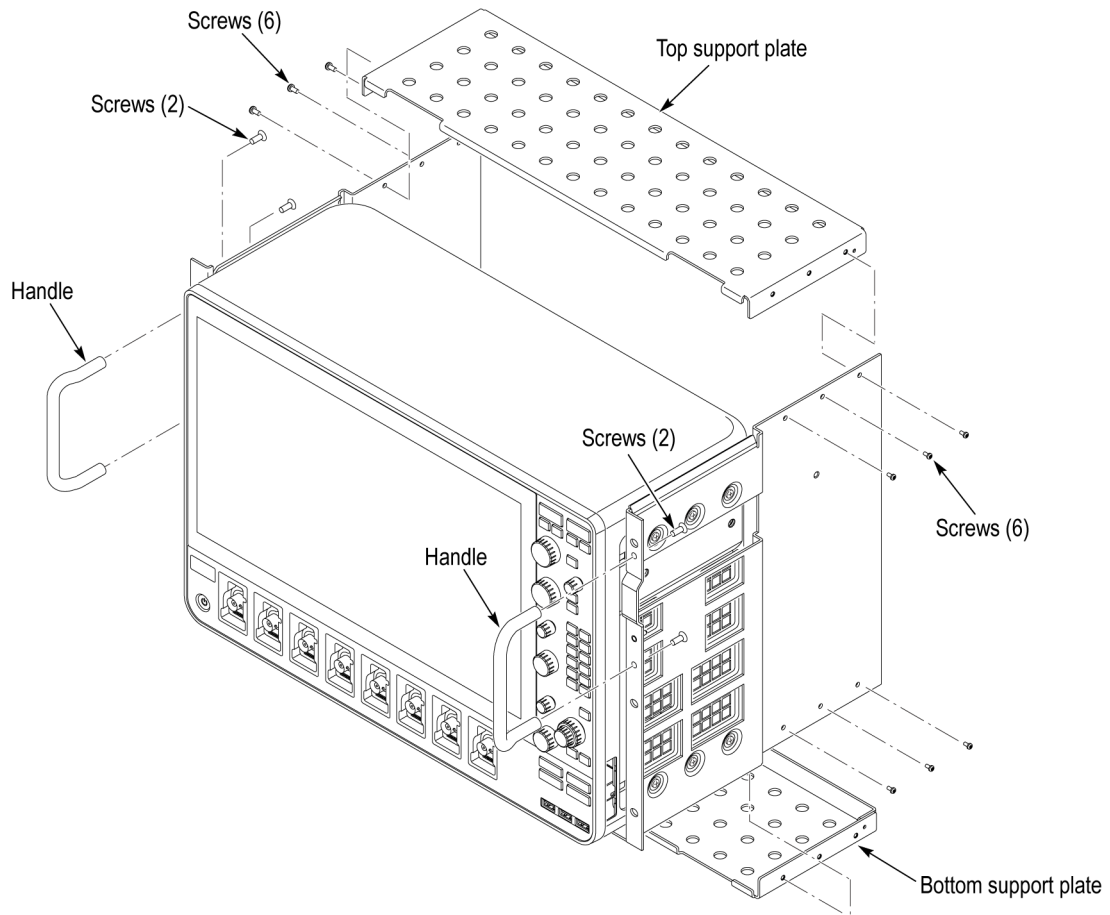


Figure 4: Support plate installation

4. Install the left-side and right-side rack mounts as shown. Use M4 screws from item 5 to attach the slides.

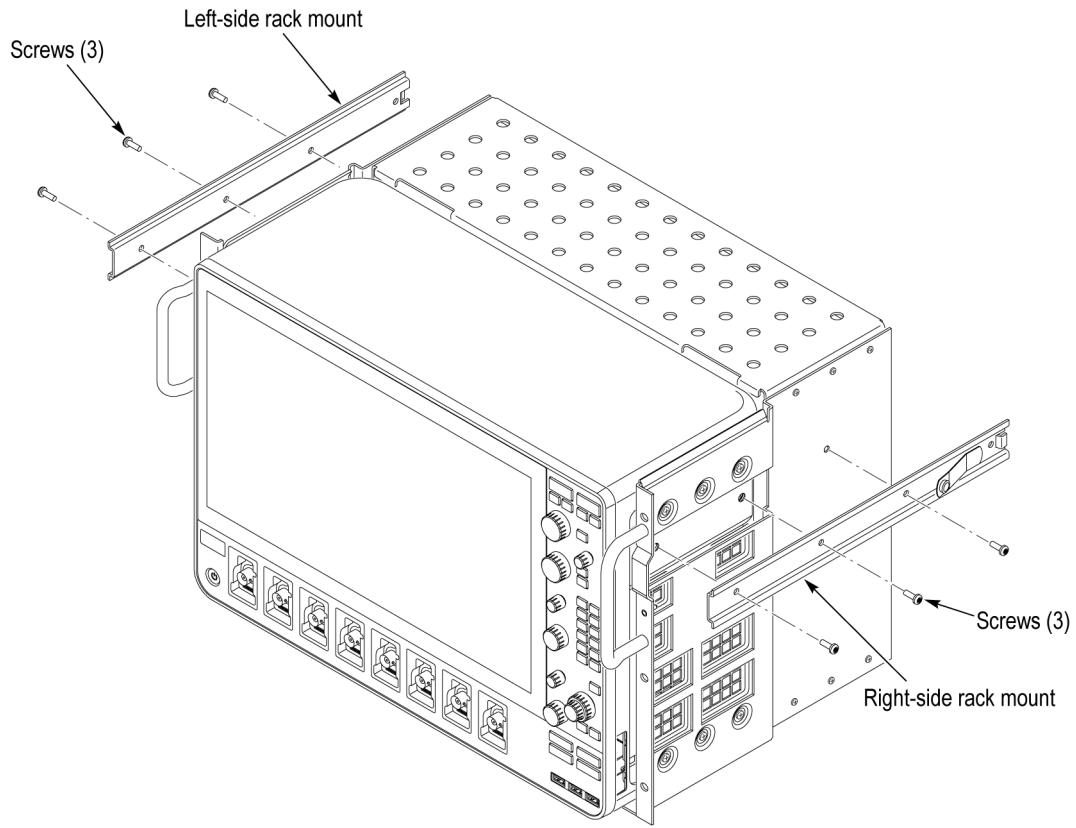


Figure 5: Rack mount installation

5. Locate the rack slides and using hardware from items 6 and 7, as appropriate for your rack, install the rack slides in your equipment rack.

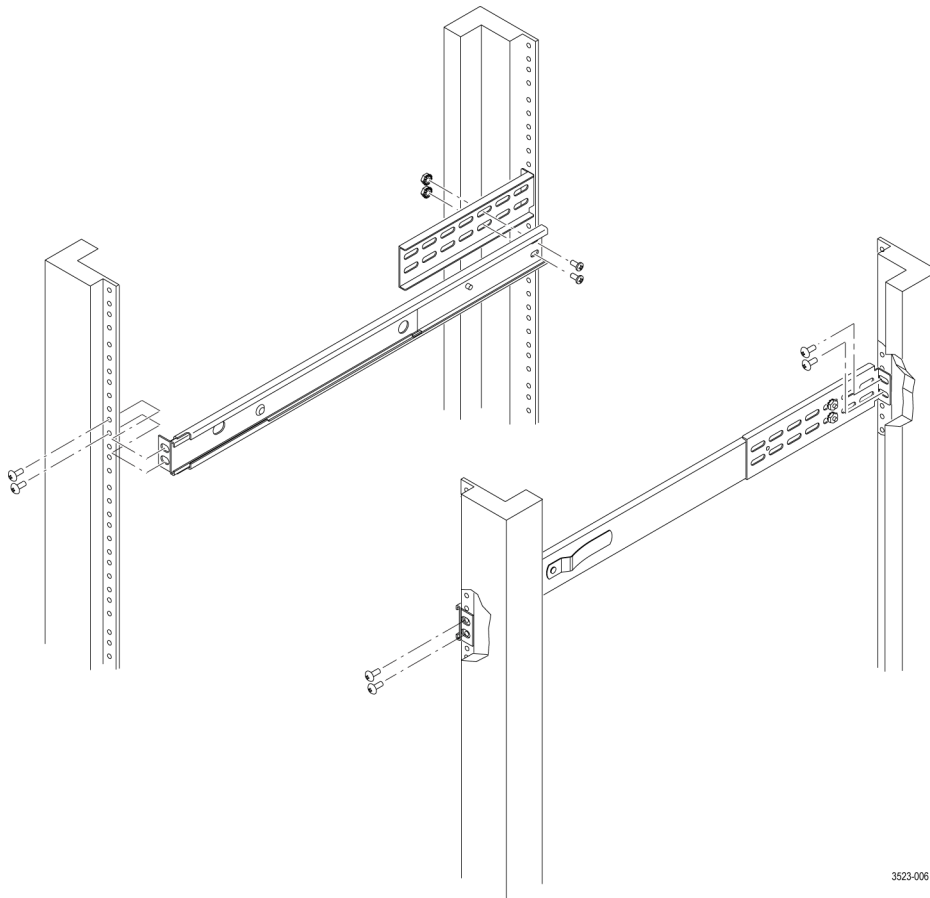
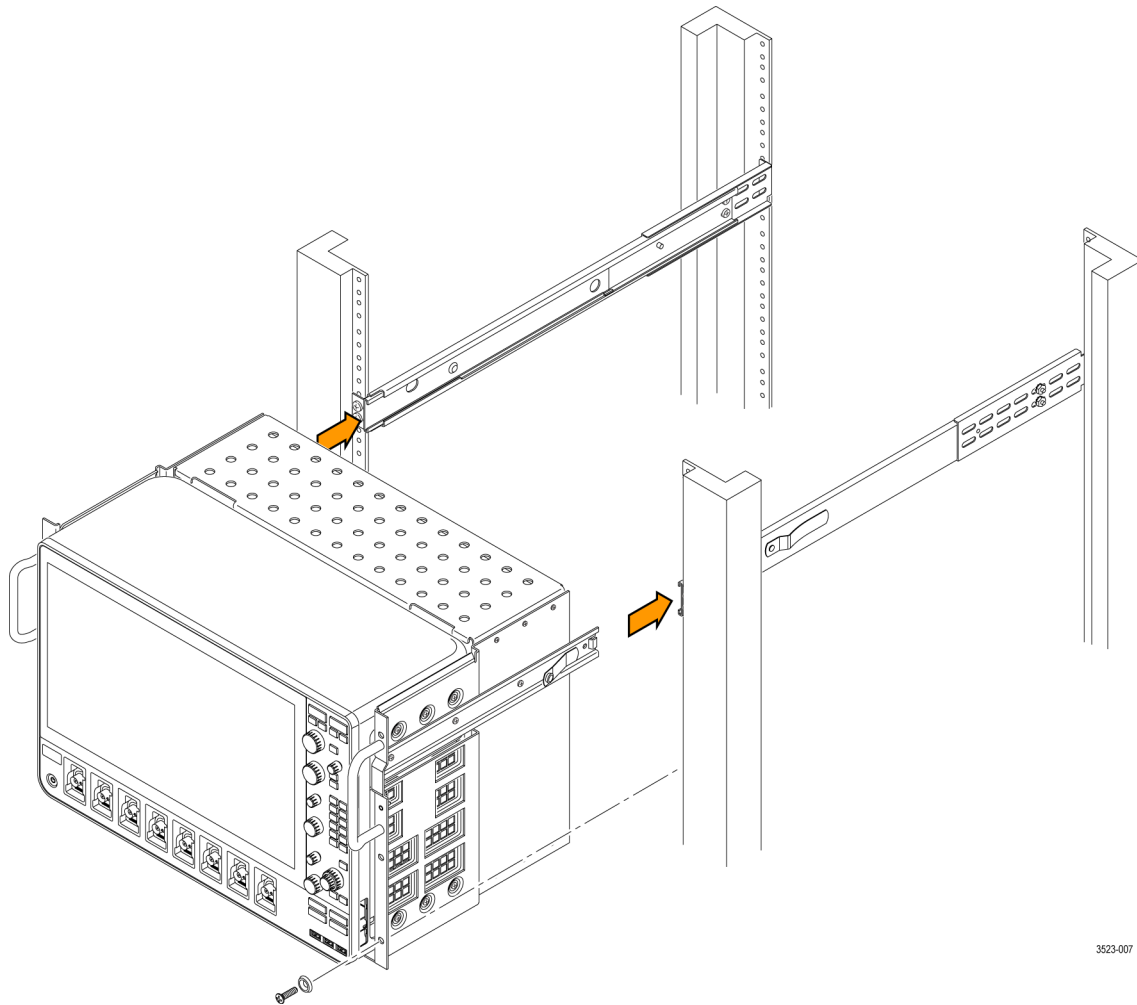


Figure 6: Installing the rail slides

6. Install the rack platform in your equipment rack by inserting the platform into the slides as shown.



3523-007

Figure 7: Installation of rack mounted instrument assembly in rack (top view)



WARNING. To avoid personal injury and prevent the instrument from tipping or dropping, use two or more people to install this instrument into the rack cabinet.

After completing the installation procedure, verify that the instrument and the rack cabinet will not tip forward while the instrument is in the extended position.

Do not leave the instrument extended when finished accessing the instrument.

7. Install the power cord. Provide access to a power plug or mains disconnect switch for turning the instrument on/off.
8. Optionally install any cables you need connected to the instrument rear panel.
9. Slide the instrument into the equipment rack, and secure the instrument to the rack using standard rack hardware.

Dimensions

Front panel

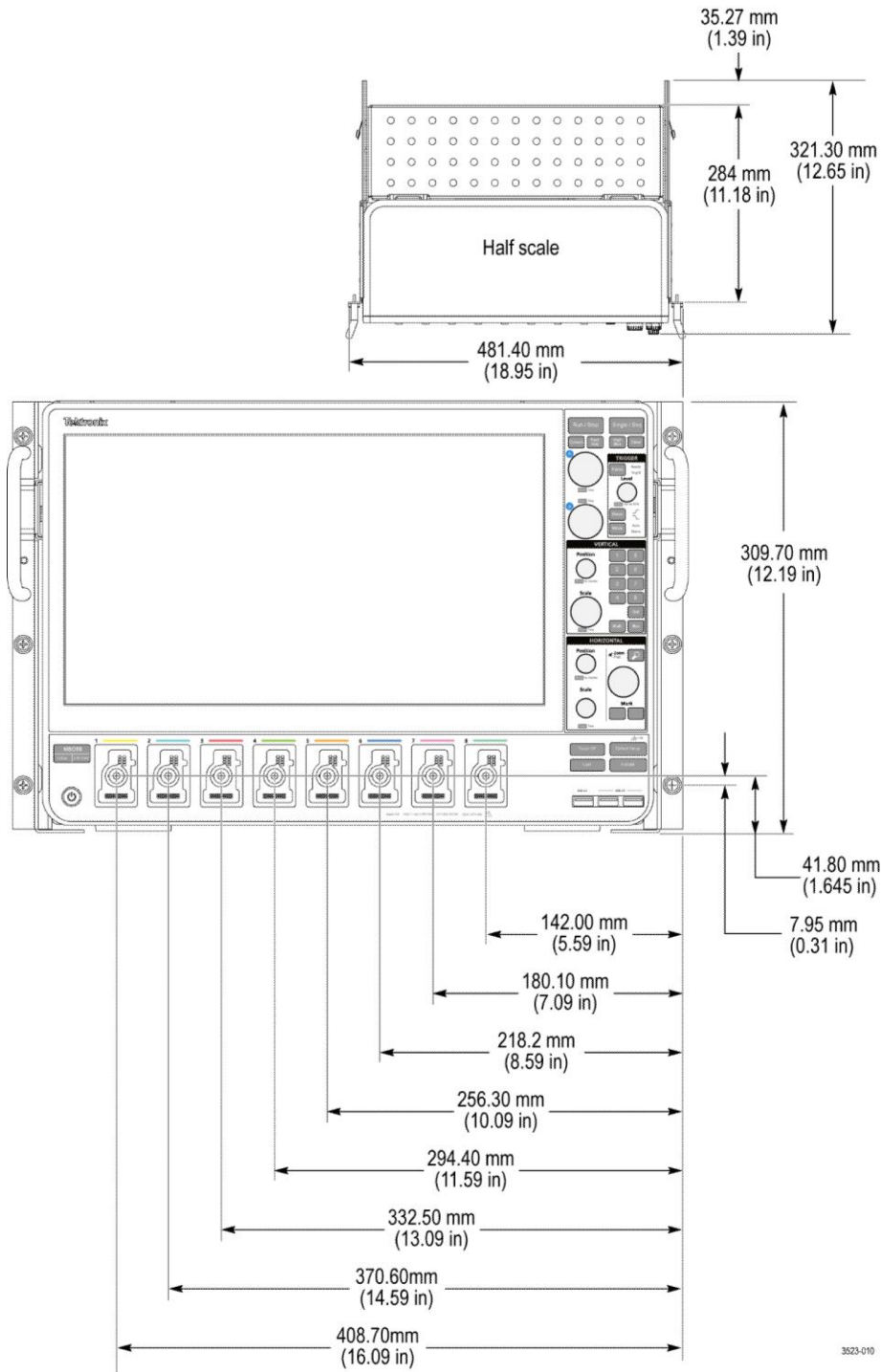


Figure 8: 5 Series MSO front panel

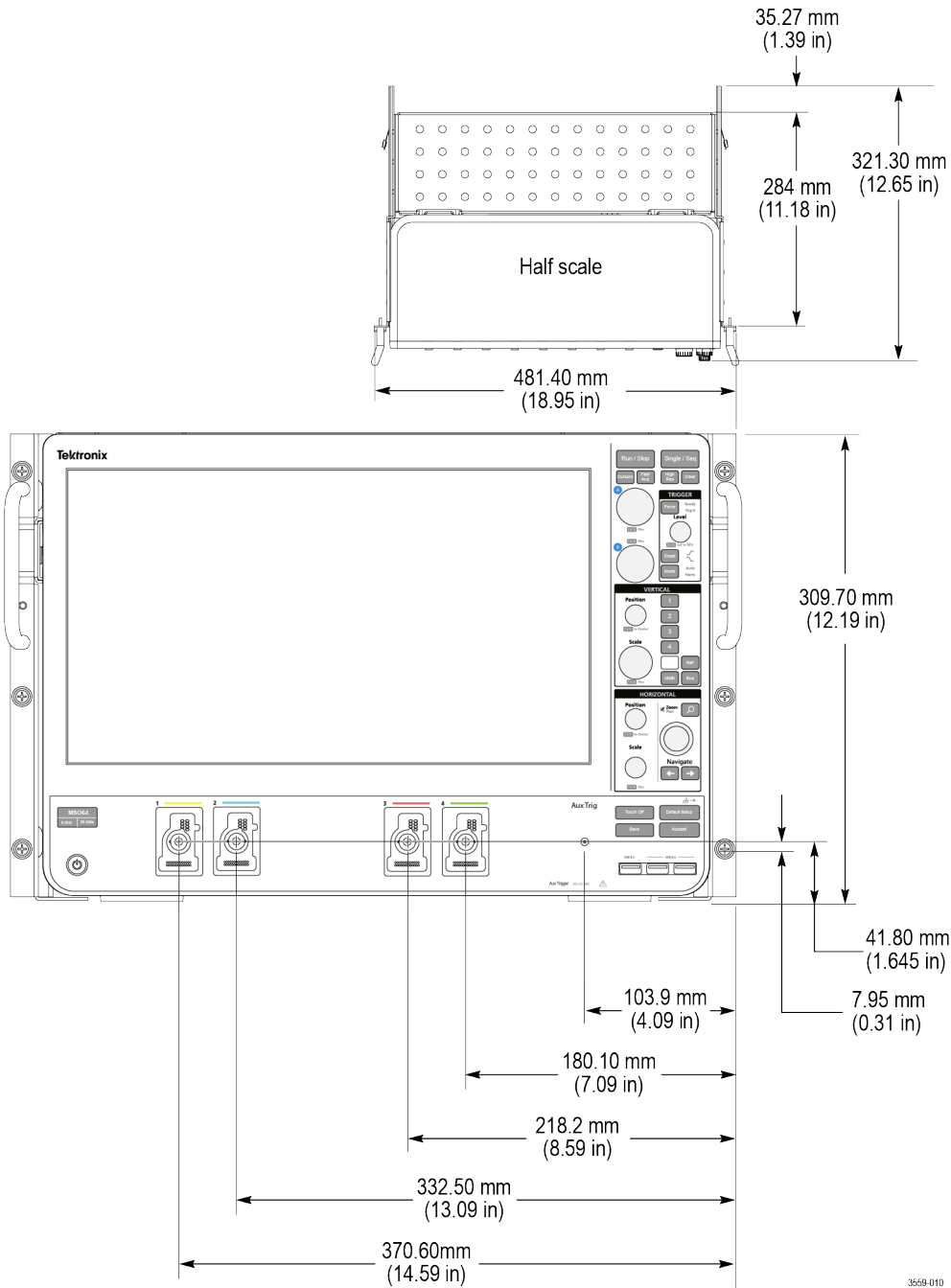


Figure 9: 6 Series MSO front panel

Rear panel

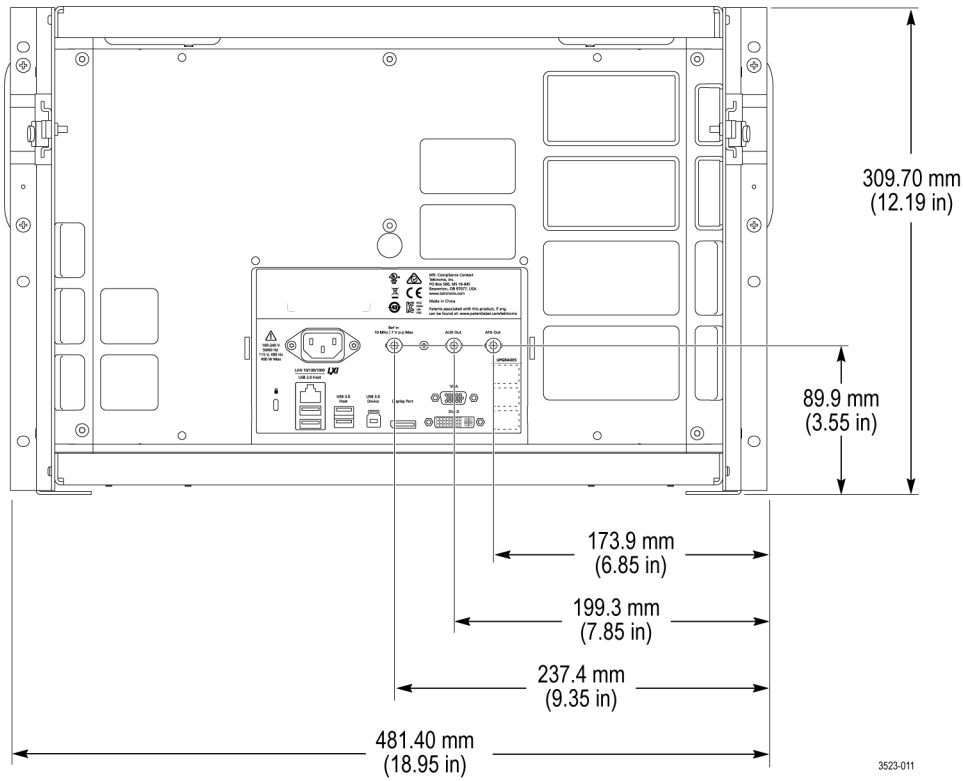


Figure 10: 5 Series MSO and 6 Series MSO rear panel

