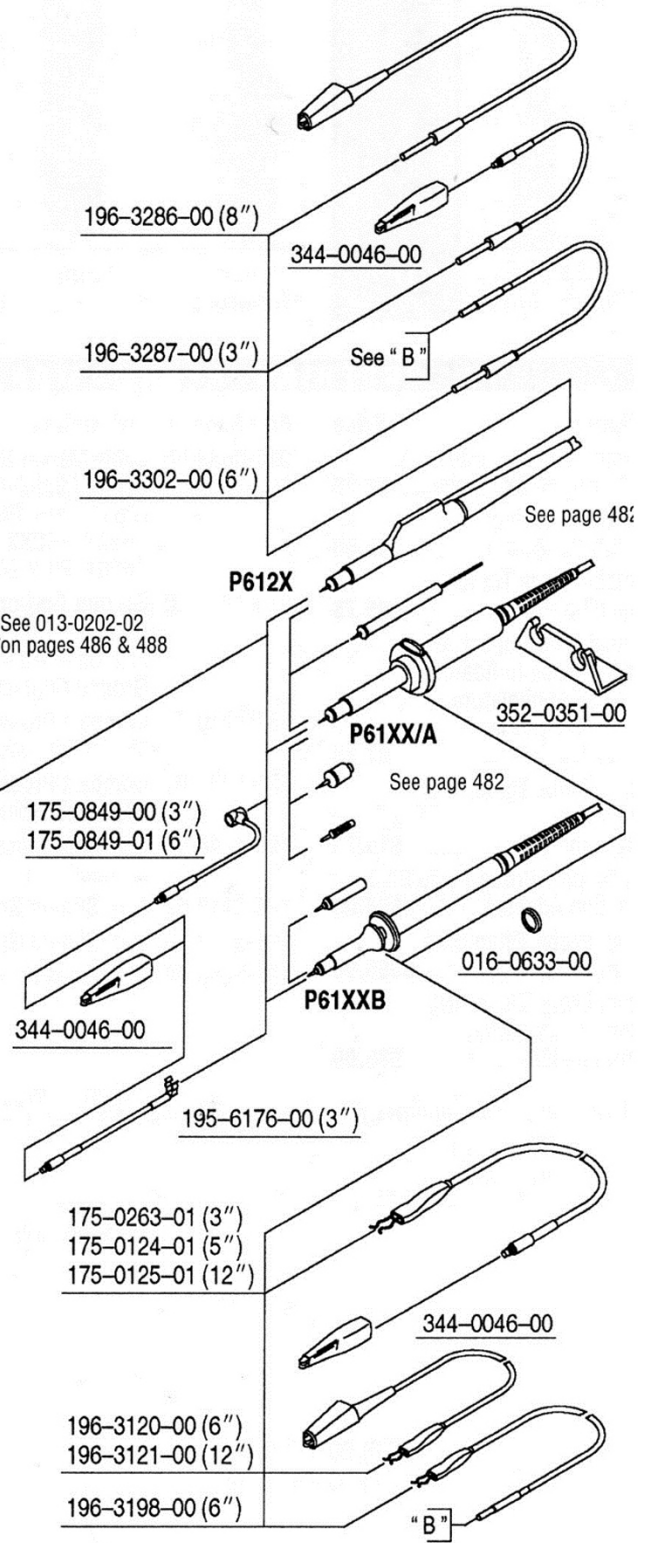
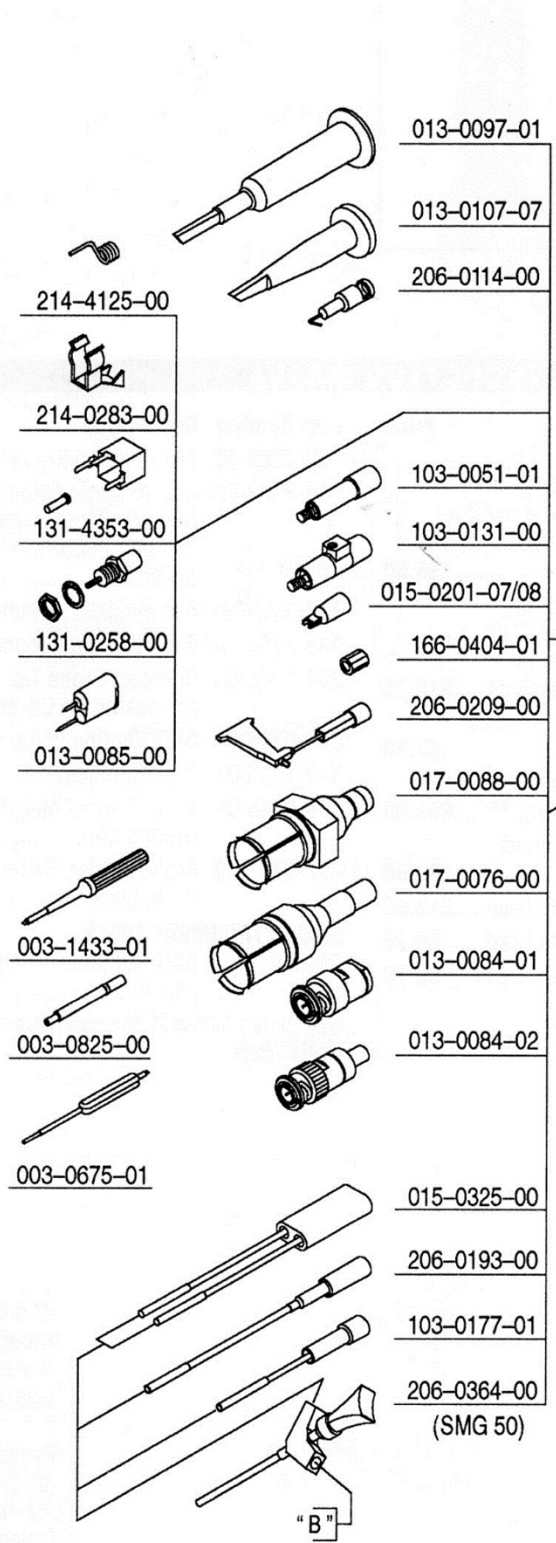


5mm (Miniature) Probe System

PROBE TIP SYSTEM

PROBE GROUND SYSTEM



NOT TO SCALE

Miniature Probe Accessories

Part Number	Description
003-1433-02	Adjustment Tool.
013-0084-04	Miniature Probe Tip To BNC Adapter (Non-terminated).
013-0085-00	Bayonet Ground Assembly.
013-0097-01	Retractable Hook Tip for P6202A and P6420 (Slate Gray).
013-0107-07	Retractable Hook Tip (for All Except P6202A and P6420) (Slate Gray).
013-0107-08	Retractable Hook Tip (Black).
015-0201-07	IC Test Ground Cover, Gray (100 Mil Spacing), Package of 10.
015-0325-01	Dual Lead Adapter.
016-0633-00	Cable Marker Set for All Modular Cables (P610X/A/B, P612X, P613X/A, P623X, P62XX Except P6201, P6202A).
103-0177-01	Flexible Tip.
131-0258-00	Chassis Mount Test Jack.
131-4353-00	Circuit Board Test Point, Package of 25.
166-0404-01	Insulating Ground Cover.
175-0849-00	3 in. Probe Tip Cap Lead for All Miniature Size Probe Tips.
196-3120-01	6 in. Clip-on Ground Lead.
196-3121-01	12 in. Clip-on Ground Lead.
196-3198-01	6 in. Clip-on Ground Lead (with 0.025 in. Pin Receptacle).
196-3286-00	10 in. Ground Lead.
196-3287-00	#6-32 Thread Ground Lead.
196-3302-00	6 in. Slip-on Ground Lead (with 0.025 in. Pin Receptacle).
206-0114-00	Hook Tip.
206-0193-00	Flex Tip for 0.025 In. Square Pin.
214-4125-00	Electrical Contact Ground.
344-0046-01	#6-32 Thread Alligator Ground Clip.
352-0351-00	Probe Holder, Self-adhesive Back, Black.

SMD Attachment Tools

Part Number	Description
206-0364-01	SMT KlipChip™ Adapter (Used with 0.025-Pin Receptacles).
SMG50	Package of 20 each SMT KlipChip Adapters.
013-0309-00	IC Grabber (2 each).

Please see P6563A for a complete selection of SMD Tools.