

Keithley Instruments
28775 Aurora Road
Cleveland, Ohio 44139
1-800-935-5595
tek.com/keithley

Introduction

This document contains the parts list and installation information for products that can be mounted with this rack-mount kit. The Model 4299-7 Fixed Rack-Mount Kit includes all of the hardware necessary for side-by-side rack mounting of two 3 1/2" high instruments. The kit also includes a front-panel plate that supports installation of a single 3 1/2" high instrument. The kit can be installed in a standard 19" rack.

CAUTION

This Model 4299-7 Fixed Rack-Mount Kit is intended for use in fixed installations only. It is not intended for mobile applications or any other application where the rack and mounted instruments are subject to vibration or shock.

Supported products

The Model 4299-7 Fixed Rack-Mount Kit allows you to mount one or two of the following models on a shelf-type mount.

Keithley Instruments model numbers

This kit supports the following Keithley instruments.

| Series | Model | Model |
|--------|-----------|------------|
| ▪ 2000 | ▪ 2182A | ▪ 428-PROG |
| ▪ 2100 | ▪ 2290-5 | ▪ 6220 |
| ▪ 2200 | ▪ 2290E-5 | ▪ 6221 |
| ▪ 2230 | ▪ 2290J-5 | ▪ 6430 |
| ▪ 2280 | ▪ 2290-10 | ▪ 6485 |
| ▪ 2300 | ▪ 2700 | ▪ 6487 |
| ▪ 2400 | ▪ 2701 | ▪ 6514 |
| ▪ 2500 | ▪ 3390 | ▪ 6517B |
| | | ▪ 7001 |

Tektronix instruments

This kit supports the following Tektronix bench instruments:

- PWS2000 and PWS4000 Series Power Supplies
- DMM4020, DMM4040, and DMM4050 Digital Multimeters

Tools required

- 11/32 in. nut driver
- Medium (#2) Phillips head screwdriver



Rack-mount kit parts list

NOTE

This kit provides parts to mount several different instruments. Some of the parts in the kit may not be used to mount all of the supported instruments. Save parts that are not used for use in the future.

Parts used on all instruments

See the table below for information about parts to mount all instruments listed in Supported products.

| Part number | Quantity | Item description |
|----------------|----------|--------------------------------------|
| 4299-7 | 1 | Rack-mount kit |
| 4299-7-301 | 1 | Chassis |
| 4299-7-302 | 1 | Bracket rear support, right |
| 4299-7-303 | 1 | Front panel |
| 4299-7-304 | 1 | Bracket rear support, left |
| 4299-7-305 | 1 | Front-panel plate (optional) |
| 4299-7-306 | 2 | Hold-down bracket |
| 8-32KEPNUT | 6 | #8-32 Keps® washer nut |
| 10-32 × 5/8PPH | 8 | #10-32 × 5/8 Phillips pan-head screw |
| FA-148 | 8 | Captive-nut fastener |
| 10-32KEPNUT | 4 | #10-32 Keps washer nut |
| 10-32 × 3/8PPH | 4 | #10-32 × 3/8 Phillips pan-head screw |

Parts for Keithley 2U instruments (except for Series 2200 and 3390 instruments)

See the following table for information about additional parts that you need to mount Keithley 2U instruments.

| Part number | Quantity | Item description |
|-------------------|----------|-------------------------------------|
| 4288-4-302 | 2 | Rear clamp |
| #8-32 × 3/8PPHSEM | 8 | #8-32 × 3/8 Phillips pan-head screw |
| WA-137-1 | 4 | Flat washer |

Parts for Keithley Series 2200, 2220, and 2230

See the following table for information about additional parts that you need to mount Series 2200 and 2230 instruments.

| Part number | Quantity | Item description |
|-------------------|----------|-------------------------------------|
| 386-7813-00 | 2 | Rear clamp |
| 211-1533-00 | 4 | M4 × 6 mm Phillips flat-head screw |
| #8-32 × 3/8PPHSEM | 4 | #8-32 × 3/8 Phillips pan-head screw |

Parts for Tektronix PWS2000 and PWS4000 instruments

See the following table for information about additional parts that you need to mount Tektronix PWS2000, and PWS4000 instruments.

| Part number | Quantity | Item description |
|-------------------|----------|-------------------------------------|
| 386-7813-00 | 2 | Rear clamp |
| 211-1533-00 | 4 | M4 x 6 mm Phillips flat-head screw |
| #8-32 x 3/8PPHSEM | 4 | #8-32 x 3/8 Phillips pan-head screw |

Parts for Keithley Series 2100 and Model 3390 instruments

See the following table for information about additional parts that you need to mount Series 2100 and 3390 instruments.

| Part number | Quantity | Item description |
|----------------|----------|---------------------------------------|
| 4299-7-307 | 2 | Rear clamp |
| 6-32 x 5/16PFH | 2 | #6-32 x 5/16 Phillips flat-head screw |
| M4 x 10PPH | 4 | M4 x 10 mm Phillips pan-head screw |
| WA-137-1 | 4 | Flat washer |

Parts for Tektronix DMM Series 4000 instruments

See the following table for information about any additional parts that you need to mount DMM Series 4000 instruments.

| Part number | Quantity | Item description |
|-------------------|----------|--|
| 4299-7-307 | 2 | Rear clamp |
| 8-32 x 7/16PHTRSH | 2 | #8-32 x 7/16 Phillips truss-head screw |
| 6-32 x 5/16PFH | 2 | #6-32 x 5/16 Phillips flat-head screw |

Parts for Keithley Models 2290-5, 2290E-5, 2290J-5, and 2290-10

See the following table for information about additional parts that you need to mount Model 2290 instruments.

| Part number | Quantity | Item description |
|---------------|----------|-------------------------------------|
| 4299-7-307 | 2 | Rear clamp |
| 6-32 x 1/4PPH | 12 | #6-32 x 1/4 Phillips pan-head screw |
| 6FWA | 12 | Stainless steel washer |

Parts for Keithley Series 2280S and 2281S

See the following table for information about additional parts that you need to mount Series 2280 instruments.

| Part number | Quantity | Item description |
|-------------------|----------|-------------------------------------|
| 4288-4-302 | 2 | Rear clamp |
| 4299-7-310 | 2 | Front clamp |
| #8-32 x 3/8PPHSEM | 4 | #8-32 x 3/8 Phillips pan-head screw |
| 8-32KEPNUT | 4 | #8-32 Keps washer nut |

Instrument preparation

The section provides instrument-specific procedures to prepare an instrument for rack mounting. Use the appropriate procedure for the instrument you are mounting to a rack.

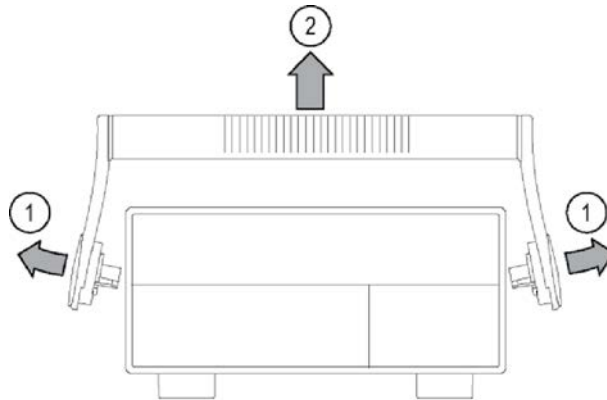
NOTE

Save all removed parts for reinstallation if the instrument is removed from the rack in the future.

To prepare Keithley Series 2100, 2200, 3390, and Tektronix instruments:

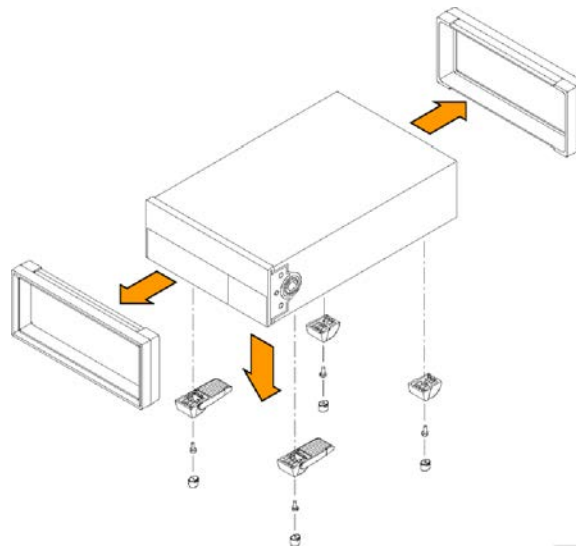
1. If present, remove the handle or caps from the instrument.

Figure 1: Remove the handle



2. Remove all boots and feet from the instrument.

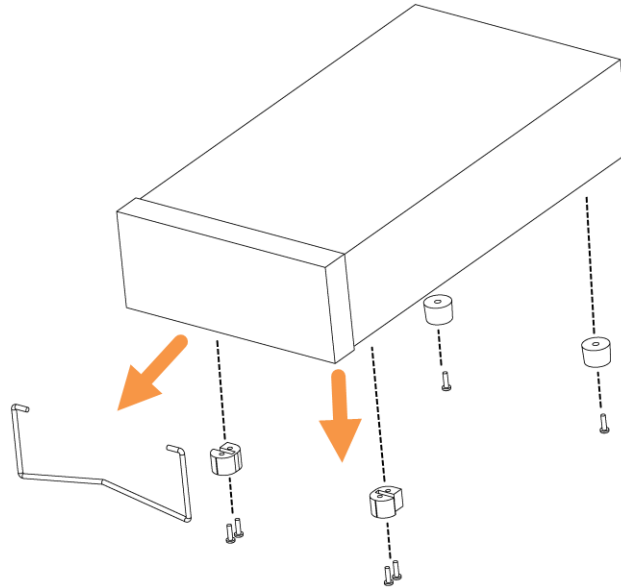
Figure 2: Remove the feet and boots



To prepare Keithley Models 2290-5, 2290E-5, 2290J-5, and 2290-10 instruments:

1. Remove all feet from the bottom of the instrument.
2. Remove the tilt bail handle.

Figure 3: Remove the feet and handle



To prepare other Keithley 2U products:

1. Remove the handles from the instruments. There are two styles of handles:
 - The newer style handle has orientation arrows at each end that are molded into the plastic. With this style, rotate the handle under the instrument until the arrows on the handle line up with arrows on the mounting ears. Pull out on the handle ends until the handle is clear of the mounting ears, and then remove the handle.
 - The older style of handle does not have orientation arrows. With this style, rotate the handle to the uppermost position.
2. Remove the screw that secures each mounting ear to the case, then remove both mounting ears. You do not need to remove the rear feet.
3. Remove the rubber from the two rear foot assemblies to expose the screws. Remove the screws that secure the plastic feet to the instrument.
4. Retain all material for future use.

Installation precautions

Observe the following safety precautions while installing instruments.

⚠ WARNING

Turn off instrument power and unplug all cables before installing an instrument in a rack. Failure to remove power before installation may cause personal injury or death from electrical shock.

CAUTION

Heat sources should be mounted away from the instrument, cabling, and accessories, with sufficient space provided between the instrument and heat source for airflow and cooling.

NOTE

To prevent damaging heat build-up and ensure specified performance, make sure there is adequate ventilation and air flow around the instrument to ensure proper cooling. Do not cover the ventilation holes on the sides or back of the instrument. The rear vents and both side vents must be unobstructed to properly dissipate heat.

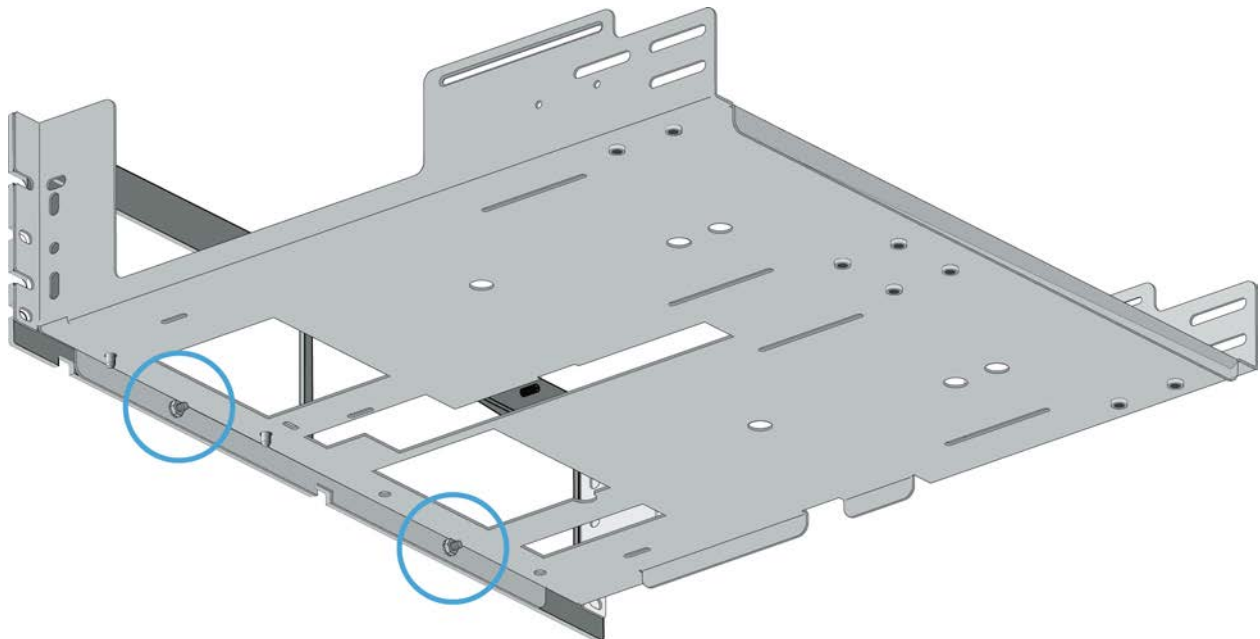
Mount precision equipment as low as possible in the rack, where temperatures are coolest.

Installation preparation

To prepare the instrument shelf:

1. As shown in the following figure, align the threaded studs on the front panel with the holes on the chassis and secure the front panel to the chassis using two #8-32 Keps washer nut fasteners provided.

Figure 4: Install the front plate



2. Install the two rear-support brackets to the chassis as shown in the following figure using two #10-32 \times 3/8 pan-head screws and two #10-32 Keps washer nut fasteners. Make sure the screws and nuts are in the correct orientation for your instrument.

Figure 5: Install the rear support brackets

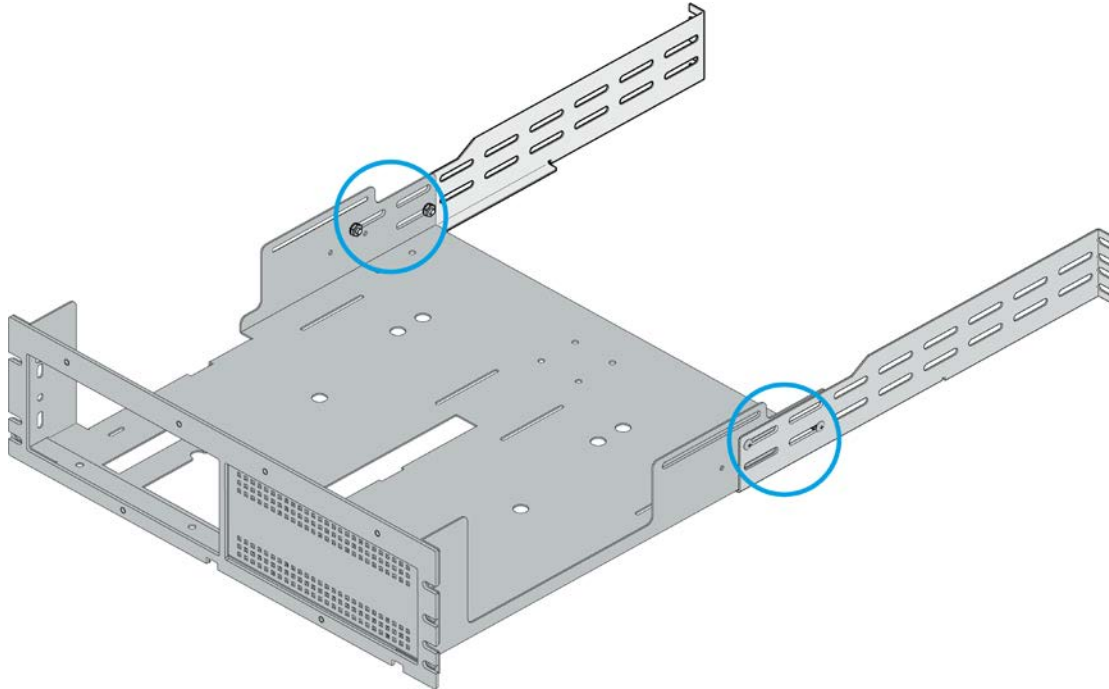
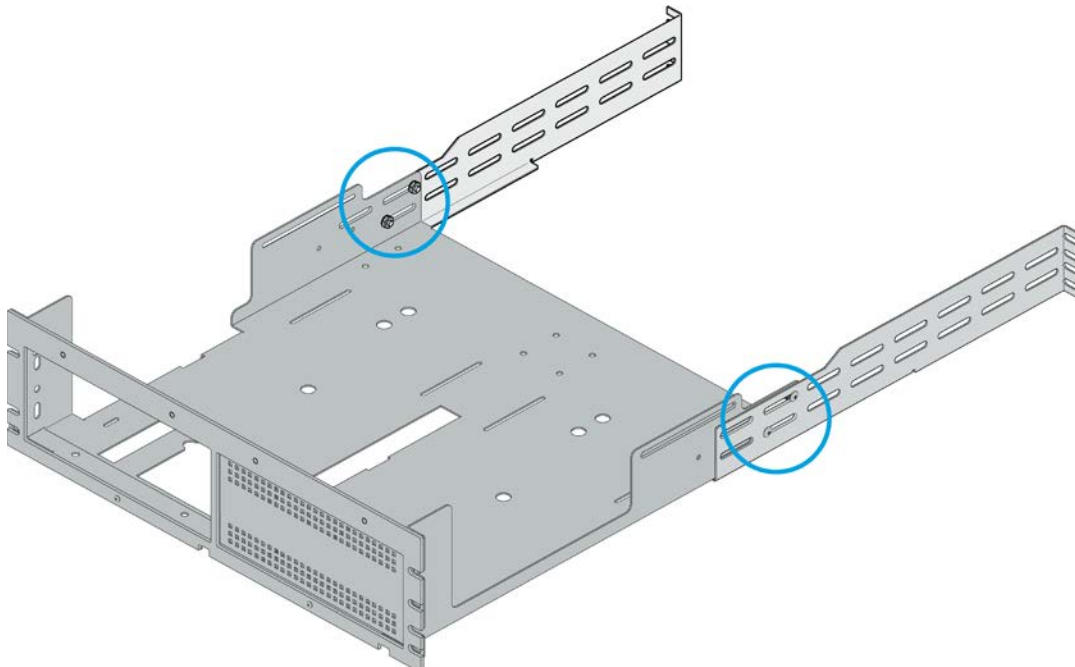
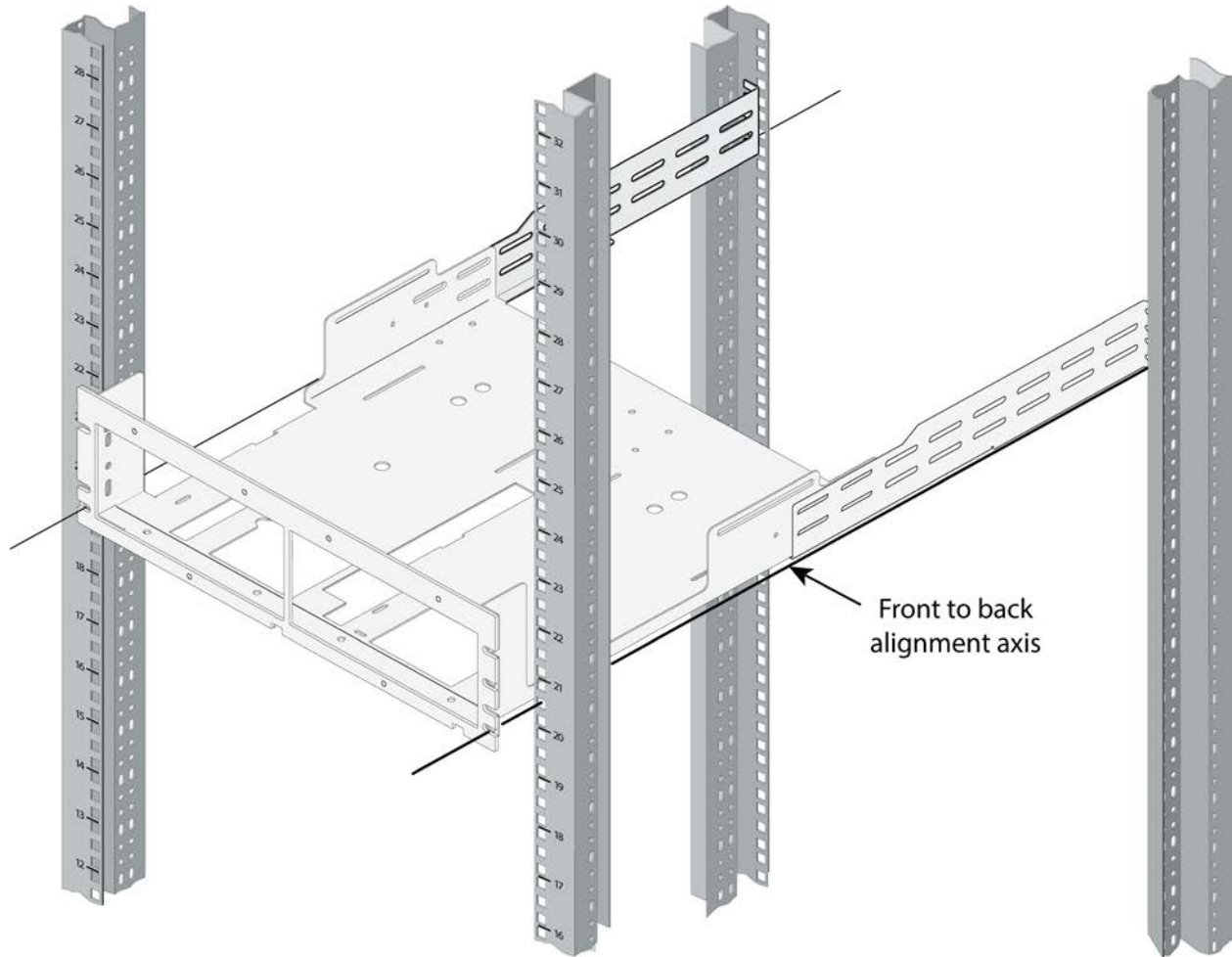


Figure 6: Series 2200 and 2300 rear support bracket assembly



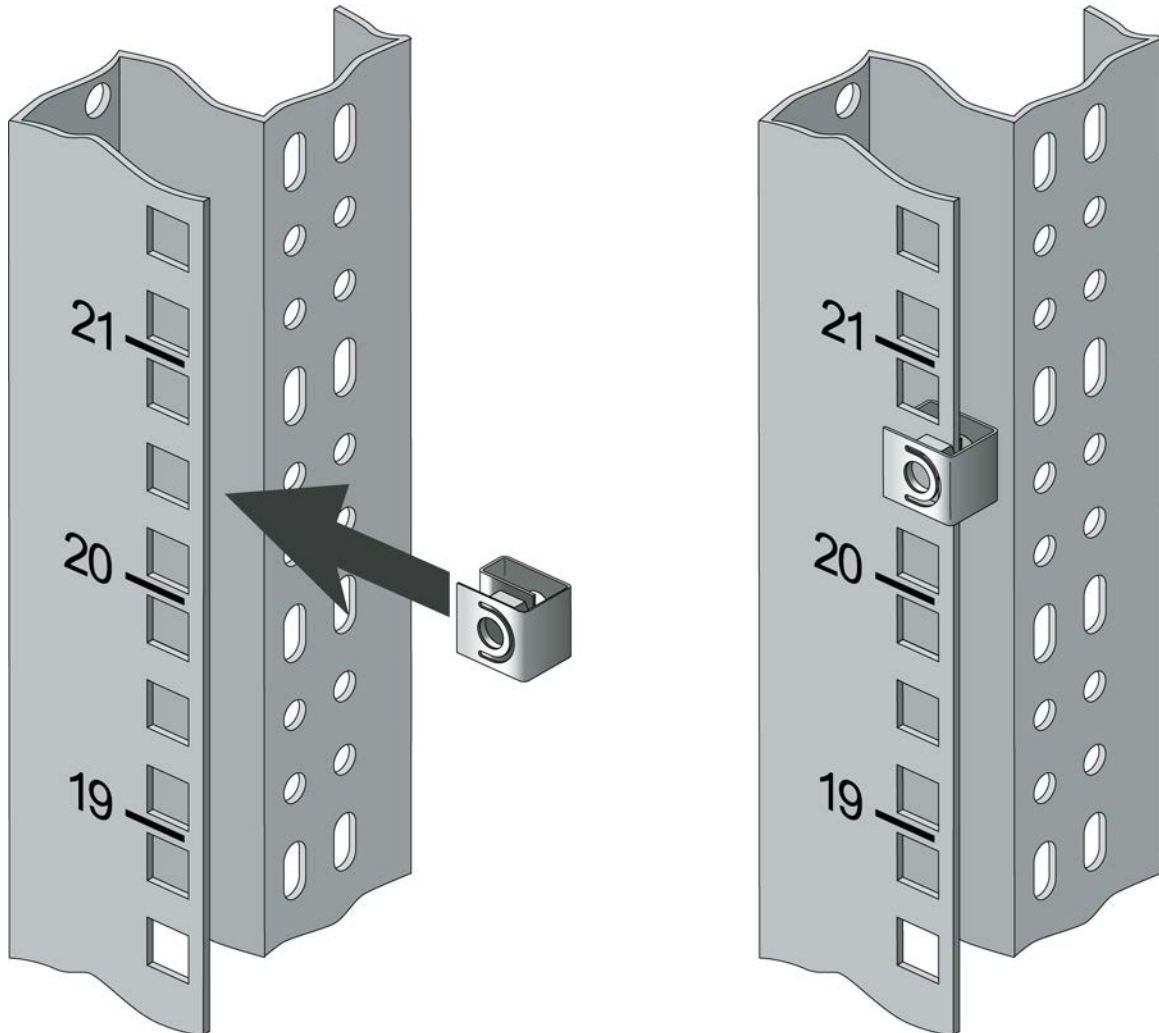
3. Select a location in the rack. The assembled rack and instrument fills 5 1/2" or 3U of vertical space.
4. To determine where to install the captive nut fasteners (FA-148) on the rack rails, position the shelf in the rack as shown in the following figure and mark the rails for the fastener locations.

Figure 7: Positioning the shelf



5. On the front and rear rack rails, install the eight captive nut fasteners (FA-148) in the holes marked earlier as shown in the following figure.

Figure 8: Install the captive-nut fasteners



6. Install the assembled shelf on the rack and secure it to the rails with eight #10-32 x 5/8 Phillips pan-head screws.

Install an instrument on the chassis

1. Determine where you will install the instrument.
2. If you are mounting one instrument, align the front-panel plate (4299-7-305) to the front panel on the side that will not contain an instrument. Refer to [Install front-panel plate \(optional\)](#) (on page 11)
3. Secure the instruments to the front panel and chassis using the brackets and clamps shown in the instrument-specific instructions as follows:
 - Refer to the [Keithley 2U instruments](#) (on page 12) if you are mounting any of the Keithley 2U instruments listed in [Supported products](#) (on page 1) (except Series 2200, 2100, and 3390 instruments).
 - Refer to the [Keithley Series 2200, 2220, 2220G, 2230, and 2230G](#) (on page 14) if you are mounting Keithley Series 2200, 2220, 2220G, 2230 or 2230G series.
 - Refer to the [Tektronix PWS2000 and PWS4000](#) (on page 16) if you are mounting Tektronix PWS2000, or Tektronix PWS4000 Series.
 - Refer to the [Keithley series 2280 and 2281](#) (on page 18) if you are mounting Keithley Series 2280 or 2281 digital multimeters.
 - Refer to the [Keithley Series 2100 and Model 3390](#) (on page 21) if you are mounting Keithley Series 2100 or 3390 digital multimeters.
 - Refer to the [Tektronix DMM4020, DMM4040, and DMM4050](#) (on page 23) if you are mounting Tektronix DMM4020, DMM4040, or DMM4050 digital multimeters.
 - Refer to the [Models 2290-5, 2290E-5, 2290J-5, and 2290-10](#) (on page 25) if you are mounting the Model 2290-5, 2290E-5, 2290J-5, or 2290-10 High-Voltage Power Supply.
4. Make sure that all fasteners are tight.

Install front-panel plate (optional)

Use the following instructions to install the front-panel plate if needed. The front-panel plate is used to cover an open slot in the front panel as shown in the following figure.

To install the front-panel plate:

1. Align the front-panel plate with the threaded studs on the front panel.
2. Install the front-panel plate on the front panel with two #8-32 Keps nuts.
3. Make sure that the panel appears as shown in the following figures.

Figure 9: Install the front-panel plate

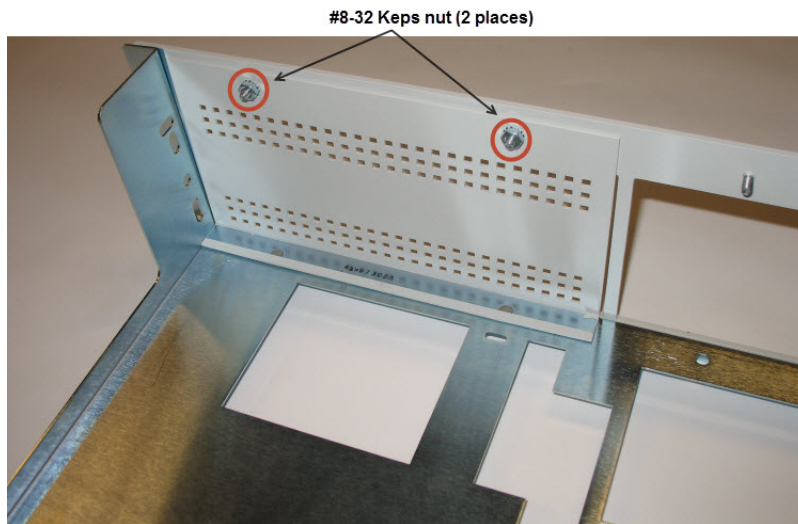


Figure 10: The front-panel plate installed



Keithley 2U instruments

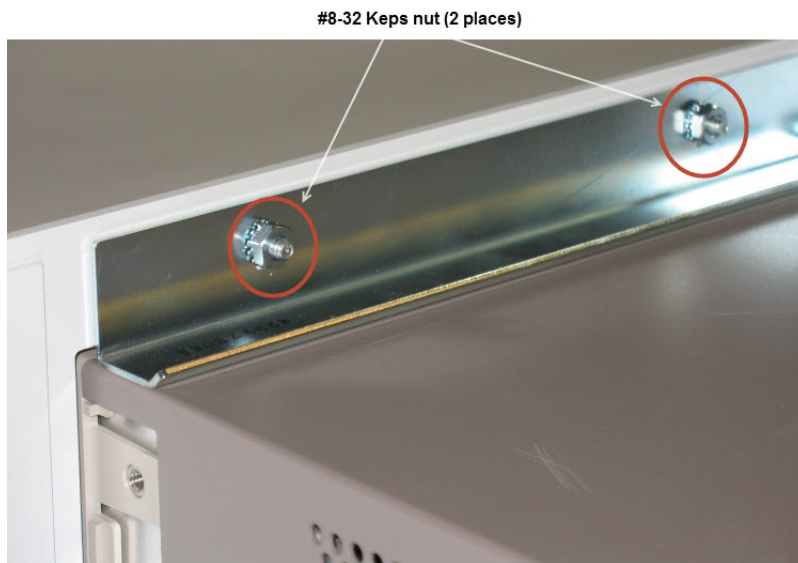
Use the following instructions to install all Keithley 2U instruments listed in [Supported products](#) (on page 1) (except Series 2200, 2100, and 3390).

NOTE

If you are mounting two different types of instruments in the same rack, refer to the applicable figure for each type of instrument.

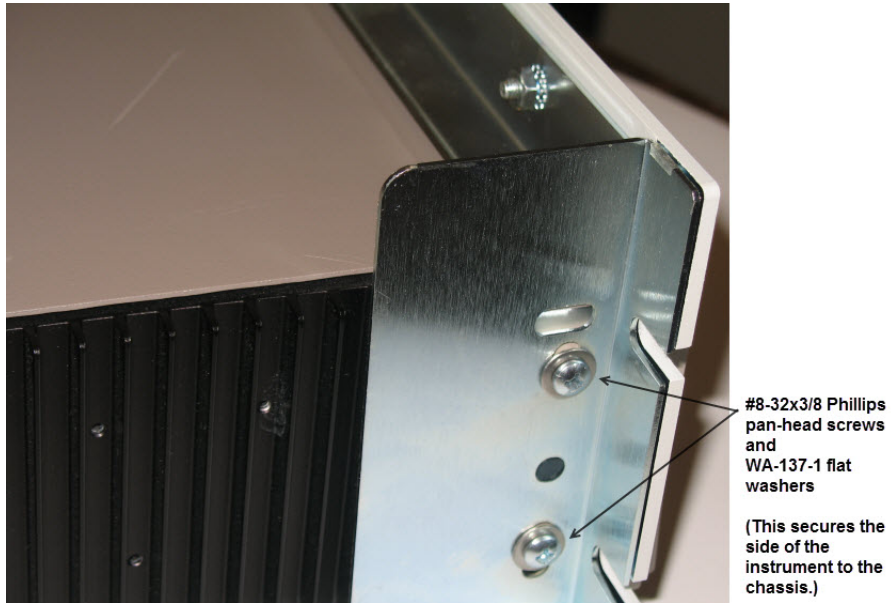
1. Place the instrument in a vacant space on the chassis.
2. Secure the instrument to the chassis with the hold-down bracket (4299-7-306) and two #8-32 Keps nuts, as shown in the following figure.

Figure 11: Install the hold-down bracket on the front panel



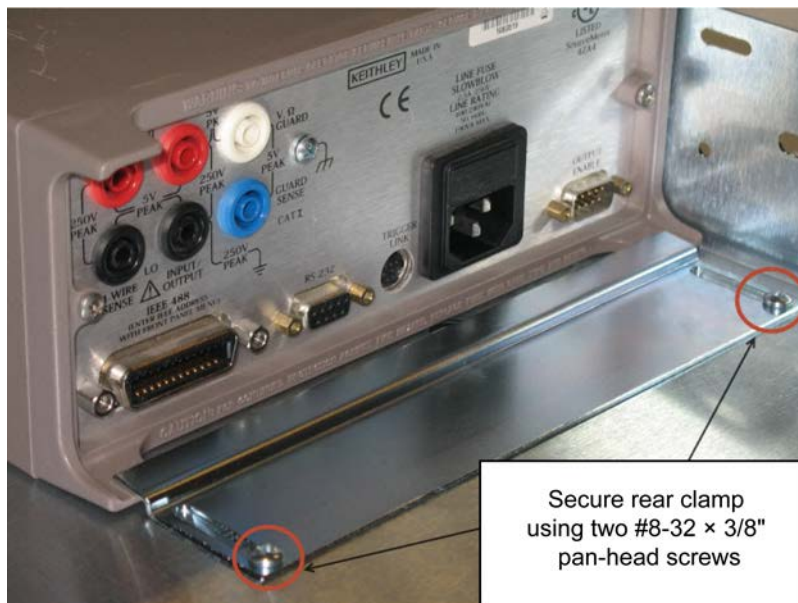
- Secure the instrument to the chassis using two #8-32 x 3/8" pan-head screws and WA-137-1 flat washers per side as shown in the following figure.

Figure 12: Install the support bracket



- Install the rear clamp using two #8-32 x 3/8" pan-head screws as shown in the following figure.

Figure 13: Clamp the instrument to the chassis



Keithley Series 2200, 2220, 2220G, 2230, and 2230G

Use the following instructions to install the Keithley Series 2220, 2220G, 2230, and 2230G instruments to the chassis.

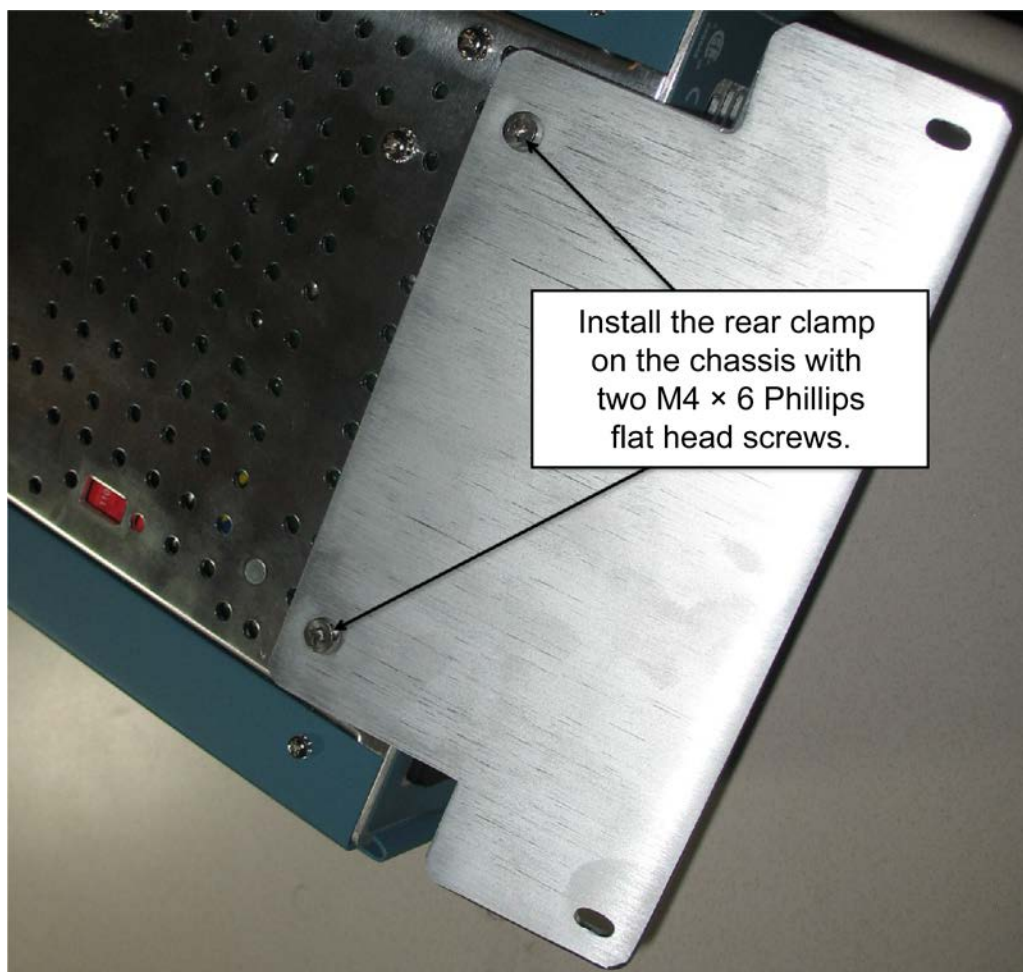
NOTE

The following figures show the rack with one instrument. If you are mounting two different types of instruments in the same rack, refer to the appropriate figure for each type of instrument.

To install the instruments:

1. Align the rear clamp (4288-4-302) with the bottom-rear of the instrument.

Figure 14: Install the rear clamp



2. Secure the rear clamp to the instrument with two M4 × 6 Phillips flat-head screws.
3. Place the instrument in a vacant space on the chassis.
4. Secure the instrument to the front of the chassis with the hold-down bracket (4299-7-306) and two #8-32 Keps nuts as shown in the following figure.

Figure 15: Secure the instrument to the chassis



5. Secure the instrument to the rear of the chassis with the rear clamp using two #8-32 × 3/8" pan-head screws as shown in the following figure.

Figure 16: Secure the instrument with the rear clamp



Tektronix PWS2000 and PWS4000

Use the following instructions to install the Tektronix PWS2000 and PWS4000 instruments to the chassis.

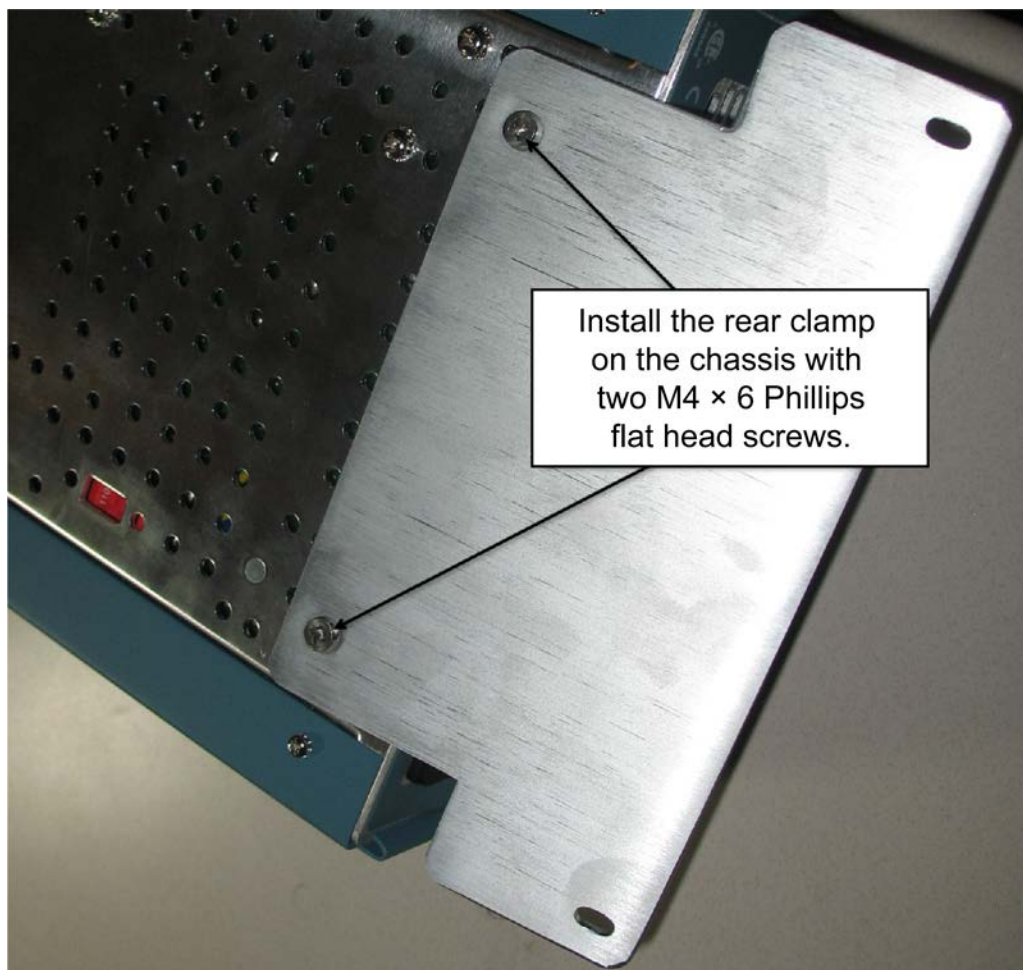
NOTE

The following figures show the rack with one instrument. If you are mounting two different types of instruments in the same rack, refer to the appropriate figure for each type of instrument.

To install the instruments:

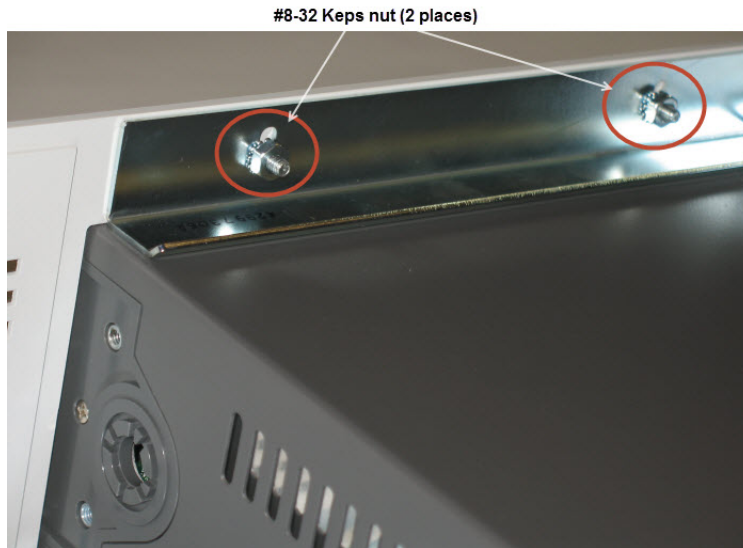
1. Align the rear clamp (4288-4-302) with the bottom-rear of the instrument.

Figure 17: Install the rear clamp



2. Secure the rear clamp to the instrument with two M4 × 6 Phillips flat-head screws.
3. Place the instrument in a vacant space on the chassis.
4. Secure the instrument to the front of the chassis with the hold-down bracket (4299-7-306) and two #8-32 Keps nuts as shown in the following figure.

Figure 18: Secure the instrument to the chassis



5. Secure the instrument to the rear of the chassis with the rear clamp using two #8-32 × 3/8" pan-head screws as shown in the following figure.

Figure 19: Secure the instrument with the rear clamp



Keithley series 2280 and 2281

Use the following instructions to install the Keithley Series 2280 and 2281 instruments to the chassis.

NOTE

The following figures show the rack with one instrument. If you are mounting two different types of instruments in the same rack, refer to the appropriate figure for each type of instrument.

To install the instruments:

1. Install the front clamp (4299-7-310) on the front panel threaded studs as shown in the following figure.

Figure 20: Install the front clamp



2. Thread a #8-32 Keps nut on each of the studs, but do not tighten them.
3. Place the instrument on the chassis and slide it forward until it rests securely against the front clamp as shown in the following figure.

Figure 21: Install the instrument on the chassis



4. Tighten the two nuts to secure the instrument as shown in the following figure.

Figure 22: Secure the instrument



5. Place the rear clamp (4299-7-307A) over the rear of the instrument.
6. Secure the clamp with using two #8-32 x 3/8" pan-head screws and WA-137-1 flat washers as shown in the following figure.

Figure 23: Install the rear clamp



Keithley Series 2100 and Model 3390

Use the following instructions to install the Series 2100 and Model 3390 instruments.

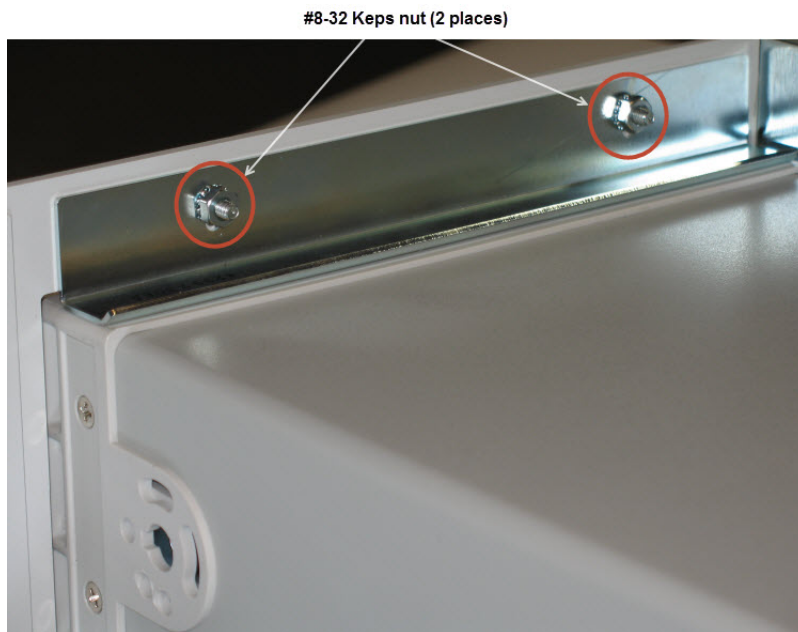
NOTE

The following figures show the rack with one instrument. If you are mounting two different types of instruments in the same rack, refer to the appropriate figure for each type of instrument.

To install the instruments:

1. Place the instrument in a vacant space on the chassis.
2. Secure the instrument to the front of the chassis with the hold-down bracket (4299-7-306) and two #8-32 Keps nuts as shown in the following figure.

Figure 24: Install the hold-down bracket on the front panel

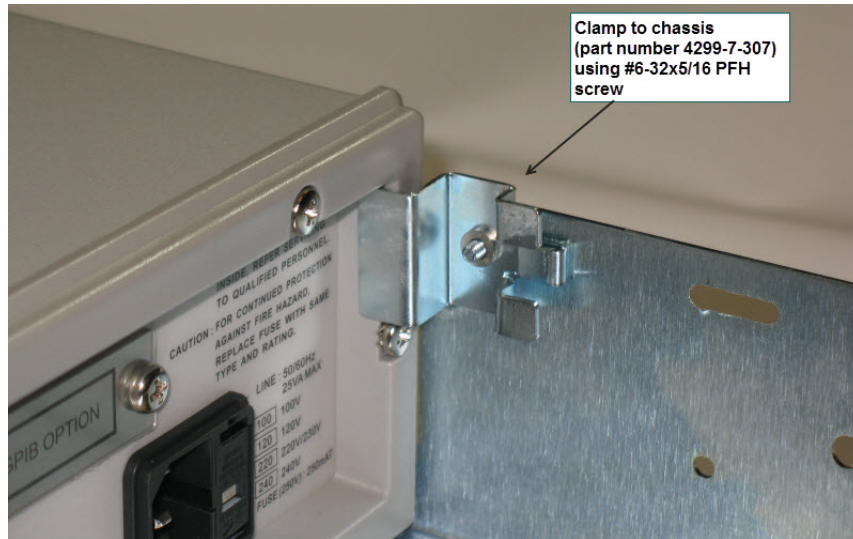


- Secure the instrument to the chassis using two #8-32 x 3/8" pan-head screws and WA-137-1 flat washers per side as shown in the following figure.

Figure 25: Install the support bracket



- Install rear clamp (4299-7-307) to chassis with #6-32 x 5/16" Phillips flat-head screw.



Tektronix DMM4020, DMM4040, and DMM4050

Use the following instructions to install the DMM4020, DMM4040, and DMM4050 instruments.

NOTE

The following figures show the rack with one instrument. If you are mounting two different types of instruments in the same rack, refer to the appropriate figure for each type of instrument.

To install the instruments:

1. Place the instrument in a vacant space on the chassis.
2. Secure the instrument to the front of the chassis with the hold-down bracket (4299-7-306) and two #8-32 Keps nuts as shown in the following figure.

Figure 26: Install the hold-down bracket on the front panel



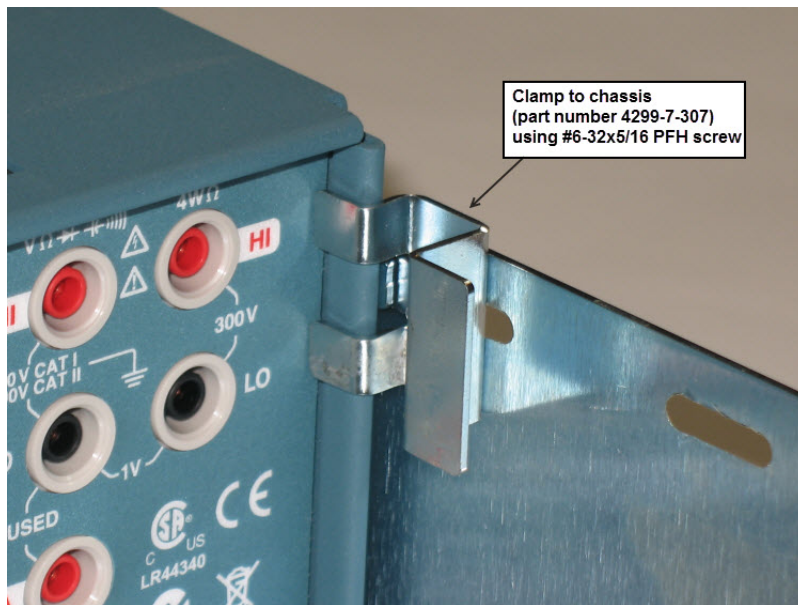
- Secure the instrument to the chassis using a #8-32 x 7/16" Phillips pan-head screw on each side of the instrument as shown in the following figure.

Figure 27: Install the support bracket



- Install the rear clamp (4299-7-307) to the chassis with a #6-32 x 5/16" Phillips flat-head screw.

Figure 28: Install the rear bracket

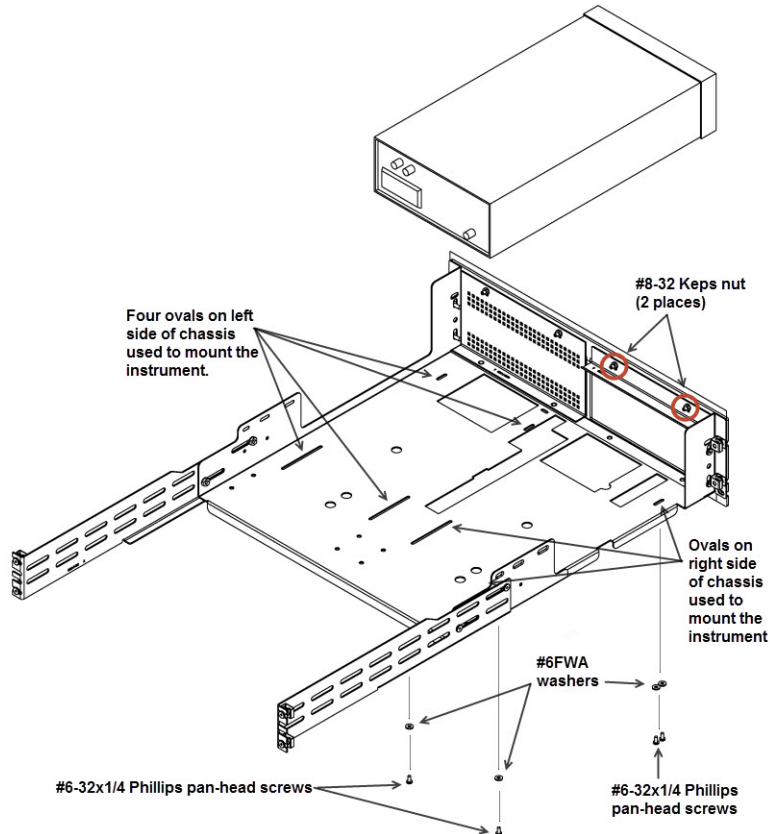


Models 2290-5, 2290E-5, 2290J-5, and 2290-10

NOTE

The following figures show the rack with one instrument. If you are mounting two different types of instruments in the same rack, refer to the appropriate figure for each type of instrument.

Figure 29: Model 2290 rack mount



Using the holes originally intended for the instrument feet, mount the instrument using two #6-32 x 1/4 PPH screws and washers in each front slot and one screw and washer in each rear slot.

NOTE

You will use a total of six screws and washers on the right side of the chassis and eight screws and washers on the left side due to the cutouts in the chassis.

Contact information

If you have any questions after you review the information in this documentation, please contact your local Keithley Instruments office, sales partner, or distributor. You can also call the corporate headquarters of Keithley Instruments (toll-free inside the U.S. and Canada only) at 1-800-935-5595, or from outside the U.S. at +1-440-248-0400. For worldwide contact numbers, visit the [Keithley Instruments website](http://www.tek.com/keithley) (<http://www.tek.com/keithley>).

The following safety precautions should be observed before using this product and any associated instrumentation. Although some instruments and accessories would normally be used with nonhazardous voltages, there are situations where hazardous conditions may be present.

This product is intended for use by personnel who recognize shock hazards and are familiar with the safety precautions required to avoid possible injury. Read and follow all installation, operation, and maintenance information carefully before using the product. Refer to the user documentation for complete product specifications.

If the product is used in a manner not specified, the protection provided by the product warranty may be impaired.

The types of product users are:

Responsible body is the individual or group responsible for the use and maintenance of equipment, for ensuring that the equipment is operated within its specifications and operating limits, and for ensuring that operators are adequately trained.

Operators use the product for its intended function. They must be trained in electrical safety procedures and proper use of the instrument. They must be protected from electric shock and contact with hazardous live circuits.

Maintenance personnel perform routine procedures on the product to keep it operating properly, for example, setting the line voltage or replacing consumable materials. Maintenance procedures are described in the user documentation. The procedures explicitly state if the operator may perform them. Otherwise, they should be performed only by service personnel.

Service personnel are trained to work on live circuits, perform safe installations, and repair products. Only properly trained service personnel may perform installation and service procedures.

Keithley products are designed for use with electrical signals that are measurement, control, and data I/O connections, with low transient overvoltages, and must not be directly connected to mains voltage or to voltage sources with high transient overvoltages. Measurement Category II (as referenced in IEC 60664) connections require protection for high transient overvoltages often associated with local AC mains connections. Certain Keithley measuring instruments may be connected to mains. These instruments will be marked as category II or higher.

Unless explicitly allowed in the specifications, operating manual, and instrument labels, do not connect any instrument to mains.

Exercise extreme caution when a shock hazard is present. Lethal voltage may be present on cable connector jacks or test fixtures. The American National Standards Institute (ANSI) states that a shock hazard exists when voltage levels greater than 30 V RMS, 42.4 V peak, or 60 VDC are present. A good safety practice is to expect that hazardous voltage is present in any unknown circuit before measuring.

Operators of this product must be protected from electric shock at all times. The responsible body must ensure that operators are prevented access and/or insulated from every connection point. In some cases, connections must be exposed to potential human contact. Product operators in these circumstances must be trained to protect themselves from the risk of electric shock. If the circuit is capable of operating at or above 1000 V, no conductive part of the circuit may be exposed.

Do not connect switching cards directly to unlimited power circuits. They are intended to be used with impedance-limited sources. NEVER connect switching cards directly to AC mains. When connecting sources to switching cards, install protective devices to limit fault current and voltage to the card.

Before operating an instrument, ensure that the line cord is connected to a properly-grounded power receptacle. Inspect the connecting cables, test leads, and jumpers for possible wear, cracks, or breaks before each use.

When installing equipment where access to the main power cord is restricted, such as rack mounting, a separate main input power disconnect device must be provided in close proximity to the equipment and within easy reach of the operator.

For maximum safety, do not touch the product, test cables, or any other instruments while power is applied to the circuit under test. ALWAYS remove power from the entire test system and discharge any capacitors before: connecting or disconnecting cables or jumpers, installing or removing switching cards, or making internal changes, such as installing or removing jumpers.

Do not touch any object that could provide a current path to the common side of the circuit under test or power line (earth) ground. Always make measurements with dry hands while standing on a dry, insulated surface capable of withstanding the voltage being measured.


For safety, instruments and accessories must be used in accordance with the operating instructions. If the instruments or accessories are used in a manner not specified in the operating instructions, the protection provided by the equipment may be impaired.


Do not exceed the maximum signal levels of the instruments and accessories. Maximum signal levels are defined in the specifications and operating information and shown on the instrument panels, test fixture panels, and switching cards.


When fuses are used in a product, replace with the same type and rating for continued protection against fire hazard.

Chassis connections must only be used as shield connections for measuring circuits, NOT as protective earth (safety ground) connections.

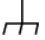
If you are using a test fixture, keep the lid closed while power is applied to the device under test. Safe operation requires the use of a lid interlock.

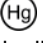
If a  screw is present, connect it to protective earth (safety ground) using the wire recommended in the user documentation.

The  symbol on an instrument means caution, risk of hazard. The user must refer to the operating instructions located in the user documentation in all cases where the symbol is marked on the instrument.

The  symbol on an instrument means warning, risk of electric shock. Use standard safety precautions to avoid personal contact with these voltages.


The  symbol on an instrument shows that the surface may be hot. Avoid personal contact to prevent burns.

The  symbol indicates a connection terminal to the equipment frame.

If this  symbol is on a product, it indicates that mercury is present in the display lamp. Please note that the lamp must be properly disposed of according to federal, state, and local laws.

The **WARNING** heading in the user documentation explains hazards that might result in personal injury or death. Always read the associated information very carefully before performing the indicated procedure.

The **CAUTION** heading in the user documentation explains hazards that could damage the instrument. Such damage may invalidate the warranty.

The **CAUTION** heading with the  symbol in the user documentation explains hazards that could result in moderate or minor injury or damage the instrument. Always read the associated information very carefully before performing the indicated procedure. Damage to the instrument may invalidate the warranty.

Instrumentation and accessories shall not be connected to humans.

Before performing any maintenance, disconnect the line cord and all test cables.

To maintain protection from electric shock and fire, replacement components in mains circuits — including the power transformer, test leads, and input jacks — must be purchased from Keithley. Standard fuses with applicable national safety approvals may be used if the rating and type are the same. The detachable mains power cord provided with the instrument may only be replaced with a similarly rated power cord. Other components that are not safety-related may be purchased from other suppliers as long as they are equivalent to the original component (note that selected parts should be purchased only through Keithley to maintain accuracy and functionality of the product). If you are unsure about the applicability of a replacement component, call a Keithley office for information.

Unless otherwise noted in product-specific literature, Keithley instruments are designed to operate indoors only, in the following environment: Altitude at or below 2,000 m (6,562 ft); temperature 0 °C to 50 °C (32 °F to 122 °F); and pollution degree 1 or 2.

To clean an instrument, use a cloth dampened with deionized water or mild, water-based cleaner. Clean the exterior of the instrument only. Do not apply cleaner directly to the instrument or allow liquids to enter or spill on the instrument. Products that consist of a circuit board with no case or chassis (e.g., a data acquisition board for installation into a computer) should never require cleaning if handled according to instructions. If the board becomes contaminated and operation is affected, the board should be returned to the factory for proper cleaning/servicing.

Safety precaution revision as of June 2017.