

R&S® RT-ZC15B Current Probe User Manual



1409826202

Version 02

ROHDE & SCHWARZ

Make ideas real



This manual describes the following Rohde & Schwarz product:

- R&S®RT-ZC15B, Current Probe (1409.8227.02)

© 2020 Rohde & Schwarz GmbH & Co. KG

Mühlhofstr. 15, 81671 München, Germany

Phone: +49 89 41 29 - 0

Email: info@rohde-schwarz.com

Internet: www.rohde-schwarz.com

Subject to change – data without tolerance limits is not binding.

R&S® is a registered trademark of Rohde & Schwarz GmbH & Co. KG.

Trade names are trademarks of the owners.

1409.8262.02 | Version 02 | R&S®RT-ZC15B

The following abbreviations are used in this manual: R&S®RT-ZC15B is abbreviated as R&S RT-ZC15B.

Contents

1 Notes on Safety	5
2 Product Description	9
2.1 Product Overview.....	9
2.2 Key Features.....	9
2.3 Inspecting the Contents.....	9
2.4 Description of the Probe.....	11
2.4.1 Probe Head.....	11
2.4.2 Probe Box.....	12
3 Putting into Operation	13
3.1 Connecting the Probe to the Oscilloscope.....	13
3.2 Identification of the Probe.....	14
3.3 Setting Up and Demagnetizing.....	15
3.4 Connecting the Probe to the DUT.....	16
4 Maintenance and Service	21
4.1 Cleaning.....	21
4.2 Contacting Customer Support.....	21
4.3 Returning for Servicing.....	22
4.4 Calibration Interval.....	22
4.5 Discarding the Product.....	23

1 Notes on Safety

Thank you for purchasing the R&S RT-ZC15B current probe.

To obtain maximum performance from the device, please read this manual first, and keep it handy for future reference.

⚠ WARNING**Risk of physical injury**

This device is designed to comply with IEC 61010 Safety Standards, and has been thoroughly tested for safety before shipment. However, mishandling during use could result in injury or death, and damage to the device. Be certain that you understand the instructions and precautions in the manual before use.

Follow these precautions to ensure safe operation and to obtain the full benefits of the various functions.

⚠ DANGER**Risk of fatal injury**

- To avoid electric shock and short circuits, never attach the clamp to bare, unisolated conductors.
Make sure to measure at a location on an insulated wire where the insulation is sufficient for the circuit voltage.



- Be careful to avoid damaging the insulation surface while taking measurements.
- Refer to the derating characteristics when measuring current that includes a high-frequency component and never measure any current that exceeds the rated current. Use with high frequencies or strong magnetic fields may cause the device to become abnormally hot, resulting in fire, equipment damage, or burns.
- To prevent fire or damage of the measurement target and device as well as burns, exercise caution concerning the following when measuring high-frequency currents or currents that contain high-frequency components:
 - Eddy current loss may cause heating of the sensor head.
 - Dielectric heating may cause heating of cord insulation and other materials.
- Be sure to observe all operating precautions for the oscilloscope and other instruments to which this device is connected.

⚠ WARNING**Shock hazard**

Do not allow the device to get wet, and do not take measurements with wet hands. This may cause an electric shock.

To avoid electric shock when measuring live lines, wear appropriate protective gear, such as insulated rubber gloves, boots, and a safety helmet.

NOTICE**Risk of instrument damage**

- To avoid damage to the device, protect it from vibration or shock during transport and handling, and be especially careful to avoid dropping.
- This device should be installed and operated indoors only, between 0°C and 40°C (32°F to 104°F) and 80% RH or less.
- Do not store or use the device where it could be exposed to direct sunlight, high temperature, humidity, or condensation. Under such conditions, the device may be damaged and insulation may deteriorate so that it no longer meets its specifications.
- Before using the device the first time, verify that it operates normally to ensure that no damage occurred during storage or shipping. If you find any damage, contact your dealer or R&S representative.
- This device is not designed to be entirely water- or dust-proof. To avoid damage, do not use it in a wet or dusty environment.
- The sensor head is a precision assembly including a molded component, a ferrite core, and a Hall effect element. It may be damaged if subjected to sudden changes in ambient temperature, or mechanical strain or shock, and therefore great care should be exercised in handling it.
- Do not apply a static electricity or other source of high voltage to the sensor. Doing so may damage the internal Hall elements and circuitry of the sensor.
- The mating surfaces of the sensor head are precision, and should be treated with care. If these surfaces are scratched, performance may be impaired.
- Measurements are degraded by dirt on the mating surfaces of the sensor head, so keep the surfaces clean by gently wiping with a soft cloth.
- When the power is on, keep the core section of the sensor closed, except when clamping it onto the conductor to be measured. The mating surface of the core section can be scratched while it is open.
- Keep the clamp jaws and core slits free from foreign objects, which could interfere with clamping action.
- Keep the sensor head closed when not in use, to avoid accumulating dust or dirt on the mating core surfaces, which could interfere with clamp performance.
- To avoid damaging the sensor cable, do not bend or pull the cable.

- Avoid stepping on or pinching the cable, which could damage the cable insulation.
 - Keep the cable well away from heat sources, as bare conductors could be exposed if the insulation melts.
-

**Strong electromagnetic fields**

Correct measurement may be impossible in the presence of strong magnetic fields, such as near transformers and high-current conductors, or in the presence of strong electromagnetic fields such as near radio transmitters.

2 Product Description

2.1 Product Overview

The R&S RT-ZC15B is an AC/DC current probe. It allows the user to make current measurements from DC to 50 MHz. By clamping on the conductor to be measured, the current waveform is captured easily without interrupting the electric circuit.

Since the probe is equipped with the Rohde & Schwarz probe interface, it can be connected to any Rohde & Schwarz base unit that is compatible with this interface. When connected to the front panel of a Rohde & Schwarz oscilloscope, the probe is controlled using the software of the oscilloscope.

2.2 Key Features

- Highly accurate current detection.
- Easy current measurement without interrupting the electric circuit.
- Broadband frequency characteristics DC to 50 MHz.
- Permits measurement of low current levels.
- Easy protection function to avoid self-heating during excessive input.
- Unique thin film Hall effect element.
- Rohde & Schwarz probe interface:
 - Powered by the oscilloscope - no need for an additional power supply
 - Remotely controlled by the oscilloscope

2.3 Inspecting the Contents

- Inspect the package for damage.
Keep the package and the cushioning material until the contents have been checked for completeness and the device has been tested.

Inspecting the Contents

If the packaging material shows any signs of stress, notify the carrier and your Rohde & Schwarz service center. Keep the package and cushioning material for inspection.

- Inspect the probe.
If there is any damage or defect, or if the R&S RT-ZC15B current probe does not operate properly, notify your Rohde & Schwarz service center.
- Inspect the accessories.
If the contents are incomplete or damaged, notify your Rohde & Schwarz service center.

The following accessories are delivered with the probe:

- User manual
- Carrying case
- R&S RT-Zxx data sheet
- Calibration certificate
- Documentation of calibrated values

2.4 Description of the Probe

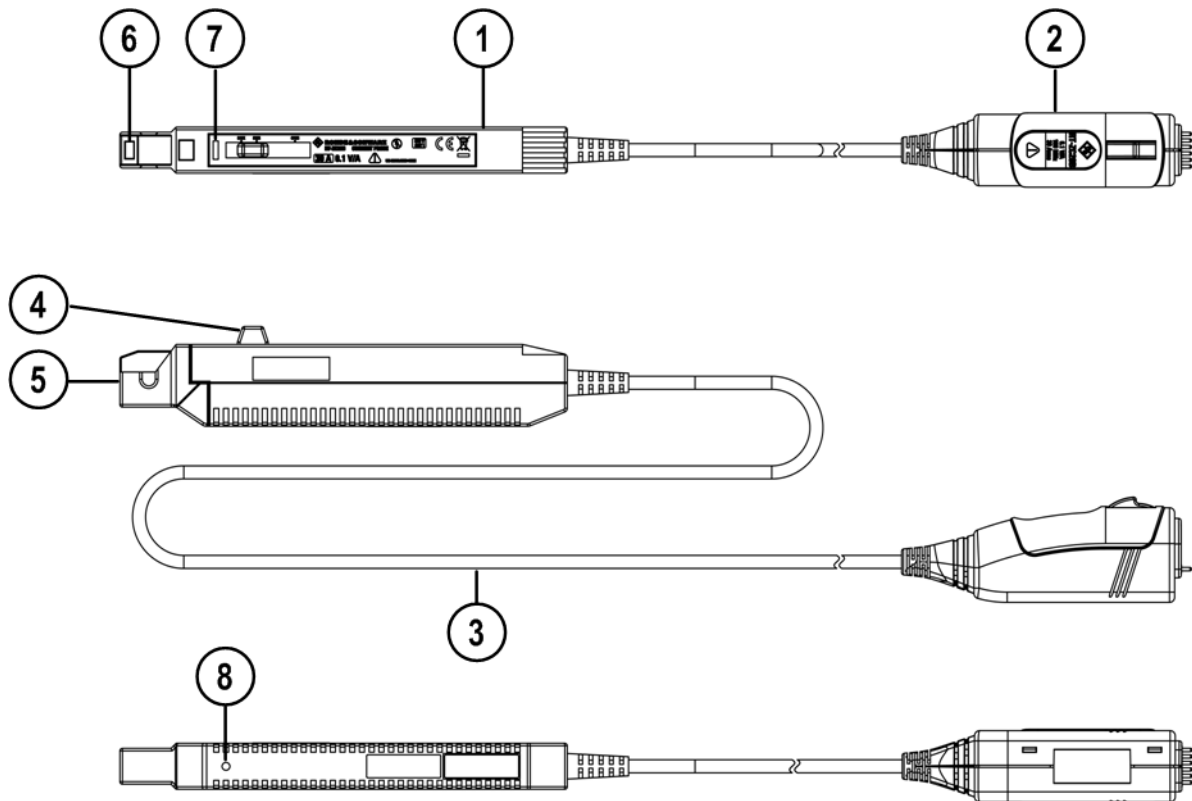


Figure 2-1: Overview of the R&S RT-ZC15B current probe

- 1 = Sensor
- 2 = Probe box
- 3 = Sensor cable
- 4 = Opening lever
- 5 = Sensor head
- 6 = Current direction indication
- 7 = UNLOCK indication
- 8 = Coarse adjustment trimmer

2.4.1 Probe Head

The probe head consists of the following parts:

Opening lever

Operating lever for opening the sensor head. Always use this lever to open the sensor head.

Sensor head

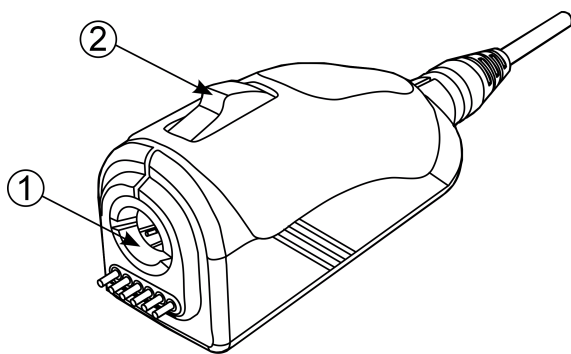
The sensor head clamps on the conductor being measured, and carries out the actual current measurement. It is a precision assembly including a molded component, a ferrite core, and a Hall effect element. It may be damaged if subjected to sudden changes in ambient temperature, or mechanical strain or shock, and therefore great care should be exercised in handling it.

Coarse adjustment trimmer

Use this only when adjustment is not possible within the range of the zero adjustment. Use a nonconductive screwdriver (e.g. ceramic driver) for adjustment.

2.4.2 Probe Box

The probe box connects the probe and the oscilloscope via the Rohde & Schwarz probe interface. The Rohde & Schwarz probe interface contains a male precision 7 mm (276 mil) BNC connector and six pogo pin connectors. This interface provides the required supply voltage and is also used to transmit analog signals and digital data simultaneously. All the analog voltages required by the probe are generated in the probe box. This approach ensures that it will be possible to operate future probes on any base unit that features a Rohde & Schwarz probe interface.




- (1) Rohde & Schwarz probe interface with 7 mm (276 mil) coaxial connector and 6 pogo pins
- (2) Release knob

Connect the R&S RT-ZC15B only to an instrument with Rohde & Schwarz probe interface. Never connect it to a usual BNC jack. Although the 7 mm coaxial connector looks like a standard BNC connector, it is constructed differently and does not fit to the standard BNC jack. The interface of the R&S RT-ZC15B can withstand a higher frequency limit.

3 Putting into Operation

3.1 Connecting the Probe to the Oscilloscope

 The output of the probe is terminated internally. Use an Rohde & Schwarz oscilloscope with high impedance inputs. Accurate measurement is not possible, with an impedance of 50 Ω .

NOTICE**Risk of circuit damage**

Check that the conductor being measured is not clamped when connecting the R&S RT-ZC15B to the R&S RTx oscilloscope. When the current probe is connected, a demagnetizing waveform is initially applied to the core. Rohde & Schwarz oscilloscopes instruments demagnetize the probe automatically when it is connected.

-
- ▶ Connect the probe box (1) to the Rohde & Schwarz probe interface of the oscilloscope (2).

The probe snaps in when connected properly to the port.

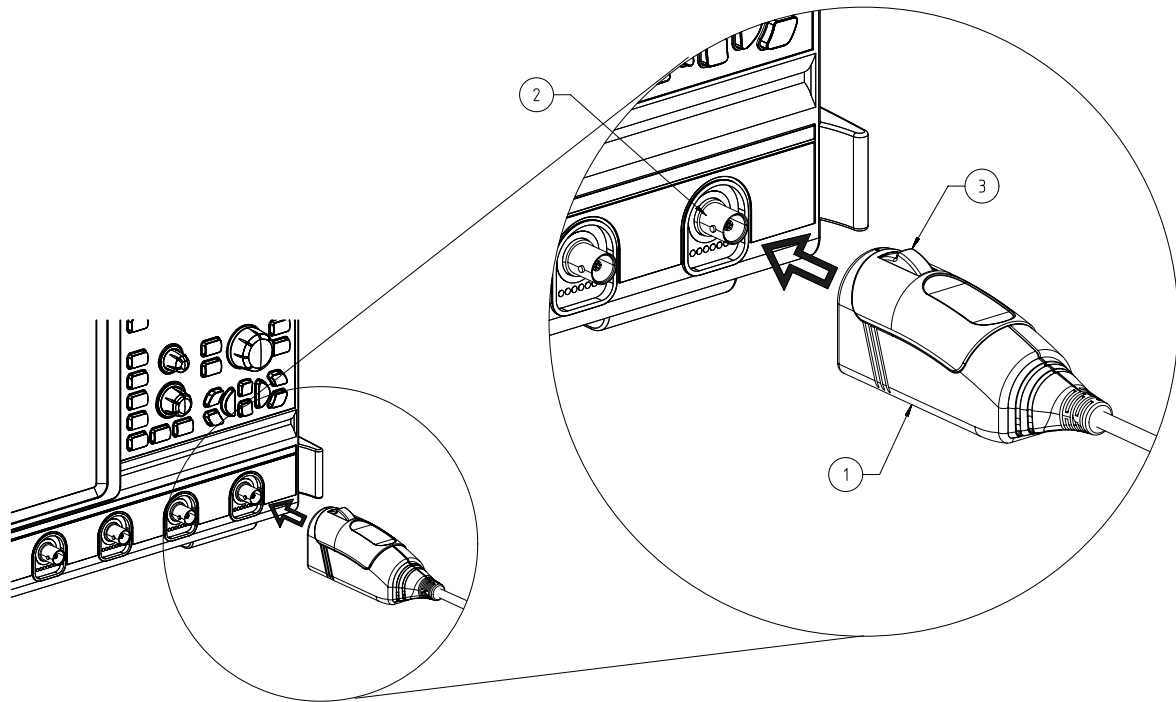


Figure 3-1: Connecting the probe to the Rohde & Schwarz oscilloscope

- ▶ To disconnect the probe:
 - a) Press and hold the release button (3).
 - b) Pull the probe box away from the oscilloscope.

3.2 Identification of the Probe

When the probe is connected to the oscilloscope, the oscilloscope recognizes the probe and reads out the probe-specific parameters.

The oscilloscope settings for attenuation and offset are automatically adjusted; and the oscilloscope switches to high impedance coupling (1 M Ω) to ensure accurate measurements.

The complete probe information is shown in the probe settings dialog. For more information, refer to the user manual of your oscilloscope.

3.3 Setting Up and Demagnetizing

Before starting measurements, demagnetizing the core and a zero adjustment of the probe are required.

NOTICE

Risk of circuit damage

Do not demagnetize while the R&S RT-ZC15B is clamping a conductor to be measured. Demagnetizing causes current to flow into the conductor, which may damage parts in the circuit to be measured.



All settings of the base unit described in this section refer to the R&S RTO/RTE/RTP oscilloscopes.

On the R&S RTM, the probe settings can be found in the "Channel" menu: CH N > "More > Probe".

To demagnetize and zero-adjust the probe:

1. Connect the R&S RT-ZC15B current probe as described in [chapter 3.1 on page 13](#).
2. Make sure that there is no conductor in the sensor aperture.
3. Press the opening lever until the UNLOCK indication disappears. Close the sensor head properly.
4. On the "Vertical" menu of the R&S RTO/RTE/RTP, select "Probe Setup".
5. Select the channel the probe is connected to.
6. Tap "DeGauss".
This demagnetizes the core if it has been magnetized by switching the power on and off, or by an excessive input. Always carry out demagnetizing before measurement.
The demagnetizing process takes about one second. During demagnetizing, a demagnetizing waveform is present at the output.
7. Change the "Zero adjust" value to adjust the waveform to zero position.
After demagnetizing always carry out a zero adjustment.
Tip: On R&S RTO/RTE/RTP instruments, you can tap "Detect AutoZero" to demagnetize and adjust to zero position in one step.

Connecting the Probe to the DUT

Tip: Tap "Save to probe" to store the "Zero adjust" value in the probe box. If you connect the probe to another channel or to another R&S RTx oscilloscope, the value is read out again.

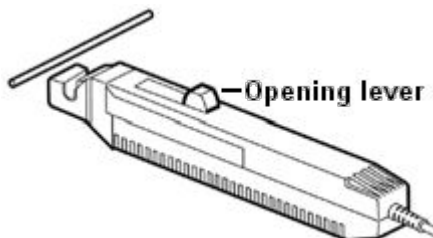
8. If zero adjustment is not possible, turn the coarse adjustment trimmer to bring the waveform within the range of zero adjustment (see [figure 2-1 on page 11](#)).

NOTICE**Risk of instrument damage**

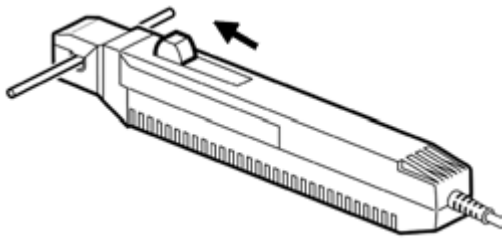
When opening the sensor head of the probe, be sure to operate with the opening lever. If an upper core is forced to open when the sensor head is locked, the open-close mechanism can be damaged.

3.4 Connecting the Probe to the DUT

1. Check that the system is safe, and that the preparations described in the preceding sections have been carried out.
2. Pull the sensor slider, so that the clamp opens.



3. Align the sensor so that the current direction indication matches the direction of current flow through the conductor that you measure. The conductor should be in the center of the clamp aperture because the measurement may be affected by the position within the clamp aperture of the conductor being measured.
4. Press the opening lever until the UNLOCK indication disappears. Make sure that the sensor head is properly closed.



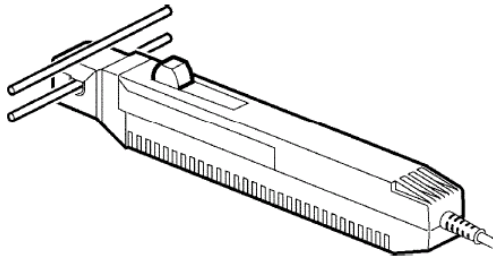
If the sensor head is not properly closed, accurate measurement is not possible.

NOTICE**Risk of instrument damage due to continuous input current**

- The maximum continuous input range is based on heat that is internally generated during measurement. Always keep the input current below this level. Exceeding the rated level may result in damage to the probe.
 - The maximum continuous input range varies according to the frequency of the current being measured. Refer to the data sheet "R&S RT-Zxx high voltage and current probes".
 - The device may sustain damage from self-heating even at current levels that are lower than the maximum rated current. The maximum rated current is a recommended value that assumes sine-wave input under standard conditions. Self-heating may happen if the ambient temperature increases or the measurement current waveform contains other frequency components.
 - If the input current exceeds a certain level, generated heat activates a built-in safety function that blocks normal output. If this happens, remove the input immediately (remove the sensor from the conductor being measured, or reduce the input current to zero). Wait until the sensor has had sufficient time to cool before resuming operation.
 - Even if the input current does not exceed the rated continuous maximum current, continuous input for an extended period of time may result in activation of the safety circuit to prevent damage resulting from heating of the sensor.
-

NOTICE**Risk of instrument damage due to continuous input current**

- At high ambient temperatures, the built-in safety circuit may activate at current input levels below the rated continuous maximum current.
- Continuous input of current exceeding the rated maximum or repeated activation of the safety function may result in damage to the device.
- Current measurement exceeding approx. 1 kHz may result in temperature rise on the sensor-head. This is attributed to excitation loss that cannot be prevented due to natural physical principles. Be careful to avoid injury, electric shock due to short-circuits, or damage to the device that may be caused by the increased temperature.
- Do not place any unclamped conductor with an electric current of a frequency of 10 kHz or more near the sensor head. Current flowing in the conductor nearby may heat up the sensor head and cause its temperature to rise, leading to damage to the sensor. For example, when one side of a go-and-return conductor is clamped and the other side is also placed near the sensor head as shown in the diagram, even if the electric current is lower than the consecutive maximum current, electric currents in both sides will heat up the sensor and raise the temperature, thereby causing damage to the sensor.



Connecting the Probe to the DUT



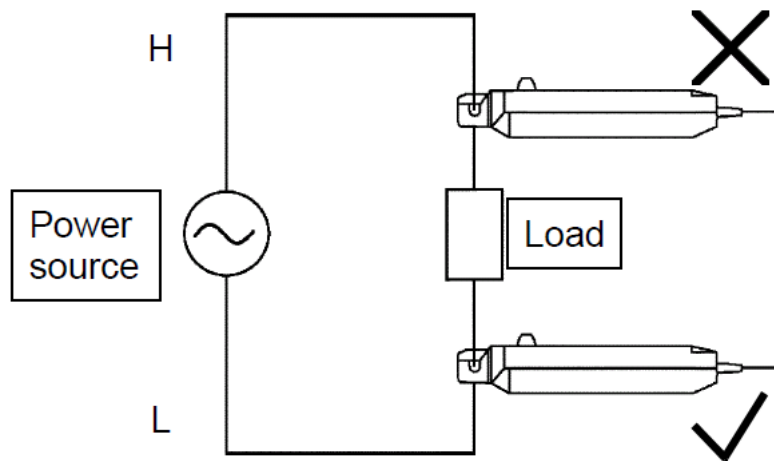
- Immediately after powering on, this device may be subject to an appreciable offset drift due to the effect of self-heating. To counteract this, allow the device to warm up for about 30 minutes before carrying out measurements.
- When performing continuous measurements, it is necessary to be aware that the offset voltage drifts, depending on factors such as the ambient temperature.
- Under certain circumstances, oscillation may occur while the power supply is on. This does not indicate a malfunction. Oscillation can be stopped and operation restored to normal by opening and closing the sensor head.
- Depending on the amplitude and frequency of the current being measured, the sensor head may emit a resonant sound. This sound may also occur during demagnetizing operation, but it does not represent a malfunction or device failure.

If foreign matter is adhered to the facing surfaces on the sensor head so that a slight gap exists between the upper and lower sensors, the sensor head may also emit a resonant sound. Remove any foreign matter using the cleaning method described in this manual.

An increase in the volume of the resonant sound during use may indicate that the gap between the upper and lower sensors has increased. Since the sensor characteristics may change, it is recommended to calibrate the device.

Connecting the Probe to the DUT

- i** At high frequencies, common mode noise may affect measurements taken on the high voltage side of circuits. If this occurs, reduce the frequency range of the waveform measuring instrument, or clamp onto the low-voltage side of the circuit, as appropriate.



4 Maintenance and Service

If service or calibration is needed, contact your Rohde & Schwarz service center. Return a defective product to the Rohde & Schwarz service center for diagnosis and exchange.

4.1 Cleaning

1. Discharge any static electricity at your hands before cleaning the facing surfaces of the sensor head.

Thus, you ensure that no high voltage caused by static electricity is applied to the product. Application of a high voltage can damage the internal Hall elements or circuitry. You can attract static electricity to your hands by touching a nearby metal object.

2. Clean the outside of the product using a soft cloth moistened with either distilled water or isopropyl alcohol. Keep in mind that the casing is not waterproof.
Note: Do not use cleaning agents. Solvents (thinners, acetone), acids and bases can damage the labeling or plastic parts.
3. Dry the product completely before using it.

4.2 Contacting Customer Support

Technical support – where and when you need it

For quick, expert help with any Rohde & Schwarz product, contact our customer support center. A team of highly qualified engineers provides support and works with you to find a solution to your query on any aspect of the operation, programming or applications of Rohde & Schwarz products.

Contact information

Contact our customer support center at www.rohde-schwarz.com/support, or follow this QR code:



Figure 4-1: QR code to the Rohde & Schwarz support page

4.3 Returning for Servicing

Use the original packaging to return your R&S RT-ZC15B to your Rohde & Schwarz service center. A list of all service centers is available on:

www.services.rohde-schwarz.com

If you cannot use the original packaging, consider the following:

1. Use a sufficiently sized box.
2. Protect the product from damage and moisture (e.g. with bubble wrap).
3. Use some kind of protective material (e.g. crumpled newspaper) to stabilize the product inside the box.
4. Seal the box with tape.
5. Address the package to your nearest Rohde & Schwarz service center.

4.4 Calibration Interval

The recommended calibration interval for R&S RT-ZC15B current probe is one year. For servicing, send the probe to your nearest Rohde & Schwarz service center (see [Chapter 4.3, "Returning for Servicing"](#), on page 22).

4.5 Discarding the Product

Handle and dispose the product in accordance with local regulations.