

General safety summary

Review the following safety precautions to avoid injury and prevent damage to this product or any products connected to it.

To avoid potential hazards, use this product only as specified.

Only qualified personnel should perform service procedures.

To avoid damage to equipment and personal injury

Do not exceed rackmount weight ratings. Use this rackmount kit only for RSA306B and RSA306 instruments and instrument controllers.

If you install an instrument controller in the area behind the mounted instrument(s), weight and environmental restrictions apply.

In a static environment (such as an office or manufacturing facility), the total additional weight should not exceed 5 lbs (2.27 kg).

In a dynamic environment (such as a truck or airplane), no additional weight should be added (no instrument controller(s) should be added).

Use proper hardware. Do not interchange hardware. Use only specified mounting screws.

Use care when installing and removing product from rack. Avoid pinching fingers and hands when installing and removing. Do not force the product when installing. Gently pull the product out when removing.

Use only with specified products. Do not use rackmount on products for which it was not intended. Refer to individual product manuals for details or contact Tektronix Customer Service when in doubt.

Contacting Tektronix

Tektronix, Inc.
14150 SW Karl Braun Drive
P.O. Box 500
Beaverton, OR 97077
USA

For product information, sales, service, and technical support:

In North America, call 1-800-833-9200.

Worldwide, visit www.tek.com to find contacts in your area.



Kit description

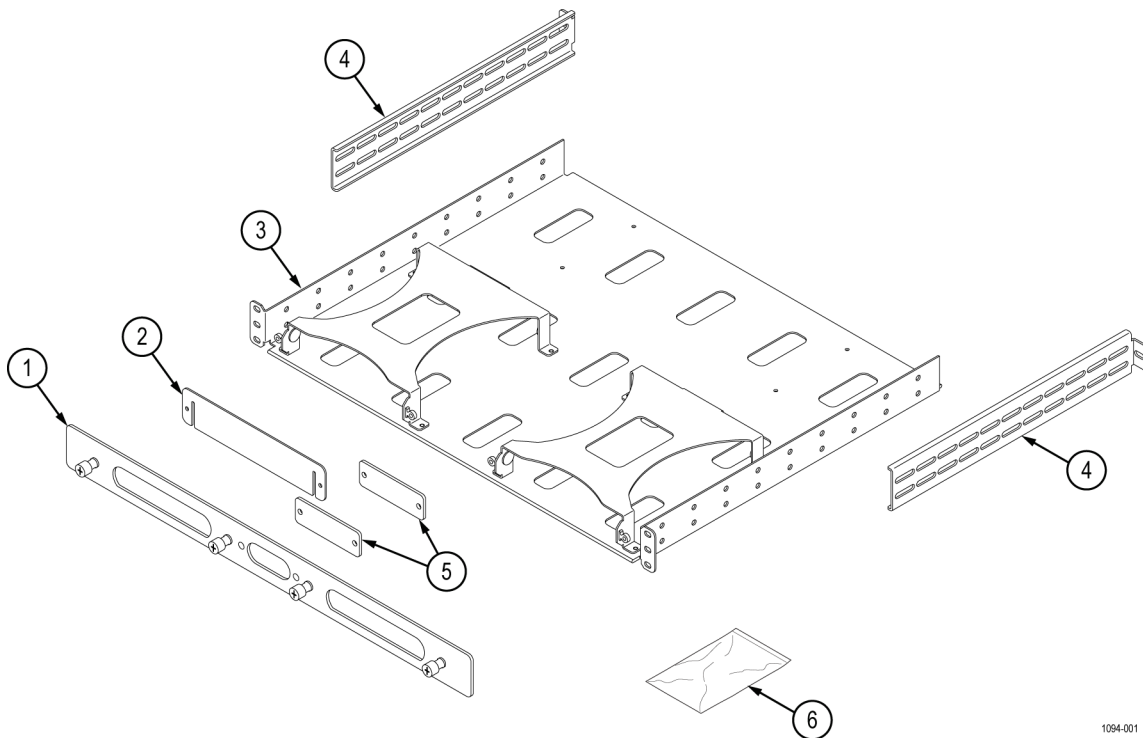
The rackmount kit is a collection of parts that, once installed, holds one or two RSA306 or RSA306B Real-Time Spectrum Analyzers, for mounting into a standard 19-inch equipment rack. You will need a Phillips #2 screwdriver and a 3/8 inch nut driver (wrench or socket) to complete the installation.

Kit parts list

The following table lists the parts contained in this kit. Use the associated figure to identify the parts and to assemble the kit. (See Figure 1.)

Table 1: RSA306BRACK rackmount kit parts list

Item no.	Name and description	Qty.
1	BRACKET, FRONT	1
2	BRACKET, CLOSURE, FRONT	1
3	BRACKET, MAIN	1
4	BRACKET, STATIONARY RACK, REAR	2
5	BRACKET, CLOSURE, FRONT MIDDLE	2
6	Bag containing screws and nuts	1



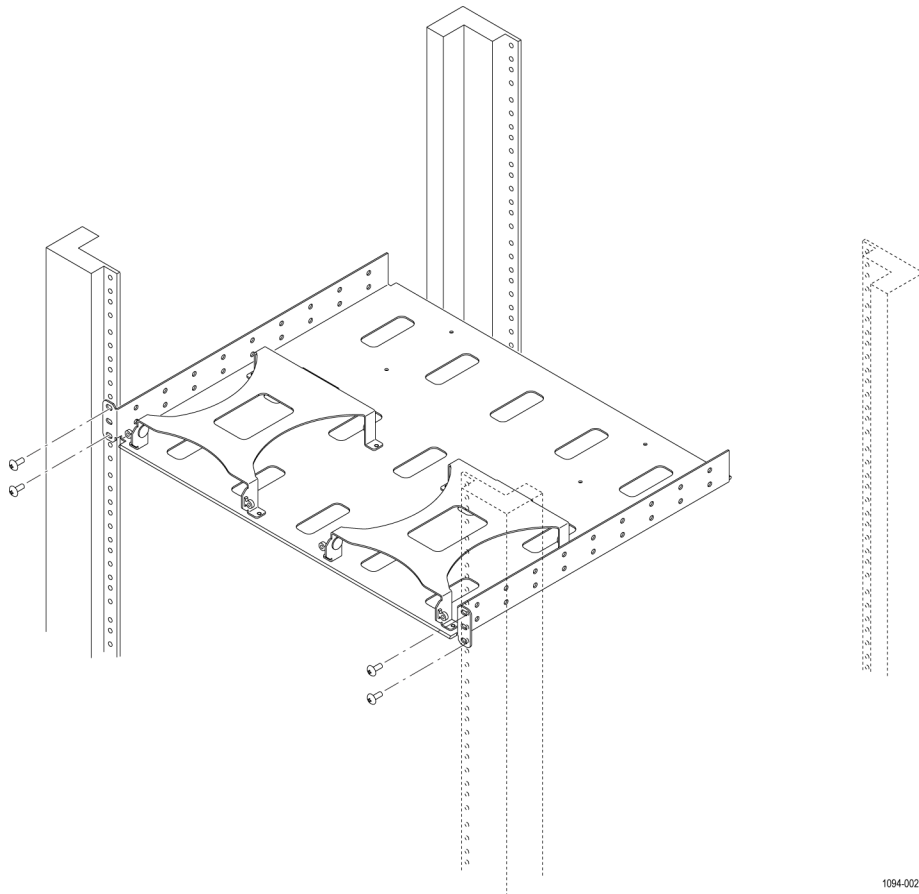
1094-001

Figure 1: Rackmount kit assembly

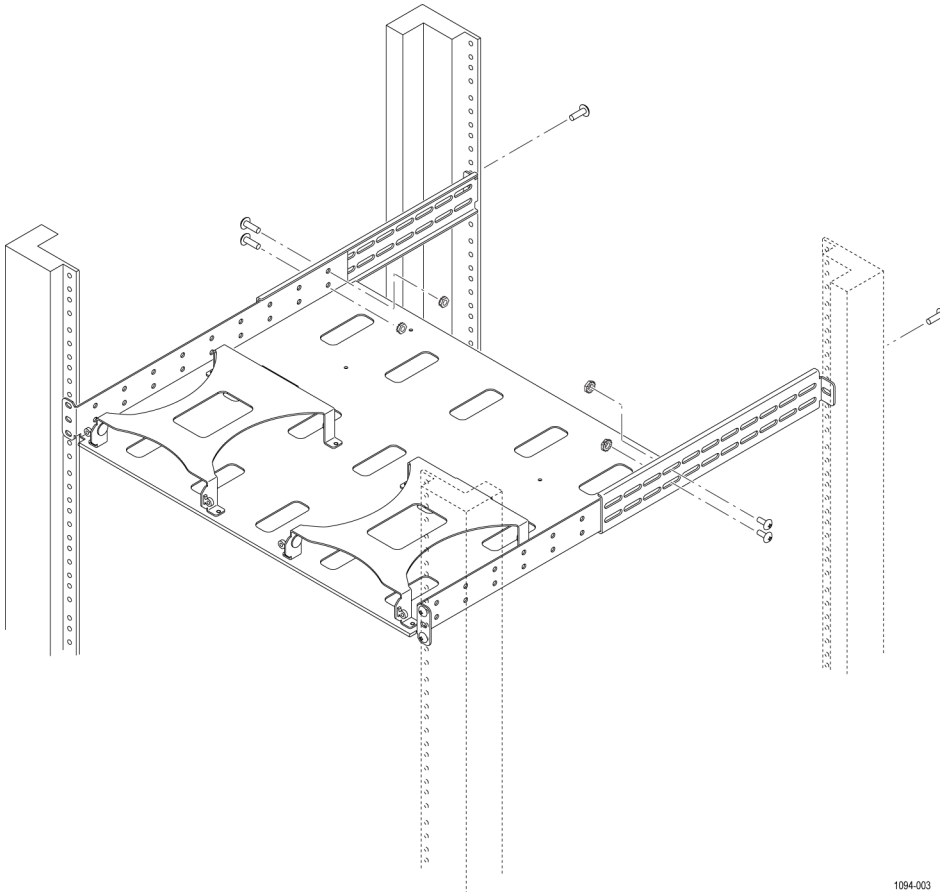
Installation

The rack frame comes completely assembled with the face plate and closure plate in place. Use the following procedure and refer to the illustration to assemble the rackmount hardware and install the instrument into the rack. (See Figure 1.)

1. Remove the front bracket (item 1) and front closure bracket (item 2) by unscrewing the four thumb screws.
2. Attach the RSA306B preassembled main bracket (item 3) into your rack chassis using four 10-32 screws.



3. Attach the stationary brackets (item 4) to the rear rack using two 10-32 screws, one on each side.
4. Connect the stationary brackets (item 4) to the RSA306B main bracket (item 3) using four 10-32 screws and nuts, two sets per bracket.



1084-003

5. Insert the RSA306 or RSA306B instrument(s) into the rackmount.

6. Reinstall the front bracket (item 1) and front closure bracket (item 2).
 - a. If installing one instrument: Reinstall the front bracket (item 1) by starting the threads of the two thumb screws on either side of the instrument. Reinstall the front closure bracket (item 2) by slipping it behind the front bracket (item 1) and starting the threads of the thumb screws that go through the holes provided in the closure bracket (item 2). Tighten all four thumb screws.
 - b. If installing two instruments: Reinstall the front bracket (item 1) by starting the threads of all four thumb screws, and then tightening all four thumb screws.
7. You can now run cables through the center pass-through opening. If you are not running cables through the pass-through opening, install the front middle closure bracket (item 5) using two 10-32 nuts.

