

TECHNI-PRO

Product Data Sheet

High Precision Cutters

758PL5352

Product Type: High Precision Cutters

Made in: Italy

Description: The 5352 is a high precision cutter belonging to the large tapered cutter family. This type of geometry and head dimensions offer an advantage to support the cut. The full-flush cutting edge is suitable to perform very clean cuts on small size material. The 5352 is equipped with an ESD Ergo-tek handle which allows an excellent grip, suitable to environments and to components susceptible to electrostatic discharges. The blades are hardened to 67HRC hardness.

Head Description: Large Tapered

Cutting Edges: Full-Flush

Cutting Capacity: Soft wire 0.2 mm-1.2 mm (32AWG-17AWG)

Body material: High carbon-chromium low alloy steel (100Cr6)

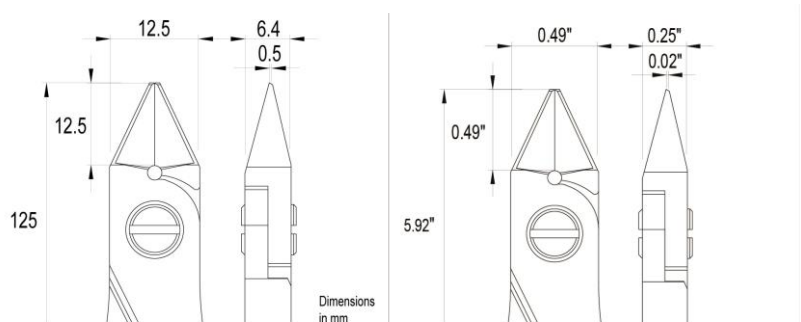
Handle material: ESD safe - Thermoplastic Elastomer TPE + Polypropylen compound PP

Picture:



Dimensions:

OAL	125.0 mm – 4,92 inch
Width	60.0 mm – 2,36 inch
Height	22.0 mm – 0,87 inch



TECHNI-PRO

Production supplies that **WORK** as hard as you do

Techni-PRO is a TestEquity private label brand featured on:

www.testequity.com/brand/techni-pro

www.techni-tool.com/brand/techni-pro

www.jensentools.com/brand/techni-pro