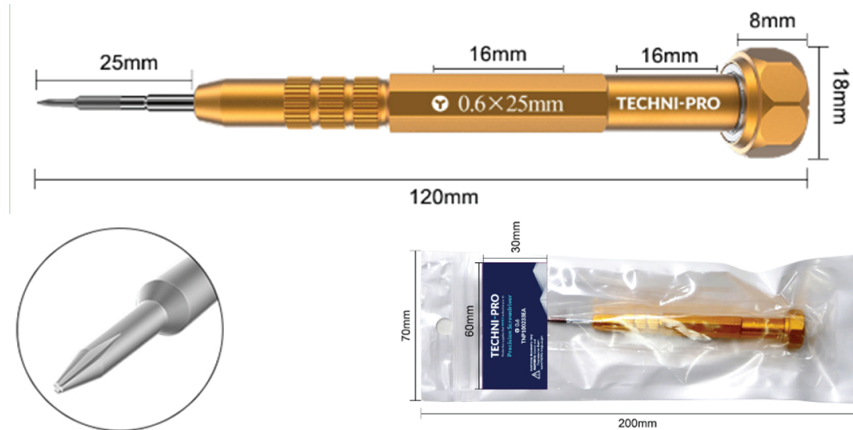


Product Data Sheet

Magnetic Precision Screwdriver, Y0.6

TNP100233EA



Product Information

The TNP100233EA Magnetic Precision Screwdriver Y0.6 is designed for Y0.6 screw repair.

Key Features

- Not easy to strip and deform.
- Non-slip ergonomic handle provides comfortable grip and smooth spinning.
- Suitable for work on iPhone, laptops, watches, Xbox, PS4, iPad, MacBook, Samsung, computers, electronics, jewelry, glasses, and other precision products.
- This mobile repair tool is small size and lightweight, easy to carry out, and you can keep it in your home, car, toolbox/bag and drawer. Great for home, travel, office, school.

»» Techni-PRO

Wider selection | Higher quality | Stronger value

We've engineered a new private-label brand for world-class production supplies. You probably already know Techni-PRO products as Techni-Tool, Tec-Cut, Techni-Stat, Tec-Tuff, and other brands. Our goal was the same as it has always been: To give you more. More equipment. More supplies. More value.

Technical Details & Cleaning Data

Material	Aluminum alloy handle, S2 steel screwdriver bit
Shape	Y blade
Weight	About 30g
Tip Angle	Y0.6
Blade Length	0.984" (25mm)
OAL	4.724"(120mm)
Color	Gold
Country of Origin	China

Packaging

Part No.	TNP100233EA
----------	-------------

Rev. MAY23