

Headphones in eardefenders



EAR12/13/15 are specially selected headphones providing excellent sound reproduction even in noisy environments.

- Individually sprung headband wires of stainless sprung steel provide an even distribution of pressure around the ears. Steel headband wires retain their resilience better than plastic through a wide temperature range.
- Low, two-point fasteners and easy height adjustment with no protruding parts.
- Soft, wide foam and fluid-filled sealing rings with built-in pressure-evening channels provide low pressure, effective sealing and ideal comfort.
- Connection cord, 0.5 to 1.6 m, with a 3.5 mm stereoplug.

The headphones are tested and approved in accordance with PPE directive (EU)2016/425, RoHS directive 2011/65/EU, LVD directive 2014/35/EU, and EMC directive 2014/30/EU to meet the demands for CE labelling.

Headphones with headband, EAR12

EAR12 is a headphone set with two earphones. It has a collapsible headband for convenient storage when you are not using the headphones with eardefenders.

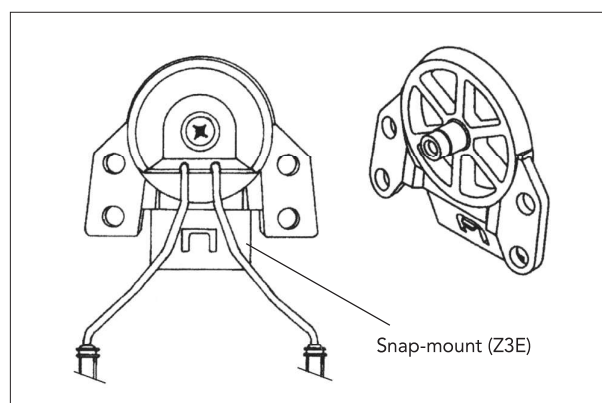
Headphones with neckband, EAR15

EAR15 is a headphone set with two earphones. It is equipped with neckband for use with or without helmet.

Headphones for helmet, EAR13

The headphones EAR13 is a headphone set with one connected earphone. The headphones fit most safety helmets available in the market today. The headphones have standard snap-mounts (Z3E) and are adapted to a specific helmet by a simple manipulation.

To mount the headphone, snap the helmet attachment into the slot on the helmet. Note, The cups can be set in three



positions: working position, ventilation position and parking position. When in use, the cups must be placed in working position. Press the wires inward until you hear a click on both sides. Make sure that the cup and the headband wire in working position are not pressing on the helmet lining or the edge of your hardhat so that leakage can occur. Parking position should not be used if the cups are damp inside after an intense period of use.

Part numbers

EAR12	Headphones with headband
EAR13	Headphones with helmet brackets
EAR15	Headphone with neckband
EAS10	Hygiene set (consists of two sets of attenuating cushions and snap-in sealing rings)

Spare parts

90683	Connection cord with 3.5 mm stereoplug
-------	--

