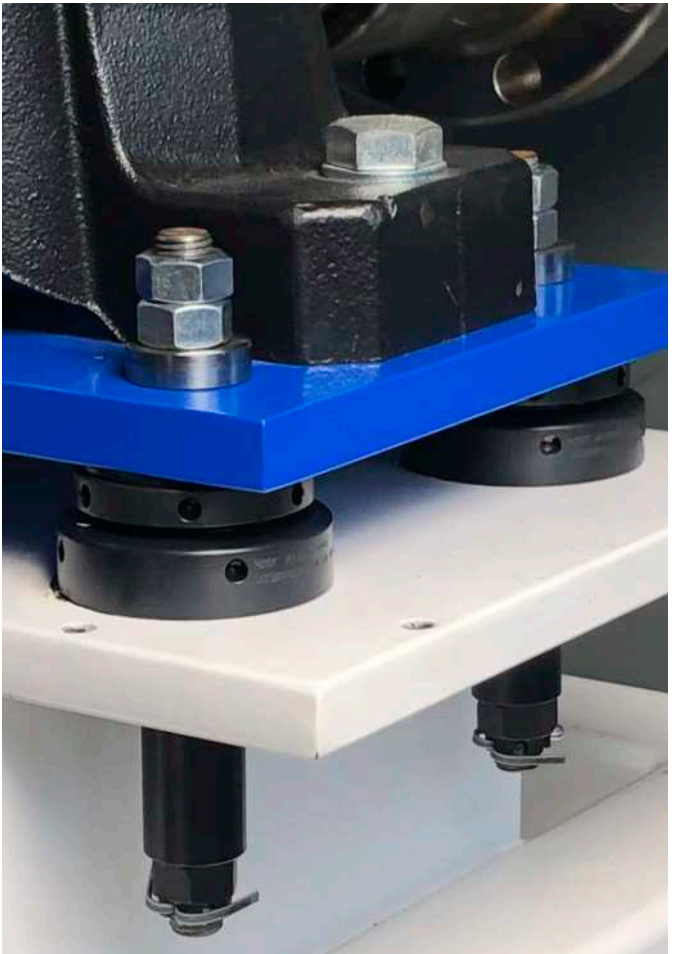
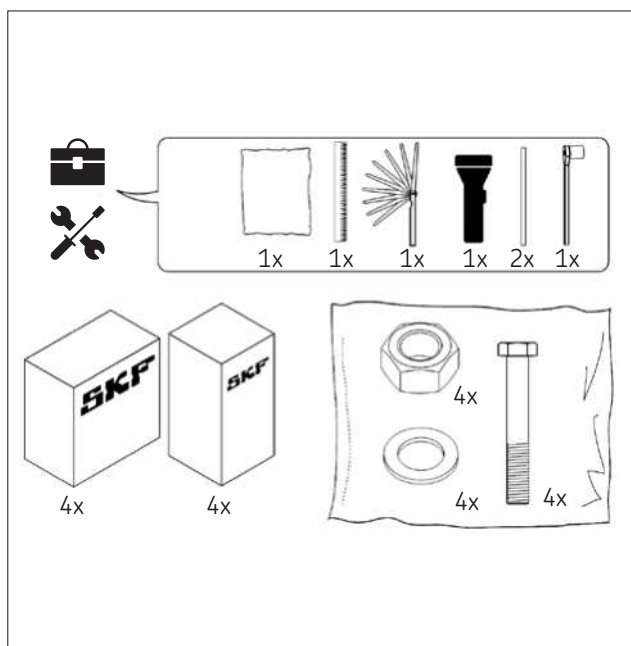


SKF Vibracon

re-adjustable chock

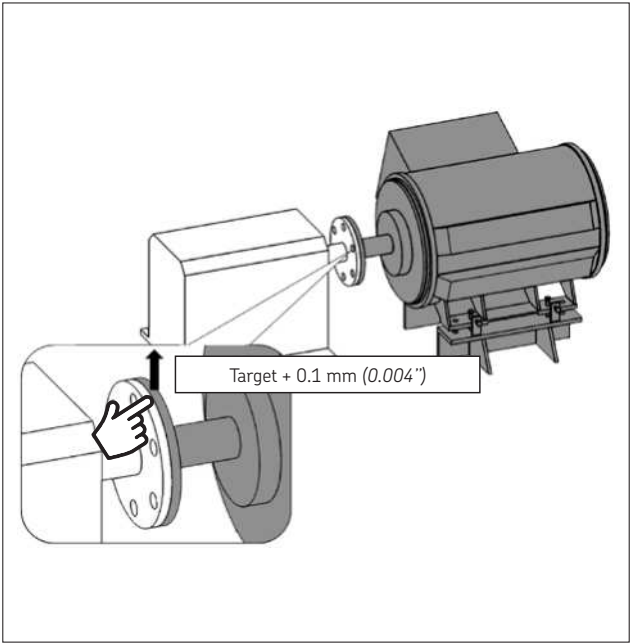


1.



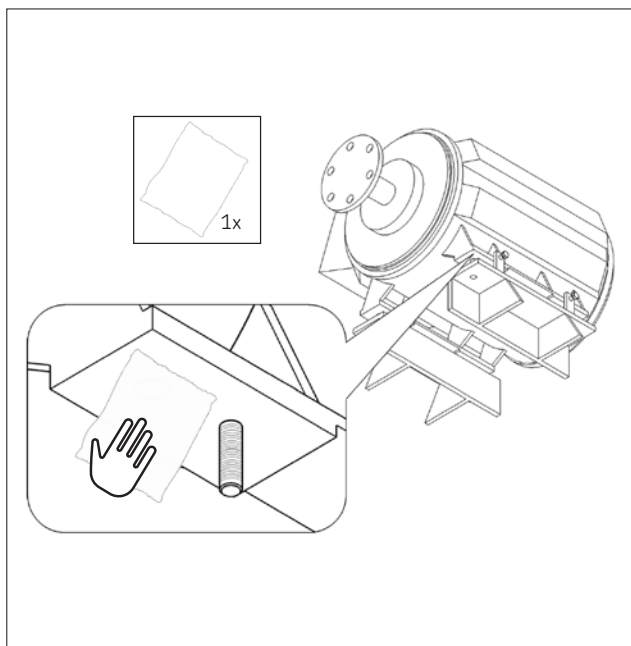
Required tools and materials. Materials in the plastic bag are non-standard SKF products but can be ordered in a mounting kit. Keep boxes and bags closed till further instructions.

2.



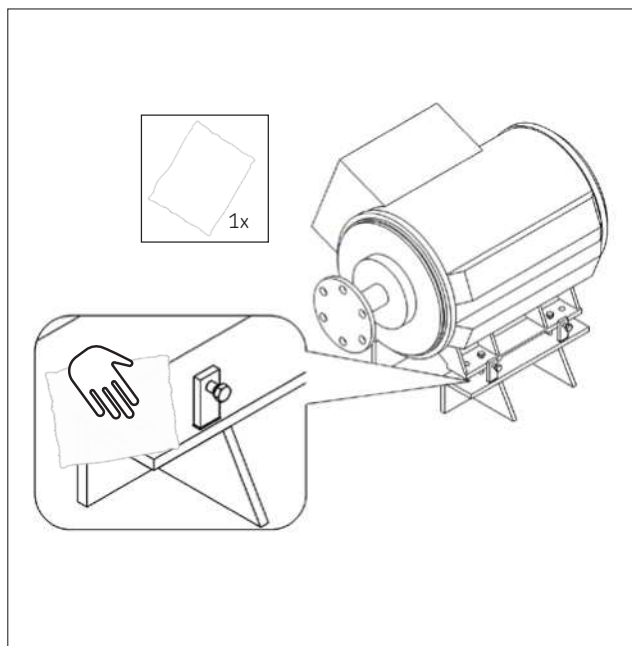
For compensation of compression of the total chocking package during tightening of the foundation bolt it is advised to position the component 0.1 mm (0.004 inch) above target.

3.



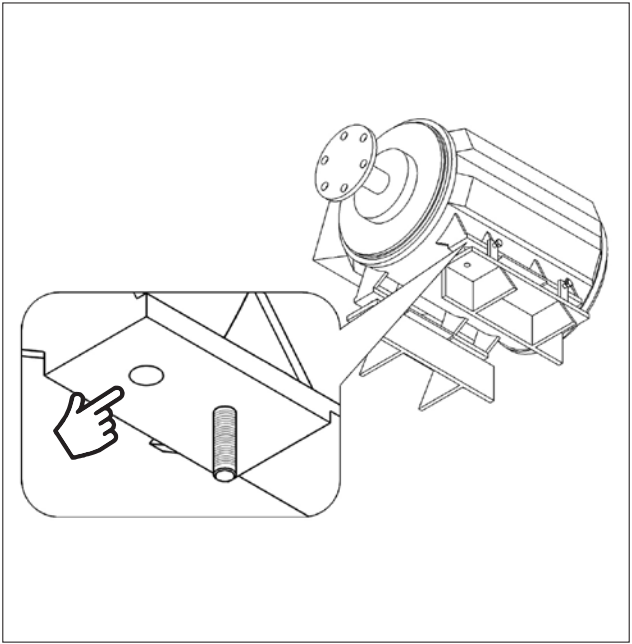
Clean the lower side of the base plate (foot) of the component with a cloth.

4.



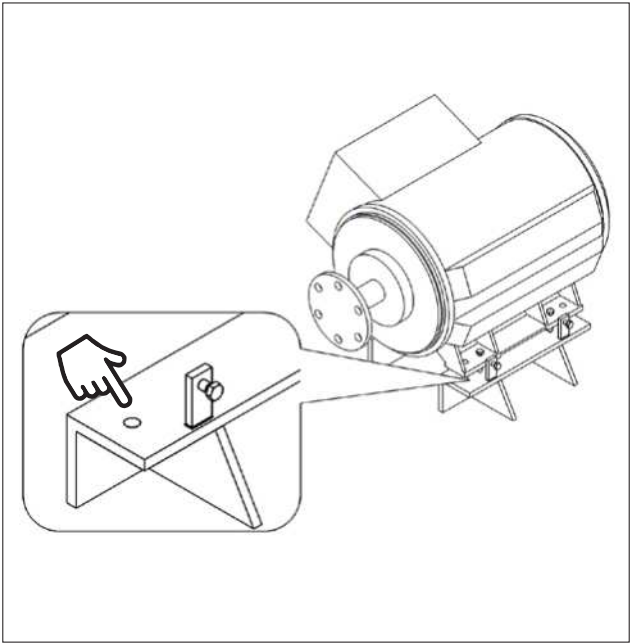
Clean the top side of the top plate of the support construction with a cloth.

5.



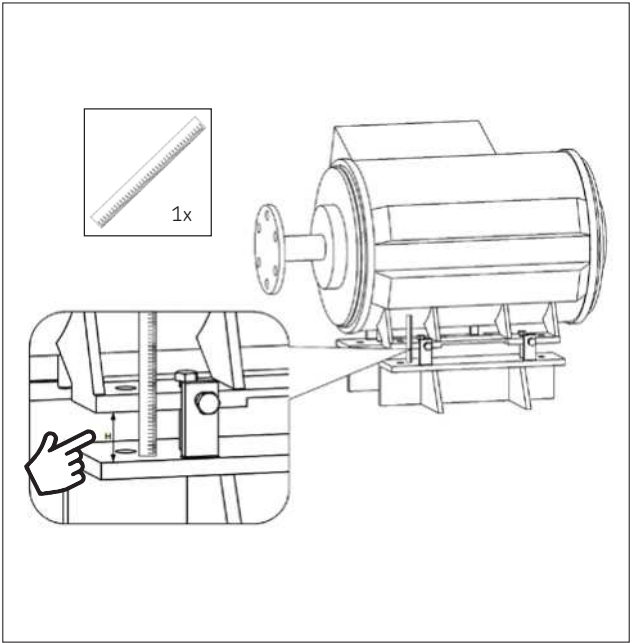
Visual inspection of the lower side of the base plate.
Surface should be free from damages, dirt and rust.
Paint is not preferred and can have an influence on the clamping
force of the foundation bolt!

6.



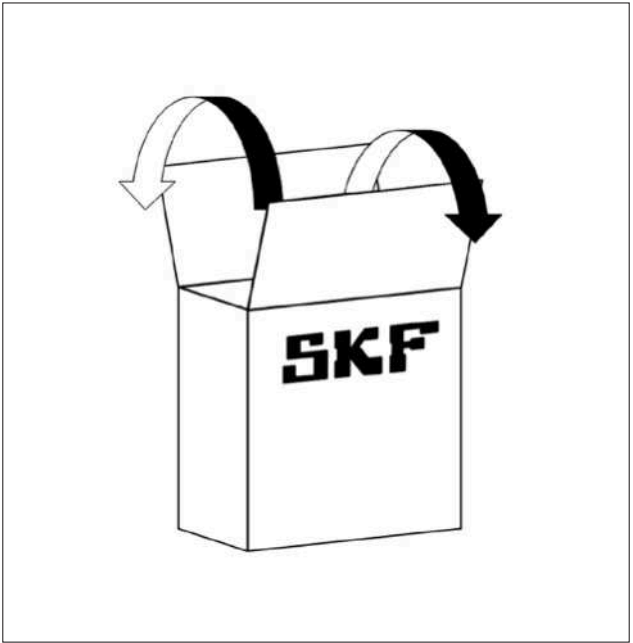
Visual inspection of the top plate.
Surface should be free from damages, dirt and rust.
Paint is not preferred and can have an influence on the clamping
force of the foundation bolt!

7.

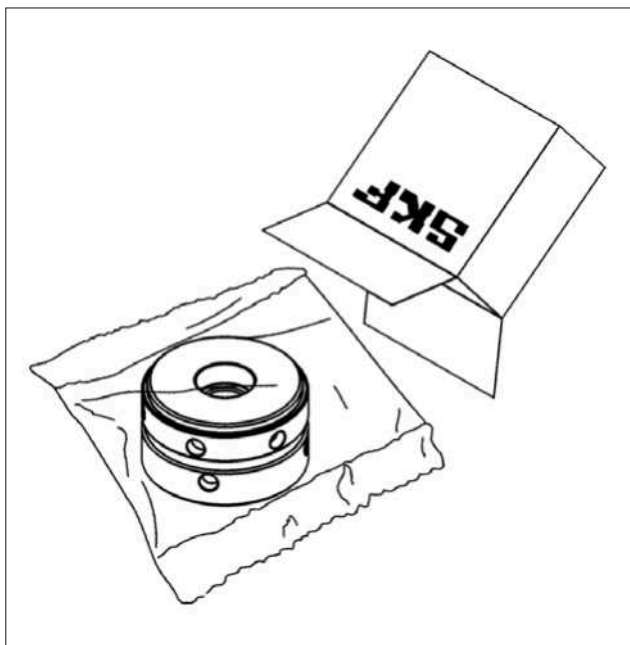


Measure the actual available chocking height at each mounting position.

8.

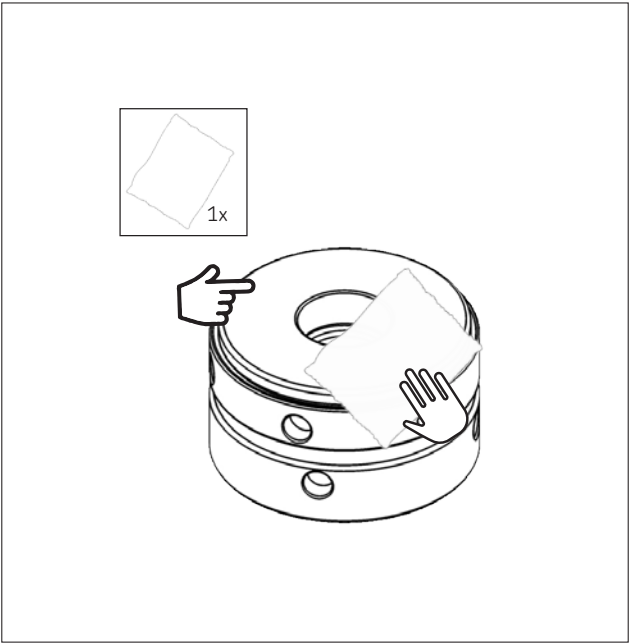


9.



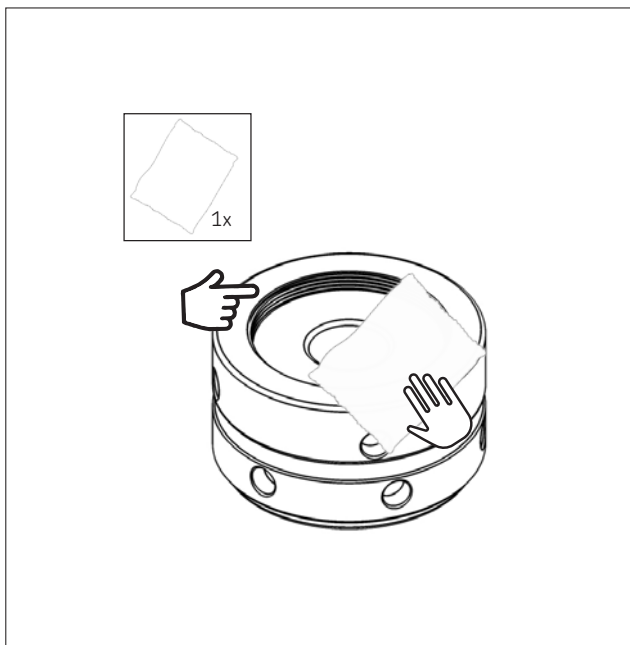
The SKF Vibracon chock is packaged in a corrosion protective plastic bag.

10.



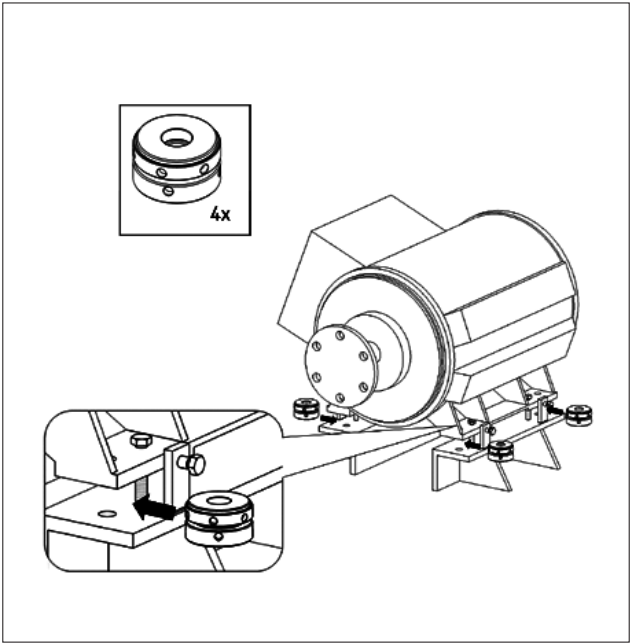
Advice is to clean the top of the SKF Vibracon chock with a clean cloth.

11.



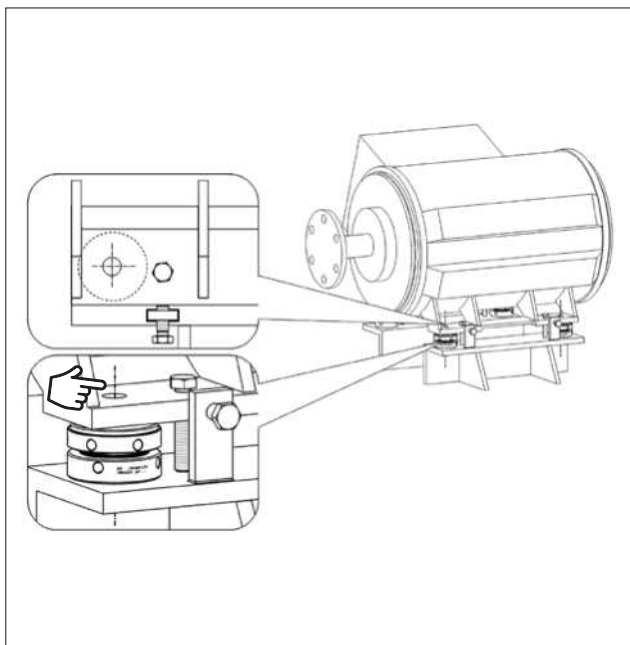
Advice is to clean the bottom of the SKF Vibracon chock with a clean cloth.

12.



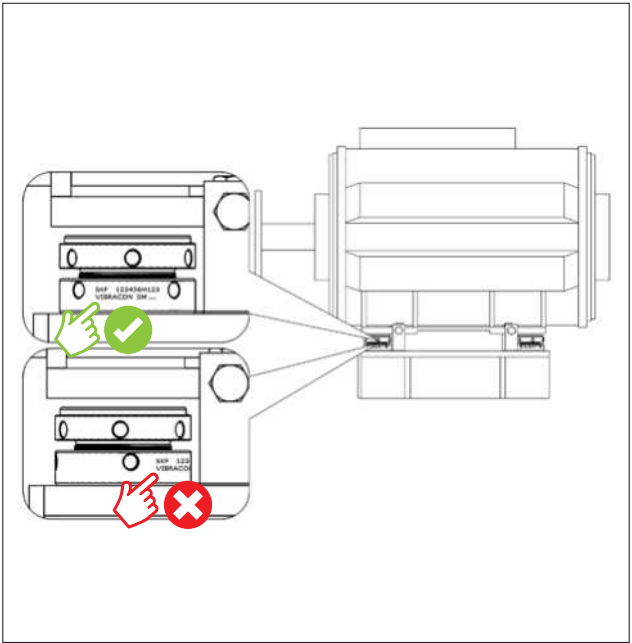
Insert the SKF Vibracon chock from the side at the foundation bolt hole positions.

13.



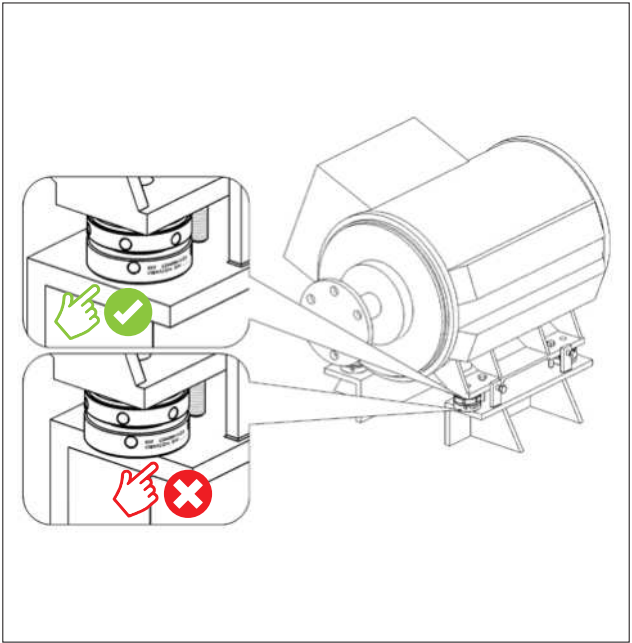
Center the position of the SKF Vibracon chock concentric with the bolt hole.

14.



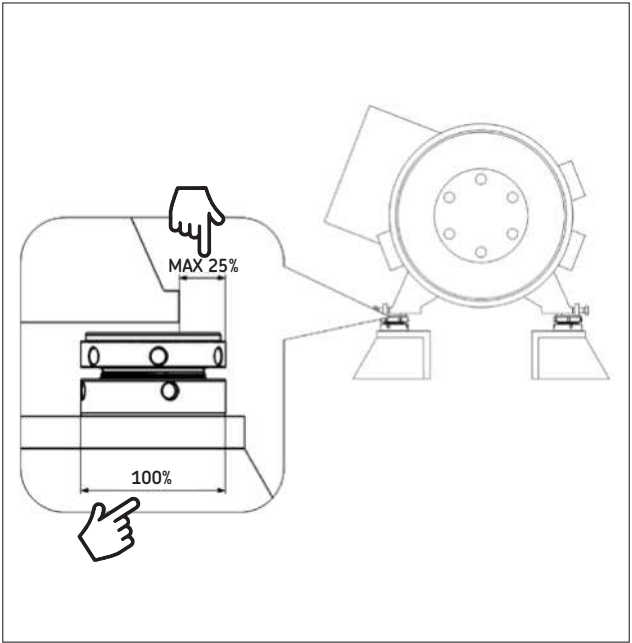
Install the SKF Vibracon chock in a position that it is easy to read the batch number. Location of the batch number faced to the outside of the installation is preferred.

15.



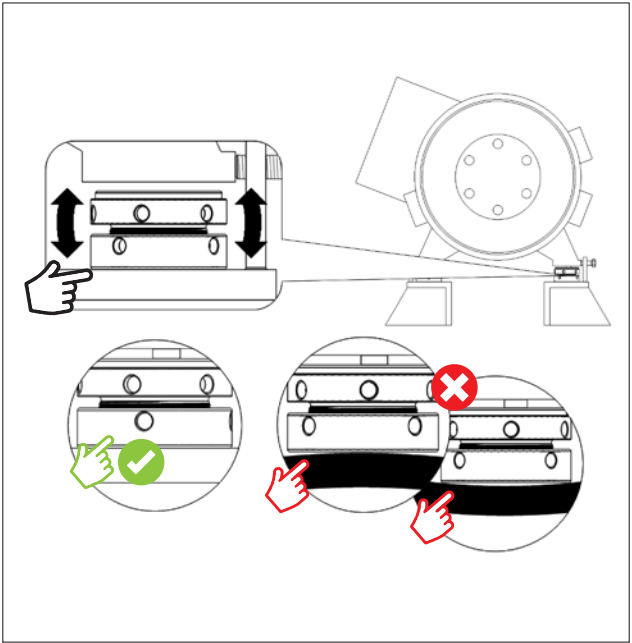
The bottom ring of the SKF Vibracon chock should be completely, 100%, supported by the support construction.

16.



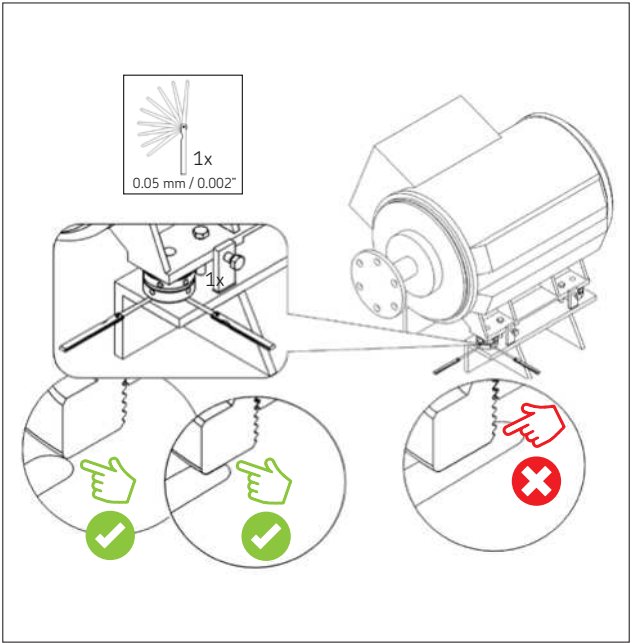
The top plate of the SKF Vibracon chock should be covered by the component foot by at least 75%.

17.



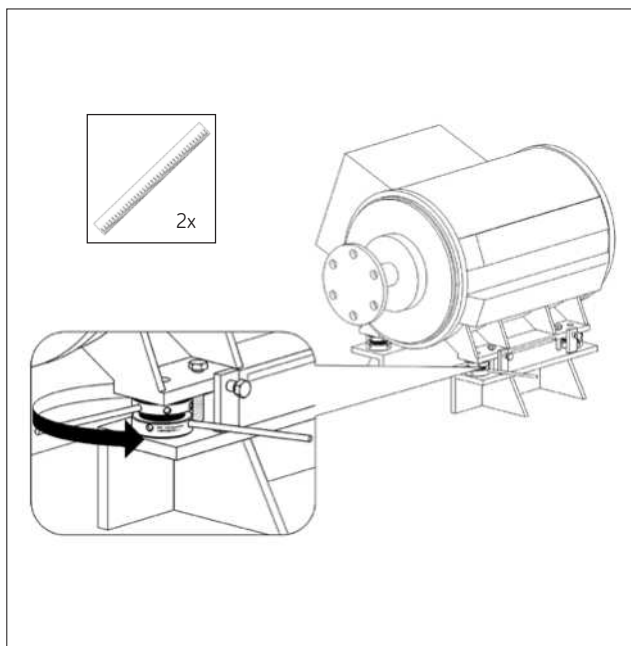
Execute a so-called wobbling / rocker test to check the quality of the contact surface between SKF Vibracon chock and support construction.

18.



Check the flatness / contact area using a feeler gauge of 0.05 mm (0.002 inch).

19.

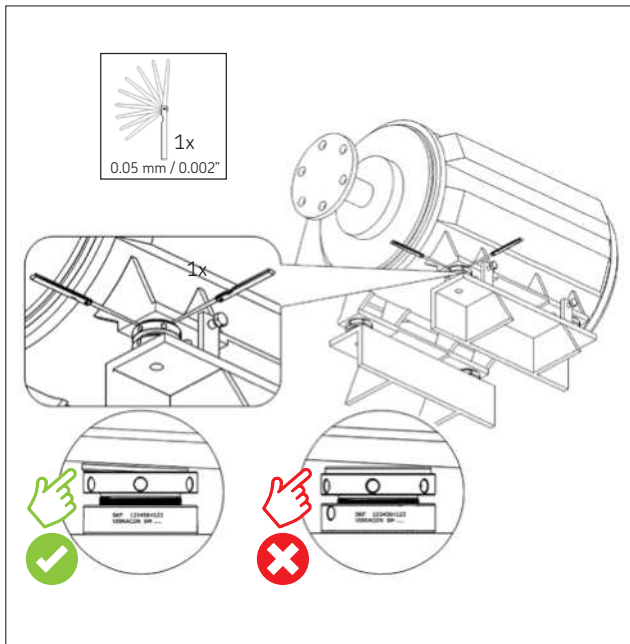


Adjust the center ring by using two rods which fit in the circular holes in the outer circumference of the center ring and the bottom ring.

SKF recommend the use of the SKF Adjustment Tool type SMAT which is available in several sizes.

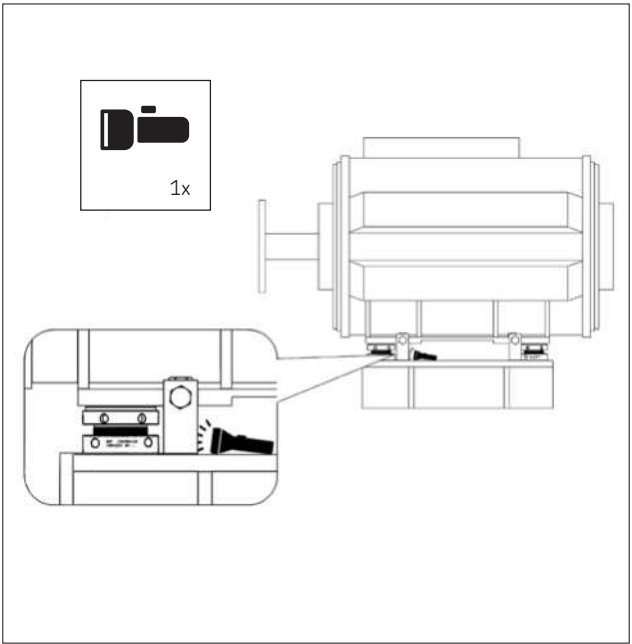
Apply the same tightening force at each position.

20.



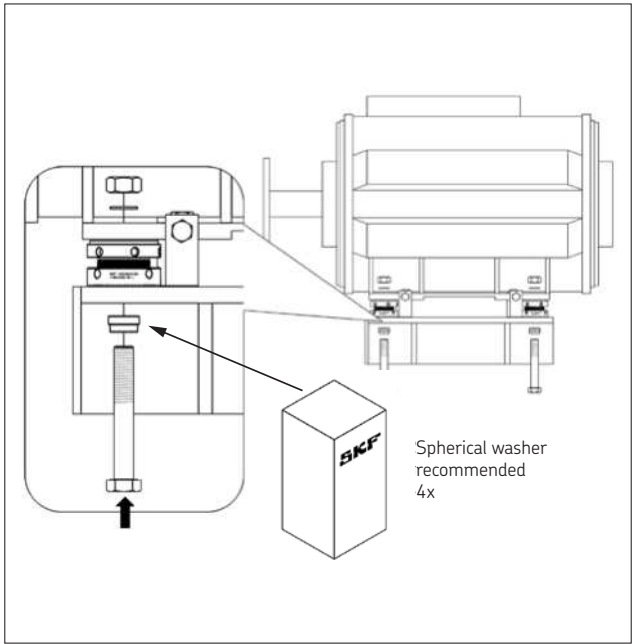
The SKF Vibracon top plate needs to be in contact with the bottom side of the component foot.
Top plate must swivel in the right angle.

21.



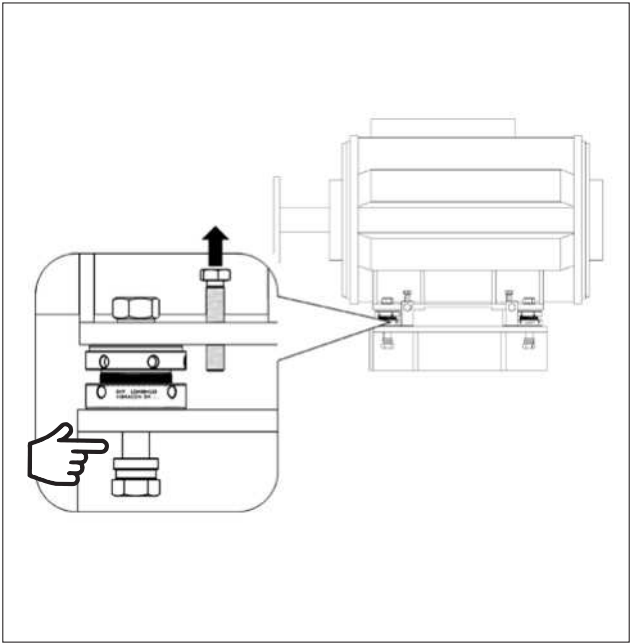
From field experience we advise to make use of a flashlight for an easy check of the contact areas between the SKF Vibracon chock and the component.

22.



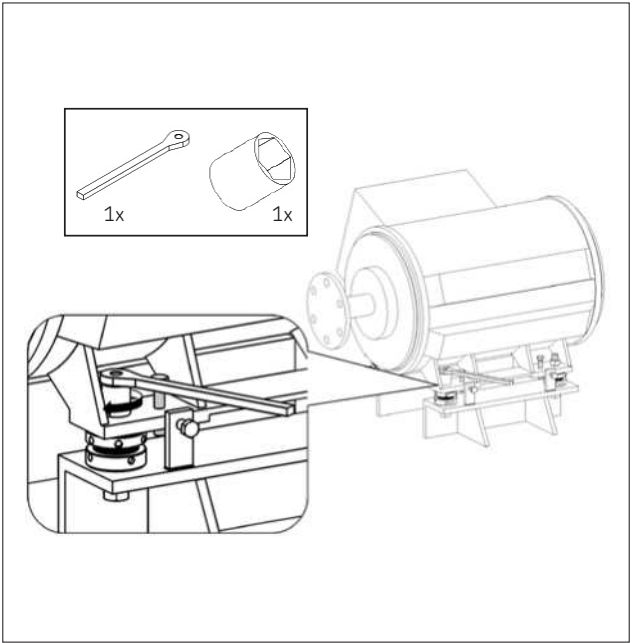
Install the foundation bolt, preferably from bottom up.
SKF recommends the use of the SKF Spherical washer.

23.



Release the adjustment bolts, the complete weight of the component is now transferred unto the SKF Vibracon. The foundation bolts are not to be tightened before releasing the adjustment bolts!

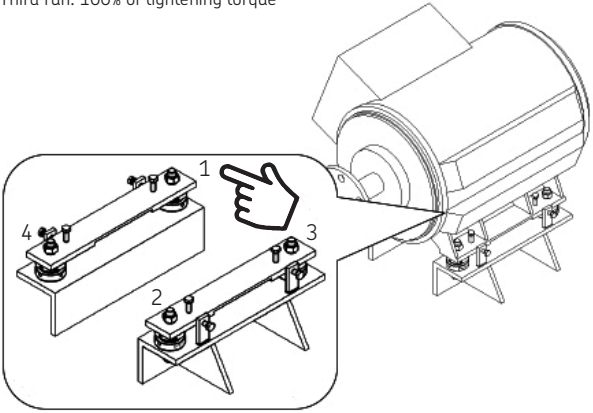
24.



Tighten the foundation bolts in the sequence and number of runs given by the Original Equipment Manufacturer (OEM).

25.

First run: 25% of tightening torque
Second run: 50% of tightening torque
Third run: 100% of tightening torque

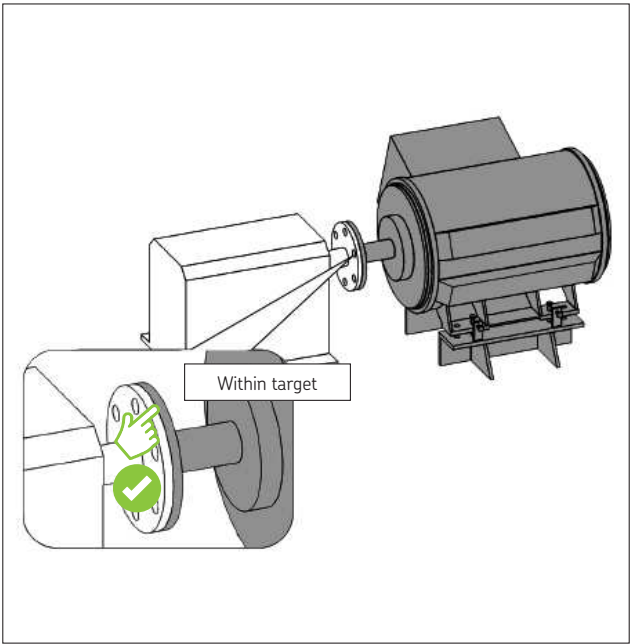


In case the number of runs is not given by the OEM, SKF recommends tightening the bolts in a minimum of 3 runs.

NOTE:

the number of runs have an influence on the accuracy of the final preload in the foundation bolts.

26.

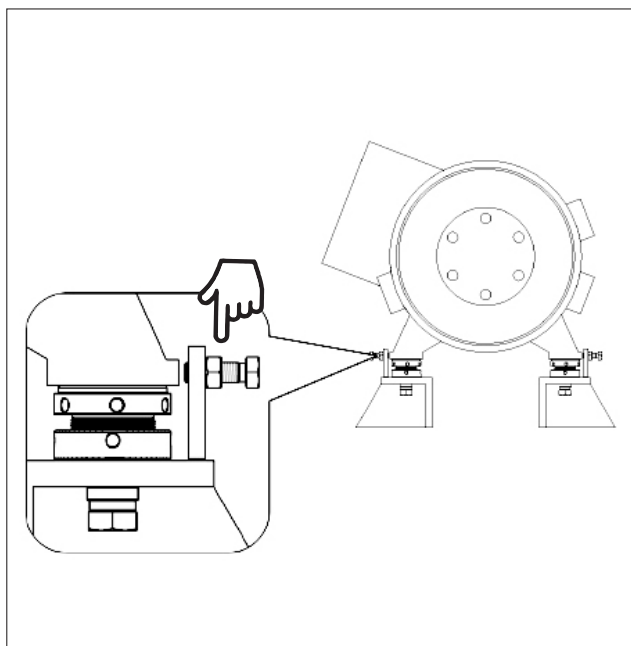


Check if the alignment of the component is within the tolerance of the final alignment target.

In case the alignment is out of tolerance foundation bolts have to be loosened.

With the use of the adjustment bolts the component can be re-aligned and actions from step 18 onwards need to be repeated.

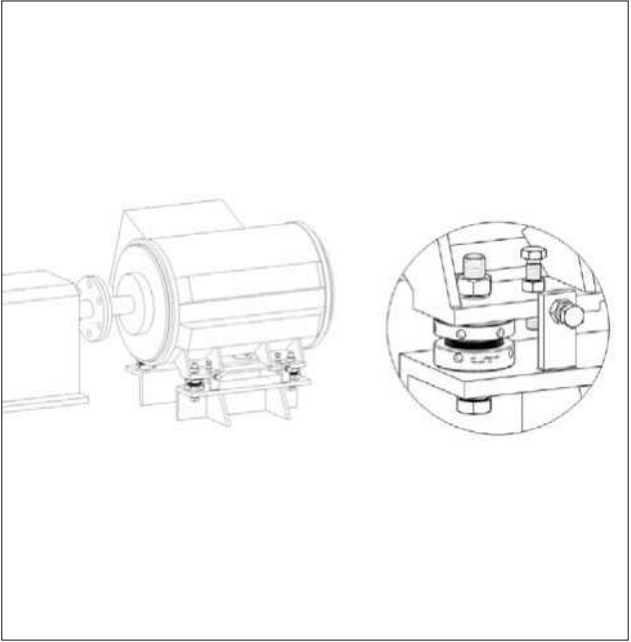
28.



After finalizing the alignment, lock the horizontal adjustment bolts with a hexagonal nut.

It is advised to keep the adjustment bolts together with the component for use in future.

29.



If you have any question about the SKF Vibracon
don't hesitate to make contact via:

vibracon@skf.com

skf.com | mapro.skf.com | vibracon@skf.com

® SKF is a registered trademark of the SKF Group.

© SKF Group 2022

The contents of this publication are the copyright of the publisher and may not be reproduced (even extracts) unless prior written permission is granted. Every care has been taken to ensure the accuracy of the information contained in this publication but no liability can be accepted for any loss or damage whether direct, indirect or consequential arising out of the use of the information contained herein.

MP5517 EN · 2022/03