

Ultra-precise Calibrated CT Series



Overview

Powerside's ultra-precise calibrated shielded split-core CT for PQube® 3 are specifically designed to meet high demanding accuracy applications.

For use with your PQube 3, 3r & 3e current inputs. The split-core CT provides low voltage linear output, proportional to the measured current.

They can be used with all 8 current channels of the PQube 3, and on all 14 current channels of the PQube 3e.

Each CT is individually calibrated to meet or exceed Class 0.2 Revenue grade accuracy.

Features

- Fully shielded double-insulated cable for noise immunity
- Easy and safe installation, no need to disconnect the line conductor.
- Rated currents 5A to 300A
- Excellent frequency bandwidth, designed for harmonic measurements to 50th harmonic at 50/60 Hz
- Unlike most instruments in the market, the certification combines the PQube 3 and the CT accuracy
- Ultra-accurate certified revenue grade to ANSI C12.20 Class 0.2 and IEC 62053-22 Class 0,2s, IEC 61000-4-7 Class I harmonic accuracy
- UL listed, every CT comes with its own calibration file and NIST-trace certificate
- Connects low voltage signals to the PQube 3 current channel terminals

SPECIFICATIONS

| | |
|----------------------------|---|
| Rated Current (Full Scale) | 5 A to 300 A 5 A, 20 A, 50 A, 100 A, 200 A, 300 A |
| Nominal Output | 0.333 VRMS at rated current |
| Crest Factor | 3.5* |
| Fundamental Frequency | 50 / 60 / 400 Hz |
| Bandwidth | 40 to 3000 Hz Harmonic measurements calibrated to 50th harmonic at 50/60 Hz per IEC 61000-4-7, class I accuracy |
| Safety | UL recognized File nb E469208 |
| Isolation | 600V to earth |
| Leads | 13 ft (4 m) 18 AWG shielded twisted pair Black negative (-), red/white positive (+) |

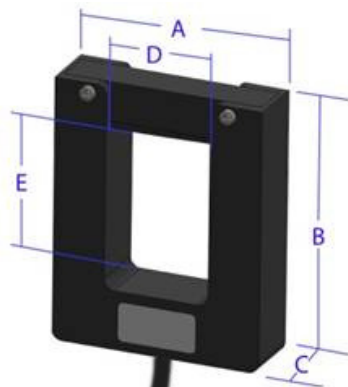
ACCURACY SPECIFICATIONS

| | |
|--------------------------------------|--|
| Magnitude Accuracy (±% rdg ±% FS) | ±0.05% typical, ±0.1% specification at 50/60 Hz, 2.5% FS to 120% FS Combined CT and PQube 3 accuracy |
| Angle Accuracy | ±0.07° typical ±0.1° specification |
| Accuracy Certification | ANSI C12.20 Class 0.2 IEC 62053-22 Class 0.2S At 50/60 Hz, 10% FS to 100% FS, Combined CT and PQube 3 accuracy |

* IEC 62053-22 Certified Influence Quantities: Load, Power Factor, Voltage, Ambient Temperature, Frequency, Phase Sequence, Harmonics, Subharmonics, AC magnetic field, DC magnetic field, RF fields, Conducted RF, Fast Transient Burst, Oscillatory impulse

ORDER INFORMATION

| RATED CURRENT | PART NUMBER | DIMENSIONS | | | | |
|---------------|-------------------------|----------------|----------------|----------------|----------------|----------------|
| | | A | B | C | D | E |
| 5A | SCN3-5A:333mV-0.7 XP | 3.08 in (78cm) | 2.37 in (60cm) | 1.14 in (29cm) | 0.7 in (18cm) | 0.7 in (18cm) |
| 20A | SCN3-20A:333mV-0.7 XP | 3.08 in (78cm) | 2.37 in (60cm) | 1.14 in (29cm) | 0.7 in (18cm) | 0.7 in (18cm) |
| 50A | SCN3-50A:333mV-0.7 XP) | 3.08 in (78cm) | 2.37 in (60cm) | 1.14 in (29cm) | 0.7 in (18cm) | 0.7 in (18cm) |
| 100A | SCN3-100A:333mV-0.7 XP | 3.08 in (78cm) | 2.37 in (60cm) | 1.14 in (29cm) | 0.7 in (18cm) | 0.7 in (18cm) |
| 200A | SCN4-200A:333mV-1.25 XP | 3.27in (83cm) | 3.17 in (81cm) | 1.39 in (35cm) | 1.25 in (32cm) | 1.25 in (32cm) |
| 300A | SCN4-300A:333mV-1.25XP | 3.27in (83cm) | 3.17 in (81cm) | 1.39 in (35cm) | 1.25 in (32cm) | 1.25 in (32cm) |



Contact us

info@powerside.com
powerside.com



Canada

7850 Trans-Canada Highway
Saint-Laurent (QC) H4T 1A5
1 (877) 333-8392

United States

980 Atlantic Ave
Alameda (CA) 94501
1 (888) 736-4347