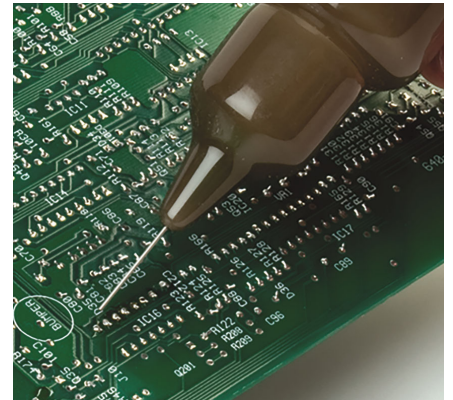


Needle Flux Dispenser

FD

Plato® flux and liquid dispensers come in several shapes and sizes to work in a wide variety of soldering applications. Needle bottles are ideal for precisely controlled flux applications. Brush bottles are a great way to aggressively but safely clean flux residues and other contaminants from PCB's. Available with ESD-Safe sleeve.

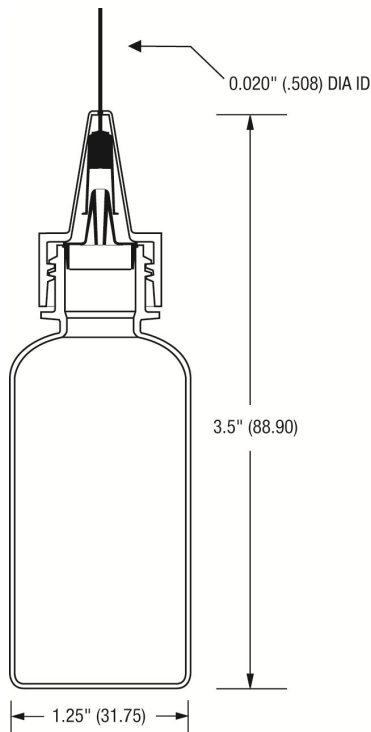
- **0.01" (0.25mm) needle** - Ideal for low viscosity no-clean and water soluble fluxes.
- **0.02" (0.50mm) needle** - Ideal for higher viscosity rosin fluxes.



Product Dimensions

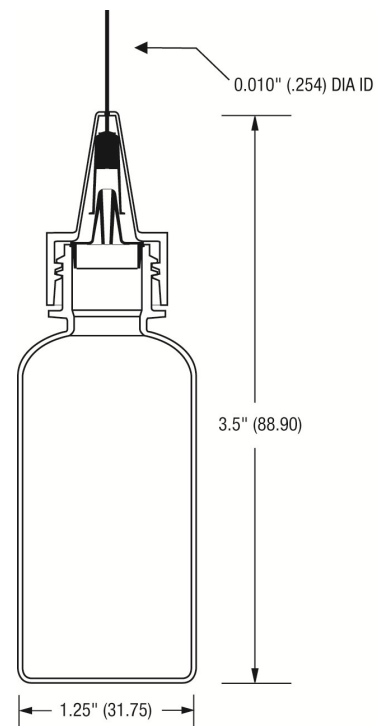
FD-2 Needle Flux Dispenser

.020 tube
10 units/case



FD-21 Needle Flux Dispenser

.010 tube
10 units/case



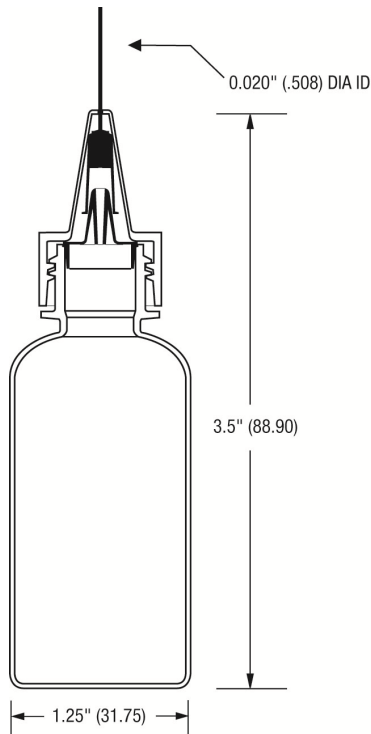
Needle Flux Dispenser

FD

Product Dimensions

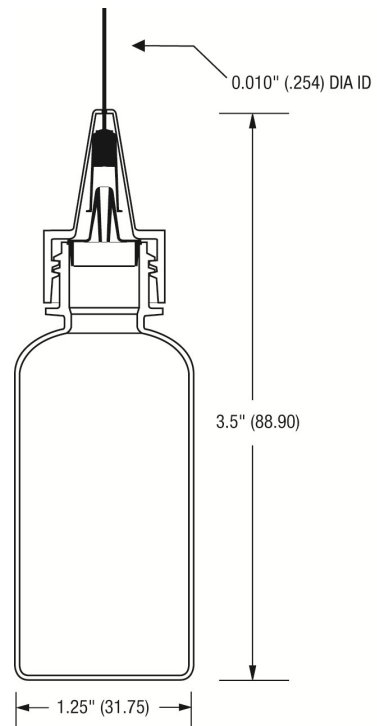
SF-01 Static Dissipative Flux Bottle

.010 tube
10 units/case



SF-02 Static Dissipative Flux Bottle

.020 tube
10 units/case



Environmental Policy

We are committed to developing products to ensure a safer and cleaner environment. We will continue to meet and sustain the regulations of all federal, state and local government agencies.

Resources

Plato products are supported by global sales, technical and customer services resources.

For additional technical information on these products or other Plato products in the United States, call the technical sales department at 800-858-4043, email info@platoproducts.com or visit our web site at: www.platoproducts.com.

Important Notice to Purchaser/User: The information in this publication is based on tests that we believe are reliable. The results may vary due to differences in tests type and conditions. We recommend that each user evaluate the product to determine its suitability for the intended application. Conditions of use are outside our control and vary widely. Our only obligation and your only solution is replacement of product that is shown to be defective when you receive it. In no case will we be liable for any special, incidental, or consequential damages based on breach of warranty, negligence or any other theory.

● North America

ITW Contamination Control - Electronics
8125 Cobb Center Drive
Kennesaw, GA 30152
800-858-4043
info@platoproducts.com

● Europe

ITW Contamination Control BV
Saffierlaan 5, 2132 VZ Hoofddorp
The Netherlands
+31 88 1307 400
info@itw-cc.com

● Countries outside the US

Call to locate a distributor in your country