



# User Manual

PCE-MIR 10 Infrared Thermometer



User manuals in various languages (français, italiano, español, português, nederlands, türk, polski, русский, 中文) can be found by using our product search on: [www.pce-instruments.com](http://www.pce-instruments.com)

Last change: 6 May 2024  
v1.0

## Contents

<b>1</b>	<b>Safety notes</b> .....	<b>1</b>
<b>2</b>	<b>Technical specifications</b> .....	<b>2</b>
<b>3</b>	<b>Delivery contents</b> .....	<b>2</b>
<b>4</b>	<b>Device description</b> .....	<b>3</b>
4.1	Display description .....	3
<b>5</b>	<b>Making a measurement</b> .....	<b>4</b>
5.1	Distance-to-target-ratio.....	4
<b>6</b>	<b>Setting the temperature unit</b> .....	<b>4</b>
<b>7</b>	<b>Highest and lowest measured value</b> .....	<b>4</b>
<b>8</b>	<b>Backlight</b> .....	<b>4</b>
<b>9</b>	<b>Laser pointer</b> .....	<b>4</b>
<b>10</b>	<b>Replacing / insertig the battery</b> .....	<b>5</b>
<b>11</b>	<b>Contact</b> .....	<b>6</b>
<b>12</b>	<b>Disposal</b> .....	<b>6</b>

## 1 Safety notes

Please read this manual carefully and completely before you use the device for the first time. The device may only be used by qualified personnel and repaired by PCE Instruments personnel. Damage or injuries caused by non-observance of the manual are excluded from our liability and not covered by our warranty.

- The device must only be used as described in this instruction manual. If used otherwise, this can cause dangerous situations for the user and damage to the meter.
- The instrument may only be used if the environmental conditions (temperature, relative humidity, ...) are within the ranges stated in the technical specifications. Do not expose the device to extreme temperatures, direct sunlight, extreme humidity or moisture.
- Do not expose the device to shocks or strong vibrations.
- The case should only be opened by qualified PCE Instruments personnel.
- Never use the instrument when your hands are wet.
- You must not make any technical changes to the device.
- The appliance should only be cleaned with a damp cloth. Use only pH-neutral cleaner, no abrasives or solvents.
- The device must only be used with accessories from PCE Instruments or equivalent.
- Before each use, inspect the case for visible damage. If any damage is visible, do not use the device.
- Do not use the instrument in explosive atmospheres.
- The measurement range as stated in the specifications must not be exceeded under any circumstances.
- Non-observance of the safety notes can cause damage to the device and injuries to the user.
- Never point the laser at persons or animals.
- Never look into the laser beam directly-

We do not assume liability for printing errors or any other mistakes in this manual.

We expressly point to our general guarantee terms which can be found in our general terms of business.

## 2 Technical specifications

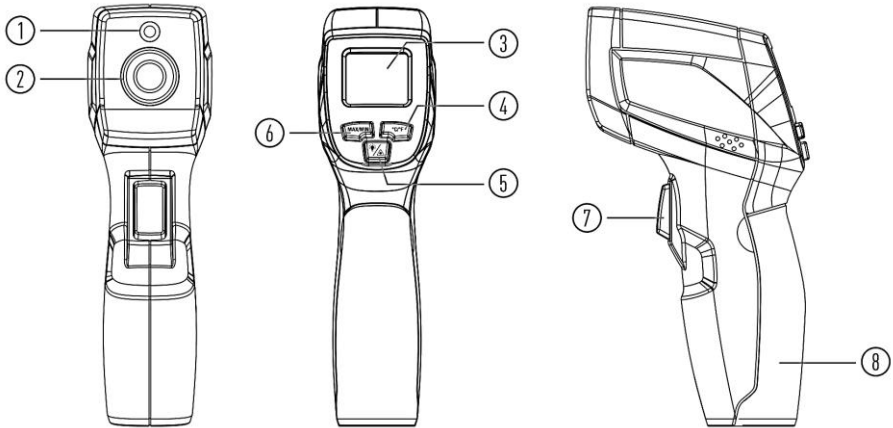
Model	PCE-MIR 10
Measurement range	-50 ... 500 °C / -58 ... 932 °F
Resolution	0.1 °C / 0.1 °F
Accuracy	±3 °C / 5.4 °F at -50 ... +20 °C / -58 ... +68 °F
	±2 % ±2 °C / 3.6 °F at 20 ... 500 °C / 68 ... 932 °F
Repeatability	±1 °C / ±1.8 °F
Distance-to-target-ratio	12:1
Emissivity	0.95 fixed
Measurement rate	2 Hz
Spectral range	8 ... 14 µm
Overload indication	" - - - - "
Laser	output power: <1 mW wavelength: 630 ... 670 nm; laser class: 2
Power supply	9 V block battery
Operating conditions	0 ... 50 °C / 32 ... 122 °F, <90 % RH
Storage conditions	-10 ... 60 °C / 14 ... 140 °F, <80 % RH
Dimensions	175 x 75 x 35 mm
Weight	132 g

## 3 Delivery contents

- 1 x PCE-MIR 10
- 1 x carrying bag
- 1 x 9 V block battery
- 1 x user manual

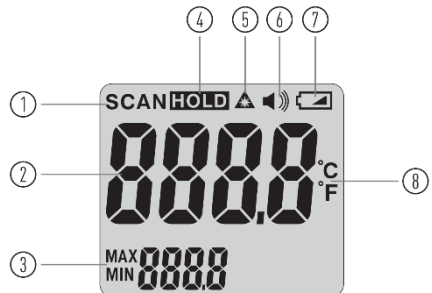
## 4 Device description

No.	Description
1	Laser pointer
2	Infrared sensor
3	Display
4	°C / °F key to set temperature unit
5	Key to (de)activate backlight and laser pointer
6	MAX / MIN key to display highest and lowest measured value
7	Power key to witch on meter and to start the measurement
8	Battery compartment cover



### 4.1 Display description

No.	Description
1	SCAN: ongoing measurement
2	Measured value
3	Displayed temperature is the highest or lowest measured
4	Displayed reading is held
5	Laser pointer is active
6	Sound function not available
7	Battery status display
8	Temperature unit

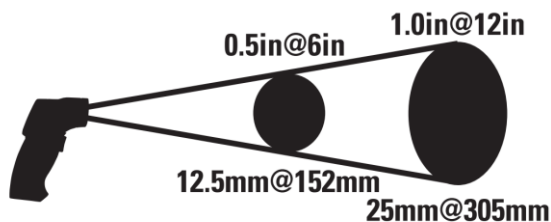


## 5 Making a measurement

To carry out a measurement, press and hold the power key during the measurement. The meter switches on. Release the key to interrupt the measurement. To switch the meter off, wait 10 seconds. The device switches itself off.

### 5.1 Distance-to-target-ratio

The distance-to-target-ratio must be observed during the measurement. The distance-to-target-ratio is 12:1, which means that the size of the measuring spot is 1/12 of the distance of the measuring surface. The measured value is the average of the measuring spot.



**Distance : Spot = 12:1**

## 6 Setting the temperature unit


To set the temperature unit, press the "°C/°F" key. The display will change immediately. You can choose between °C and °F.

## 7 Highest and lowest measured value


The highest and the lowest measured value are shown at the bottom of the display. To select between the highest and lowest values, press the "MAX/MIN" key. The display changes immediately.

**Note:** The highest and lowest measured value are reset whenever a new measurement is started. This function cannot be deactivated.

## 8 Backlight

To (de)activate the backlight, press and release the  key.

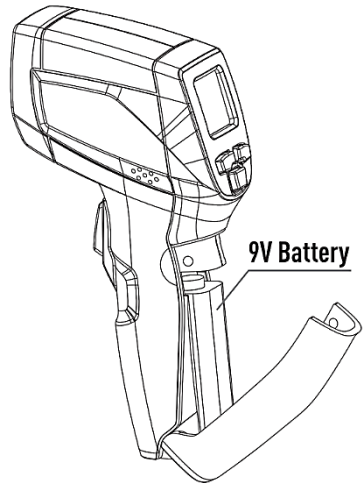
## 9 Laser pointer

To activate the laser pointer for better orientation or to deactivate it, press and hold the  key for several seconds.

## 10 Replacing / insertig the battery

To insert or replace the battery, open the battery compartment. Now insert a 9 V block battery. Ensure that the polarity is correct.

**Note:** If the battery indicator appears on the display, the battery is flat and must be replaced to ensure proper function.



## 11 Contact

If you have any questions, suggestions or technical problems, please do not hesitate to contact us. You will find the relevant contact information at the end of this user manual.

## 12 Disposal

For the disposal of batteries in the EU, the 2006/66/EC directive of the European Parliament applies. Due to the contained pollutants, batteries must not be disposed of as household waste. They must be given to collection points designed for that purpose.

In order to comply with the EU directive 2012/19/EU we take our devices back. We either re-use them or give them to a recycling company which disposes of the devices in line with law.

For countries outside the EU, batteries and devices should be disposed of in accordance with your local waste regulations.

If you have any questions, please contact PCE Instruments.





## PCE Instruments contact information

### Germany

PCE Deutschland GmbH  
Im Langel 26  
D-59872 Meschede  
Deutschland  
Tel.: +49 (0) 2903 976 99 0  
Fax: +49 (0) 2903 976 99 29  
info@pce-instruments.com  
www.pce-instruments.com/deutsch

### United Kingdom

PCE Instruments UK Ltd  
Trafford House  
Chester Rd, Old Trafford  
Manchester M32 0RS  
United Kingdom  
Tel: +44 (0) 161 464902 0  
Fax: +44 (0) 161 464902 9  
info@pce-instruments.co.uk  
www.pce-instruments.com/english

### The Netherlands

PCE Brookhuis B.V.  
Institutenweg 15  
7521 PH Enschede  
Nederland  
Telefoon: +31 (0)53 737 01 92  
info@pcebenelux.nl  
www.pce-instruments.com/dutch

### France

PCE Instruments France EURL  
23, rue de Strasbourg  
67250 Soultz-Sous-Forêts  
France  
Téléphone: +33 (0) 972 3537 17  
Numéro de fax: +33 (0) 972 3537 18  
info@pce-france.fr  
www.pce-instruments.com/french

### Italy

PCE Italia s.r.l.  
Via Pesciatina 878 / B-Interno 6  
55010 Loc. Gragnano  
Capannori (Lucca)  
Italia  
Telefono: +39 0583 975 114  
Fax: +39 0583 974 824  
info@pce-italia.it  
www.pce-instruments.com/italiano

### United States of America

PCE Americas Inc.  
1201 Jupiter Park Drive, Suite 8  
Jupiter / Palm Beach  
33458 FL  
USA  
Tel: +1 (561) 320-9162  
Fax: +1 (561) 320-9176  
info@pce-americas.com  
www.pce-instruments.com/us

### Spain

PCE Ibérica S.L.  
Calle Mula, 8  
02500 Tobarra (Albacete)  
España  
Tel. : +34 967 543 548  
Fax: +34 967 543 542  
info@pce-iberica.es  
www.pce-instruments.com/espanol

### Turkey

PCE Teknik Cihazları Ltd.Şti.  
Halkalı Merkez Mah.  
Pehlivan Sok. No.6/C  
34303 Küçükçekmece - İstanbul  
Türkiye  
Tel: 0212 471 11 47  
Faks: 0212 705 53 93  
info@pce-cihazlari.com.tr  
www.pce-instruments.com/turkish

### Denmark

PCE Instruments Denmark ApS  
Birk Centerpark 40  
7400 Herning  
Denmark  
Tel.: +45 70 30 53 08  
kontakt@pce-instruments.com  
www.pce-instruments.com/dansk