



WR-28 UG-599/U Square Cover Flange to 2.92mm
Female Waveguide to Coax Adapter Operating
From 26.5 GHz to 40 GHz, Ka Band

Waveguide to Coax Adapters Technical Data Sheet

PEWCA1020

Features

- Ka Band 26.5 to 40 GHz Frequency Range
- WR-28 Waveguide Interface with UG-599/U Square Cover Flange
- 2.92mm Female RF Interface
- Comprehensive waveguide offerings also include E-Bends, H-Bends, Sections, Filters, Terminations, Couplers, and more.

Applications

- Test Benches
- Radar
- Satellite
- Microwave Radio Systems
- Military and Space
- Communication Systems

Description

The PEWCA1020 is a waveguide to coaxial adapter operating in the Ka Band with a 26.5 to 40 GHz frequency range. This adapter offers a WR-28 waveguide interface size coupled with a precision tolerance UG-599/U Square cover flange. The PEWCA1020 is constructed of aluminum to ensure durability and repeatable RF performance. The coaxial connection offered by this adapter uses a 2.92mm Female connector.

Configuration

Waveguide Size	WR-28
Flange	UG-599/U Square Cover
RF Connector	2.92mm Female
Body Geometry	Right Angle

Electrical Specifications

Description	Minimum	Typical	Maximum	Units
Frequency Range	26.5		40	GHz
VSWR			1.3:1	
Insertion Loss		0.3		dB

Mechanical Specifications

RF Connector	
Connector Type	2.92mm Female
Waveguide Interface	
Waveguide Type	WR-28
Flange Type	Square Cover
Flange Designation	UG-599/U
Body Material and Plating	Aluminum, Chem Film

Click the following link (or enter part number in "SEARCH" on website) to obtain additional part information including price, inventory and certifications: [WR-28 UG-599/U Square Cover Flange to 2.92mm Female Waveguide to Coax Adapter Operating From 26.5 GHz to 40 GHz, Ka Band PEWCA1020](#)



WR-28 UG-599/U Square Cover Flange to 2.92mm
Female Waveguide to Coax Adapter Operating
From 26.5 GHz to 40 GHz, Ka Band

Waveguide to Coax Adapters Technical Data Sheet

PEWCA1020

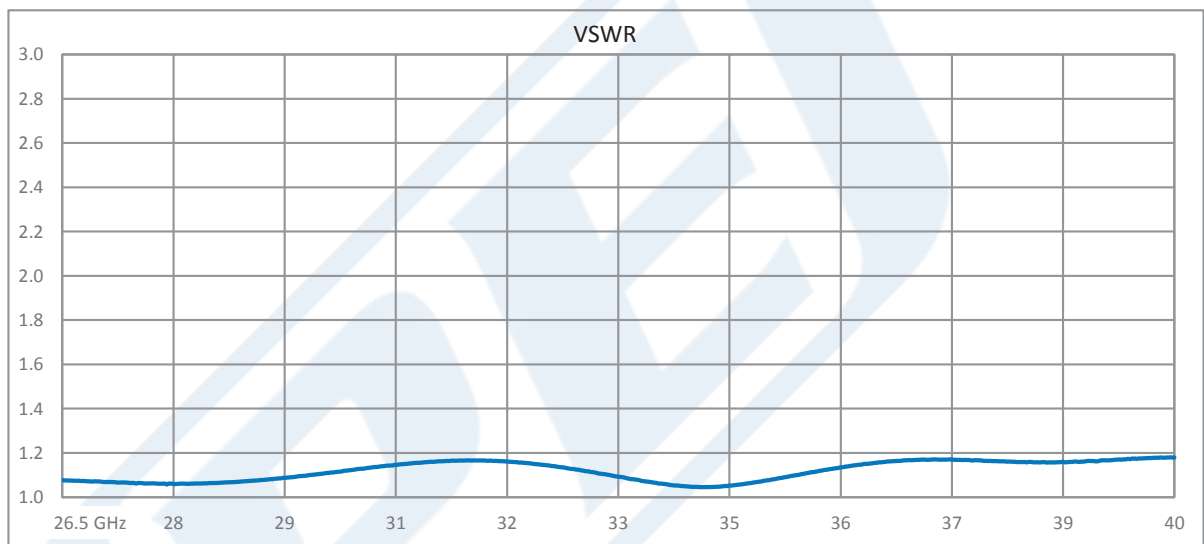
Compliance Certifications (see [product page](#) for current document)

Plotted and Other Data

Notes:

- Values at +25 °C, sea level unless stated otherwise

Typical Performance Data



WR-28 UG-599/U Square Cover Flange to 2.92mm Female Waveguide to Coax Adapter Operating From 26.5 GHz to 40 GHz, Ka Band from Pasternack Enterprises has same day shipment for domestic and International orders. Our RF, microwave and millimeter wave products maintain a 99.4% availability and are part of the broadest selection in the industry.

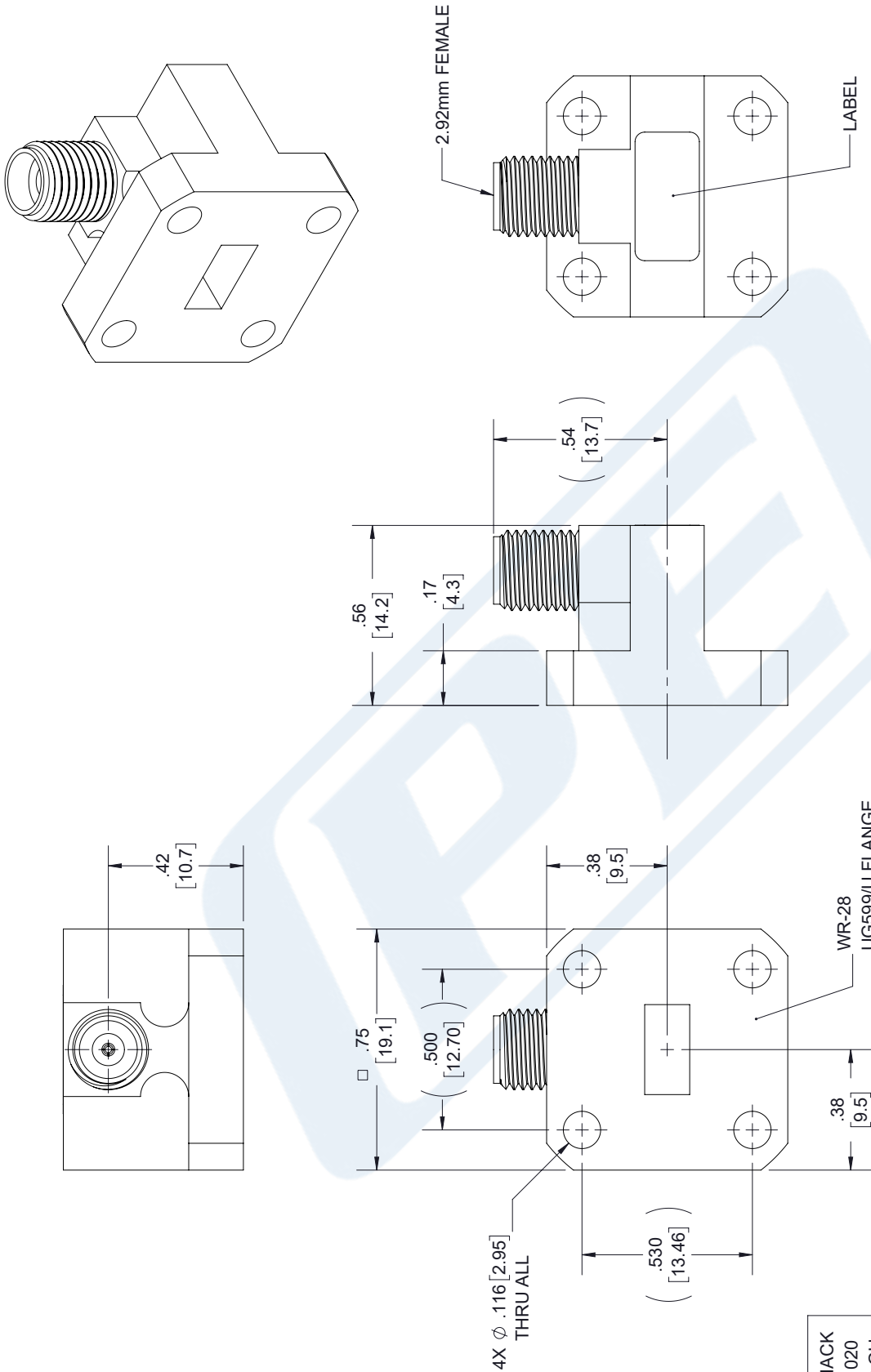
Click the following link (or enter part number in "SEARCH" on website) to obtain additional part information including price, inventory and certifications: [WR-28 UG-599/U Square Cover Flange to 2.92mm Female Waveguide to Coax Adapter Operating From 26.5 GHz to 40 GHz, Ka Band PEWCA1020](#)

URL: <https://www.pasternack.com/wr-28-ug599-square-2.92mm-female-waveguide-coax-adapter-pewca1020-p.aspx>

The information contained in this document is accurate to the best of our knowledge and representative of the part described herein. It may be necessary to make modifications to the part and/or the documentation of the part, in order to implement improvements. Pasternack reserves the right to make such changes as required. Unless otherwise stated, all specifications are nominal. Pasternack does not make any representation or warranty regarding the suitability of the part described herein for any particular purpose, and Pasternack does not assume any liability arising out of the use of any part or documentation.

PEWCA1020 CAD Drawing

WR-28 UG-599/U Square Cover Flange to 2.92mm Female Waveguide to Coax Adapter Operating From 26.5 GHz to 40 GHz, Ka Band



LABEL:

PASTERNAK
PEWCA1020
26.5 - 40.0 GHZ

STANDARD TOLERANCES	
.X	±0.2
.XX	±0.02
.XXX	±0.010

*STANDARD TOLERANCES APPLY ONLY TO DIMENSIONS IN INCHES



Pasternack Enterprises, Inc.
P.O. Box 16759 | Irvine | CA | 92623
Phone: (949) 261-1920 | Fax: (949) 261-7451
Website: www.pasternack.com | E-Mail: sales@pasternack.com

DWG TITLE
PEWCA1020

NOTES:
1. UNLESS OTHERWISE SPECIFIED ALL DIMENSIONS ARE NOMINAL.
2. ALL SPECIFICATIONS ARE SUBJECT TO CHANGE WITHOUT NOTICE AT ANY TIME
3. DIMENSIONS ARE IN INCHES [mm].

CAGE CODE 53919

SCALE N/A
CAD FILE 020818
SIZE A
7361