



SMA Female to SSMA Male Adapter

RF Adapters Technical Data Sheet

PE9188

Configuration

- SMA Female Connector 1
- SSMA Male Connector 2
- 50 Ohms
- Straight Body Geometry

Features

- Max VSWR of 1.3:1 up to 18 GHz
- SMA Interface compliant with MIL-STD-348A
- SSMA Interface compliant with MIL-STD-348A
- Gold Plated Beryllium Copper Contact
- 30 µ-in min Gold Contact Plating

Applications

- Allows Connection Between Series
- General Purpose Test

Description

Pasternack's PE9188 SMA female to SSMA male adapter is part of our full line of RF components available for same-day shipping. The SMA connector mates mechanically with commercially available 3.5mm and 2.92mm (K) connectors. Our SMA to SSMA adapter has a female to male gender configuration. PE9188 SMA female to SSMA male adapter operates to 18 GHz. The Pasternack RF adapter provides good VSWR of 1.3:1 maximum.

RF adapters are often used to enable connections between two connector types that would otherwise not mate. Certain adapter configurations can also be used to protect connectors on expensive equipment where the number of connect/disconnect cycles is high. An RF, microwave or millimeter wave adapter is connected to the equipment, and the commonly changed connection is made with the adapter which can be easily replaced when it wears out after high usage; such adapters are referred to as connector savers. Pasternack also offers bulkhead, panel mount, hermetically sealed, reverse polarity, and isolated ground adapter varieties to serve all of your RF, microwave and millimeter wave needs.

Electrical Specifications

Description	Minimum	Typical	Maximum	Units
Frequency Range	DC		18	GHz
VSWR			1.3:1	
Operating Voltage (AC)			250	Vrms

Mechanical Specifications

Size	
Length	0.805 in [20.45 mm]
Width	0.25 in [6.35 mm]
Weight	0.006 lbs [2.72 g]

Click the following link (or enter part number in "SEARCH" on website) to obtain additional part information including price, inventory and certifications: [SMA Female to SSMA Male Adapter PE9188](#)



SMA Female to SSMA Male Adapter

RF Adapters Technical Data Sheet

PE9188

Description	Connector 1	Connector 2
Type	SMA Female	SSMA Male
Polarity	Standard	Standard
Interface Specification	MIL-STD-348A	MIL-STD-348A
Hex Size		1/4 in

Mechanical Specification Notes:
Recommended coupling torque: 2 in-lbs.

Material Specifications

Description	Connector 1		Connector 2	
	Material	Plating	Material	Plating
Type	SMA Female		SSMA Male	
Contact	Beryllium Copper	Gold 30 μ-in minimum	Beryllium Copper	Gold 30 μ-in minimum
Insulation	PTFE		PTFE	
Outer Conductor	Passivated Stainless Steel			
Body			Passivated Stainless Steel	
Gasket			Silicone	
Coupling Nut			Passivated Stainless Steel	

Environmental Specifications

Temperature

Operating Range -65 to +165 deg C

Compliance Certifications (see [product page](#) for current document)

Plotted and Other Data

Notes:

Click the following link (or enter part number in "SEARCH" on website) to obtain additional part information including price, inventory and certifications: [SMA Female to SSMA Male Adapter PE9188](#)



SMA Female to SSMA Male Adapter

RF Adapters Technical Data Sheet

PE9188

SMA Female to SSMA Male Adapter from Pasternack Enterprises has same day shipment for domestic and International orders. Our RF, microwave and millimeter wave products maintain a 99% availability and are part of the broadest selection in the industry.

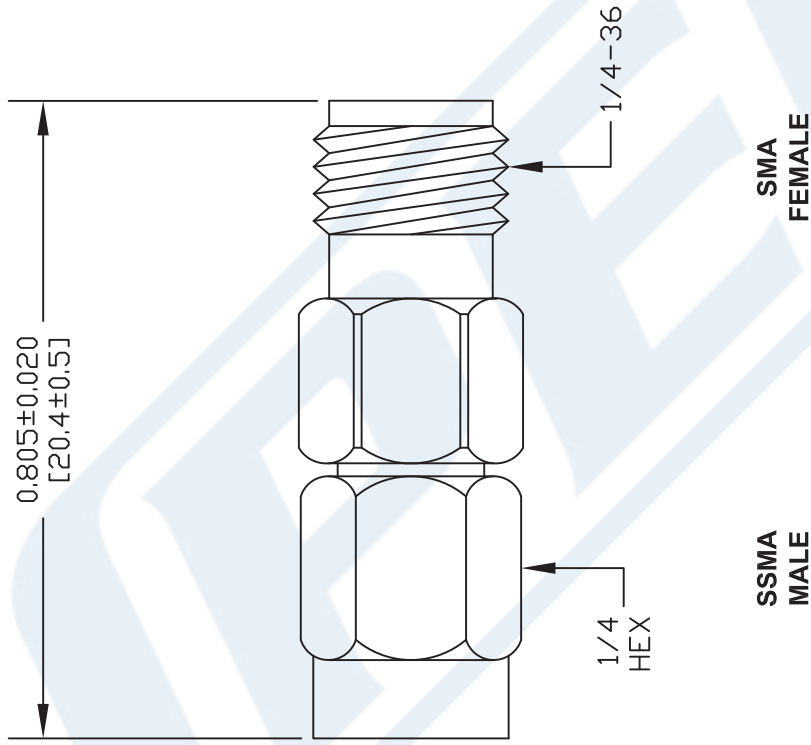
Click the following link (or enter part number in "SEARCH" on website) to obtain additional part information including price, inventory and certifications: [SMA Female to SSMA Male Adapter PE9188](#)

URL: <https://www.pasternack.com/sma-female-ssma-male-straight-adapter-pe9188-p.aspx>

The information contained in this document is accurate to the best of our knowledge and representative of the part described herein. It may be necessary to make modifications to the part and/or the documentation of the part, in order to implement improvements. Pasternack reserves the right to make such changes as required. Unless otherwise stated, all specifications are nominal. Pasternack does not make any representation or warranty regarding the suitability of the part described herein for any particular purpose, and Pasternack does not assume any liability arising out of the use of any part or documentation.

PE9188 CAD Drawing

SMA Female to SSMA Male Adapter



STANDARD TOLERANCES	
.X	±0.2
.XX	±0.1
.XXX	±0.05

*STANDARD TOLERANCES APPLY ONLY TO DIMENSIONS IN INCHES

<p>PE PASTERNAK® THE ENGINEER'S RF SOURCE Pasternack Enterprises, Inc. P.O. Box 16759 Irvine CA 92623 Phone: (949) 261-1920 Fax: (949) 261-7451 Website: www.pasternack.com E-Mail: sales@pasternack.com</p>	<p>DWG TITLE PE9188</p>	<p>NOTES: 1. UNLESS OTHERWISE SPECIFIED ALL DIMENSIONS ARE NOMINAL. 2. ALL SPECIFICATIONS ARE SUBJECT TO CHANGE WITHOUT NOTICE AT ANY TIME. 3. DIMENSIONS ARE IN INCHES [mm].</p>
<p>FSCM NO. 53919</p>	<p>CAD FILE 021616</p>	<p>SCALE N/A</p>
<p>SIZE A</p>	<p>3045</p>	<p>3045</p>