



1 Watt RF Load Up to 6 GHz with SMA
Male Tri-Metal Plated Brass

RF Terminations Technical Data Sheet

PE6TR1014

Electrical Specifications

Description	Minimum	Typical	Maximum	Units
Frequency Range	DC		6	GHz
Impedance		50		Ohms
VSWR			1.2:1	
Input Power (CW) Derated Linearly to 10% @ 125°C			1	Watts
Input Power (Peak) 5 μs Pulse, 0.05% Duty Cycle			1	KWatts
Temperature Coefficient		200		ppm/deg C

Performance by Frequency

Description	F1	F2	F3	F4	F5	Units
Frequency Range	DC to 3	3 to 6				GHz
VSWR, Max	1.15:1	1.2:1				

Mechanical Specifications

Size	
Length	0.43 in [10.92 mm]
Width	0.18 in [4.57 mm]
Weight	0.006 lbs [2.72 g]
Configuration	
Connector	SMA Male
Hex Size	5/16 in.
Mating Torque	5 in-lbs [0.57 Nm]

Click the following link (or enter part number in "SEARCH" on website) to obtain additional part information including price, inventory and certifications: [1 Watt RF Load Up to 6 GHz with SMA Male Tri-Metal Plated Brass PE6TR1014](#)



1 Watt RF Load Up to 6 GHz with SMA
Male Tri-Metal Plated Brass

RF Terminations Technical Data Sheet

PE6TR1014

Material Specifications

Description	Material	Plating
Connector 1 Contact	Brass	Gold
Insulation	PTFE	
Body	Brass	Tri-Metal
Coupling Nut	Brass	Tri-Metal
Housing	Brass	Tri-Metal

Environmental Specifications

Temperature

Operating Range -55 to +125 deg C

Compliance Certifications (see [product page](#) for current document)

Plotted and Other Data

Notes:

1 Watt RF Load Up to 6 GHz with SMA Male Tri-Metal Plated Brass from Pasternack Enterprises has same day shipment for domestic and International orders. Our RF, microwave and millimeter wave products maintain a 99% availability and are part of the broadest selection in the industry.

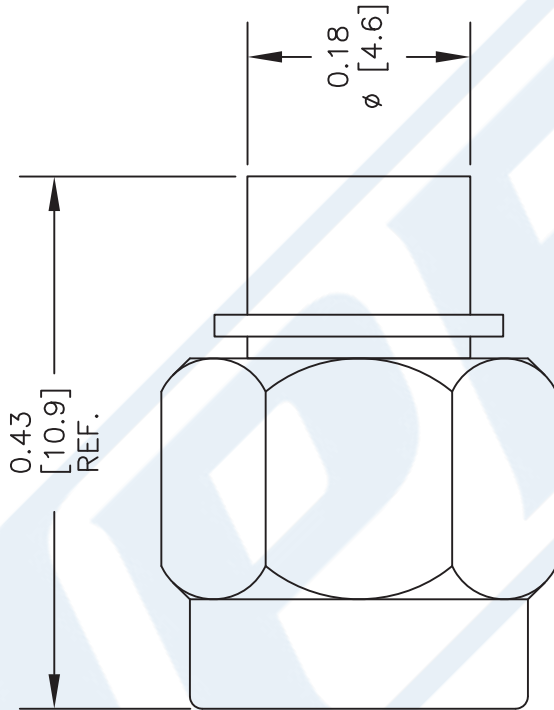
Click the following link (or enter part number in "SEARCH" on website) to obtain additional part information including price, inventory and certifications: [1 Watt RF Load Up to 6 GHz with SMA Male Tri-Metal Plated Brass PE6TR1014](#)

URL: <https://www.pasternack.com/1-watts-sma-male-rf-load-up-to-6-ghz-precision-pe6tr1014-p.aspx>

The information contained in this document is accurate to the best of our knowledge and representative of the part described herein. It may be necessary to make modifications to the part and/or the documentation of the part, in order to implement improvements. Pasternack reserves the right to make such changes as required. Unless otherwise stated, all specifications are nominal. Pasternack does not make any representation or warranty regarding the suitability of the part described herein for any particular purpose, and Pasternack does not assume any liability arising out of the use of any part or documentation.

PE6TR1014 CAD Drawing

1 Watt RF Load Up to 6 GHz with SMA Male Tri-Metal Plated Brass



DWG TITLE

PE6TR1014

FSCM NO. 53919

NOTES:
1. UNLESS OTHERWISE SPECIFIED ALL DIMENSIONS ARE NOMINAL.
2. ALL SPECIFICATIONS ARE SUBJECT TO CHANGE WITHOUT NOTICE AT ANY TIME.
3. DIMENSIONS ARE IN INCHES [mm].

CAD FILE

101315

SCALE N/A

SIZE A

2233



THE ENGINEER'S RF SOURCE

Pasternack Enterprises, Inc.

P.O. Box 16759 | Irvine | CA | 92623

Phone: (949) 261-1920 | Fax: (949) 261-7451

Website: www.pasternack.com | E-Mail: sales@pasternack.com