



2 Way SMA Power Divider From DC to 18 GHz Rated at 1 Watt

Power Dividers Technical Data Sheet

PE2084

Features

- 2-Way Power Divider
- Resistive Design
- DC to 18 GHz Frequency Range
- Insertion Loss 7.5 dB Typ
- Max Power 1 Watt (CW)

Applications

- Test and Measurement
- Military Communications
- Commercial Communications
- Wireless Communications
- SATCOM

Description

Pasternack carries a wide selection of power dividers to fit your needs. These components are essential in many systems, allowing the combination of multiple signals or splitting of a single signal into multiple signals with equal magnitude and phase. Pasternack's resistive and Wilkinson power dividers come with excellent performance featuring minimal loss, high isolation and low VSWR. They are available in both narrow and broad bandwidths with a variety of connector types such as 2.92mm, BNC, N and SMA.

The PE2084 is a 2-way resistive power divider that operates from DC to 18 GHz and can handle up to 1 Watt (CW) with 7.5 dB typ insertion loss. The package interface uses SMA female connectors and is REACH and RoHS compliant.

Electrical Specifications

Design	Resistive
Number of Output Ports	2

Description	Minimum	Typical	Maximum	Units
Frequency Range	DC		18	GHz
Impedance		50		Ohms
Input VSWR			1.3:1	
Insertion Loss		7.5		dB
Amplitude Balance		0.5		dB
Phase Balance		±3		Degrees
Input Power (CW)			1	Watts
derated linearly to 0W at +125°C				

Electrical Specification Notes:
 Insertion loss includes splitting loss.

Click the following link (or enter part number in "SEARCH" on website) to obtain additional part information including price, inventory and certifications: [2 Way SMA Power Divider From DC to 18 GHz Rated at 1 Watt PE2084](#)



2 Way SMA Power Divider From DC to 18 GHz Rated at 1 Watt

Power Dividers Technical Data Sheet

PE2084

Mechanical Specifications

Size

Length	0.5 in [12.7 mm]
Width	0.5 in [12.7 mm]
Height	0.38 in [9.65 mm]
Weight	0.036 lbs [16.33 g]
Housing Material and Plating	Passivated Stainless Steel

Configuration

Package Type	Connectorized
Input Connector	SMA Female
Input Connector Specification	MIL-STD-348
Output Connectors	SMA Female
Output Connectors Specification	MIL-STD-348

Environmental Specifications

Temperature

Operating Range	-65 to +125 deg C
-----------------	-------------------

Compliance Certifications (see [product page](#) for current document)

Plotted and Other Data

Notes:

2 Way SMA Power Divider From DC to 18 GHz Rated at 1 Watt from Pasternack Enterprises has same day shipment for domestic and International orders. Our RF, microwave and millimeter wave products maintain a 99.4% availability and are part of the broadest selection in the industry.

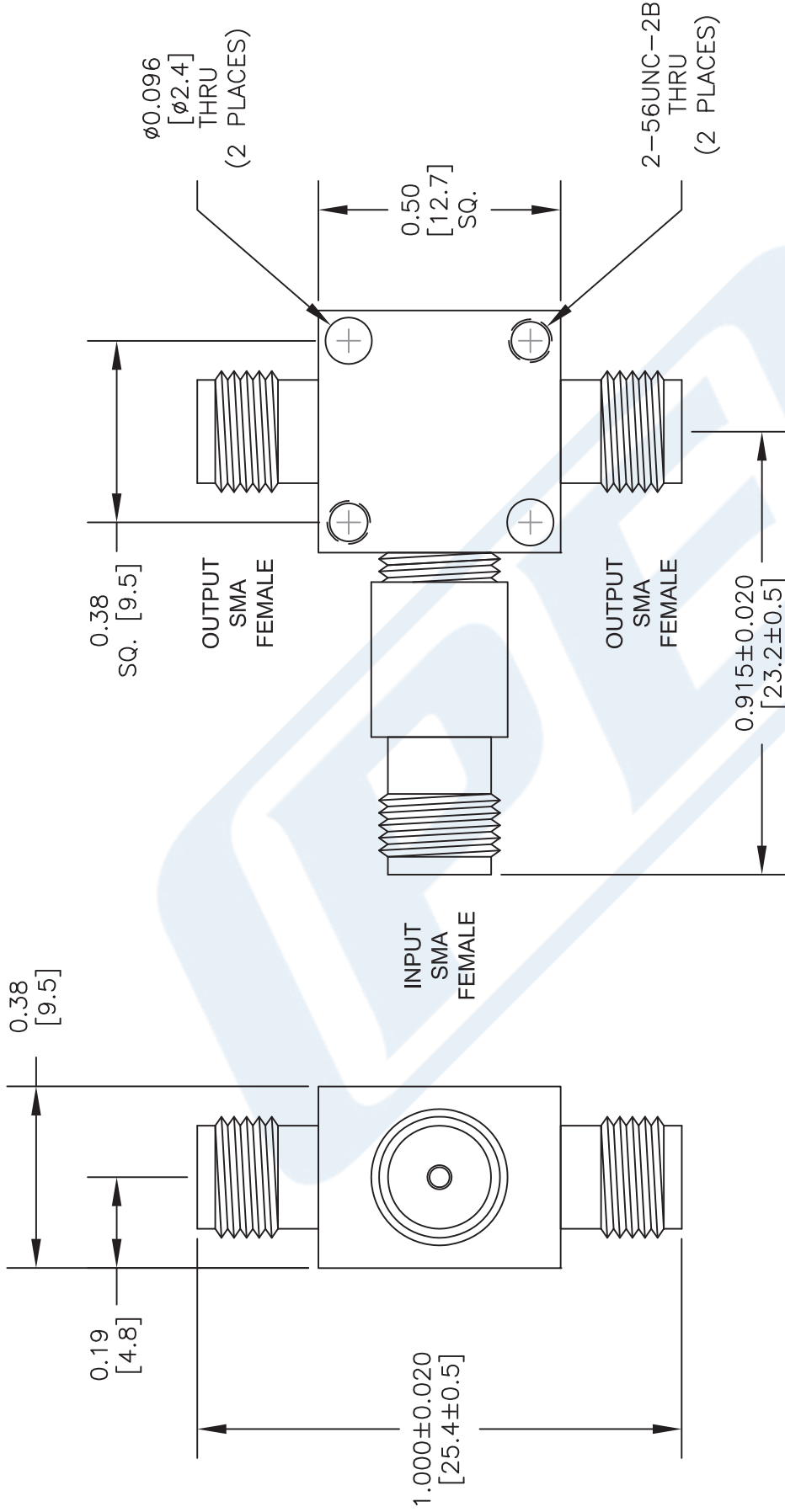
Click the following link (or enter part number in "SEARCH" on website) to obtain additional part information including price, inventory and certifications: [2 Way SMA Power Divider From DC to 18 GHz Rated at 1 Watt PE2084](#)

URL: <https://www.pasternack.com/2-way-sma-power-divider-dc-18-ghz-1-watts-pe2084-p.aspx>

The information contained in this document is accurate to the best of our knowledge and representative of the part described herein. It may be necessary to make modifications to the part and/or the documentation of the part, in order to implement improvements. Pasternack reserves the right to make such changes as required. Unless otherwise stated, all specifications are nominal. Pasternack does not make any representation or warranty regarding the suitability of the part described herein for any particular purpose, and Pasternack does not assume any liability arising out of the use of any part or documentation.

PE2084 CAD Drawing

2 Way SMA Power Divider From DC to 18 GHz Rated at 1 Watt



STANDARD TOLERANCES	
DECIMAL	±0.01
.XX	±0.005
.XXX	±0.005

*STANDARD TOLERANCES APPLY ONLY TO DIMENSIONS IN INCHES

<p>PE PASTERNAK THE ENGINEER'S RF SOURCE Pasternack Enterprises, Inc. P.O. Box 16759 Irvine CA 92623 Phone: (949) 261-1920 Fax: (949) 261-7451 Website: www.pasternack.com E-Mail: sales@pasternack.com</p>		<p>DWG TITLE PE2084</p>	<p>NOTES: 1. UNLESS OTHERWISE SPECIFIED ALL DIMENSIONS ARE NOMINAL. 2. ALL SPECIFICATIONS ARE SUBJECT TO CHANGE WITHOUT NOTICE AT ANY TIME. 3. DIMENSIONS ARE IN INCHES [mm].</p>
<p>CAGE CODE 53919</p>		<p>CAD FILE 060817</p>	<p>SCALE N/A</p>
<p>SIZE A</p>		<p>2233</p>	