

PanZone® TrueEdge Vertical Wall Mount Enclosure

specifications

The wall mount enclosures shall mount active equipment vertically in a low profile, on-wall configuration. The enclosure shall be capable of mounting up to 36" of active equipment depth and have the capability of vertical patching. Equipment brackets shall be adjustable for accommodation of server and/or switch applications. Enclosure shall be engineered to allow proper ventilation for use with various networking equipment including, but not limited to, Power over Ethernet (PoE) Switches and Uninterrupted Power Supplies (UPS). The vertical wall mount enclosure shall have a perforated top and bottom, which can be removed, for optimal air flow, heat dissipation, and equipment access.



technical information

Part Number	Active RU	Passive RU	Height In. (mm)	Width In. (mm)	Depth In. (mm)	Load Capacity lbs.
WME3BL	3 RU	3 RU	42 (1066.8)	28.6 (726.44)	9.5 (241.3)	200
WME6BL	6 RU	6 RU	42 (1066.8)	28.6 (726.44)	14.8 (375.92)	300
WME9BL	9 RU	9 RU	42 (1066.8)	28.6 (726.44)	20 (508)	400

Packaging: Base, door, horizontal passive equipment brackets, e-rail equipment brackets, locking swing handle, edge grommet, Tak-Ty® Hook & Loop Cable Ties, door hinges

Material: 16 gauge galvanized steel

key features and benefits

Low profile	Provides an efficient way to deploy switch and server systems in an open architecture environment
Configurable	Used as a telecommunications room, extension of the telecommunications room, micro data center, or edge deploy
Thermal capacity	Perforated top and bottom optimizes airflow for improved dissipation of heat generated from active equipment
Adjustable equipment rails	Increases usable enclosure depth to 36" of available space within the enclosure for active equipment while maintaining the ability to mount patch panels; provides user preferred installation capabilities and a variety of configurations based on application
Removable and secure top cover and bottom plate	Allows for easy installation and provides secure access to installed equipment.

applications

The PanZone® TrueEdge Vertical Wall Mount Enclosure provides a comprehensive architecture that allows up to 36" of active equipment depth to be mounted in a low-profile application. This low-profile wall mount enclosure houses traditional horizontal equipment vertically on a wall and, in tandem, minimizes network infrastructure investment by providing a solution to eliminate a rack or cabinet (TR in a BOX and Micro Data Center). The structurally engineered design provides space for up to 36" of active equipment depth, has a premium static load rating of up to 400 lbs., and best in class thermal ratings to eliminate equipment failure.

- Scalable – offering a variety of configurations for servers, switches, and edge computing.
- Strong – able to withstand optimum load capacity for deployments of server and switch configurations.
- Configurable – offered in 3 RU active (3 RU passive), 6 RU active (6 RU passive), or 9 RU active (9 RU passive) allowing customization opportunities to fit the needs of the user and deliver storage solutions that make a difference.

Panduit is not just a brand, but a promise to bring quality products that efficiently and effectively support your network infrastructure.

Vertical Wall Mount Enclosure

3 RU enclosure: WME3BL

6 RU enclosure WME6BL

9 RU enclosure WME9BL

Enclosure Accessories

Vertical 1 RU bracket: WME0UB

Active equipment rails

3 RU: WME3ERAIL

6 RU: WME6ERAIL

9 RU: WME9ERAIL

Horizontal 1 RU bracket

3 RU: WME31RU

6 RU: WME61RU

9 RU: WME91RU

Ground kit: WMEGK

Fan kit: PZAEFAN

Euro fan kit: PZAEFK-E

Mini-Com® Patch Panels

24-port modular: CPP24FMWBLY

48-port high density: CPP48HDWBLY

SmartZone® Monitoring Equipment

PDU: P08D09M

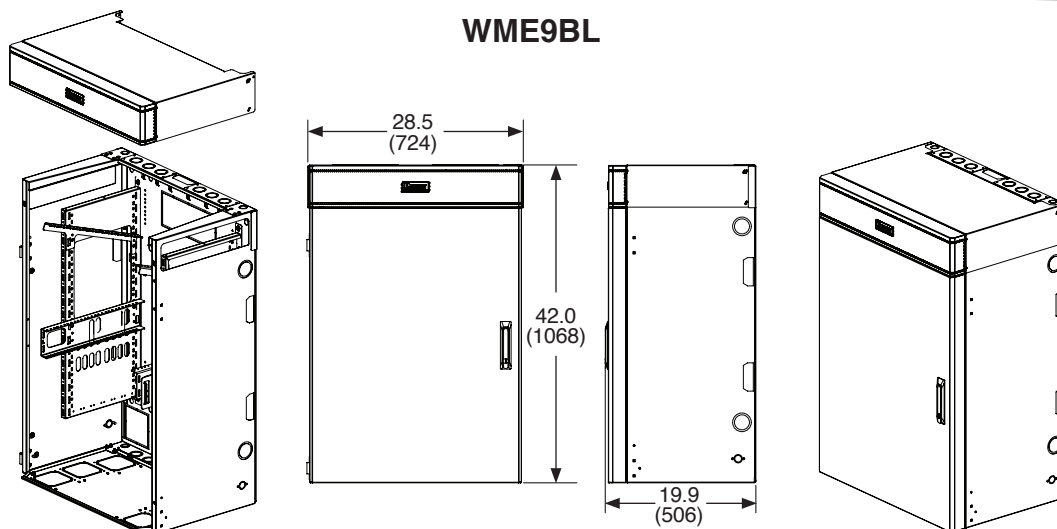
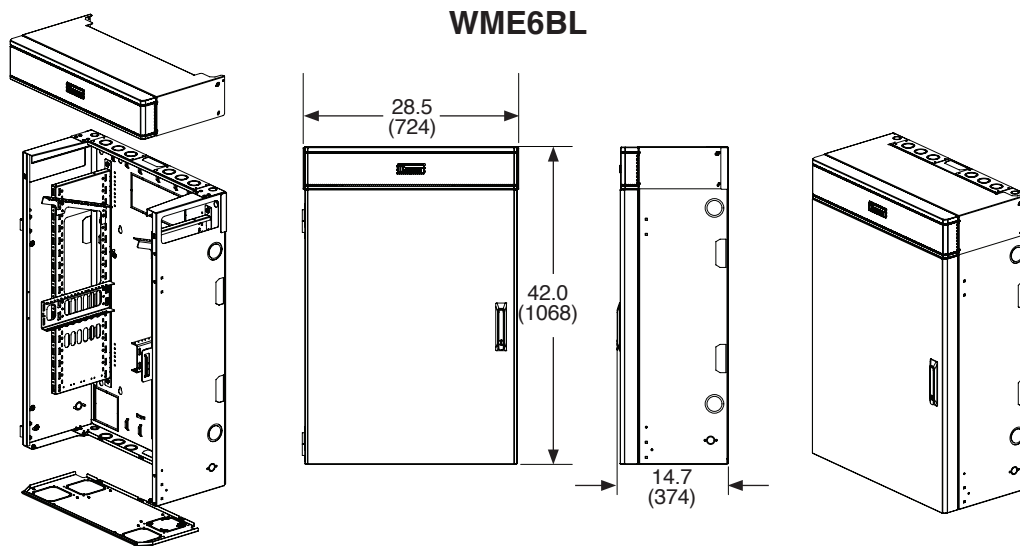
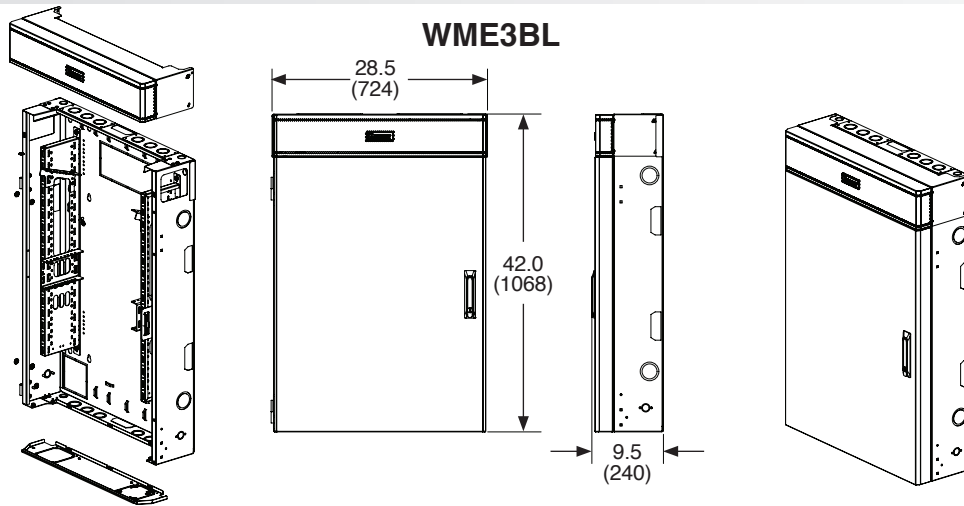
Electric swing handle: ACE02

Electric swing handle access hub: ACB01

Electric swing handle cable harness: ACB03

Temperature Sensor EA001

PanZone® TrueEdge Vertical Wall Mount Enclosure



Dimensions are in inches. [Dimensions in parenthesis are metric]

WORLDWIDE SUBSIDIARIES AND SALES OFFICES

PANDUIT US/CANADA
Phone: 800.777.3300

PANDUIT EUROPE LTD.
London, UK
Phone: 44.20.8601.7200

PANDUIT SINGAPORE PTE. LTD.
Republic of Singapore
Phone: 65.6305.7575

PANDUIT JAPAN
Tokyo, Japan
Phone: 81.3.6863.6000

PANDUIT LATIN AMERICA
Guadalajara, Mexico
Phone: 52.33.3777.6000

PANDUIT AUSTRALIA PTY. LTD.
Victoria, Australia
Phone: 61.3.9794.9020

For a copy of Panduit product warranties, log on to www.panduit.com/warranty

For more information

Visit us at www.panduit.com

Contact Customer Service by email: cs@panduit.com
or by phone: 800.777.3300

PANDUIT®

© 2020 Panduit Corp.
ALL RIGHTS RESERVED.
ZCSP42--WW-ENG
6/2020