

# PanZone® In-Ceiling Enclosures with Gas-Assist Door Air Cylinders

# PANDUIT®

SPECIFICATION SHEET

## specifications

The active in-ceiling enclosure shall allow network equipment to be conveniently located in the air handling space above a drop ceiling. The active in-ceiling enclosure shall be designed to accommodate equipment enabling a Fiber to the Zone (FTTZ) network infrastructure topology. The thermal management system within the enclosure shall support high heat load applications including PoE enabled network switches and uninterruptible power supplies. The enclosure shall include a two tiered TIA/EIA 19" mounting bracket with integrated horizontal slack manager to provide an all-in-one cable management solution for performing front accessible moves, adds, and changes. The in-ceiling enclosure shall be designed to also accommodate passive network equipment including 110 punchdown or TIA/EIA 19" patch panel solutions.



## technical information

<b>Dimensions:</b>	PZICEA and PZICE: 23.50"H x 23.50"W x 13.43"D (596.9mm x 596.9mm x 341.1mm)
<b>Weight capacity:</b>	Door load rating is 50 lbs.
<b>Agency ratings:</b>	UL 2043 plenum rated and UL 1863 rated
<b>Packaging:</b>	PZICE: Includes enclosure, two-tier TIA/EIA 19" mounting bracket, horizontal slack manager, four modular cable entry/exit plates, six grommets, two Tak-Ty® rolls, ceiling tile cutout template, and installation instructions PZICEA: Includes all PZICE components plus an electrical junction box, cooling fan, air dam, and air deflector

## key features and benefits

<b>Accommodates 2 RU of active equipment and up to 6 RU of patch panels (PZICEA) or up to 8 RU of patch panels (PZICE)</b>	Minimizes floor space required in telecommunications room to relieve congestion
<b>Thermal management system (PZICEA)</b>	Optimizes airflow for improved heat dissipation of higher heat load network equipment
<b>Two-tier mounting bracket</b>	Accommodates two rack spaces of active equipment up to 17.5" deep and three additional rack spaces up to 13.5" deep for improved network design flexibility
<b>Integrated horizontal slack manager</b>	Eliminates need for additional cable managers for greater ease of installation, improved cable routing, and ability to make front accessible moves, adds, and changes
<b>Lockable enclosure</b>	Protects against physical damage, vandalism, tampering or theft for reduced cost of ownership
<b>Hinged door with gas-assist air cylinders</b>	Offers easier opening of enclosure and improved safety
<b>Configurable mounting plate</b>	Accommodates 110 punchdown blocks or 19" standard patch panels for increased design flexibility
<b>Grounding and bonding kit (see pg. 2)</b>	Meets TIA/EIA specifications to minimize risk of electrical shock

## applications

The PanZone® In-Ceiling Enclosures are used as mini-telecommunication rooms to mount network equipment in the air handling space above a drop ceiling.

The PanZone® Active In-Ceiling Enclosure is designed to accommodate active equipment enabling a Fiber to the Zone (FTTZ) network infrastructure topology. The thermal management design within the enclosure delivers greater heat dissipation to support high heat load applications including PoE enabled network switches and uninterrupted power supplies.

In addition, the enclosure has a verified working load rating of 50 pounds to support more network equipment and more cable entry/exit points for a greater number of cables.

The PanZone® Active In-Ceiling Enclosure is a key component of the Panduit connected buildings solution that enables information technology and building systems to converge for improved security, productivity and cost-effectiveness.

The PanZone® In-Ceiling Enclosure is designed to accommodate passive network equipment including high-density applications.

### PanZone® In-Ceiling Enclosure

**Active enclosure:** PZICEA

**Passive enclosure:** PZICE^

### PanZone® In-Ceiling Enclosure Fan Conversion Kit

**220 VAC/50 Hz fan with Shuko plug – includes air dam:** PZICFK-E

**Fan filter replacement kit – includes Two sets of 5:** PZICFRK

### PanZone® In-Ceiling Enclosure Accessories

**Grounding and bonding kit:** PZICGK

### PanZone® Solid UTP Patch Cords\*\*

**Cat 6A SD, plenum plug-plug, blue:** UXPPBU\*

**Cat 6, plenum plug-plug, blue:** UPPBU\*

### PanZone® Solid STP Patch Cords\*\*

**Cat 6A, plenum plug-plug, blue:** SAPPBU\*

### QuickNet™ Patch Panels

**24-port:** QPP24BL

**48-port:** QPP48BL

### MiniCom® Modular Patch Panels

**24-port, 1 RU:** CPPL24WBLY

**48-port, 2 RU:** CPPL48WBLY

**48-port, 1 RU:** CPP48HDWBLY

**72-port, 2 RU:** CPP72FMWBLY

### Strain Relief Bars

**Extended strain relief bar:** SRB19BLY

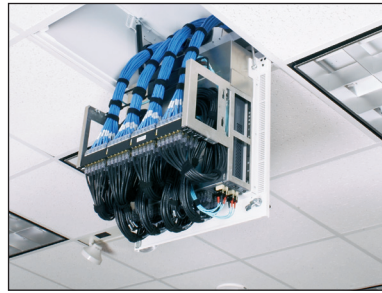
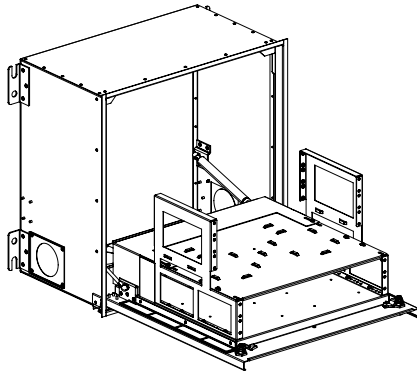
**Straight strain relief bar (10 pack):** SRBS19BL-XY

^The Passive Enclosure, PZICE, can be converted to a 220V active enclosure with a Schuko style plug for use in Europe with the installation of optional Fan Kit, PZICFK-E.

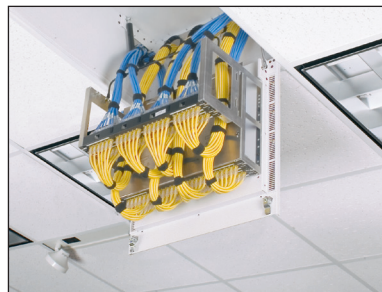
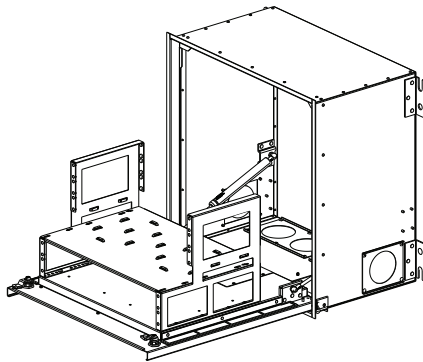
\* Zone cords are available in 10 to 100 ft lengths in 5 ft increments. And 100 to 150 ft lengths in 10 ft increments.  
\*\* Plug to Plug versions are listed. Jack to Plug and Jack to Jack options are also available.

# PanZone® In-Ceiling Enclosures with Gas-Assist Door Air Cylinders

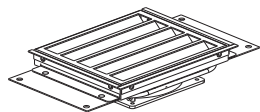
## PanZone® Active In-Ceiling Enclosure – PZICEA



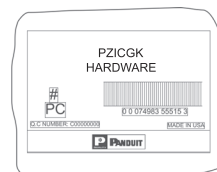
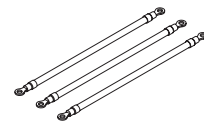
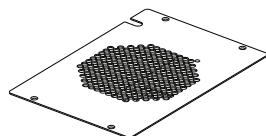
## PanZone® Passive In-Ceiling Enclosure – PZICE



## PanZone® In-Ceiling Enclosure Accessories



220 VAC / 50Hz fan  
with Shuko plug and air dam  
PZICFK-E



PZICGK

### WORLDWIDE SUBSIDIARIES AND SALES OFFICES

PANDUIT CANADA  
Markham, Ontario  
cs-cdn@panduit.com  
Phone: 800.777.3300

PANDUIT EUROPE LTD.  
London, UK  
cs-emea@panduit.com  
Phone: 44.20.8601.7200

PANDUIT SINGAPORE PTE. LTD.  
Republic of Singapore  
cs-ap@panduit.com  
Phone: 65.6305.7575

PANDUIT JAPAN  
Tokyo, Japan  
cs-japan@panduit.com  
Phone: 81.3.6863.6000

PANDUIT LATIN AMERICA  
Guadalajara, Mexico  
cs-la@panduit.com  
Phone: 52.33.3777.6000

PANDUIT AUSTRALIA PTY. LTD.  
Victoria, Australia  
cs-aus@panduit.com  
Phone: 61.3.9794.9020

For a copy of Panduit product warranties, log on to [www.panduit.com/warranty](http://www.panduit.com/warranty)

For more information

Visit us at [www.panduit.com](http://www.panduit.com)

Contact Customer Service by email: [cs@panduit.com](mailto:cs@panduit.com)  
or by phone: 800.777.3300

# PANDUIT®

©2015 Panduit Corp.  
ALL RIGHTS RESERVED.  
ZCCB02--WW-ENG  
Replaces WW-ZCSP10  
4/2015