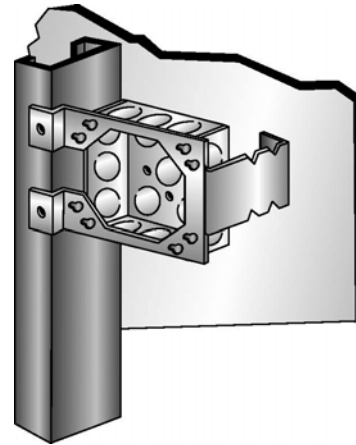
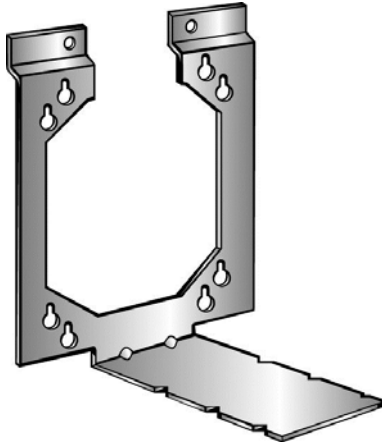


Part Number: PH4

Product Description: ELECTRICAL BOX MOUNTING SUPPORT BRACKET FOR 2-1/2", 3-1/2", AND 4" STUDS



## Material Specifications

Type: Pre-Galvanized Steel

Finish: Pre-Galvanized

Color: Silver

## Function Specifications

### Compatible Wires and Cables

AC/MC CABLE (OD):  
Drop Wire:  
Plain Rod (in):

### Threaded Rods and Bolts

Tapped Holes:  
Clearance Holes (in):  
Threaded Rod Size (in):

### Compatible Conduit

EMT Size (in):  
Rigid/IMC (in):

### Compatible Flanges and Studs

Flange Size (in):  
Metal Stud Size (ins): 2-1/2, 3-1/2, 4

### Static Load Rating

Vertical (lbs):  
Horizontal (lbs):

### Other

Suitable for 4" and 4-11/16" electrical boxes

## Codes and Regulatory

Regulatory Certifications: -

Country of Origin: US

## Packaging

General Packaging: Cardboard Box  
Box Size: 11 X 7.5 X 7.25

Pieces per Package: 100  
Other Box Features:

## Document Information

Created By: DBLA  
Checked By: DJW  
Approved By: KLN

Customer Specification #: C11218  
Revision Level: 01  
ECN #: GAECN01482  
Date: 12/10/2013