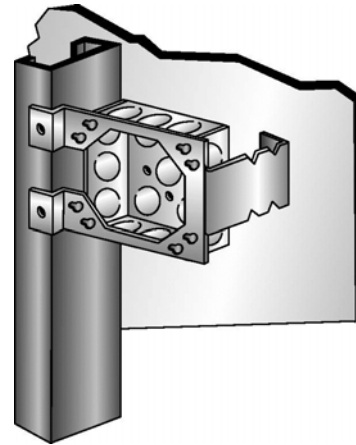
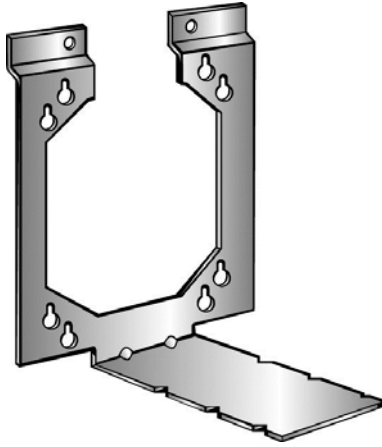


Part Number: PH23

Product Description: ELECTRICAL BOX MOUNTING SUPPORT BRACKET FOR 2-1/2" AND 3-1/2" STUDS



Material Specifications

Type: Pre-Galvanized Steel

Finish: Pre-Galvanized

Color: Silver

Function Specifications

Compatible Wires and Cables

AC/MC CABLE (OD):
Drop Wire:
Plain Rod (in):

Threaded Rods and Bolts

Tapped Holes:
Clearance Holes (in):
Threaded Rod Size (in):

Compatible Conduit

EMT Size (in):
Rigid/IMC (in):

Compatible Flanges and Studs

Flange Size (in):
Metal Stud Size (ins): 2-1/2 to 3-1/2

Static Load Rating

Vertical (lbs):
Horizontal (lbs):

Other

Suitable for 4" and 4-11/16" electrical boxes

Codes and Regulatory

Regulatory Certifications: -

Country of Origin: US

Packaging

General Packaging: Cardboard Box
Box Size: 11 X 7.5 X 7.25

Pieces per Package: 100
Other Box Features:

Document Information

Created By: DBLA
Checked By: DJW
Approved By: KLN

Customer Specification #: C11217
Revision Level: 01
ECN #: GAECN01482
Date: 12/10/2013