

IndustrialNet™ M12 D-Code Field Terminable Plug

specifications

Industrial M12 D-Code Field Terminable Plug shall be applicable for use in manufacturing as well as other industrial environments and shall meet or exceed the requirements of the ANSI/TIA-568-C.2 Category 5e, ISO 11801 Class D, and ODVA Ethernet/IP[^] and PROFINET standards. The M12 D-Code plug shall be constructed of a zinc die cast housing with 360° shielding. The plug shall incorporate an ingress protection rating of IP65/IP67 and offer an extended temperature range as required for more demanding applications. The plug shall be easily field attachable without any special tools and shall be capable of termination to a 2-pair stranded or solid twisted pair copper cable. The plug shall be capable of up to 10 re-terminations with the same gauge cable.



technical information

Electrical/mechanical performance:	Exceeds channel and component requirements of ANSI/TIA-568-C.2 Category 5e and ISO 11801 Class D standards at swept frequencies up to 100MHz and meets ODVA Ethernet/IP [^] and PROFINET electrical and mechanical performance requirements
IEC compliance:	Meets IEC 61076-2-101, IEC 60532-4, and IEC 60529
IP compliance:	Rated IP65 / IP67
UL compliance:	UL 1977 recognized
RoHS compliancy status:	Compliant
PoE compliance:	Meets IEEE 802.3af and IEEE 802.3at for PoE applications
Temperature rating:	-25°C to 85°C (-13°F to 185°F) operating and storage
Wiring scheme:	4-position
Conductor termination range:	Stranded AWG 26/7-22/7 Solid AWG 26/1-22/1
Insulation termination range:	1.1 – 2.1mm (0.043 – 0.079 inch)
Cable jacket diameter range:	4.5 – 8.8mm (0.177 – 0.346 inch)
Packaging:	1 unit per polyethylene bag, 25 units per carton

key features and benefits

Robust construction	Zinc die cast housing with 360° shielding for secure data transmission in high noise (EMI/RFI) environments; provides an ingress protection rating of IP65/IP67 for use in harsh environments
Field attachable	Can be terminated in seconds without any special tools and is re-terminable up to 10 times with the same gauge cable
Extended temperature range	-25°C to 85°C (-13°F to 185°F)

applications

IndustrialNet™ M12 D-Code Field Terminable Plug provides an ideal solution to support Industrial Ethernet from the Local Area Network (LAN) based support offices to the processing devices on the plant floor. A key component to the overall industrial Ethernet (10/100 Mbps) application, the plug is the interface that protects the integrity of the Ethernet data transfer from the switch or PLC out to the devices or up to the horizontal plant backbone. Constructed of a robust die cast

housing and fully shielded, the plug is ideal for use in high noise (EMI/RFI) environments. The plug meets the ingress protection rating of IP65/IP67 for use where wash downs are common/required in the food and beverage industry. The plug is easily field attachable for on-site termination and also offers an extended temperature range -25°C to 85°C (-13°F to 185°F) for use in more demanding applications such as manufacturing facilities where temperature extremes are the norm.

IndustrialNet™ M12 D-Code Field Terminable Plug

Field terminable plug: ISPS5E44MFA

IndustrialNet™ Category 5e SF/UTP Copper Cable

CM 2-pair: ISFCH5C02A*-XG
Flame retardant, halogen-free 2-pair/ color Teal: ISFX5502ATL-LED
2-pair/ color Red: ISFX5502ARD-LED

IndustrialNet™ Category 6/5e RJ45 Field Terminable Plug

Field terminable plug: ISPS688FA

IndustrialNet™ Category 5e Shielded 600 V-Rated Patch Cords

CM/CMX: **ISTPHCH1MTL

IndustrialNet™ M12 D-Code to RJ45 Panel Mount Adapter

Panel mount adapter: ICAM12DRJS

Mini-Com® Modular Patch Panel

8-port: CDPP8RG

DIN Rail Adapter

1-port: CADIN1IW***

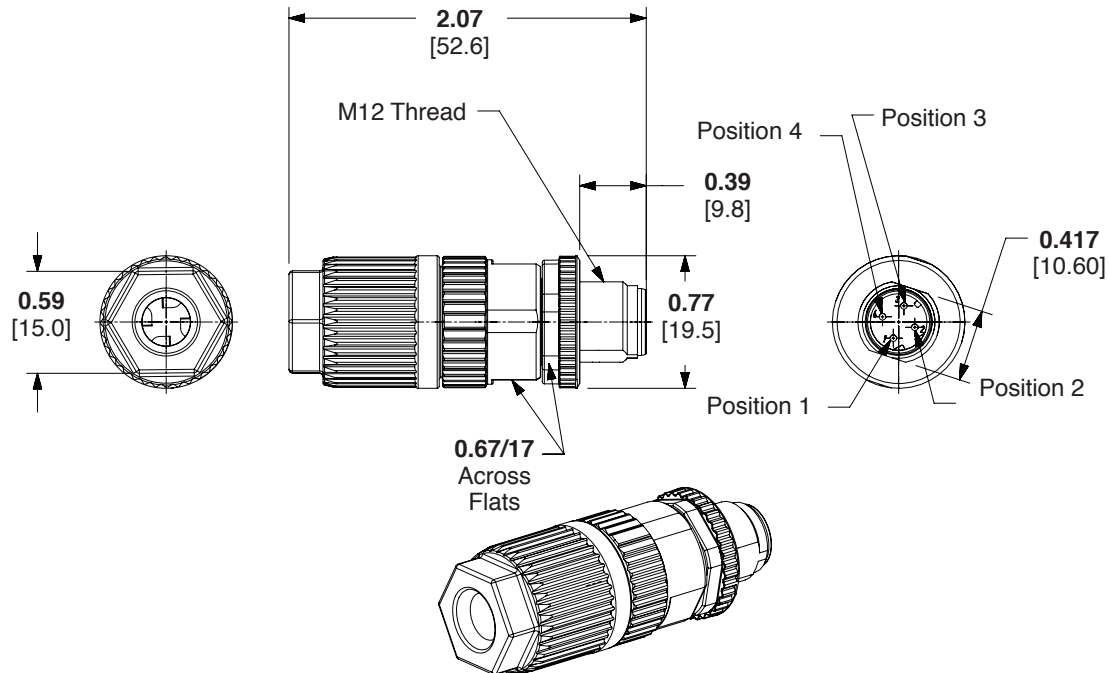
*To designate color, add suffix TL (Teal), BL (Black), RD (Red), BU (Blue), GY (Gray), or YL (Yellow).

**For other lengths, change the length designation (1M) of the part number to the desired length (0.3M, 0.6M, 2M, 3M, 5M, or 10M); to designate color, replace TL (Teal) suffix with BL (Black), RD (Red), or YL (Yellow). For example, the part number of a 2-meter teal patch cord is ISTPHCH2MTL.

***For standard colors other than Off White, replace IW in part number with BL (Black), EI (Electric Ivory), IG (International Gray), or WH (White).

[^]EtherNet/IP is a trademark of ODVA.

IndustrialNet™ M12 D-Code Field Terminable Plug



Dimensions are in inches. [Dimensions in brackets are metric].

WORLDWIDE SUBSIDIARIES AND SALES OFFICES

PANDUIT US/CANADA
Phone: 800.777.3300

PANDUIT EUROPE LTD.
London, UK
Phone: 44.20.8601.7200

PANDUIT SINGAPORE PTE. LTD.
Republic of Singapore
Phone: 65.6305.7575

PANDUIT JAPAN
Tokyo, Japan
Phone: 81.3.6863.6000

PANDUIT LATIN AMERICA
Guadalajara, Mexico
Phone: 52.33.3777.6000

PANDUIT AUSTRALIA PTY. LTD.
Victoria, Australia
Phone: 61.3.9794.9020

For a copy of Panduit product warranties, log on to www.panduit.com/warranty

For more information

Visit us at www.panduit.com

iai@panduit.com

PANDUIT®

©2018 Panduit Corp.
ALL RIGHTS RESERVED.
COSP338--WW-ENG
5/2018