

Opticom® Wall Mount Enclosures

specifications

Wall mount enclosures shall be constructed of steel material. Enclosures shall provide cable bend radius protection. Enclosures offer optional discrete locking capability between service and user segments.



technical information

Dimensions:	FWME2: WxHxD=12x10.18x2.32in. (304.8x258.6x59.1mm) FWME4: WxHxD=16.11x12.25x3.52in. (409.2x311.0x89.4mm) FWME8: WxHxD=16.11x20.25x3.52in. (409.2x514.2x89.4mm)
Splicing tray and holder capacity:	FWME2: Holds (1) FSTHS which accommodates up to 2 FSTKs FWME4: Holds (1) FST6H4 which accommodates up to 4 FST6s FWME8: Holds (2) FST6H4s which accommodates up to 4 FST6s each
Packaging:	Includes accessory kit and labels

key features and ...benefits

Improved strain relief clip	Easier to install and align fiber with grommet
Spooling area	Manages and organizes fiber slack
Rubber grommet	Offers dust/debris protection and helps secure cable to enclosure
Improved latch	Provides improved closure
Optional keyed lock	Provides added security
Works with most Mini-Com®, Opti-Jack® ST, SC, Coax, and Fiber Cassette modules	Offers flexibility for a variety of applications
Flush mounted latch	Minimizes box depth from wall
Optional splicing tray and holder	Allows splicing within patching enclosures

applications

Opticom® Wall Mount Enclosures are designed to manage and organize fiber distribution in areas where space is limited. They can also be used to manage cable from outside the facility. Enclosures can be used as an interconnect or cross-connect in any telecommunications room and can use any standard FAP or FMP series adapter panel. Opticom® Enclosures are completely modular and can manage both fiber and copper cables.

Opticom™ Wall Mount Enclosures

12/24 fiber (2 FAPs):	FWME2
24/48 fiber (4 FAPs):	FWME4
48/96 fiber (8 FAPs):	FWME8

Adapter Panels

Blank panel:	FAPB
---------------------	------

LC Adapter Panels

6 duplex LC:	FAP6WAQDLC
12 duplex LC:	FAP12WAQDLC

SC Adapter Panels

3 duplex SC:	FAP3WBUDSC
6 duplex SC:	FAP6WBUDSC

Splice Tray

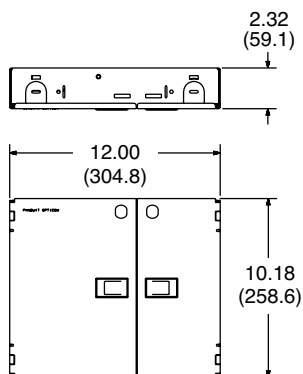
FWME4, FWME8	
Splice tray:	FST6
Holder:	FST6H4
FWME2	
Splice tray:	FSTK
Holder:	FSTHS

Door Locks

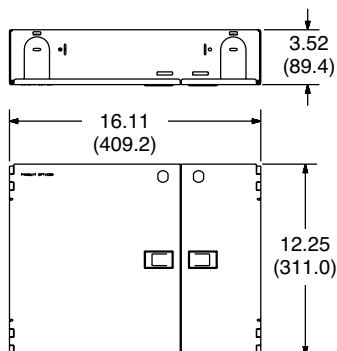
User side:	FELU
Service side:	FELS

Opticom® Wall Mount Enclosures

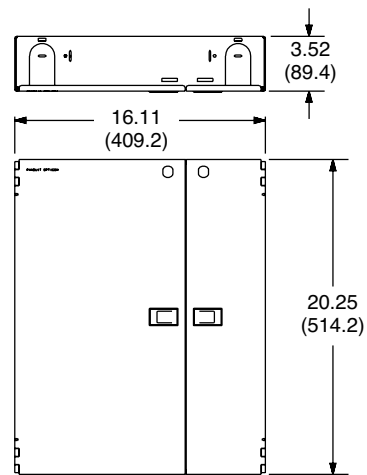
Wall Mount Enclosures



FWME2

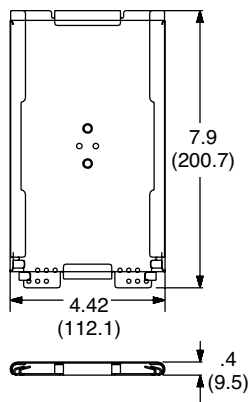


FWME4

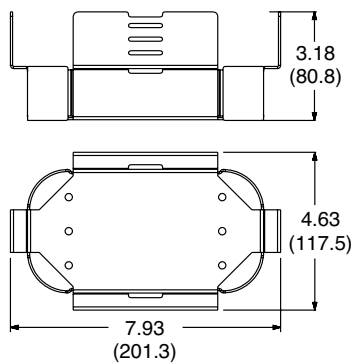


FWME8

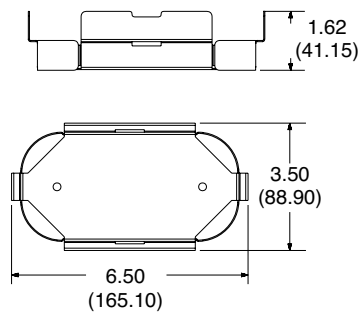
Splice Trays



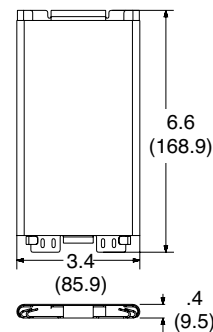
FST6



FST6H4



FSTHS



FSTK

Dimensions are in inches. (Dimensions in parentheses are in millimeters)

WORLDWIDE SUBSIDIARIES AND SALES OFFICES

PANDUIT CANADA
Markham, Ontario
cs-cdn@panduit.com
Phone: 800.777.3300

PANDUIT EUROPE LTD.
London, UK
cs-emea@panduit.com
Phone: 44.20.8601.7200

PANDUIT SINGAPORE PTE. LTD.
Republic of Singapore
cs-ap@panduit.com
Phone: 65.6305.7575

PANDUIT JAPAN
Tokyo, Japan
cs-japan@panduit.com
Phone: 81.3.6863.6000

PANDUIT LATIN AMERICA
Guadalajara, Mexico
cs-la@panduit.com
Phone: 52.33.3777.6000

PANDUIT AUSTRALIA PTY. LTD.
Victoria, Australia
cs-aus@panduit.com
Phone: 61.3.9794.9020

For a copy of Panduit product warranties, log on to www.panduit.com/warranty

For more information

Visit us at www.panduit.com

Contact Customer Service by email: cs@panduit.com
or by phone: 800.777.3300

PANDUIT®

©2016 Panduit Corp.
ALL RIGHTS RESERVED.
Printed in the U.S.A.
FBSP108--WW-ENG
2016-09-22