

Semi-Automatic Ferrule Installation Tool – CP-881

PANDUIT®

SPECIFICATION SHEET

specifications

The Panduit semi-automatic ferrule installation tool (CP-881) shall be designed to strip wire insulation to an exact length, place a DIN 46228 part 4 ferrule from a continuous reel onto the stripped end of the #20 – 14 AWG (0.5mm² – 2.5mm²) wire, and crimp the ferrule into position. The Panduit semi-automatic ferrule installation tool (CP-881) shall be used to increase worker productivity by 600%. The CP-881 shall be used in large volume installations of ferrules for wire harness manufacturing or control panel wiring. The CP-881 shall install ferrules to meet industry performance and dimensional requirements, such as IEC 60999-1 and IPC/WHMA-A-620.



technical information

Power supply:	110/120 VAC 60 Hz
Weight:	26.5 lbs (12 kg)
Dimensions:	12.60" x 11.00" x 6.50" (320.0mm x 279.4mm x 165.1mm)
Ferrule product:	Continuously molded ferrules meet **UL486F, CSA-C22.2 No.291-14, and DIN 46228 Standards **1/0-20 AWG
Crimp shape:	Trapezoidal
Wire range:	#20 – 14 AWG (0.5 – 2.5 mm ²)
Process cycle time:	1.5 seconds

key features and benefits

Automated micro-processor	Delivers quick three-step process (wire stripping, ferrule placement, and ferrule crimping) to reduce the average manual processing cycle time from 8 – 10 seconds to 1.5 seconds
Continuously molded ferrules on mini-reels of 500 to 1,000 pieces:	Designed for use with the CP-881 to deliver reduced production changeover and downtime due to fewer reel changes for improved productivity
Integral wire stripping:	Eliminates the need to use pre-stripped wire; this prevents the installation of ferrules onto any turned-back strands which can result when using pre-stripped wire
Quick setup and changeover:	Provides product changeover in less than 10 seconds to improve productivity and reduce setup time
DIN color coded die inserts:	Allows proper DIN part selection and quick identification of matching crimping dies to speed installation
Cycle counter:	Digital LCD display system with reset button for batch quantity counting improves accuracy and efficiency
Lightweight with built-in carrying handle:	Allows easy movement of tool from workstation to workstation for maximum job site flexibility and productivity

applications

The Panduit semi-automatic ferrule installation tool (CP-881) provides a reliable wire processing solution for wire harness and control panel manufacturing in which high volumes of #20 – 14 AWG ferrules are installed. Ferrules are increasingly being specified in control panels and industrial machines. Lightweight and easy to carry from one workstation to another,

the CP-881 provides a high quality termination solution with job site flexibility, contributing to the overall product reliability and productivity. This innovative solution, along with our full line of wiring and communication products, allows Panduit to offer its customers the ideal automated terminating, bundling and mounting solution for their applications.

Semi-Automatic Ferrule Installation Tool

Applicator and set of die inserts: CP-881

Related Products

Ferrules on 500 to 1,000 Piece Mini-Reels

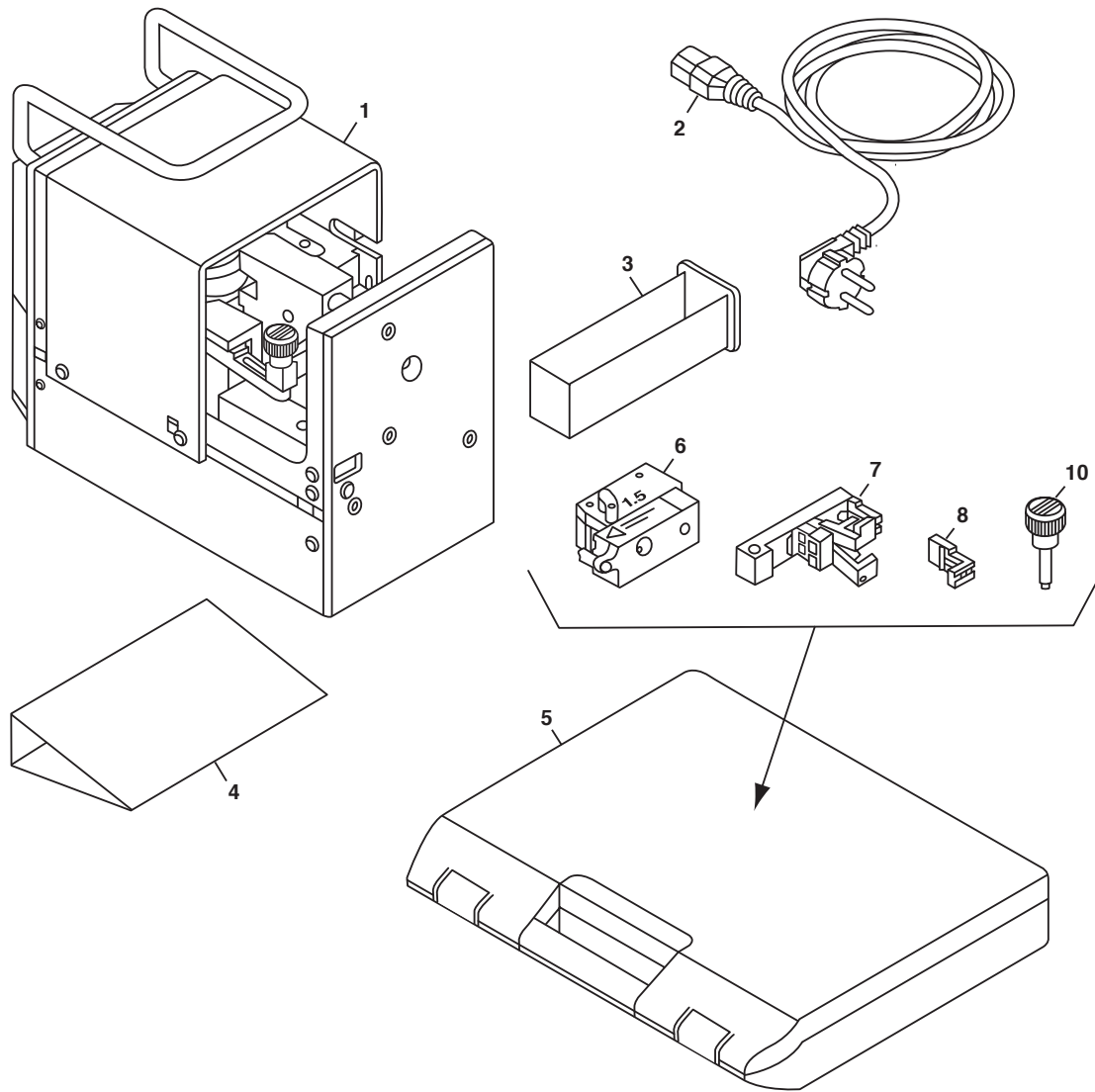
Wire Size AWG (mm ²)	Part Number	DIN Color
20 (0.5)	FSD75-8-K	White
18 (0.75)	FSD76-8-K	Gray
(1.0)	FSD77-8-K	Red
16 (1.5)	FSD78-8-K	Black
14 (2.5)	FSD80-8-DK	Blue

Ferrules on 1,500 to 3,000 Piece Bulk Reels

Wire Size AWG (mm ²)	Part Number	DIN Color
20 (0.5)	FSD75-8-3K10	White
18 (0.75)	FSD76-8-3K8	Gray
(1.0)	FSD77-8-3K2	Red
16 (1.5)	FSD78-8-2KD0	Black
14 (2.5)	FSD80-8-KD6	Blue

Ferrules on 1,500 to 3,000 piece bulk reels will require reel carrier equipment.

Semi-Automatic Ferrule Installation Tool – CP-881



Semi-Automatic Ferrule Installation Tool (CP-881) Contents			
1. Semi-Automatic Ferrule Installation Tool	1 piece	6. Ferrule Feeder #20 – 14 AWG (0.5 – 2.5mm ²)	5 pieces
2. Main Cable	1 piece	7. Tool Die Insert for #20 – 14 AWG (0.5 – 2.5mm ²)	5 pieces
3. Wire Insulation Scrap Container	1 piece	8. Locator (spare)	5 pieces
4. Operation Manual (English)	1 piece	9. Wire Guiding Tube (spare) <not shown>	5 pieces
5. Accessory Box	1 piece	10. Bolt, 6mm in diameter	1 piece

Note: Parts 6, 7, and 8 are color-coded to match DIN ferrule selection, for quick identification.

WORLDWIDE SUBSIDIARIES AND SALES OFFICES

PANDUIT CANADA
Markham, Ontario
cs-cdn@panduit.com
Phone: 800.777.3300

PANDUIT EUROPE LTD.
London, UK
cs-emea@panduit.com
Phone: 44.20.8601.7200

PANDUIT SINGAPORE PTE. LTD.
Republic of Singapore
cs-ap@panduit.com
Phone: 65.6305.7575

PANDUIT JAPAN
Tokyo, Japan
cs-japan@panduit.com
Phone: 81.3.6863.6000

PANDUIT LATIN AMERICA
Guadalajara, Mexico
cs-la@panduit.com
Phone: 52.33.3777.6000

PANDUIT AUSTRALIA PTY. LTD.
Victoria, Australia
cs-aus@panduit.com
Phone: 61.3.9794.9020

For a copy of Panduit product warranties, log on to www.panduit.com/warranty

For more information

Visit us at www.panduit.com

Contact Customer Service by email: cs@panduit.com
or by phone: 800.777.3300

PANDUIT[®]

© 2015 Panduit Corp.
ALL RIGHTS RESERVED.
TMSP04--SA-ENG
Replaces TMSP04--WW-ENG
11/2015