

IndustrialNet™ 8-Port DIN Rail Mount Copper Patching Solution

specifications

8-port DIN rail mount copper patch panel shall be made of high impact polycarbonate material and shall mount to a standard 35mm DIN rail. Product shall have a removable faceplate that includes four label pockets, labels and covers for port identification. The product shall include adjustable latches to lock it in place when mounted on the DIN rail. Latch design shall also allow product to mount on a flat surface for vertical bulkhead mounting. 8-port DIN rail mount patch panel shall accept any Mini-Com® Module that occupies a single space. The panel shall be suitable for use in shielded or unshielded applications.



technical information

Standards:	Normal International Standard CEI IEC 60715; DIN EN 60715; DIN EN 50022; DIN 46277-3; BS 5584:1978; IEC 60068 Environmental Testing; cULus Listed to UL1863
Material:	UL94V-0, Impact-resistant polycarbonate
RoHS compliance:	Compliant
Mounting options:	Mounts to a standard 35mm DIN rail; can also mount to other surfaces using mounting holes in latches
Packaging:	Copper patch panel includes 6-32" x 3/8" Phillips head screws to mount faceplate to patch panel and 4 labels and label covers.
Temperature:	Temperature range of -10°C to 60°C (14°F – 140°F) complies to UL 508 A Control Panel standard and operating range of the ethernet switches
Shielded applications:	For use in unshielded applications, use DIN panel CDPP8RG. For use in shielded applications, use DIN panel CDPP8RG-S.

key features and benefits

DIN rail mount	Employs dual purpose, snap-in mounting latches which have an audible click to indicate the latch is in the correct position. The latches serve to hold the unit on the DIN rail while allowing it to slide side to side. Latches also serve as wall mounting brackets via an external mounting hole in the latch.
Modular	Accepts up to eight single Mini-Com® Copper and A/V Modules.
Patching	Easy and logical port mapping to common Ethernet mini-switch ports enables convenient MACs (Moves, Adds and Changes) in industrial telecommunications zone enclosure or control panel applications. IndustrialNet™ 8-port DIN Rail Mount Patching Solutions provides a testable permanent link for link commissioning and troubleshooting, and provides flexibility and scalability for future growth.
Identification	DIN rail mount patching solutions include label pockets, labels, and transparent label covers for clear identification; complies with ANSI/EIA/TIA-606-B labeling requirements.

applications

IndustrialNet™ 8-port DIN Rail Mount Patching Solutions conserve precious real estate by consolidating all patching onto the DIN rails of a zone enclosure or control panel, and are designed to “port map” to Industrial Ethernet modular mini-switches. These products can be deployed as flexible, reconfigurable and high performance structured cabling elements in traditional hierarchical star, fiber to the enclosure (zone) or device level ring Industrial Ethernet architectures.

These structured cabling solutions are important as Ethernet reaches further into the industrial automation network, enabling traditional IT departments to manage change in the industrial network through the use of familiar patching facilities and structured cabling models. The use of Panduit IndustrialNet™ Modular Patching allows customers to easily deploy copper connectivity in the same modular DIN footprint in such applications.

8-port DIN rail mount copper patch panel

8-port DIN panel: CDPP8RG

8-port shielded DIN panel: CDPP8RG-S

Mini-Com® Copper Jack Modules

Category 6A, unshielded: CJ6X88TG**

Category 6A, shielded: CJS6X88TGY

Category 6, unshielded: CJ688TG**

Category 6, shielded: CJS688TGY

Category 5e, unshielded: CJ5E88TG**

Category 5e, shielded: CJS5E88TGY

Mini-Com® Blank Modules

Blank modules: CMBIG-X

IndustrialNet™ Network Zone System

Pre-configured large (3-DIN rail) zone enclosure: Z23C-S

Pre-configured medium (2-DIN rail) zone enclosure: Z22C-S

**IW (Off White), WH (White), AW (Arctic White), EI (Electric Ivory), BL (Black), BU (Blue), RD (Red), YL (Yellow), GR (Green), IG (International Gray), OR (Orange), VL (Violet). See www.panduit.com for the complete selection. For complete copper patch cord offering, visit www.panduit.com.

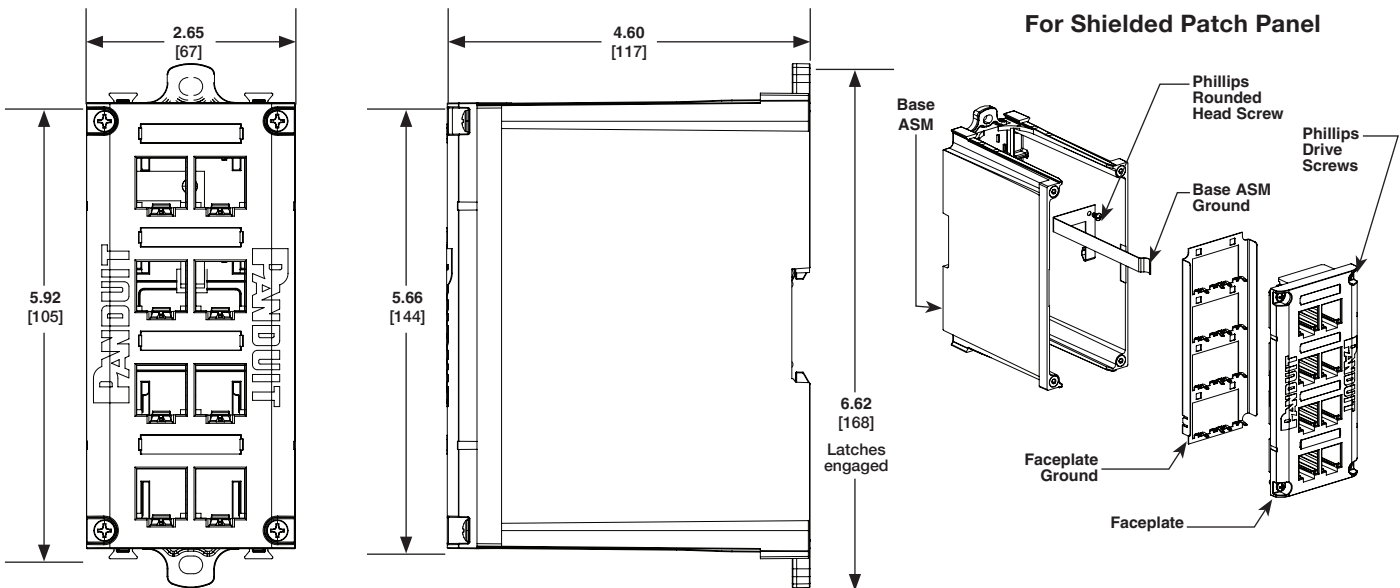
IndustrialNet™ 8-Port DIN Rail Mount Copper Patching Solution

Typical Configurations for 8-Port DIN Rail Copper Patch Panel

CDPP8RG (8-port DIN Rail Copper Patch Panel)	CMBIG-X (Blank Adapter Module)	Copper Jack Modules P/Ns	Qty.
1	4	CJ688TG**, CJS688TGY, – Category 6 copper jack module	4
1	4	CJ5E88TG**, CJS5E88TGY, – Category 5e copper jack module	4
1	0	CJ688TG**, CJS688TGY – Category 6 copper jack module	8
1	0	CJ5E88TG**, CJS5E88TGY – Category 5e copper jack module	8

Available colors listed on the previous page.

8-Port DIN Rail Copper Patch Panel



Dimensions are in inches. [Dimensions in brackets are metric].

WORLDWIDE SUBSIDIARIES AND SALES OFFICES

PANDUIT US/CANADA
Phone: 800.777.3300

PANDUIT EUROPE LTD.
London, UK
Phone: 44.20.8601.7200

PANDUIT SINGAPORE PTE. LTD.
Republic of Singapore
Phone: 65.6305.7575

PANDUIT JAPAN
Tokyo, Japan
Phone: 81.3.6863.6000

PANDUIT LATIN AMERICA
Guadalajara, Mexico
Phone: 52.33.3777.6000

PANDUIT AUSTRALIA PTY. LTD.
Victoria, Australia
Phone: 61.3.9794.9020

For a copy of Panduit product warranties, log on to www.panduit.com/warranty

For more information

Visit us at www.panduit.com

Contact Customer Service by email: cs@panduit.com
or by phone: 800.777.3300

PANDUIT®

© 2021 Panduit Corp.
ALL RIGHTS RESERVED.
COSP461--WW-ENG
4/2021