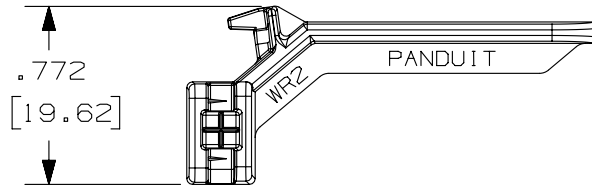
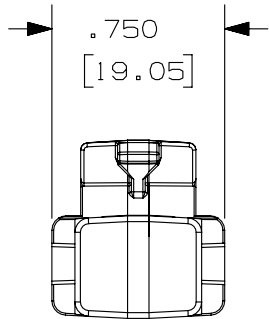
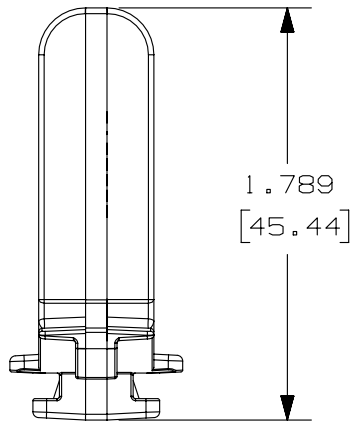


THIS COPY IS PROVIDED ON A RESTRICTED BASIS AND IS NOT TO BE USED IN ANY WAY DETRIMENTAL TO THE INTERESTS OF PANDUIT CORP.



DIMENSIONS IN PARENTHESIS ARE METRIC.

REV	DATE	BY	CHK	APR	DESCRIPTION	ECN
1	03-19-13	JBN	RTFI	RTFI	A. UPDATED DRAWING BORDER & TITLE BLOCK	36897-864
R	08-28-03	JHNU	JGG		DRAWING RELEASED	

TITLE WIRING DUCT - WIRE RETAINER WR2					
MARKETING DRAWING					
ITEM REVISION NAME D11000LM/00			PANDUIT		
DATASET FILE NAME D11000LM_DC_WR2/00B					
UNLESS OTHERWISE SPECIFIED, DIMENSIONAL TOLERANCES ARE: IN (mm)			MATERIAL: PVC		
.X ± .XX ± 			.XXX ± ANGLES ± THIRD ANGLE PROJECTION		
DRAWN BY JHNU		DATE 08-28-03	CHK JGG	SCALE FULL	DRAWING NUMBER: 36897-864
SHT 1 OF 1					SIZE A

D110100DA/15