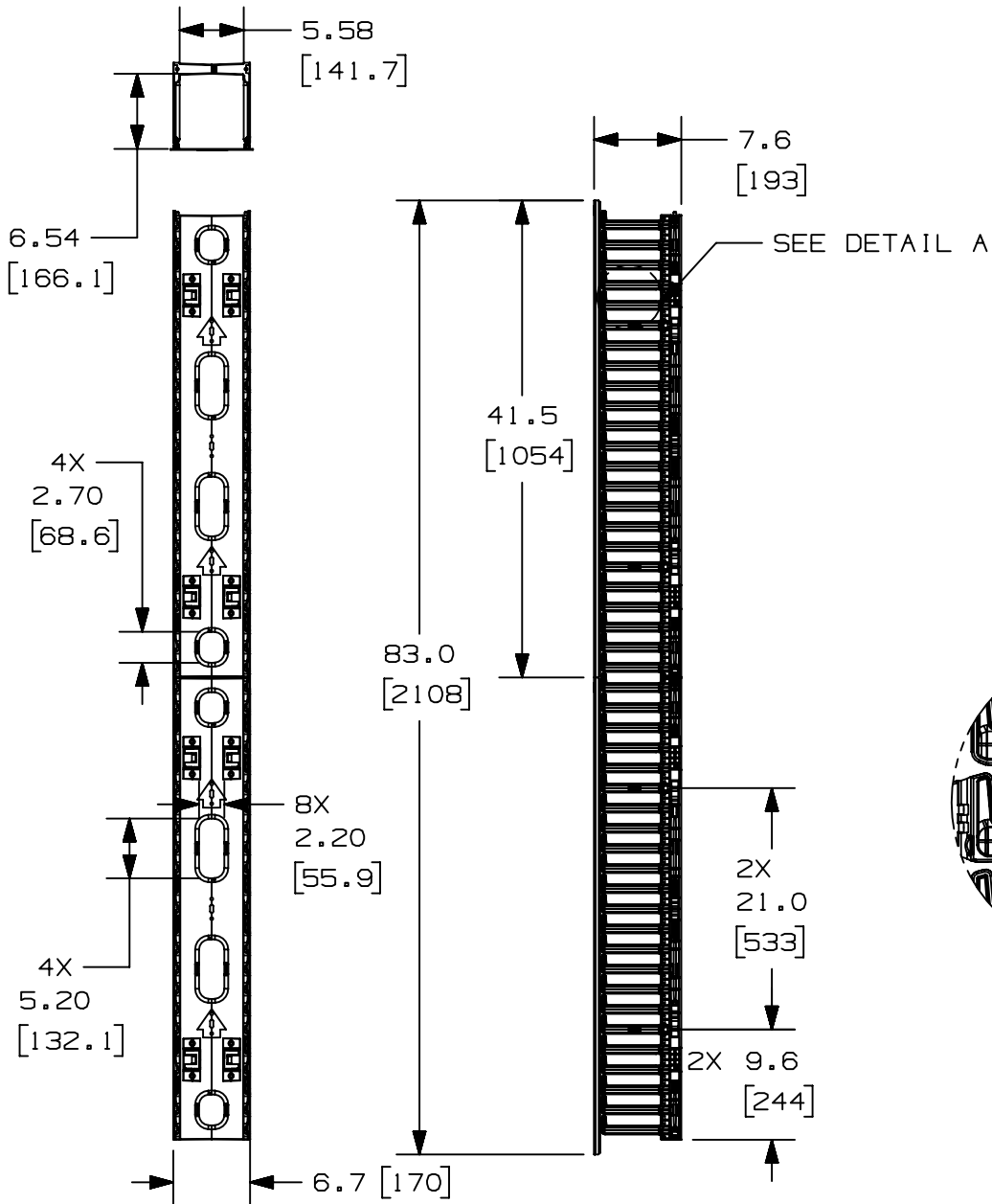


THIS COPY IS PROVIDED ON A RESTRICTED BASIS AND IS NOT TO BE USED IN ANY WAY DETRIMENTAL TO THE INTERESTS OF PANDUIT CORP.

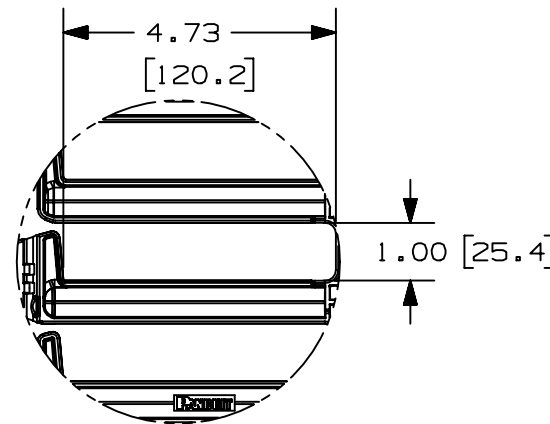
PANDUIT P/N	WEIGHT
WMPVHCF45E	18.0 LBS/EACH 8.16 Kg/EACH



NOTES:

- VISIT OUR ON-LINE CATALOG AT [WWW.PANDUIT.COM](http://WWW.PANDUIT.COM) FOR A CURRENT LIST OF PRODUCTS APPLICABLE FOR USE WITH THIS PART.
- COMPONENTS:  
2- 22.5RU CABLE MANAGEMENT SECTIONS  
2- 41.5" DUAL HINGE COVERS  
4- MOUNTING BRACKETS  
8- #12-24 X 1/2" SCREWS
- DIMENSIONS IN PARENTHESSES ARE METRIC.

MAX STORAGE TEMPERATURE 65° C (149° F)  
 MAX OPERATING TEMPERATURE 60° C (140° F)



DETAIL A

TITLE <b>6" WIDE FRONT ONLY VERTICAL CABLE MANAGER WMPVHCF45E</b>		<b>PANDUIT</b>								
CUSTOMER DRAWING										
ITEM REVISION NAME V10225AH/05	DRAWING NUMBER 10225-26									
DATASET FILE NAME V10225AH_DC/05B										
MATERIAL CABLE MANAGER- ABS COVER- PVC		THIRD ANGLE PROJECTION								
DRAWN BY JDWE	DATE 3-15-05									
REV	DATE	BY	CHK	APR	DESCRIPTION	ECN	CHK	SCALE	SHEET 1 OF 2	SIZE
05B	5-8-20	JBO	JCO	JEFK	ADDED TEMPERATURE NOTE	M09000LT	TCK	NONE		A

A-SIZE CUSTOMER

THIS COPY IS PROVIDED ON A RESTRICTED BASIS AND IS NOT TO BE USED IN ANY WAY DETRIMENTAL TO THE INTERESTS OF PANDUIT CORP.

2

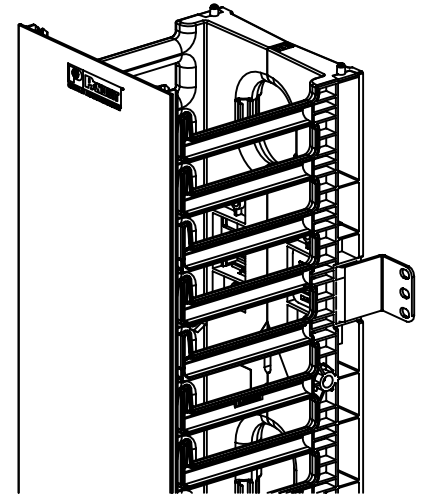
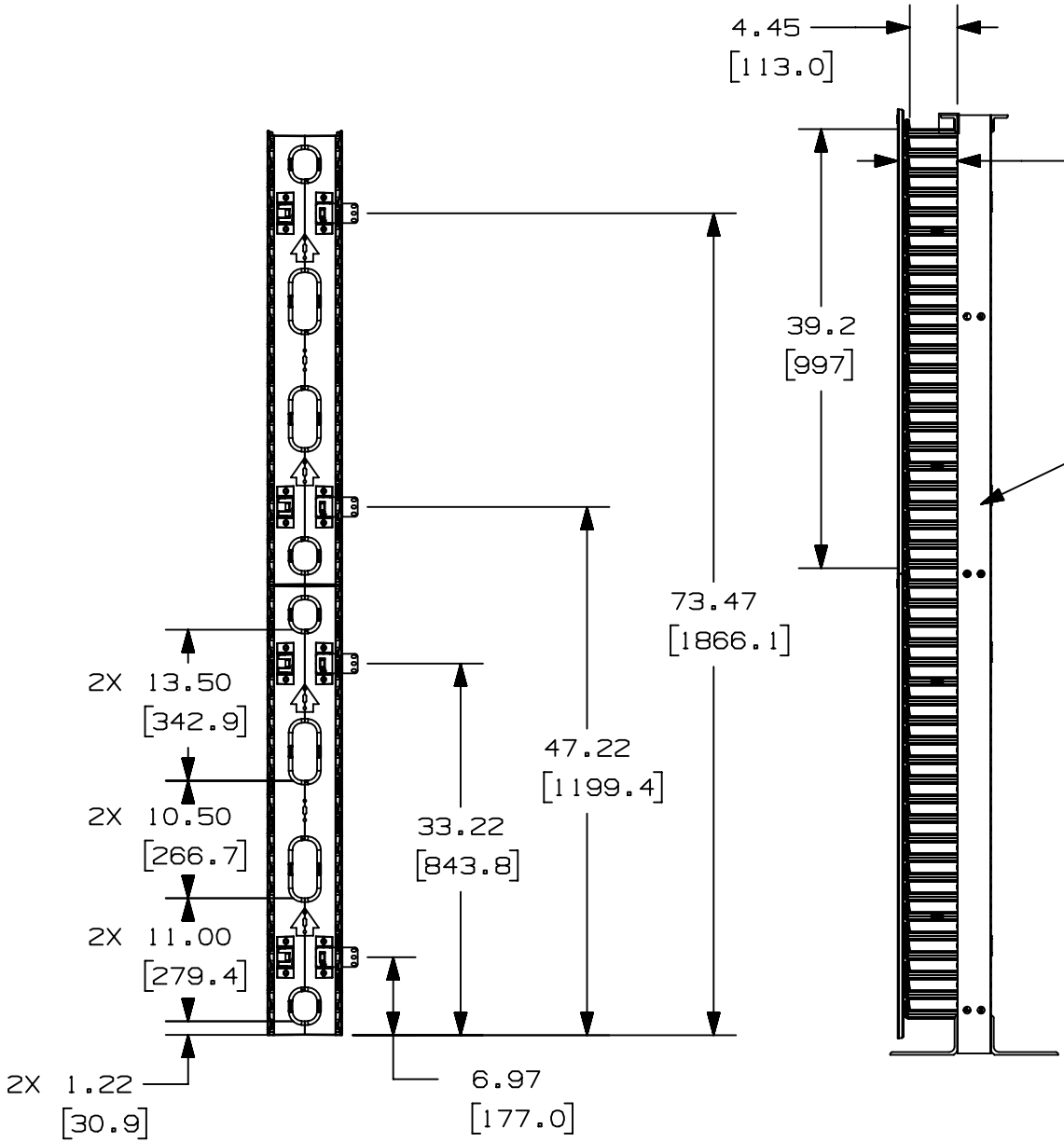
1

B

B

A

A



TITLE								6" WIDE FRONT ONLY VERTICAL CABLE MANAGER WMPVHCF45E	
ITEM REVISION NAME								CUSTOMER DRAWING	
DATASET FILE NAME								V10225AH/05	
MATERIAL								CABLE MANAGER- ABS COVER- PVC	
DRAWN BY								DATE	
JDWE								3-15-05	
CHK								SCALE	
TCK								NONE	
DRAWING NUMBER								10225-26	
SHEET 2 OF 2								A	

05B	5-8-20	JBO	JCO	JEFK	REFER TO SHEET 1 FOR REVISION CONTROL	M09000LT
REV	DATE	BY	CHK	APR	DESCRIPTION	ECN

2

1

A-SIZE CUSTOMER