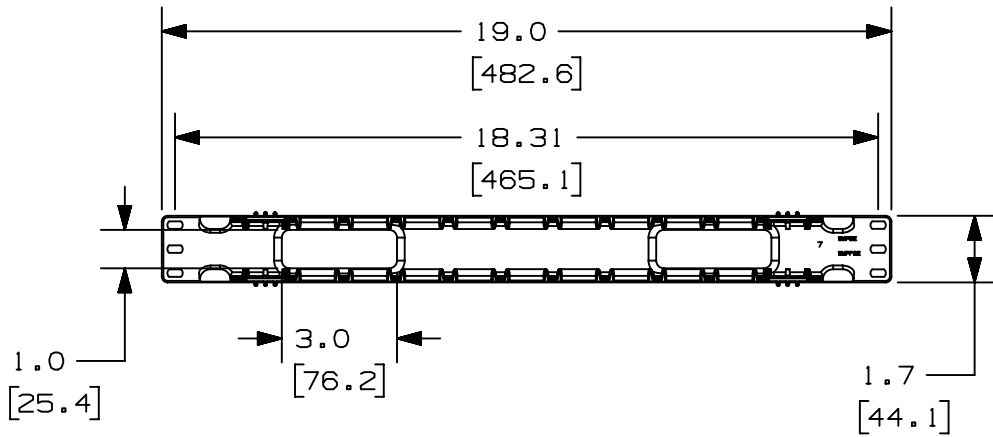


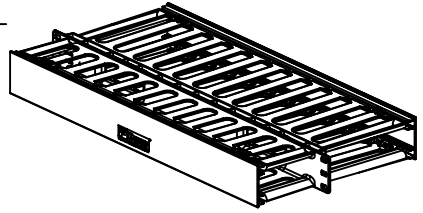
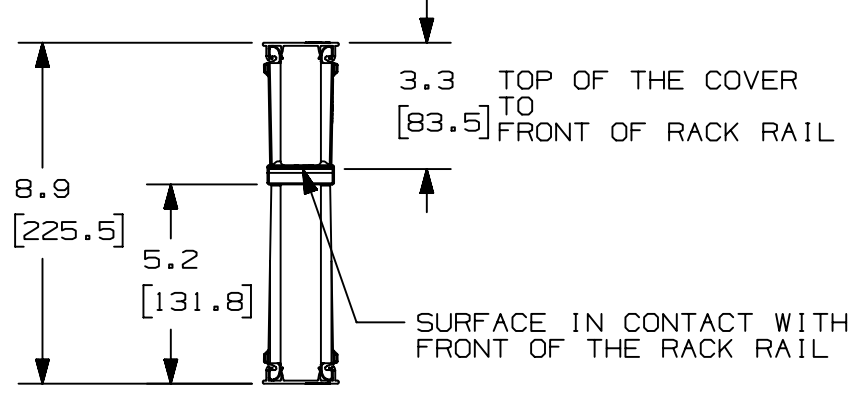
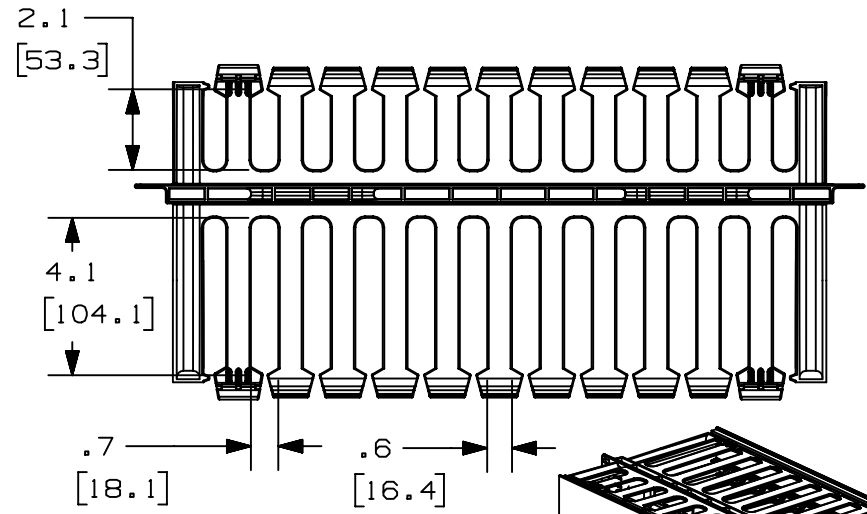
THIS COPY IS PROVIDED ON A RESTRICTED BASIS AND IS NOT TO BE USED IN ANY WAY DETRIMENTAL TO THE INTERESTS OF PANDUIT CORP.



PANDUIT P/N	WEIGHT
WMPSE	1.2 LBS/EACH 544 g/EACH

- NOTES:
- DESIGNED FOR MOUNTING ON 19" EIA RACKS.
  - COMPONENTS:
    - 1- MANAGER
    - 2- 17" X 2.0" DUAL HINGED COVERS
    - 4- #12-24 X 1/2" SCREWS
    - 2- STRAIN RELIEF CLIPS
  - DIMENSIONS IN PARENTHESES ARE METRIC.

MAX STORAGE TEMPERATURE 65° C (149° F)  
MAX OPERATING TEMPERATURE 60° C (140° F)



TITLE												
<b>WPMSE HORIZONTAL MANAGER</b>												
CUSTOMER DRAWING												
ITEM REVISION NAME					V10101WS/09							
DATASET FILE NAME					V10101WS_DC/09B							
					THIRD ANGLE PROJECTION							
MATERIAL					ABS							
					DRAWING NUMBER							
					V10101WS-DC							
REV	DATE	BY	CHK	APR	DESCRIPTION	ECN	DRAWN BY	DATE	CHK	SCALE	SHEET	SIZE
09B	5-11-20	JBO	JCO	JEFK	ADDED TEMPERATURE NOTE	M09000LT	JDWE	12-17-02	MECA	NONE	1 OF 1	A

A-SIZE CUSTOMER