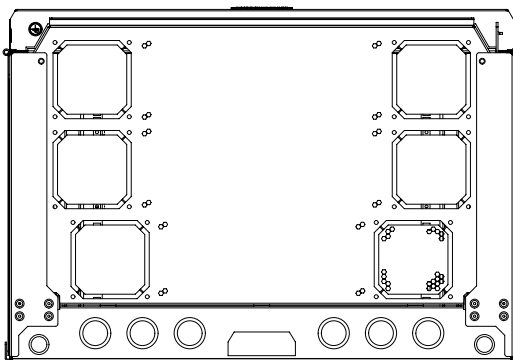
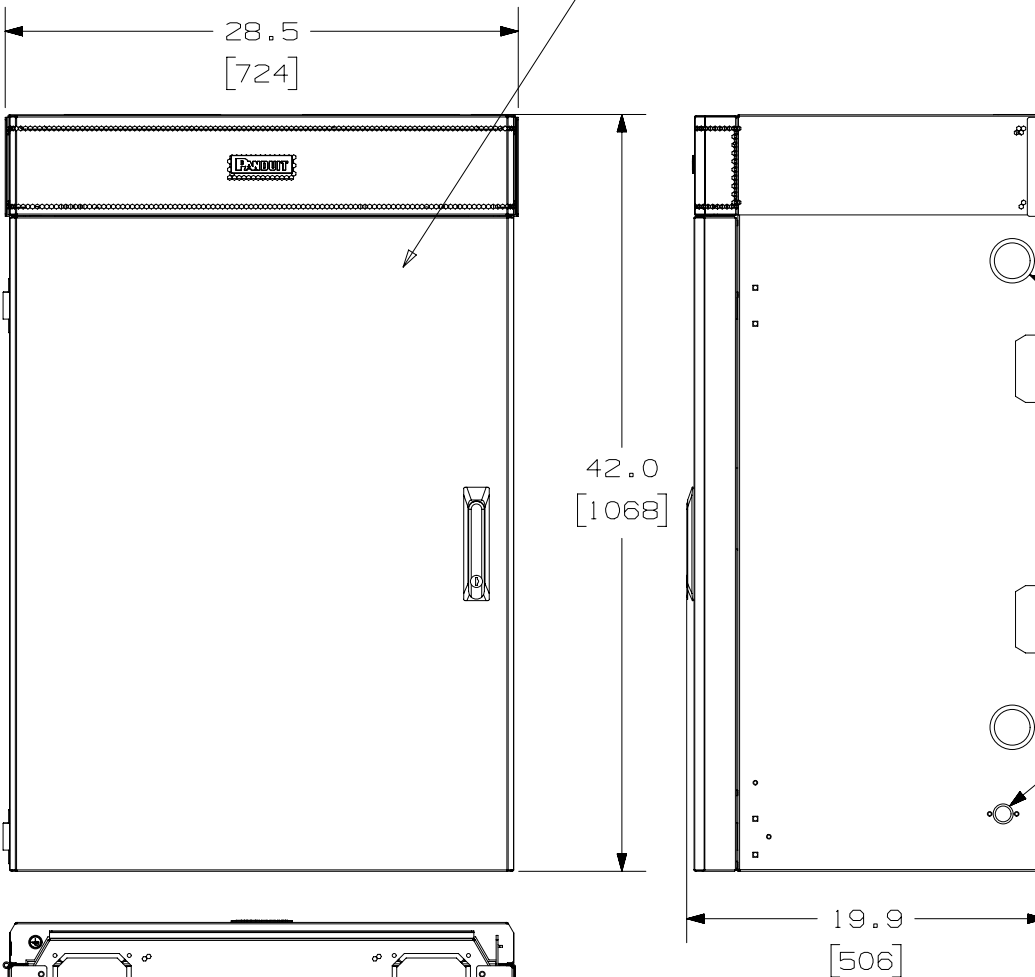
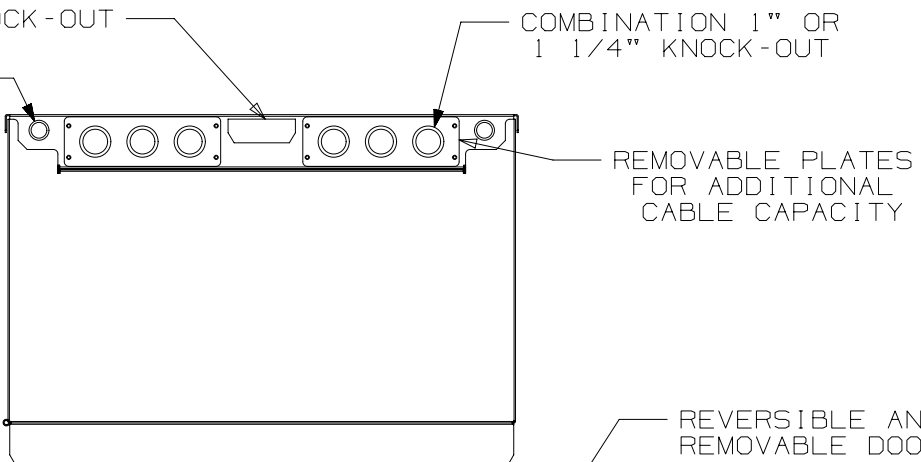
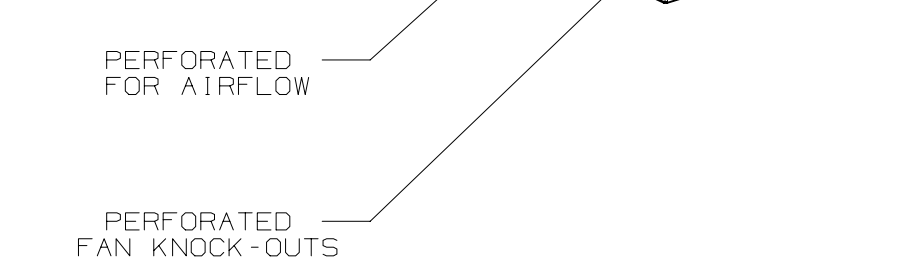
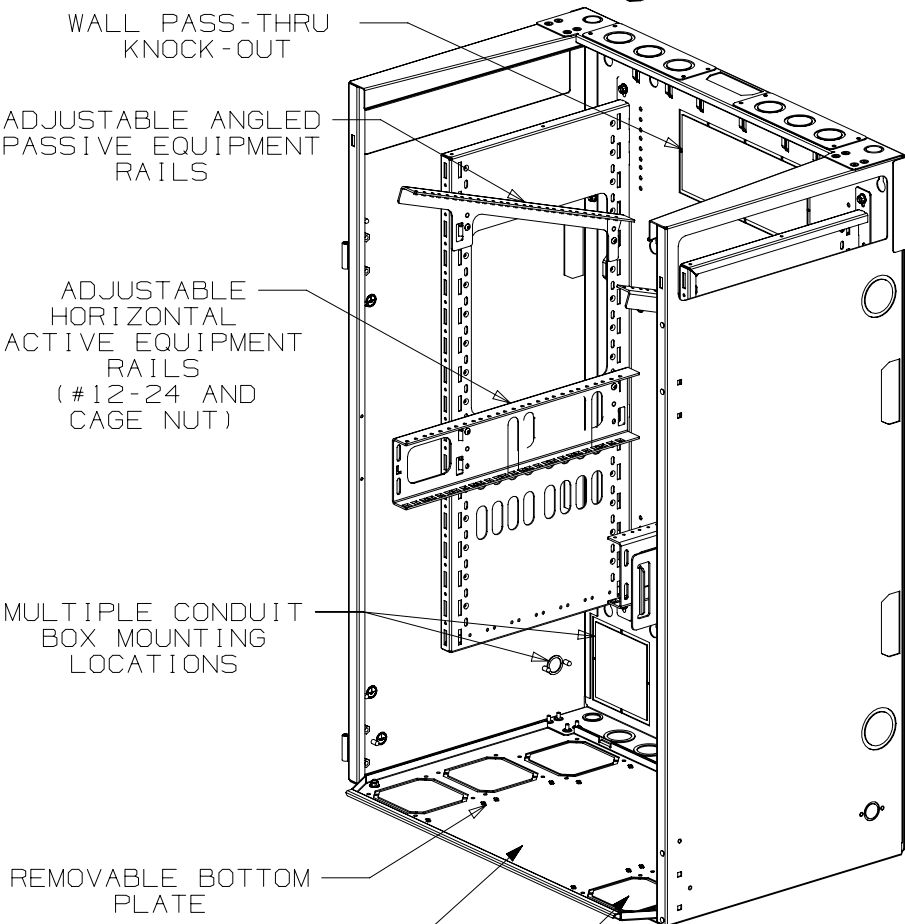
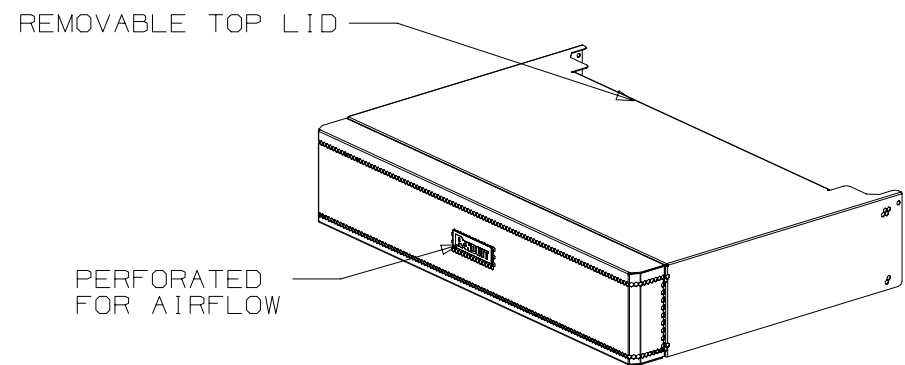


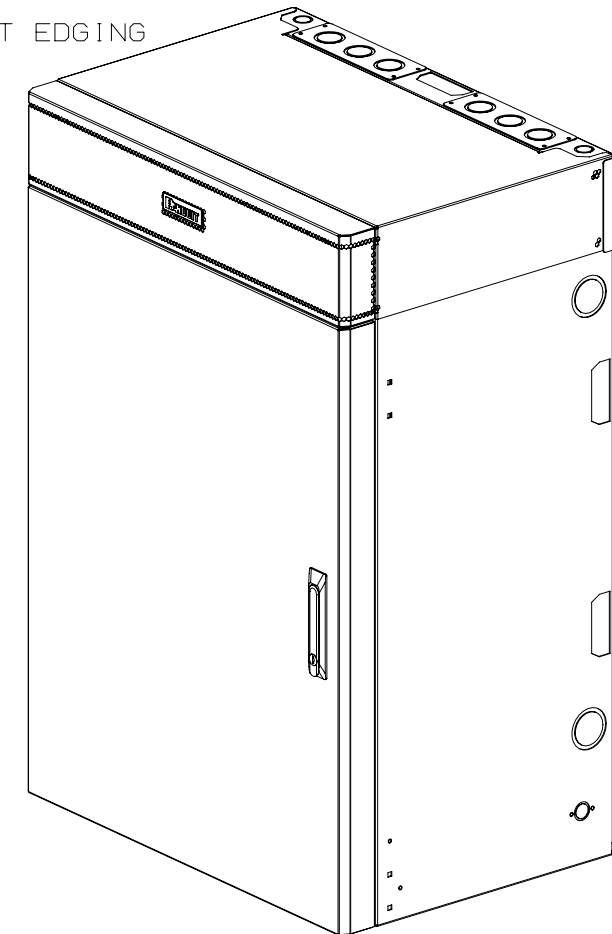
THIS COPY IS PROVIDED ON A RESTRICTED BASIS AND IS NOT TO BE USED IN ANY WAY DETRIMENTAL TO THE INTERESTS OF PANDUIT CORP.

T-70 RACEWAY KNOCK-OUT  
 COMBINATION 1/2" OR 3/4" KNOCK-OUT  
 COMBINATION 1" OR 1 1/4" KNOCK-OUT



NOTES:

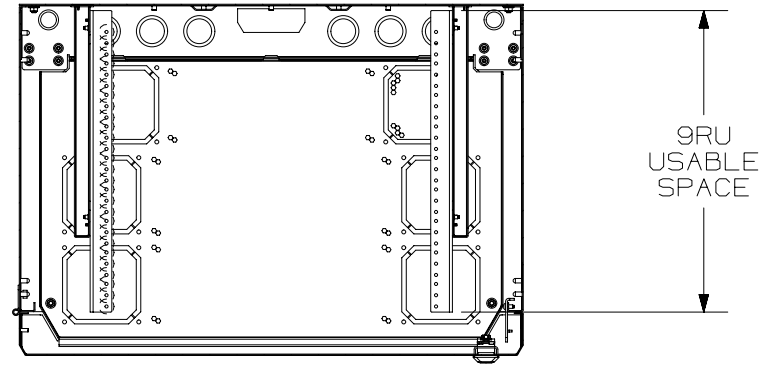
- VISIT OUR ON-LINE CATALOG AT WWW.PANDUIT.COM FOR A LIST OF CURRENT PARTS APPLICABLE FOR USE WITH THIS PRODUCT.
- DIMENSIONS IN [ ] ARE METRIC.
- CAN BE USED WITH ANY 19" EIA STANDARD COMPONENT UP TO 36.9" [938mm] DEEP.
- 9 AVAILABLE RACK SPACES. (9 ACTIVE &/OR 9 PASSIVE)
- EQUIPMENT MOUNTING BRACKETS ARE ADJUSTABLE VERTICALLY IN 1.75" [44.5mm] INCREMENTS.
- WEIGHT: 77 LB [34.9 kg]
- LOAD CAPACITY: 400 LBS
- TOP AND BOTTOM PANELS ARE REMOVABLE FOR ACCESS TO EQUIPMENT.
- PART INCLUDES:
  - (1) VERTICAL WALL MOUNT ENCLOSURE
  - (1) PAIR OF HORIZONTAL ACTIVE EQUIPMENT RAILS (9RU)
  - (1) PAIR OF ANGLED PASSIVE EQUIPMENT RAILS (9RU)
  - (4) #12-24 SCREWS
  - (4) M5 THREAD FORMING BONDING SCREWS
  - (1) ROLL OF TAK-TY HOOK AND LOOP CABLE TIE
  - (2) KEYS
  - (1) ROLL OF GROMMET EDGING
  - (1) HARDWARE KIT



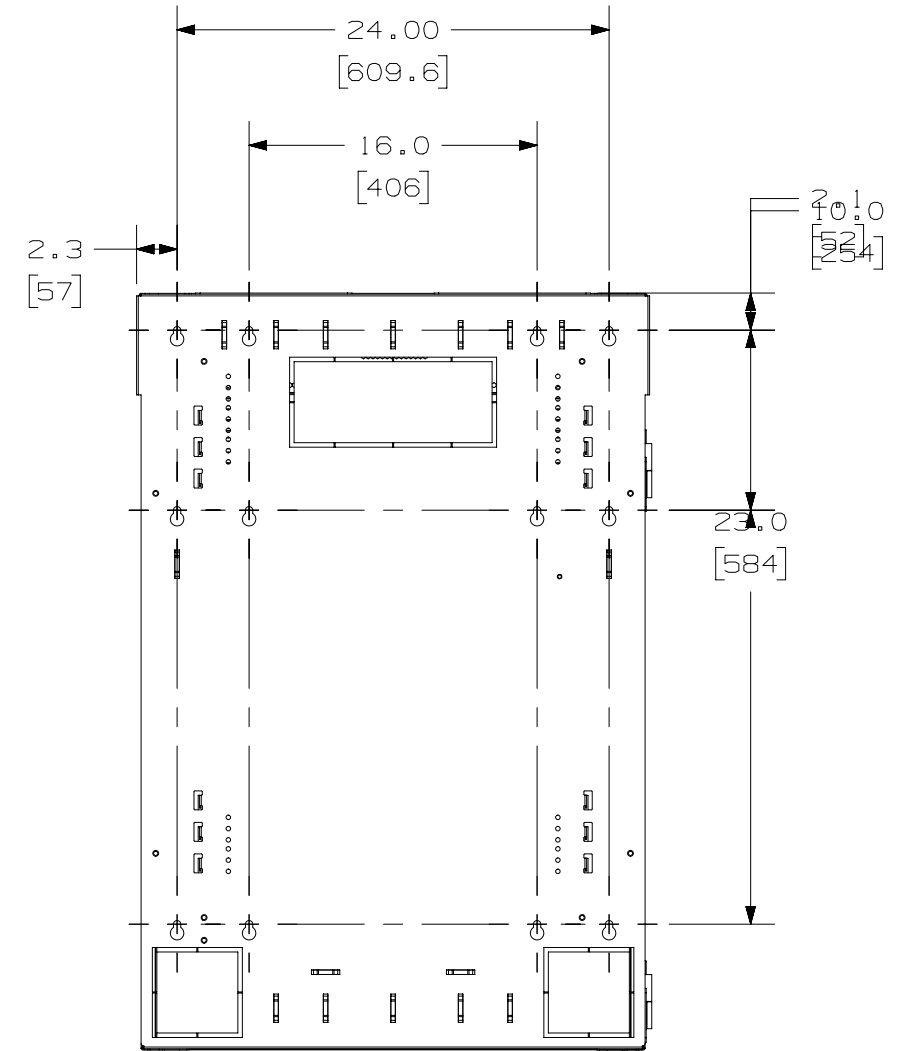
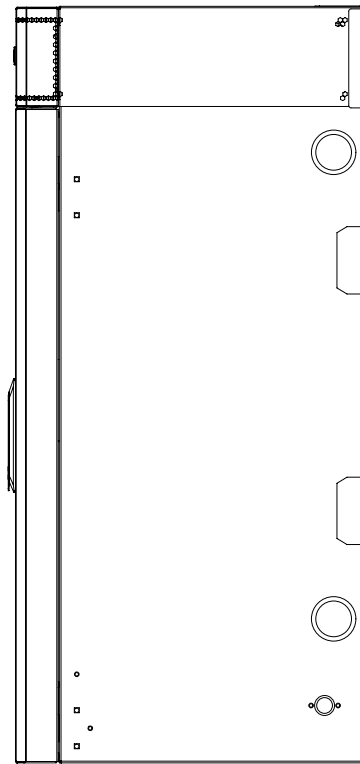
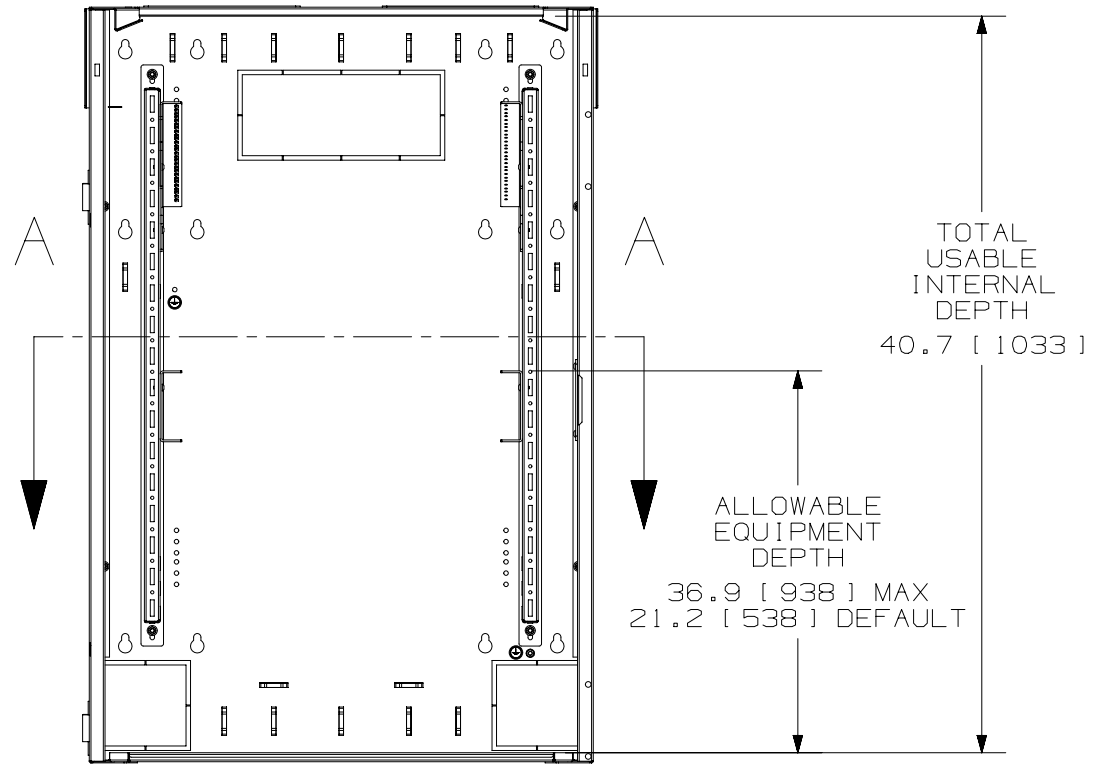
PART NUMBER		WME9BL		
TITLE		VERTICAL WALL MOUNT ENCLOSURE 9RU		
		CUSTOMER DRAWING		
ITEM REVISION NAME		00490EAC/01		
DATASET FILE NAME		00490EAC_DC/01A		
MATERIAL		STEEL		
DRAWN BY		TWW		
DATE		3-17-20		
CHK		KZU		
SCALE		NONE		
DRAWING NUMBER		00490EAC - DC		
SHEET 1 OF 3		B		

REV	DATE	BY	CHK	APR	DESCRIPTION	ECN
01A	3-17-20	TWV	KZU	BETL	RELEASED TO PRODUCTION	M09000LH

B-SIZE CUSTOMER



SECTION A - A



PART NUMBER		WME9BL		
TITLE		VERTICAL WALL MOUNT ENCLOSURE 9RU		
		CUSTOMER DRAWING		
ITEM REVISION NAME		00490EAC/01		
DATASET FILE NAME		00490EAC_DC/01A		
MATERIAL		STEEL		
DRAWING NUMBER		00490EAC - DC		
THIRD ANGLE PROJECTION				
DRAWN BY	DATE	CHK	SCALE	SHEET 2 OF 3
TWV	3-17-20	KZU	NONE	B

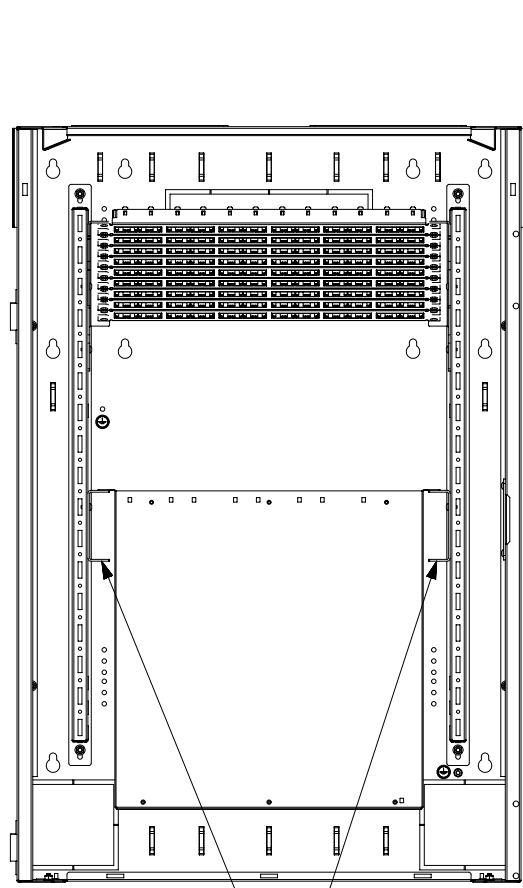
REV	DATE	BY	CHK	APR	DESCRIPTION	ECN
01A	3-17-20	TWV	KZU	BETL	SEE SHEET ONE FOR REVISIONS	M09000LH

B-SIZE CUSTOMER

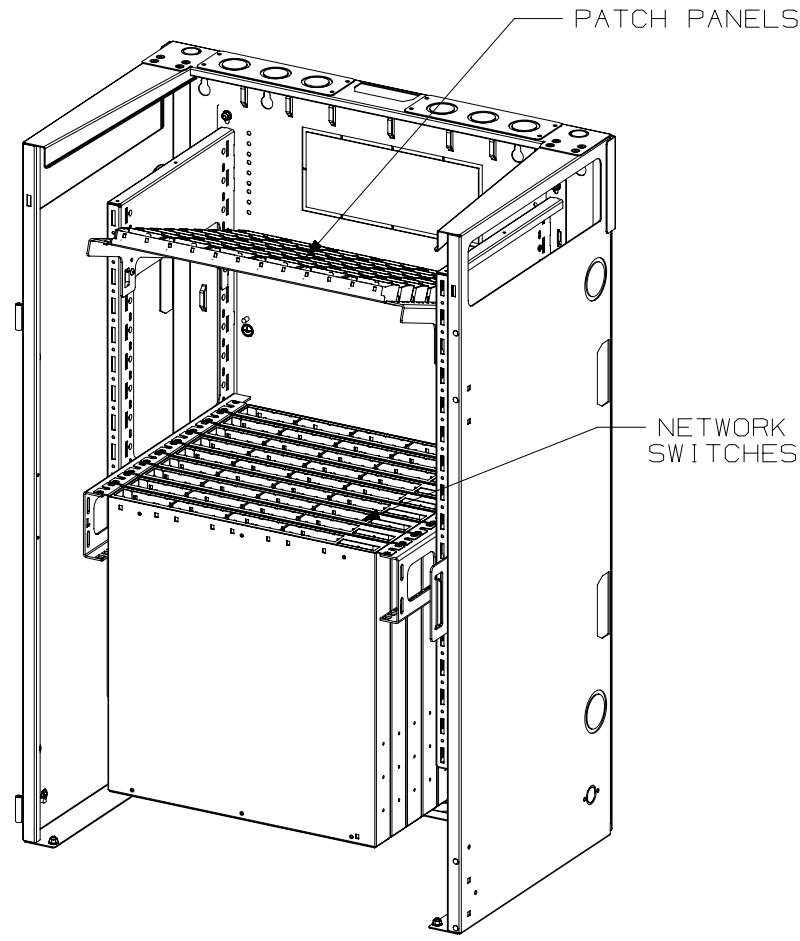
2



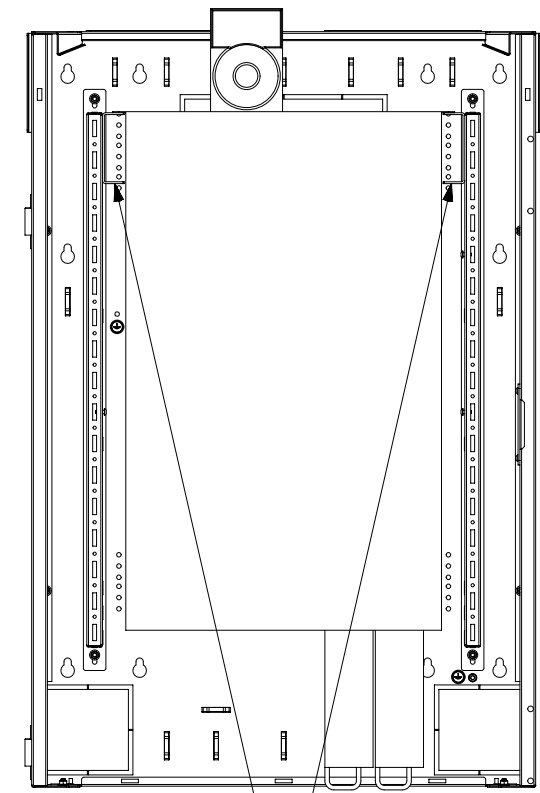
1



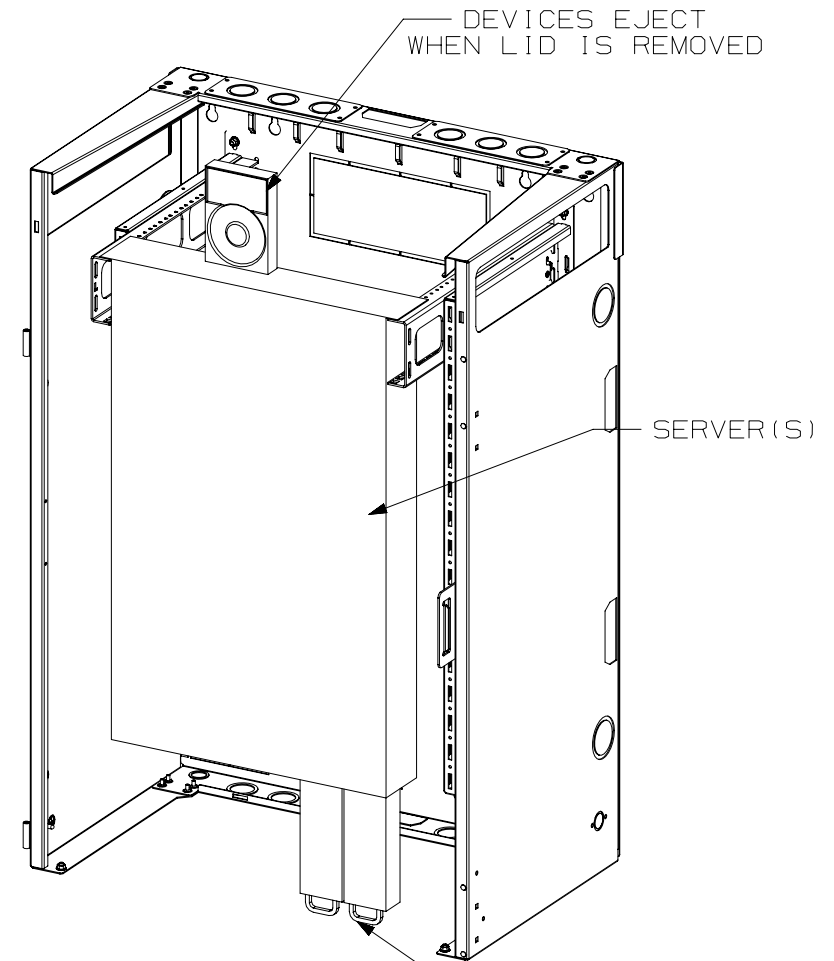
ADJUSTABLE EQUIPMENT BRACKETS (ADJUSTABLE VERTICALLY IN 1.75" [ 44.5mm ] INCREMENTS)



SWITCH CONFIGURATION



ADJUSTABLE EQUIPMENT BRACKETS (ADJUSTABLE VERTICALLY IN 1.75" [ 44.5mm ] INCREMENTS)



SERVER CONFIGURATION

PART NUMBER		WME9BL	
TITLE		VERTICAL WALL MOUNT ENCLOSURE 9RU	
ITEM REVISION NAME		CUSTOMER DRAWING	
DATASET FILE NAME		00490EAC/01	
MATERIAL		STEEL	
DRAWING NUMBER		00490EAC - DC	
THIRD ANGLE PROJECTION		DRAWN BY: TWV, DATE: 3-17-20, CHK: KZU, SCALE: NONE	
SHEET 3 OF 3		SIZE: B	

REV	DATE	BY	CHK	APR	DESCRIPTION	ECN
01A	3-17-20	TWV	KZU	BETL	SEE SHEET ONE FOR REVISIONS	M09000LH

B

B

A

A

2



1

B-SIZE CUSTOMER