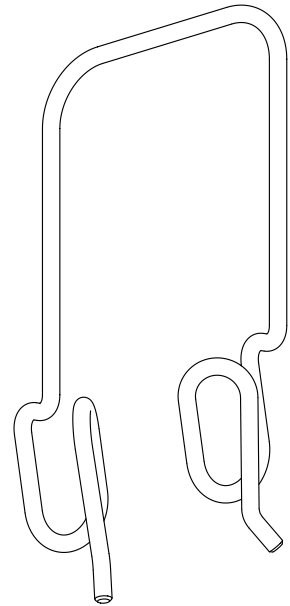
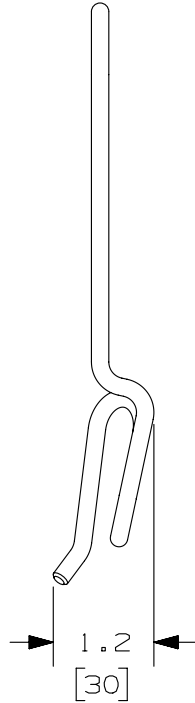
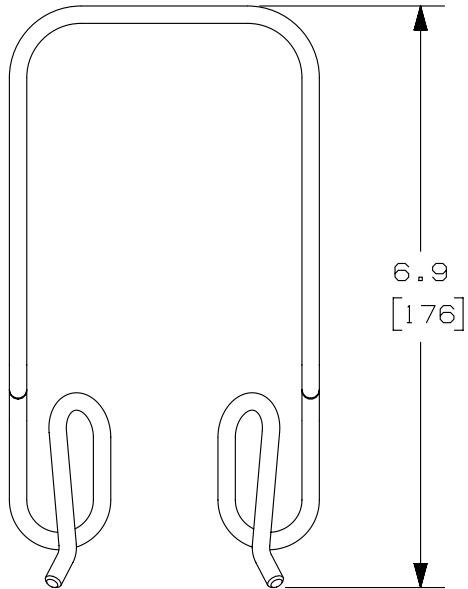
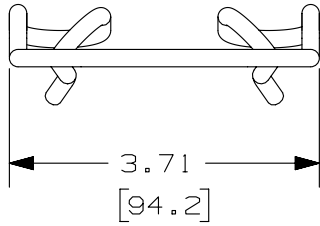


THIS COPY IS PROVIDED ON A RESTRICTED BASIS AND IS NOT TO BE USED IN ANY WAY DETRIMENTAL TO THE INTERESTS OF PANDUIT CORP.



PANDUIT PART NUMBER	WEIGHT
WGSW4**	.25 LBS (112.0 g)

NOTES:

- PANDUIT PART NUMBER WGSW4** INCLUDES:
A. ONE (1) WYR-GRID SIDE WALL 4"
- DIMENSIONS IN PARENTHESES ARE METRIC.
- SEE CATALOG FOR ADDITIONAL PART SUFFIXES TO INDICATE PART FINISH AND/OR PACKAGE QUANTITY.

R	02-24-14	SSP	DWR	RN	RELEASED TO PRODUCTION					12D344BM-DC	
REV	DATE	BY	CHK	APR	DESCRIPTION					ECN	

TITLE		WYR-GRID SIDE WALL 4" (WGSW4**)		
		CUSTOMER DRAWING		
ITEM REVISION NAME		12D344BM/00		
DATASET FILE NAME		12D344BM-DC/00A WGSW4**		
UNLESS OTHERWISE SPECIFIED, DIMENSIONAL TOLERANCES ARE: IN [mm]				MATERIAL:
.x ± .1 [2.5]		.xxx ±		STEEL
.xx ± .06 [1.5]		ANGLES ± 5 °		DRAWING NUMBER:
		THIRD ANGLE PROJECTION		12D344BM-DC
DRAWN BY	DATE	CHK	SCALE	SIZE
SSP	02-24-14	DWR	NONE	A
SHT 1 OF 1				