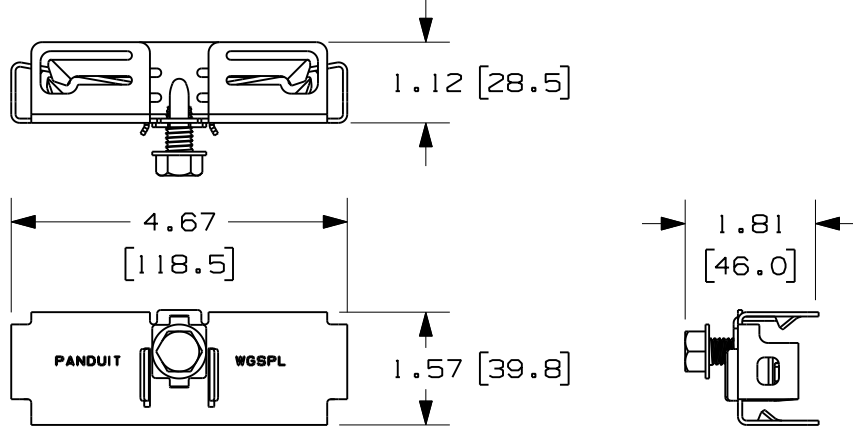
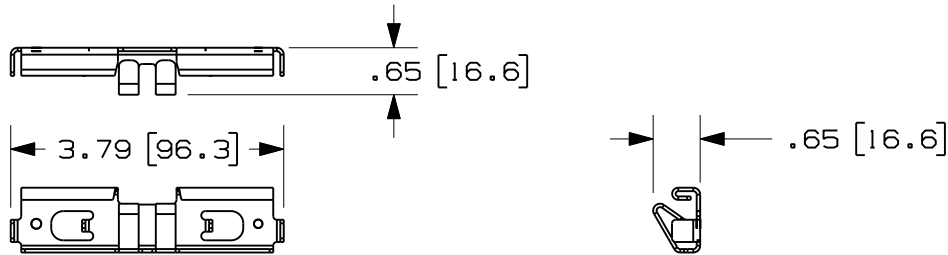


THIS COPY IS PROVIDED ON A RESTRICTED BASIS AND IS NOT TO BE USED IN ANY WAY DETRIMENTAL TO THE INTERESTS OF PANDUIT CORP.



WGSPL SPLICE CONNECTOR



WGSPL CENTER CONNECTOR

EACH WGSPL2430 PACKAGE CONTAINS A PAIR OF THE WGSPL SPLICE CONNECTORS AND A PAIR OF THE WGSPL CENTER CONNECTORS.

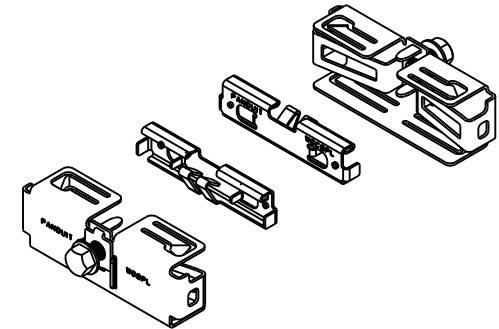
PANDUIT PART NUMBER	APPROXIMATE WEIGHT
WGSPL2430	.83 lb (375g)

NOTES:

- SEE CURRENT CATALOG FOR ADDITIONAL PART SUFFIXES TO INDICATE PACKAGE QUANTITY.
- THE WYR-GRID SPLICE CONNECTOR IS USED TO CONNECT WYR-GRID PATHWAY SECTIONS END TO END TO CREATE A CONTINUOUS PATHWAY.
- THE WYR-GRID SPLICE CONNECTOR PACKAGE CONTAINS A PAIR OF SPLICE CONNECTORS, AND A PAIR OF CENTER CONNECTORS.

EACH SPLICE CONNECTOR CONSISTS OF:
 ONE (1) WYR-GRID SPLICE CONNECTOR
 ONE (1) 3/8-16 X 5/8 HEX HEAD WASHER
 HEAD TAPPING SCREW (GREEN)

- DIMENSIONS IN PARENTHESES ARE METRIC.



CAD FILENAME/LAYERS 09D017CF_DC_WGSPL2430/03B

PANDUIT CORP. TINLEY PARK, ILLINOIS
 WYR-GRID SPLICE CONNECTOR
 FOR 24" & 30" WIDTHS (WGSPL2430)
 CUSTOMER DRAWING

UNLESS OTHERWISE SPECIFIED, DIMENSIONAL TOLERANCES ARE:
 (.X) ± (.XXX) ±
 (.XX) ±.05 (1.3) ANGLES ±

UNLESS OTHERWISE SPECIFIED, ALL DIMENSIONS ARE GIVEN IN INCHES, THIRD ANGLE PROJECTION.

REV	DATE	BY	CHK	DESCRIPTION	ECN	R	CUST	SUP
I	1/14/11	ERK	DWW	RELEASED TO PRODUCTION	09D017CF-DC		RN	
R	5/24/10	JCST	DWW	DRAWING RELEASED	-----	--		

DRAWN BY JCST	MAT'L: STEEL	SCALE .375X
DATE 05/24/10		DRAWING NO. 09D017CF-DC
CHK'D DWW		DWG A SIZE