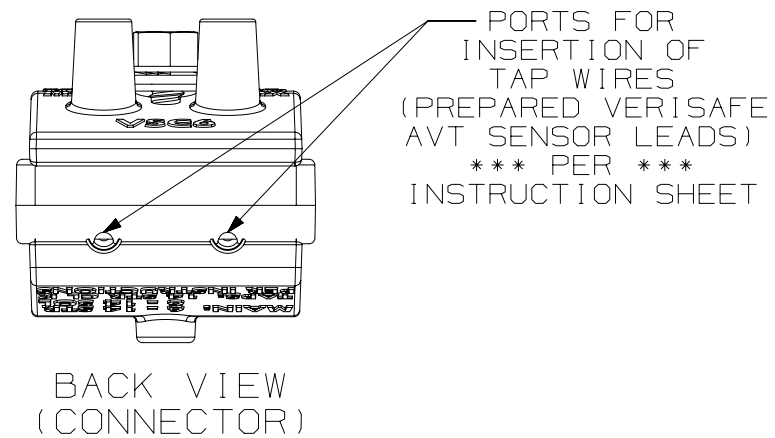
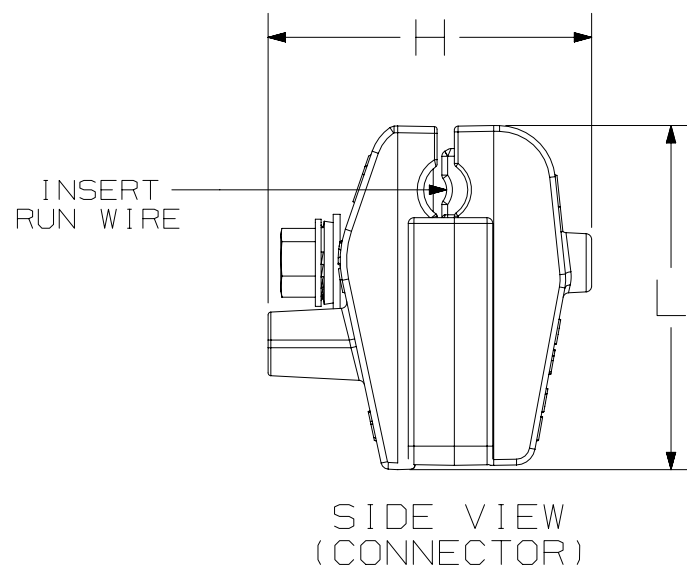
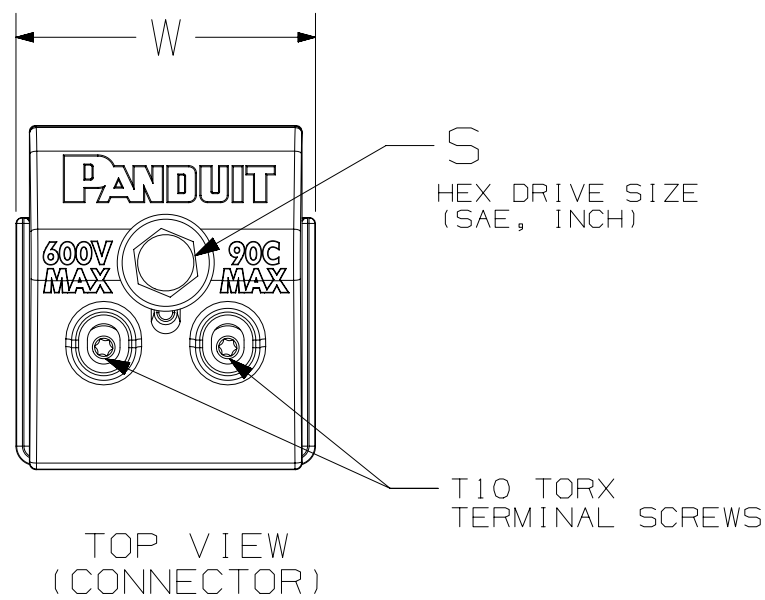


VERISAFE CONNECTION KIT PART NUMBER	COPPER WIRE ONLY			CONTENTS DESCRIPTION	QTY ITEM IN KIT	ITEM PART NUMBER	CONNECTOR DATA					CONNECTION KIT PACKAGE WEIGHT
	RUN AWG "CODE WIRE" Class B or C		TAP AWG				S (SAE Hex)	L (Length)	W (Width)	H (Height)	Connector Weight (approx.)	
	MIN.	MAX.	REQUIRED				inch	inch [mm]	inch [mm]	inch [mm]	oz [grams]	
VS-CKP14-6	14 SOL 14 STR	6 SOL 6 STR	14 STR Class K (VeriSafe AVT Sensor Leads)	INSULATION-PIERCING CONNECTOR	3	VSC6	5/16"	1-13/16 [46]	1-9/16 [40]	1-11/16 [43]	2.3 [65]	0.61 [0.27]
				FERRULES	12	F80-12-M	-	-	-	-	-	
VS-CKP4-000	4 SOL 4 STR	3/0 STR	14 STR Class K (VeriSafe AVT Sensor Leads)	INSULATION-PIERCING CONNECTOR	3	VSC3/0	3/8"	1-15/16 [49]	1-15/16 [49]	1-15/16 [49]	3.2 [90]	0.79 [0.36]
				FERRULES	12	F80-12-M	-	-	-	-	-	



- NOTES:
- VISIT PANDUIT ON-LINE CATALOG AT WWW.PANDUIT.COM FOR A LIST OF CURRENT PARTS APPLICABLE FOR USE WITH THIS PRODUCT.
 - DIMENSIONS IN [] ARE METRIC.
 - ALL MATERIALS AND COMPONENTS USED MEET THE MATERIAL RESTRICTIONS OF RoHS (EUROPEAN DIRECTIVE 2011/65/EU ON THE RESTRICTION OF HAZARDOUS SUBSTANCES)
 - WEIGHT: 2.3 oz [65 grams]
 - KIT CONTENTS INCLUDE: SEE TABLE 1
 - CONNECTOR STANDARDS INFORMATION.
 - cULus LISTED TO UL486A-B
 - MAX VOLTAGE = 600V
 - MAX TEMPERATURE = 90 deg C

PART NUMBER		VS-CKP14-6, VS-CKP4-000	
TITLE		VeriSafe Insulation-Piercing Connector Kits (for VeriSafe AVT Installation on Copper Wire)	
		CUSTOMER DRAWING	
ITEM REVISION NAME		00080EAW/00	
DATASET FILE NAME		00080EAW_DC/00	
MATERIAL		-	
DRAWING NUMBER		00080EAW-DC	
DRAWN BY		BKA	
DATE		09/12/2018	
CHK		JBN	
SCALE		NONE	
SHEET 1 OF 1		B	

REV	DATE	BY	CHK	APR	DESCRIPTION	ECN
00A	09/12/18	BKA	JBN	BKA	RELEASE	040527

B-SIZE CUSTOMER