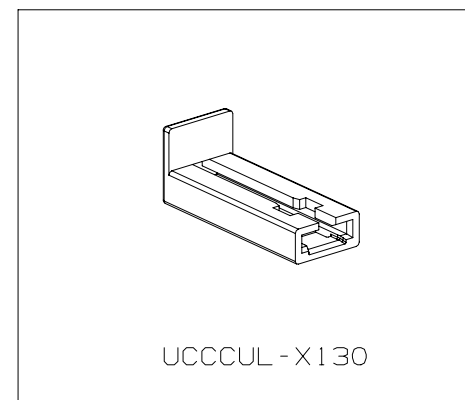
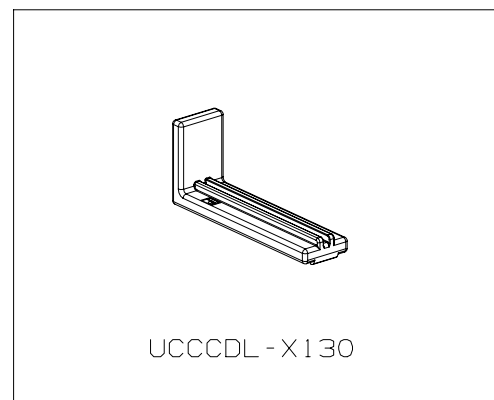
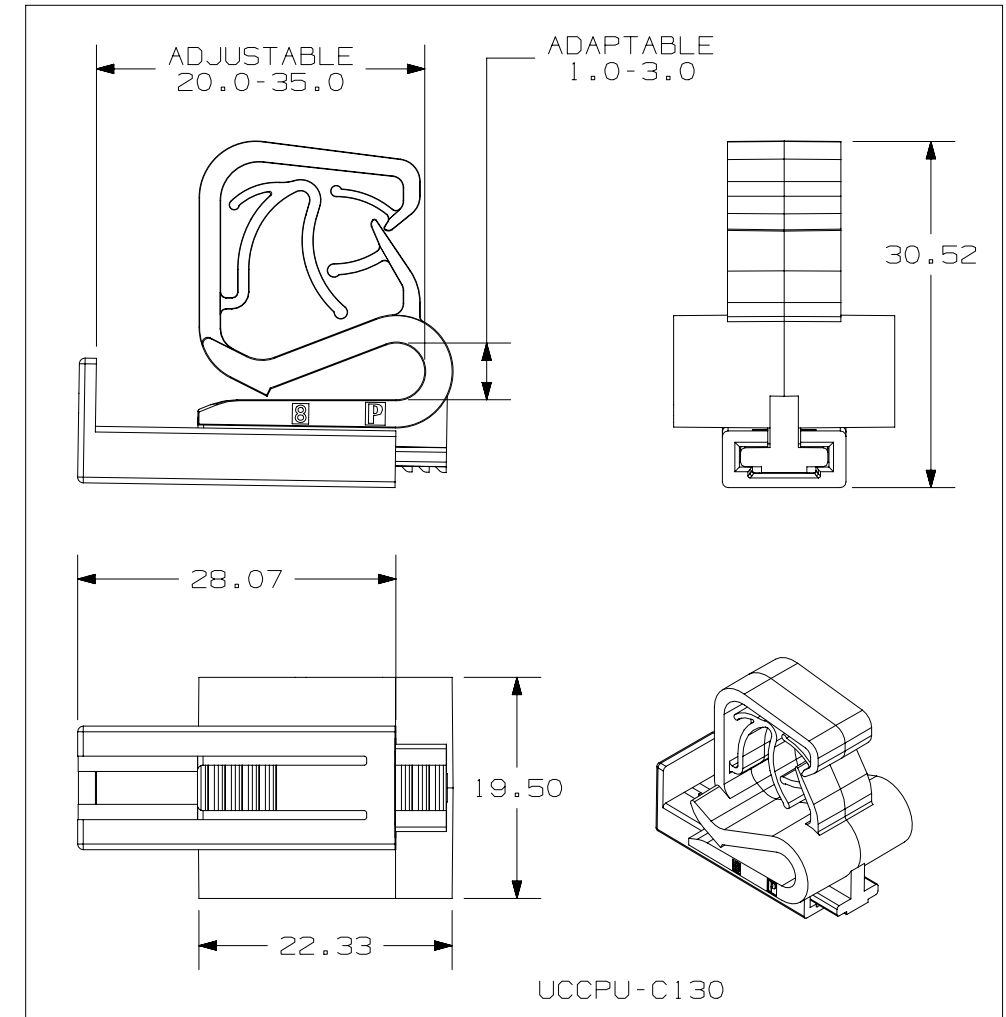
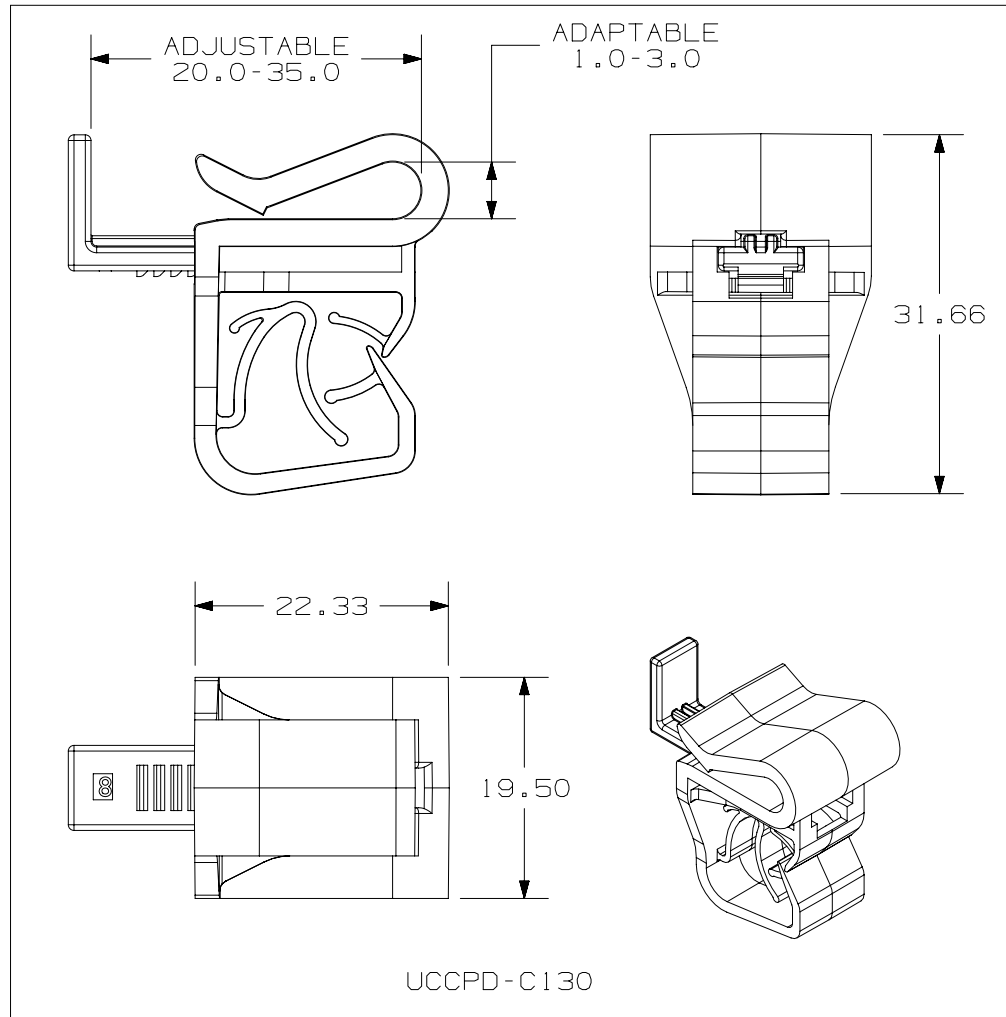
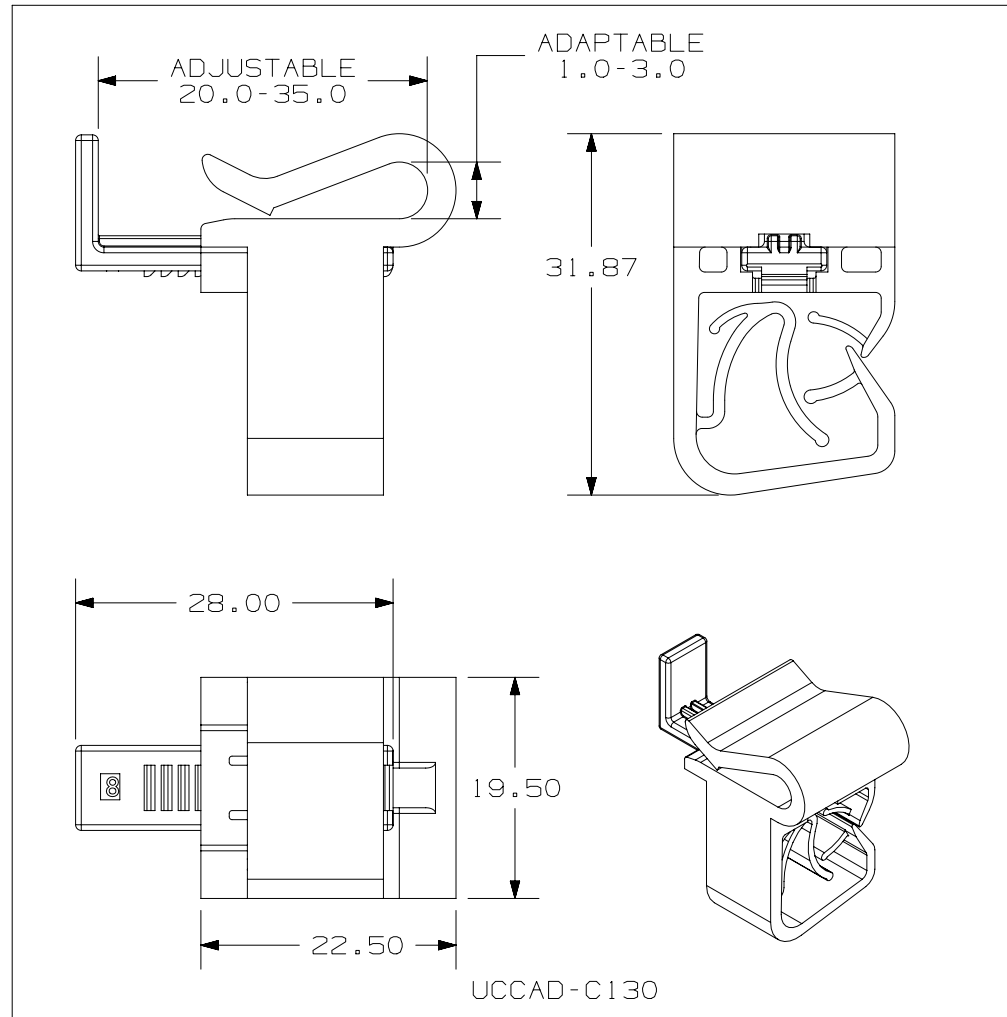


ITEM	PN	DESCRIPTION	CABLE QTY	CABLE DIA	FRAME WIDTH	FRAME THICKNESS	PACKAGE/BAG
1	UCCPU-C130	UNIVERSAL CABLE CLIP PARALLEL TYPE CABLE UP	1-2	6.0-7.5	20.0-35.0	1.0-3.0	100
2	UCCPD-C130	UNIVERSAL CABLE CLIP PARALLEL TYPE CABLE DOWN	1-2	6.0-7.5	20.0-35.0	1.0-3.0	100
3	UCCAD-C130	UNIVERSAL CABLE CLIP ANGLED TYPE CABLE DOWN	1-2	6.0-7.5	20.0-35.0	1.0-3.0	100
4	UCCCDL-X130	UNIVERSAL CABLE CLIP DOWN LATCH					10
5	UCCCUL-X130	UNIVERSAL CABLE CLIP UP LATCH					10



- NOTES:
- VISIT OUR ON-LINE CATALOG AT WWW.PANDUIT.COM FOR A LIST OF CURRENT PARTS APPLICABLE FOR USE WITH THIS PRODUCT.
  - DIMENSIONS ARE IN METRIC.
  - ALL MATERIALS AND COMPONENTS USED MEET THE MATERIAL RESTRICTIONS OF RoHS (EUROPEAN DIRECTIVE 2011/65/EU ON THE RESTRICTION OF HAZARDOUS SUBSTANCES) AS PROPOSED BY THE RoHS TECHNICAL ADAPTATION COMMITTEE.
  - MATERIAL: POLYACETAL ;
  - RACHET PITCH 1.5MM;
  - WEIGHT: 6-7g.

REV	DATE	BY	CHK	APR	DESCRIPTION	ECN
00B	2019-08-05	CWG		HQJ	CABLE DIAMETER 6.0-7.5 WAS 6.5-7.5	00458EAA-ECN/00B
00A	2019-07-15	CWG		HQJ	INITIAL RELEASE	

WE ASK THAT YOU CHECK FULLY THE DIMENSIONS, NOTES, AND SIGN THE CLIENT SIGNATURE BOX. THE JOB WILL NOT PROGRESS WITHOUT SIGNED APPROVAL. PLEASE DO NOT DELAY IN RETURNING PROOF AS IT WILL AFFECT DELIVERY.

SIGN	
PRINT	
DAE	

PART NUMBER		SEE TABLE	
TITLE			
UNIVERSAL EDGE CLIP			
CUSTOMER DRAWING			
ITEM REVISION NAME		00458EAA/00	
DATASET FILE NAME		00458EAA_DC/00B	
MATERIAL		SEE NOTES	
DRAWN BY		DATE	CHK
CWG	2019-07-15	HQJ	SCALE
		NONE	
DRAWING NUMBER			00458EAA_DC
SHEET 1 OF 1			SIZE
			B

B

B

A

A

B-SIZE CUSTOMER