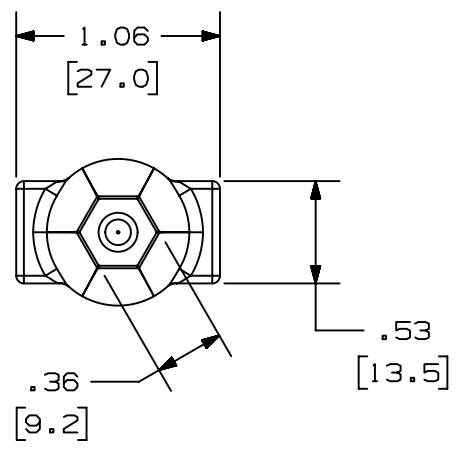


2

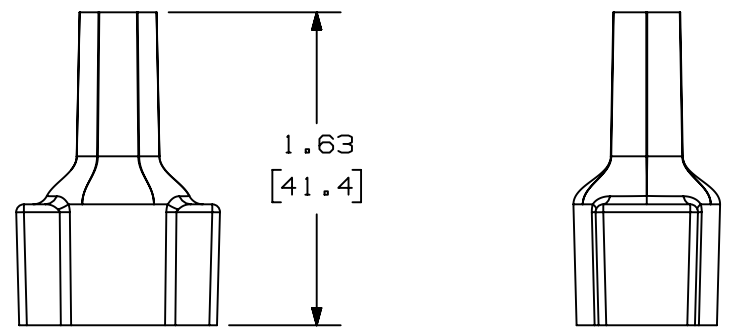
1

THIS COPY IS PROVIDED ON A RESTRICTED BASIS AND IS NOT TO BE USED IN ANY WAY DETRIMENTAL TO THE INTERESTS OF PANDUIT CORP.



NOTES, UNLESS OTHERWISE SPECIFIED:

1. PART NUMBER: TMSTEH-TOOL
2. WEIGHT/100 PIECES:
3. SEE WWW.PANDUIT.COM FOR PART NUMBER SUFFIX DESIGNATION CONCERNING PACKAGE SIZE, PART MATERIAL AND COLOR.
4. ALL MATERIALS AND COMPONENTS USED MEET THE MATERIAL RESTRICTIONS OF RoHS (EUROPEAN DIRECTIVE 2011/65/EU ON THE RESTRICTION OF HAZARDOUS SUBSTANCES) AS PROPOSED BY THE RoHS TECHNICAL ADAPTATION COMMITTEE.
5. DIMENSIONS IN [] ARE METRIC.



TITLE		TMSTEH-TOOL HEAVY DUTY STUD MOUNT SPIN-ON TOOL CONTROL DRAWING		
ITEM REVISION NAME		00150ECY/04		PANDUIT
DATASET FILE NAME		00150ECY_DC/04		
UNLESS OTHERWISE SPECIFIED, DIMENSIONAL TOLERANCES ARE: IN [mm]		MATERIAL:		
.X ± .XXX ± .XX ± ±.030 [0.76] ANGLES ±		GLASS FILLED NYLON 6.6		
THIRD ANGLE PROJECTION		DRAWING NUMBER:		
00150ECY_DC		SHT 1 OF 1		
DRAWN BY	DATE	CHK	SCALE	SIZE
BDK	07.08.19	DAEI	N.T.S.	A

04	07.31.19	BDK	DAEI	TGS	RELEASED TO PRODUCTION	049851
REV	DATE	BY	CHK	APR	DESCRIPTION	ECN

2

1

ANGLOBAL-ASIZE