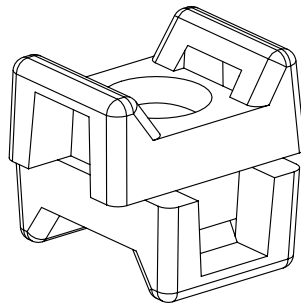
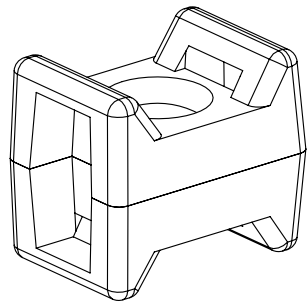
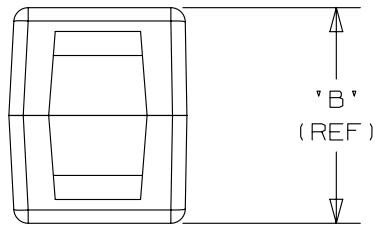
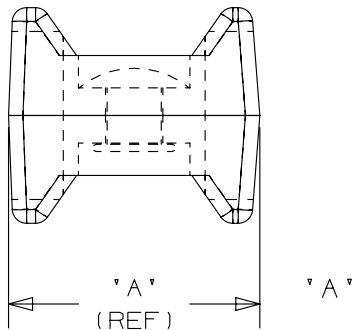
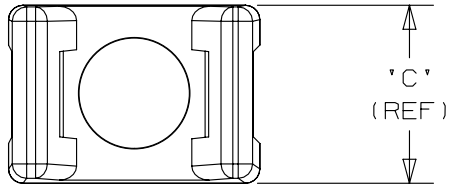


PANDUIT PART NO.*	DIMENSIONS			USE WITH ANY OF THESE CABLE TIES	WEIGHT lbs / 100 (g) / pcs.
	'A'	'B'	'C'		
TM3-X2--	0.87 (22.10)	0.75 (19.05)	0.62 (15.75)	M, I, S, LH	0.97 (439.9)
TM1-X2--	0.52 (13.21)	0.46 (11.68)	0.32 (8.13)	M	0.17 (77.1)



ROTATED 90°

NOTES:

- SEE CURRENT PRICE SHEET FOR PART NUMBER SUFFIX DESIGNATION FOR PACKAGE SIZE AND COLOR OPTIONS.
- CABLE TIE CROSS-SECTION CODE:
M = MINATURE
I = INTERMEDIATE
S = STANDARD
LH = LIGHT HEAVY
- RIVET MATERIAL: 5056-S ALUMINUM

SEE www.panduit.com FOR CURRENT PART NUMBER SUFFIX DESIGNATION, PACKAGE SIZE AND PART COLOR.

DIMENSIONS IN BRACKETS ARE METRIC. {MM}

TITLE				SWIVEL TIE MOUNT - (TM_-X2-_-)			
ITEM REVISION NAME				10B015IN/00			
DATASET FILE NAME				10B015IN/00_DC_GB244BA_REV_05			
UNLESS OTHERWISE SPECIFIED, DIMENSIONAL TOLERANCES ARE: IN [mm]				PANDUIT			
.x ± .1 [2.54] .xxx ± .005 [.127] .xx ± .01 [.25] ANGLES ± 5 °							
				THIRD ANGLE PROJECTION			
DRAWING NUMBER:				GB2446BA			
DRAWN BY	DATE	CHK	SCALE	SHT 1 OF 1		SIZE	
JAD	11/01/00	MPH	1.5X			A4	

5	2/28/13	BWG	MPH	PBC	REMOVED MOUNT MATERIAL NOTE, ADDED STANDARD MATERIAL WWW.PANDUIT.COM NOTE. CREATED NEW CADFILE.	GB2446BA
REV	DATE	BY	CHK	APR	DESCRIPTION	ECN