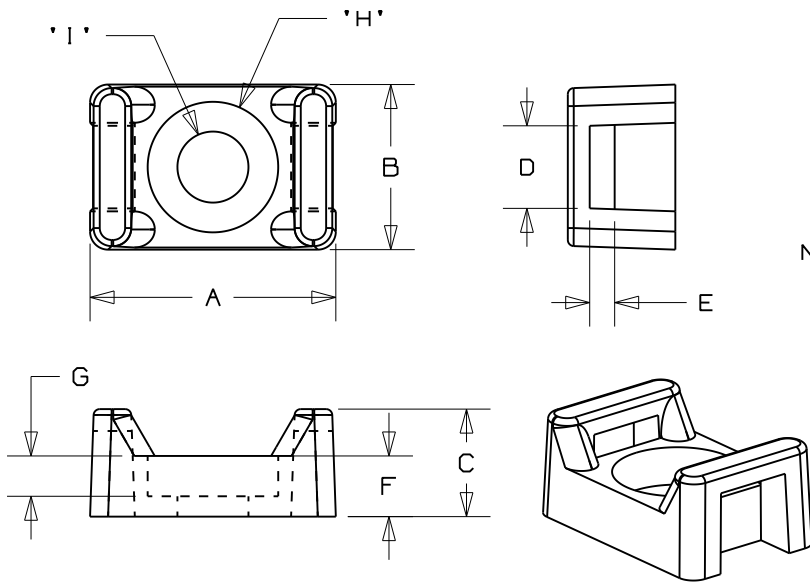


THIS COPY IS PROVIDED ON A RESTRICTED BASIS AND IS NOT TO BE USED IN ANY WAY DETRIMENTAL TO THE INTERESTS OF PANDUIT CORP.

PANDUIT PART #	RECOMMENDED FASTENER	A	B	C	D +.015 (+.38) -.005 (-.13)	E	F	G (REF)	H (REF)	I (REF)	USE WITH CABLE TIE CROSS SECTIONS	WEIGHT 100 pcs lbs (g)
TM2S8-86	#8 (M4) SCREW	.630 (16.0)	.422 (10.7)	.275 (7.0)	.215 (5.5)	.064 (1.6)	.155 (3.9)	.105 (2.7)	.325 (8.3)	.178 (4.5)	MINIATURE INTERMEDIATE STANDARD	.12 (54)
TM3S8-86		.867 (22.0)	.614 (15.6)	.373 (9.5)	.322 (8.2)	.087 (2.2)	.209 (5.3)	.114 (2.9)	.325 (8.3)	.178 (4.5)	STANDARD LIGHT HEAVY	.39 (177)
TM3S10-86	#10 (M5) SCREW	.867 (22.0)	.614 (15.6)	.373 (9.5)	.322 (8.2)	.087 (2.2)	.209 (5.3)	.114 (2.9)	.385 (9.8)	.200 (5.1)		



NOTES:

1. SEE CURRENT PRICE SHEET FOR PART NUMBER SUFFIX DESIGNATION FOR PACKAGE SIZE.
2. COUNTERBORE HOLE TO PROVIDE LESS OF AN OBSTRUCTION TO THE BUNDLE.
3. UNIQUE CRADLE DESIGN PROVIDES MAXIMUM STABILITY AND RIGIDITY TO THE WIRE BUNDLE.

DIMENSIONS IN PARENTHESIS ARE IN METRIC UNITS

CAD FILENAME/LAYERS W10001CS/01 SS-27606

PANDUIT CORP. TINLEY PARK, ILLINOIS  
 TM2, TM3 TIE MOUNTS  
 METAL DETECTABLE NYLON SERIES

UNLESS OTHERWISE SPECIFIED, DIMENSIONAL TOLERANCES ARE:  
 (.X) ± .1 (2.5) (XXX) ± .020 (.51)  
 (.XX) ± .02 (.51) ANGLES ± 5°

UNLESS OTHERWISE SPECIFIED, ALL DIMENSIONS ARE GIVEN IN INCHES, THIRD ANGLE PROJECTION.

REV	DATE	BY	CHK	DESCRIPTION	ECN	R	CUST	SUP
I	9/22/08	ERW		CHANGED TM3S8 'H' DIMENSION FROM .385 TO .325	SS-27606	I		
R	9/10/08	ERW	TGS	DRAWING RELEASED	SS-27606	R	TGS	

DRAWN BY ERW	MAT'L: NYLON 6.6 COLOR: -86 BLUE	SCALE NONE
DATE 9/10/08		DRAWING NO. SS-27606
CHK'D TGS		DWG SIZE A