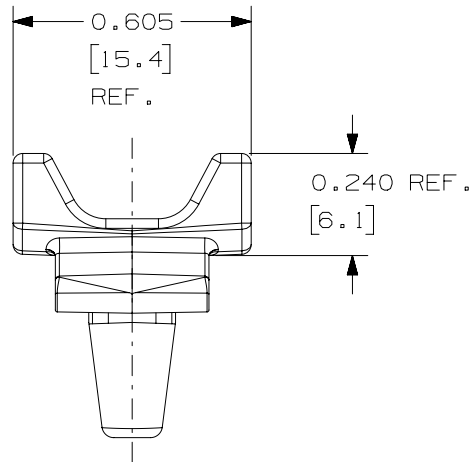
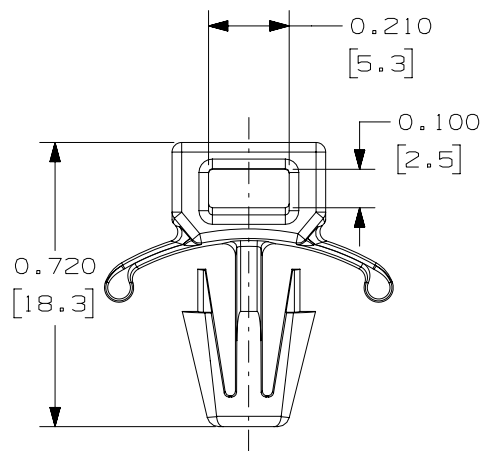
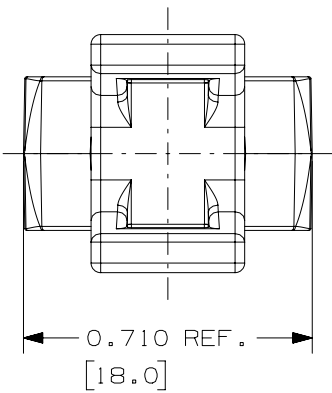


THIS COPY IS PROVIDED ON A RESTRICTED BASIS AND IS NOT TO BE USED IN ANY WAY DETRIMENTAL TO THE INTERESTS OF PANDUIT CORP.



PANDUIT PART NO. *	USE WITH CABLE TIE **	PANEL DIMENSIONS		WEIGHT LBS./100 PCS. (g)
		THICKNESS	HOLE SIZE	
TM2PWH25	M, I, S	.09 [2.3] MAX.	.25 ±0.005 [6.4 ±0.127]	.19 LBS. [85.6 g]



NOTES:

- * 1. SEE CURRENT PRICE SHEET FOR PART NUMBER SUFFIX DESIGNATION, PACKAGE SIZE, AND COLOR.
- ** 2. CABLE TIE CROSS SECTION CODE:
M = MINIATURE
I = INTERMEDIATE
S = STANDARD
LH = LIGHT HEAVY
H = HEAVY
- 3. BAG MAY CONTAIN EXTRA PIECES TO COMPENSATE FOR VARIANCE IN THE PACKAGING PROCESS. PANDUIT ASSURES MINIMUM PIECE COUNT AS STATED ON THE BAG.



REV	DATE	BY	CHK	APR	DESCRIPTION	ECN
02	2/02/2021	RVU	JADE	RMHI	ADDED TOLERANCE TO CLARIFY APPLICATION HOLE DIAMETER. ADDED NOTE 3.	GAECN05561
01	1/30/17	RVU	DJW	JHAC	REBUILD MODEL. NEW DWG. BORDER.	GAECN03961
00B	5/13/10	ARHA			ADJUSTED WINDOW HEIGHT FROM .120; ADDED 'REF' NOTES TO SIDE VIEW DIMS;	GB0239JJ
R	9/4/02	LGG			INITIAL RELEASE. REPLACED G-02169.	GB0239JJ

TITLE PUSH BARB TIE MOUNT TM2PWH25 CUSTOMER DRAWING					
ITEM REVISION NAME G03597JW/04					
DATASET FILE NAME G03597JW_DC_GB0239JJ_02/04					
UNLESS OTHERWISE SPECIFIED, DIMENSIONAL TOLERANCES ARE: IN [mm] .x ± .1 [2.54] .xxx ± .020 [.5] .xx ± .05 [1.3] ANGLES ± 5 °					
THIRD ANGLE PROJECTION					
DRAWN BY: LGG DATE: 9/4/02 CHK: JHAC SCALE: 2:1					
MATERIAL: PANDUIT NYLON 6/6					
DRAWING NUMBER: GB0239JJ					
SHT 1 OF 1					

D10100DA/20