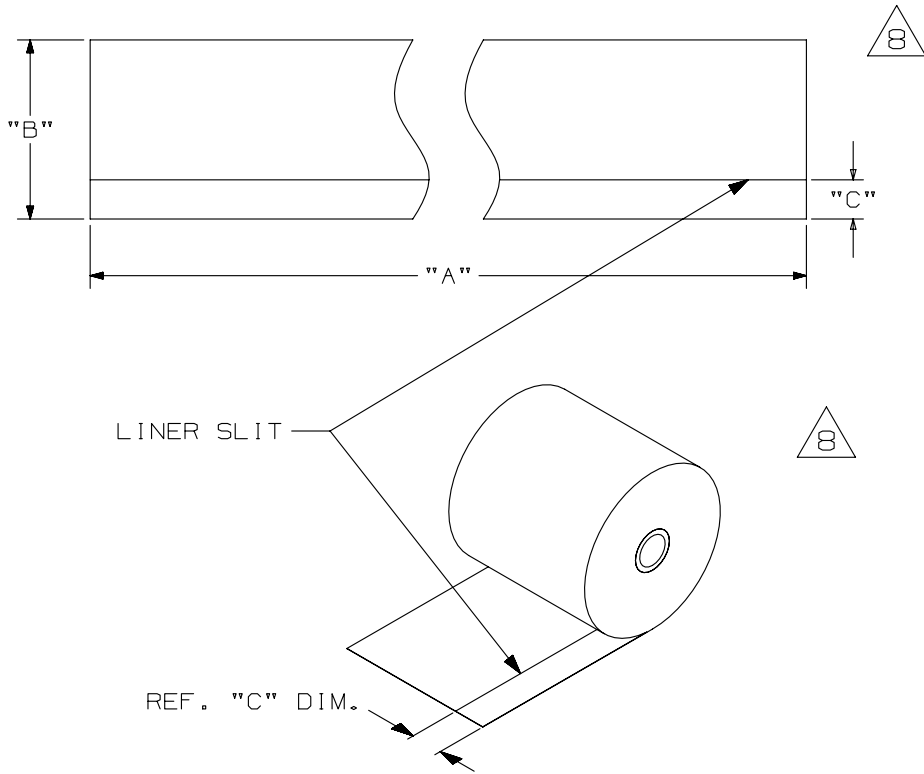


THIS COPY IS PROVIDED ON A RESTRICTED BASIS AND IS NOT TO BE USED IN ANY WAY DETRIMENTAL TO THE INTERESTS OF PANDUIT CORP.

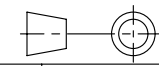


PART NO.	"A" FT. [m]	"B" in. [mm]	"C" +/- .031 in. [mm]	MATERIAL	COLOR
T100X000VP1Y	100 (30.5)	1.00 (25.40)	0.125 (3.18)	VINYL, GMV14	WHITE
T100X000VQ1Y	100 (30.5)	1.00 (25.40)	0.125 (3.18)	VINYL, GMV15	BLUE
T100X000VS1Y	100 (30.5)	1.00 (25.40)	0.125 (3.18)	VINYL, GMV14	GREEN
T100X000VU1Y	100 (30.5)	1.00 (25.40)	0.125 (3.18)	VINYL, GMV14	ORANGE
T100X000W1Y	100 (30.5)	1.00 (25.40)	0.125 (3.18)	VINYL, GMV14	RED
T100X000VX1Y	100 (30.5)	1.00 (25.40)	0.125 (3.18)	VINYL, GMV14	YELLOW
T100X000VY1Y	100 (30.5)	1.00 (25.40)	0.125 (3.18)	VINYL, GMV15	BLACK
T100X000YK1	100 (30.5)	1.00 (25.40)	0.125 (3.18)	POLYESTER, GMY4-C	CLEAR
T200X000VP1Y	100 (30.5)	2.00 (50.80)	0.125 (3.18)	VINYL, GMV14	WHITE
T200X000VQ1Y	100 (30.5)	2.00 (50.80)	0.125 (3.18)	VINYL, GMV15	BLUE
T200X000VR1Y	100 (30.5)	2.00 (50.80)	0.125 (3.18)	VINYL, GMV14	BROWN
T200X000VS1Y	100 (30.5)	2.00 (50.80)	0.125 (3.18)	VINYL, GMV14	GREEN
T200X000VT1Y	100 (30.5)	2.00 (50.80)	0.125 (3.18)	VINYL, GMV14	GRAY
T200X000VU1Y	100 (30.5)	2.00 (50.80)	0.125 (3.18)	VINYL, GMV14	ORANGE
T200X000VV1Y	100 (30.5)	2.00 (50.80)	0.125 (3.18)	VINYL, GMV15	PURPLE
T200X000W1Y	100 (30.5)	2.00 (50.80)	0.125 (3.18)	VINYL, GMV14	RED
T200X000VX1Y	100 (30.5)	2.00 (50.80)	0.125 (3.18)	VINYL, GMV14	YELLOW
T200X000VY1Y	100 (30.5)	2.00 (50.80)	0.125 (3.18)	VINYL, GMV15	BLACK
T200X000Y2T	15 (4.5)	2.00 (50.80)	0.125 (3.18)	PHOTOLUMINESCENT POLYESTER, GMY-GLOW	PHOTOLUMINESCENT GREEN
T200X000YK1	100 (30.5)	2.00 (50.80)	0.125 (3.18)	POLYESTER, GMY4-C	CLEAR
T225X000YK1	100 (30.5)	2.25 (57.15)	0.125 (3.18)	POLYESTER, GMY4-C	CLEAR
T400X000VP1Y	100 (30.5)	4.00 (101.60)	0.125 (3.18)	VINYL, GMV14	WHITE
T400X000VQ1Y	100 (30.5)	4.00 (101.60)	0.125 (3.18)	VINYL, GMV15	BLUE
T400X000VR1Y	100 (30.5)	4.00 (101.60)	0.125 (3.18)	VINYL, GMV14	BROWN
T400X000VS1Y	100 (30.5)	4.00 (101.60)	0.125 (3.18)	VINYL, GMV14	GREEN
T400X000VT1Y	100 (30.5)	4.00 (101.60)	0.125 (3.18)	VINYL, GMV14	GRAY
T400X000VU1Y	100 (30.5)	4.00 (101.60)	0.125 (3.18)	VINYL, GMV14	ORANGE
T400X000VV1Y	100 (30.5)	4.00 (101.60)	0.125 (3.18)	VINYL, GMV15	PURPLE
T400X000W1Y	100 (30.5)	4.00 (101.60)	0.125 (3.18)	VINYL, GMV14	RED
T400X000VX1Y	100 (30.5)	4.00 (101.60)	0.125 (3.18)	VINYL, GMV14	YELLOW
T400X000VY1Y	100 (30.5)	4.00 (101.60)	0.125 (3.18)	VINYL, GMV15	BLACK
T400X000Y2T	15 (4.5)	4.00 (101.60)	0.125 (3.18)	PHOTOLUMINESCENT POLYESTER, GMY-GLOW	PHOTOLUMINESCENT GREEN
T400X000YK1	100 (30.5)	4.00 (101.60)	0.125 (3.18)	POLYESTER, GMY4-C	CLEAR
T425X000YK1	100 (30.5)	4.25 (107.95)	0.125 (3.18)	POLYESTER, GMY4-C	CLEAR

NOTES:
1. RESIN RIBBON
RECOMMENDED.

REV	DATE	BY	CHK	APR	DESCRIPTION	ECN
8	11/3/14	RVU	SEWH	MSAD	UPDATE TOLERANCE, NOTES, TABLE AND TITLE.	GAECN01787
7	6/21/12	RVU			CHANGE GMV15 INSTEAD OF GMV14 (for the black and purple parts only).	GAECN00035
6	5/7/12	RVU			GMV14 CHANGES TO GMV15.	6778

TITLE				
THERMAL TRANSFER CONTINUOUS TAPES				
CONTROL DRAWING				
ITEM REVISION NAME		100472ER/12		
DATASET FILE NAME		100472ER_DC_C10274/12J		
UNLESS OTHERWISE SPECIFIED, DIMENSIONAL TOLERANCES ARE: IN [mm]		PANDUIT		
.x ± .12 [3.04] .xxx ± .025 [.635] .xx ± .062 [1.57] ANGLES ±				
DRAWING NUMBER:		C10274		
DRAWN BY	DATE	CHK	SCALE	SIZE
RVU	10/25/06	MSAD	NTS	A



THIRD ANGLE
PROJECTION