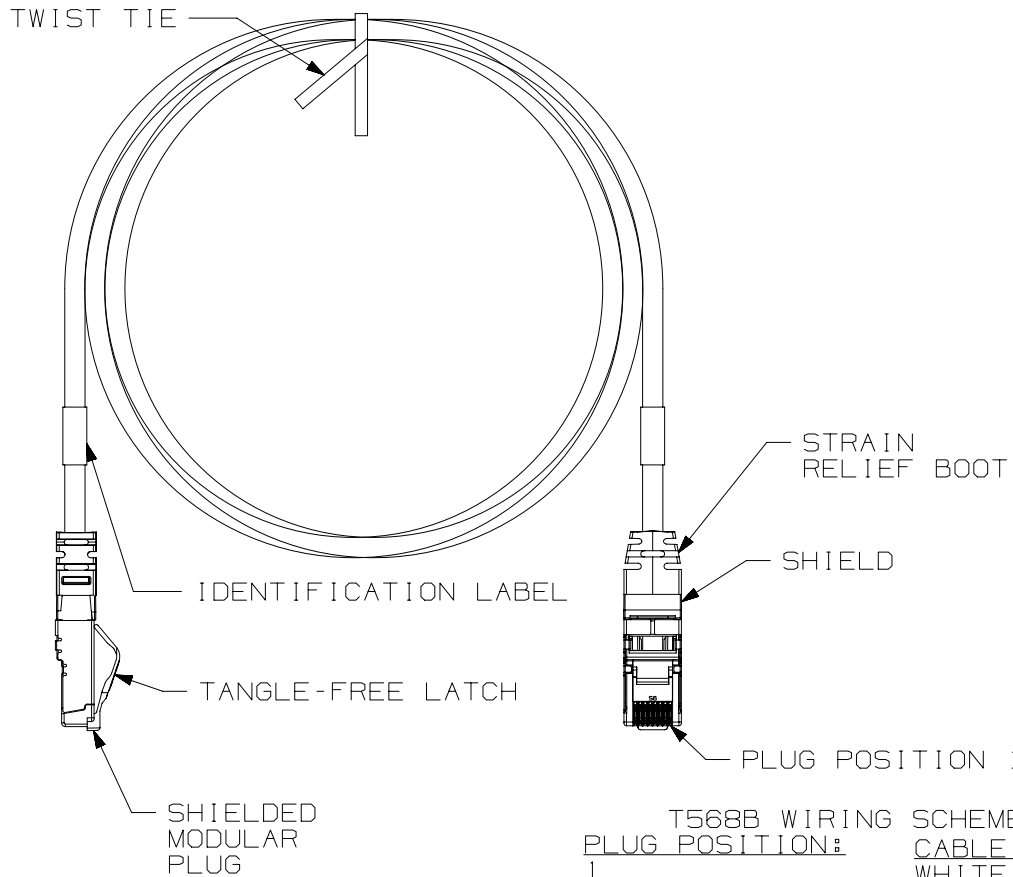


THIS COPY IS PROVIDED ON A RESTRICTED BASIS AND IS NOT TO BE USED IN ANY WAY DETRIMENTAL TO THE INTERESTS OF PANDUIT CORP.



NOTES:

- \*\*1. SEE CURRENT CATALOG FOR VARIOUS APPLICATIONS AND TO INDICATE COLOR AND OR PACKAGE QUANTITY.
- 2. SEE CATALOG FOR A COMPLETE LIST OF PARTS APPLICABLE FOR USE WITH THIS PART.
- 3. TERMINATED WITH (8 POSITION) SHIELDED MODULAR PLUGS AT BOTH ENDS PER T568B.
- 4. CONSTRUCTED WITH 26AWG STRANDED CAT6A FULLY SHIELDED, TWISTED PAIR LSZH/CM S/FTP PATCH CABLE.
- 5. NOMINAL CABLE JACKET DIAMETER IS 0.248 IN (6.30MM).
- 6. MATERIALS:  
 PLUG: POLYCARBONATE  
 PLUG SHIELD: PLATED CARTRIDGE BRASS  
 CABLE SHIELD: ALUMINUM  
 BOOT: TPE

| CABLE COLORS       | ** = COLOR |
|--------------------|------------|
| INTERNATIONAL GRAY | IG         |
| BLACK              | BL         |
| BLUE               | BU         |
| RED                | RD         |
| YELLOW             | YL         |
| GREEN              | GR         |
| ORANGE             | OR         |
| VIOLET             | VL         |
| PASTEL BLUE        | PB         |

T568B WIRING SCHEME  
 PLUG POSITION:  
 1  
 2  
 3  
 4  
 5  
 6  
 7  
 8

CABLE WIRE:  
 WHITE/ORANGE  
 ORANGE  
 WHITE/GREEN  
 BLUE  
 WHITE/BLUE  
 GREEN  
 WHITE/BROWN  
 BROWN

SEE SHEET 2 FOR PATCH CORD LENGTHS AND PART NUMBERS

|   |             |                    |       |
|---|-------------|--------------------|-------|
| PART NUMBER   |             | STP6X**            |       |
| TITLE   |             |                    |       |
| TX6A 10GIG SHIELDED PATCH CORDS (CM/LSZH)                         |             |                    |       |
| CUSTOMER DRAWING  |             |                    |       |
| ITEM REVISION NAME  |             | M02085BA/28        |       |
| DATASET FILE NAME   |             | M02085BA_DC01/28A  |       |
| UNLESS OTHERWISE SPECIFIED, DIMENSIONAL TOLERANCES ARE: IN [ mm ] |             | MATERIAL:          |       |
| .x ±  |             | .xxx ± .010 [ .3 ] |       |
| .xx ± .03 [ .8 ]  |             | ANGLES ±           |       |
| THIRD ANGLE PROJECTION  |             | DRAWING NUMBER:    |       |
| 02085-01  |             | SHT 1 OF 2         |       |
| DRAWN BY  | DATE        | CHK                | SCALE |
| MDJr  | 8-29-02     | CEF                | NONE  |
| REV   | DATE        | BY                 | CHK   |
| APR   | DESCRIPTION | ECN                | SIZE  |
|   |             |                    | A     |

| REV | DATE     | BY   | CHK  | APR  | DESCRIPTION  | ECN      |
|-----|----------|------|------|------|--|----------|
| 12  | 12-19-17 | MDJR | MATO | SRSE | ADDED PASTEL BLUE COLOR.                               | 02085-01 |
| 11  | 9-30-15  | BJN  | JAV  | TMBA | UPDATED  | 02085-01 |
| 10  | 4-25-14  | BJN  | JSP  | EJH  | REVISED & REDRAWN PREVIOUS REVISIONS REMVD FOR CLARITY | 02085-01 |

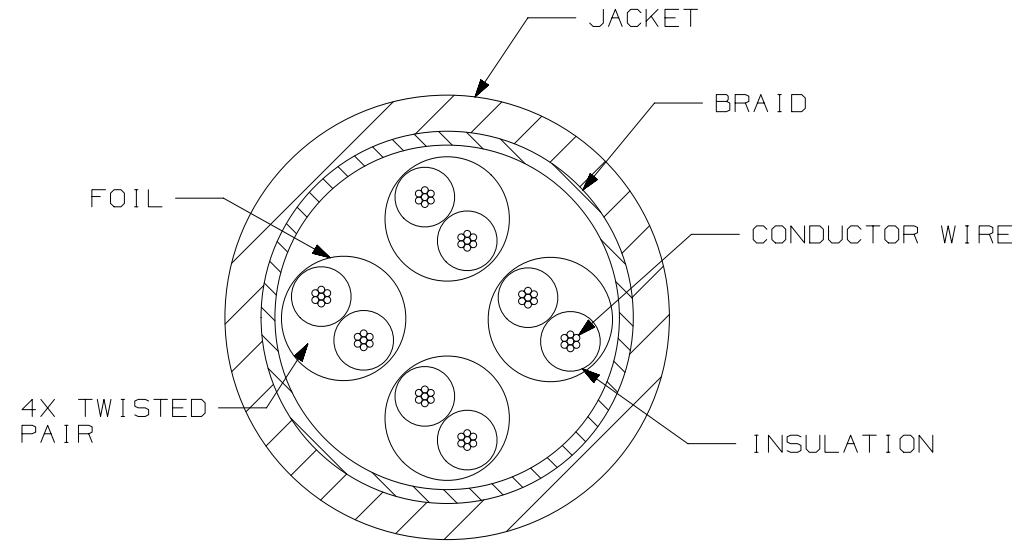


D10100DA/14

THIS COPY IS PROVIDED ON A RESTRICTED BASIS AND IS NOT TO BE USED IN ANY WAY DETRIMENTAL TO THE INTERESTS OF PANDUIT CORP.

TX6A 10GIG SHIELDED PATCH CORDS

| PANDUIT PART NUMBER | MIN. CABLE LENGTH | PANDUIT PART NUMBER | MIN. CABLE LENGTH |
|---------------------|-------------------|---------------------|-------------------|
| STP6X2**            | 2 FT.             | STP6X0.5M**         | 0.5 METER         |
| STP6X3**            | 3 FT.             | STP6X1M**           | 1 METER           |
| STP6X4**            | 4 FT.             | STP6X1.5M**         | 1.5 METER         |
| STP6X5**            | 5 FT.             | STP6X2M**           | 2 METERS          |
| STP6X6**            | 6 FT.             | STP6X2.5M**         | 2.5 METER         |
| STP6X7**            | 7 FT.             | STP6X3M**           | 3 METERS          |
| STP6X8**            | 8 FT.             | STP6X4M**           | 4 METERS          |
| STP6X9**            | 9 FT.             | STP6X5M**           | 5 METERS          |
| STP6X10**           | 10 FT.            | STP6X6M**           | 6 METERS          |
| STP6X11**           | 11 FT.            | STP6X7M**           | 7 METERS          |
| STP6X12**           | 12 FT.            | STP6X8M**           | 8 METERS          |
| STP6X13**           | 13 FT.            | STP6X9M**           | 9 METERS          |
| STP6X14**           | 14 FT.            | STP6X10M**          | 10 METERS         |
| STP6X15**           | 15 FT.            | STP6X15M**          | 15 METERS         |
| STP6X16**           | 16 FT.            | STP6X20M**          | 20 METERS         |
| STP6X17**           | 17 FT.            | STP6X25M**          | 25 METERS         |
| STP6X18**           | 18 FT.            | STP6X30M**          | 30 METERS         |
| STP6X19**           | 19 FT.            | STP6X35M**          | 35 METERS         |
| STP6X20**           | 20 FT.            | STP6X40M**          | 40 METERS         |
| STP6X25**           | 25 FT.            |                     |                   |
| STP6X30**           | 30 FT.            |                     |                   |
| STP6X35**           | 35 FT.            |                     |                   |
| STP6X40**           | 40 FT.            |                     |                   |



CROSS-SECTIONAL VIEW OF CABLE

|   |             |                   |       |
|---|-------------|-------------------|-------|
| PART NUMBER   |             | STP6X**           |       |
| TITLE   |             |                   |       |
| TX6A 10GIG SHIELDED PATCH CORDS (CM/LSZH)                         |             |                   |       |
| CUSTOMER DRAWING  |             |                   |       |
| ITEM REVISION NAME  |             | M02085BA/28       |       |
| DATASET FILE NAME   |             | M02085BA_DC01/28A |       |
| UNLESS OTHERWISE SPECIFIED, DIMENSIONAL TOLERANCES ARE: IN [ mm ] |             | MATERIAL:         |       |
| .x ± .xx ± .03 [ .8 ]   |             | SEE NOTE 6        |       |
| .xxx ± .010 [ .3 ]  |             | DRAWING NUMBER:   |       |
| ANGLES ±  |             | 02085-01          |       |
| THIRD ANGLE PROJECTION  |             | SHT 2 OF 2        |       |
| DRAWN BY  | DATE        | CHK               | SCALE |
| MDJr  | 8-29-02     | CEF               | NONE  |
| REV   | DATE        | BY                | CHK   |
|   |             |                   |       |
| APR   | DESCRIPTION |                   | ECN   |
|   |             |                   |       |

| REV | DATE     | BY   | CHK  | APR  | DESCRIPTION                      | ECN      |
|-----|----------|------|------|------|----------------------------------|----------|
| 12  | 12-19-17 | MDJR | MATO | SRSE | SEE SHEET 1 FOR REVISION HISTORY | 02085-01 |
| 11  | 9-30-15  | BJN  | JAV  | TMBA | SEE SHEET 1 FOR REVISION HISTORY | 02085-01 |
| 10  | 4-25-14  | BJN  | JSP  | EJH  | SEE SHEET 1 FOR REVISION HISTORY | 02085-01 |

D10100DA/14