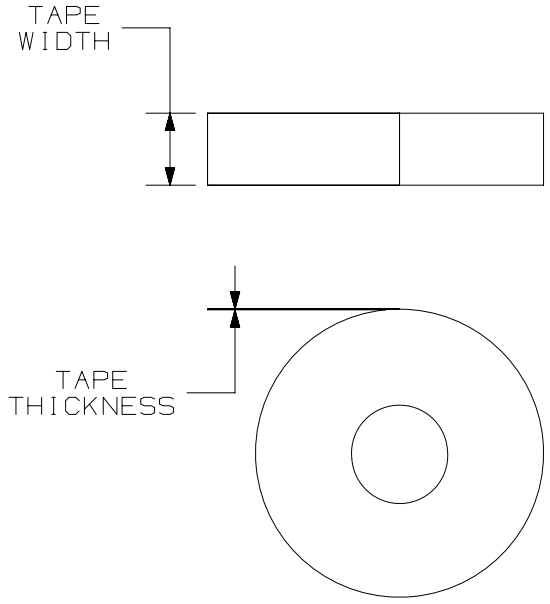


THIS COPY IS PROVIDED ON A RESTRICTED BASIS AND IS NOT TO BE USED IN ANY WAY DETRIMENTAL TO THE INTERESTS OF PANDUIT CORP.

Part Number	Width in. (mm)	Length ft. (m)	Thickness in. (mm)	Package per Roll	Description	Weight oz. (gram)
ST88-075-66BK	.75 (19)	66 (20)	.0085 (.21)	Plastic Can	Heavy Duty ST88 Black, .75" x 66'X .0085"	3.7 (105)
ST88-100-108BK	1.0 (25)	108 (33)	.0085 (.21)	Cello / Label	Heavy Duty ST88 Black, 1.00" x 108'X.0085"	6.3 (179)
ST88-150-66BK	1.5 (38)	66 (20)	.0085 (.21)	Cello / Label	Heavy Duty ST88 Black, 1.50" x 66'X.0085"	7 (200)
ST88-200-66BK	2.0 (50)	66 (20)	.0085 (.21)	Cello / Label	Heavy Duty ST88 Black, 2.00" x 66'X.0085"	10 (284)



- NOTES:
- VISIT OUR ON-LINE CATALOG AT WWW.PANDUIT.COM FOR A LIST OF CURRENT PARTS APPLICABLE FOR USE WITH THIS PRODUCT.
 - ALL MATERIALS AND COMPONENTS USED MEET THE MATERIAL RESTRICTIONS OF RoHS (EUROPEAN DIRECTIVE 2011/65/EU ON THE RESTRICTION OF HAZARDOUS SUBSTANCES) AS PROPOSED BY THE RoHS TECHNICAL ADAPTATION COMMITTEE.
 - MATERIAL: RUBBER ADHESIVE PRESSURE SENSITIVE VINYL TAPE.
 - TEMPERATURE RATING: -18 °C TO 105 °C.
 - DIELECTRICAL STRENGTH: 7000V.
 - FLAME RETARDANT.
 - MEETS ASTM D 3005 (TYPE 1), EN 60454-3-1 (TYPE 1), UL-510 AND CSA C 22.2 NO. 197.
 - COMPLIANT TO CALIFORNIA PROP. 65
 - THE INSULATING TAPE COLOR IS BLACK.
 - THE LENGTH TOLERANCE IS MIN. 0.1 METER, MAX. 0.40 METER.
 - THE THICKNESS TOLERANCE IS ±0.05 MM. THE WIDTH TOLERANCE IS ± 2 MM.



PART NUMBER	SEE TABLE	PACKAGING SPEC	PKG-515
PRODUCT SPEC	PS-SH-002	TITLE	
Stronghold Insulating Tape-Heavy Duty ST88 Tape			
CUSTOMER DRAWING			
ITEM REVISION NAME	00351EBQ/00	PANDUIT	
DATASET FILE NAME	00351EBQ_DC/00		
UNLESS OTHERWISE SPECIFIED, DIMENSIONAL TOLERANCES ARE: IN (mm)		MATERIAL:	
.x ± .1 [2.54] .xxx ± .005 [.127]		SEE NOTE3	
.xx ± .01 [.25] ANGLES ± 1°		DRAWING NUMBER:	
		00351EBQ_DC	
DRAWN BY	DATE	CHK	SCALE
JSUN	04/25/2019	DMWO	NONE
REV	DATE	BY	DESCRIPTION
00	04/25/2019	JSUN	DMWO
01		JHAC	INITIAL RELEASE
			ECN
			046/172/00
SHT 1 OF 1		A	

ANGLOBAL_A-SIZE