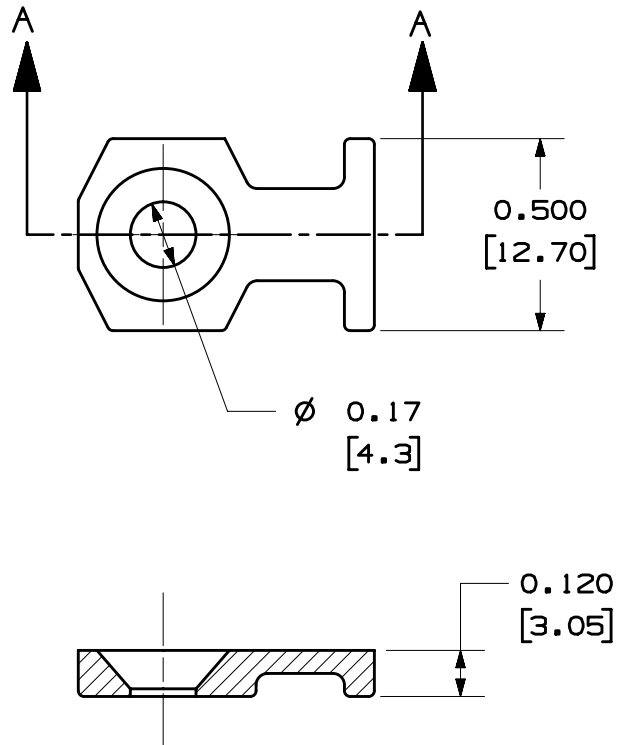


THIS COPY IS PROVIDED ON A RESTRICTED BASIS AND IS NOT TO BE USED IN ANY WAY DETRIMENTAL TO THE INTERESTS OF PANDUIT CORP.

PANDUIT PART NUMBER	RECOMMENDED FASTENER
SSMLP	#8 [M4] SCREW COUNTERSUNK



SECTION A - A

NOTE:

- SEE WWW.PANDUIT.COM FOR PART NUMBER SUFFIX DESIGNATION FOR PACKAGE SIZE, PART MATERIAL, PART COLOR AND THIRD PARTY RECOGNITION OR COMPLIANCE.
- DIMENSIONAL TOLERANCES ARE: IN [mm]
 - .x ± 0.05 [1.3]
 - .xx ± 0.02 [0.5]
 - .xxx ± 0.010 [0.25]
 ANGLES ±5°

PART NUMBER		SSMLP	
TITLE			
STRONGHOLD LOW PROFILE MOUNTS SCREW APPLIED			
CUSTOMER DRAWING			
ITEM REVISION NAME		00586EBF/00	
DATASET FILE NAME		00586EBF_DC/00A	
		THIRD ANGLE PROJECTION	
MATERIAL		NYLON 6/6	
DRAWING NUMBER		00586EBF_DC	
DRAWN BY	DATE	CHK	SCALE
JBN	02-07-20	BMAG	NONE
SHEET 1 OF 1		A	

00A	03-10-20	JBN	BMAG	RGB JHAC	RELEASE	077324
REV	DATE	BY	CHK	APR	DESCRIPTION	ECN

A-SIZE CUSTOMER