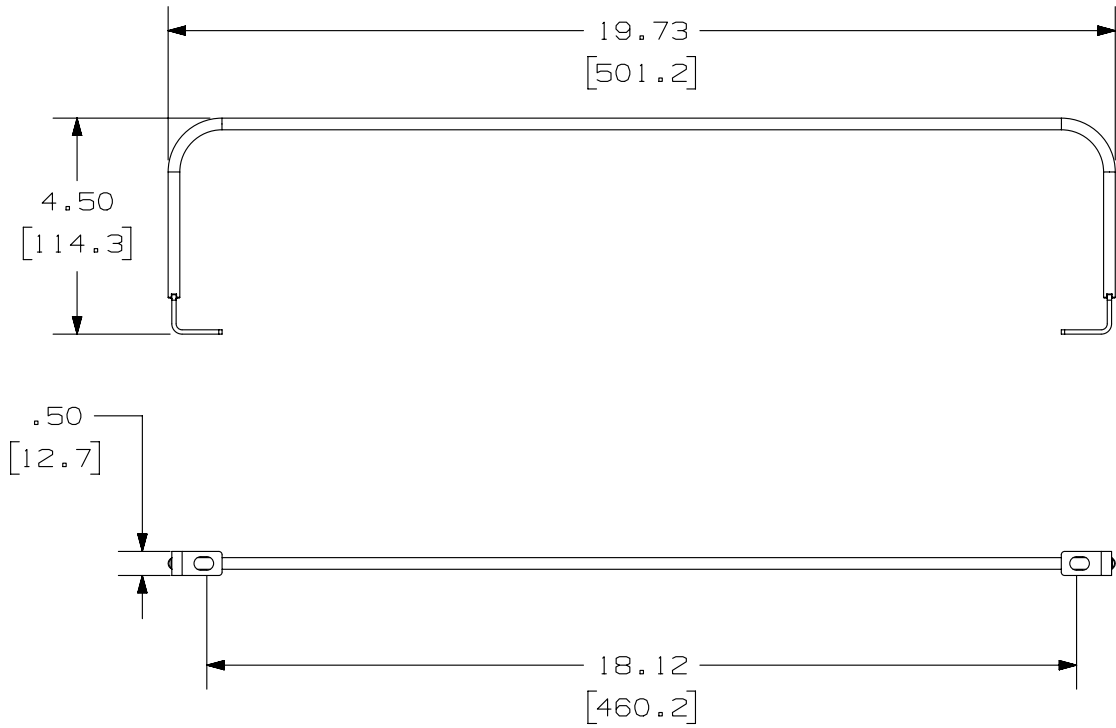
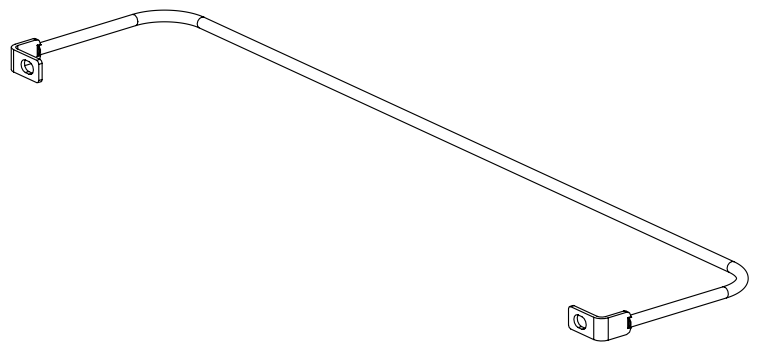


THIS COPY IS PROVIDED ON A RESTRICTED BASIS AND IS NOT TO BE USED IN ANY WAY DETRIMENTAL TO THE INTERESTS OF PANDUIT CORP.



PANDUIT P/N	WEIGHT
SRB19D5BL	.37 LB/EACH PC (169.1 g/EACH PC)

- NOTES:
- SEE CURRENT CATALOG FOR ADDITIONAL PART NUMBER SUFFIXES TO INDICATE COLOR AND OR PACKAGE QUANTITY.
 - SEE CATALOG FOR COMPLETE LIST OF PARTS APPLICABLE FOR USE WITH THIS PART.
 - DIMENSIONS IN PARENTHESES ARE IN METRIC.
 - PART INCLUDES:
 - 1- EXTENDED STRAIN RELIEF BAR
 - 1- #12-24 SCREW KIT (INCLUDES 4 SCREWS)
 - 1- M6 SCREW KIT (INCLUDES 4 SCREWS)



PART NUMBER		SRB19D5BL	
TITLE		EXTENDED STRAIN RELIEF BAR	
		CUSTOMER DRAWING	
ITEM REVISION NAME		M03137BC/02	
DATASET FILE NAME		M03137BC_DC/02B	
UNLESS OTHERWISE SPECIFIED, DIMENSIONAL TOLERANCES ARE: IN [mm]		MATERIAL:	
.x ± .xxx ± .010 [.3]		STEEL BAR STOCK	
.xx ± .03 [.8] ANGLES ±		DRAWING NUMBER:	
THIRD ANGLE PROJECTION		03137-06	
DRAWN BY	DATE	CHK	SCALE
JSP	1-14-09	TCK	NONE
REV	DATE	BY	CHK
1	4-30-14	BJN	JSP
APR	DESCRIPTION		ECN
	REVISED & REDRAWN PREVIOUS REVISIONS REMOVED FOR CLARITY		03137-06
SHT 1 OF 1		SIZE A	

D10100DA/14

2

1

2

1