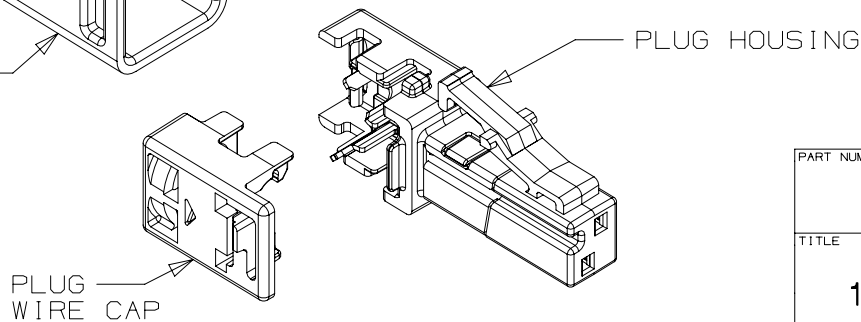
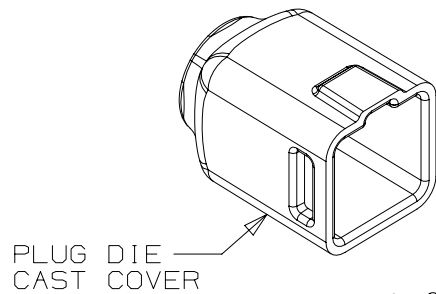
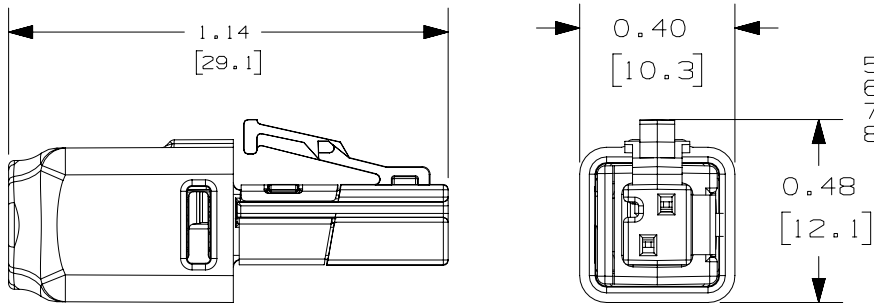


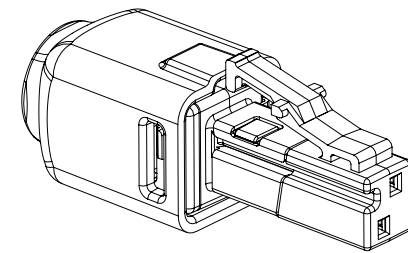
THIS COPY IS PROVIDED ON A RESTRICTED BASIS AND IS NOT TO BE USED IN ANY WAY DETRIMENTAL TO THE INTERESTS OF PANDUIT CORP.

NOTES:

1. VISIT OUR ON-LINE CATALOG AT WWW.PANDUIT.COM FOR A LIST OF CURRENT PARTS APPLICABLE FOR USE WITH THIS PRODUCT.
2. DIMENSIONS IN [] ARE METRIC.
3. WEIGHT: 0.0009 LB [3.7g] EA
4. PART INCLUDES:
 - 1- PLUG HOUSING: POLYCAEBONATE WITH UL94V-0 FALME RATING
 - 1- SHIELD & IDCs: PHOSPHOR BRONZE
5. TERMINATES 18AWG STRANDED STP CABLE
6. SEE INSTALLATION INSTRUCTIONS FOR PROPER TERMINATION METHODS.
7. STORAGE TEMPERATURE: -40°F TO +167°F (-40°C TO +75°C)
8. STORAGE TEMPERATURE: -40°F TO +167°F (-40°C TO +75°C)



FINISHED GOOD PLUG COMPONENTS
PARTS TO BE SUPPLIED
SEPARATELY IN A BAG.
CUSTOMER TO ASSEMBLE.



ASSEMBLED VIEW

PART NUMBER		SP-1LSA22BL		
TITLE		18 AWG SHIELDED SINGLE PAIR PLUG ASSEMBLY		
ITEM REVISION NAME		CUSTOMER DRAWING		
DATASET FILE NAME		00416EAS/05		
		00416EAS_DC/05A		
MATERIAL		SEE NOTE 4		
DRAWING NUMBER		00416EAC-DC		
THIRD ANGLE PROJECTION				
REV	DATE	BY	CHK	APR
05A	10-28-20	BJN	SWL	TMBA
RELEASED TO PRODUCTION				
ECN				
00416EAS-DC				
SHEET 1 OF 1		A		

A-SIZE CUSTOMER