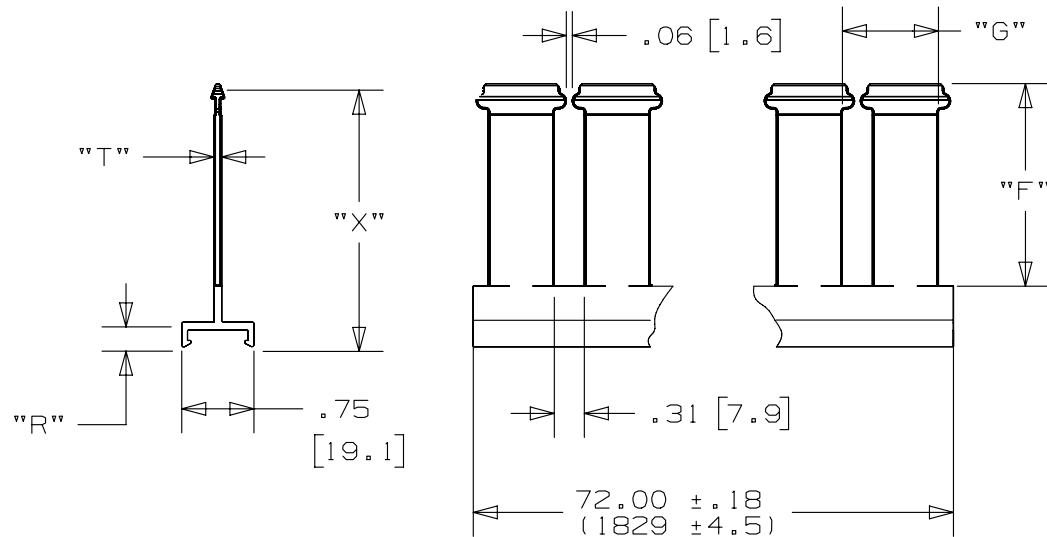


THIS COPY IS PROVIDED ON A RESTRICTED BASIS AND IS NOT TO BE USED IN ANY WAY DETRIMENTAL TO THE INTERESTS OF PANDUIT CORP.

PANDUIT P/N	"X"	"T"	"R"	"F"	"G"	WEIGHT
SD2H6	1.785 ±.030 (45.34 ±.8)	.065 ±.012 (1.7 ±.3)	.235 ±.027 (6.0 ±.7)	1.180 ±.030 (29.9 ±.8)	.80 ±.04 (2.0 ±1.0)	.077 LB/FT (.115 Kg/M)
SD3H6	2.743 ±.050 (69.67 ±1.3)	.085 ±.016 (2.1 ±.4)	.255 ±.027 (6.48 ±.7)	2.108 ±.030 (55.4 ±.8)	1.00 ±.04 (25.4 ±1.0)	.132 LB/FT (.197 Kg/M)
SD4H6	3.533 ±.0.06 (89.75 ±1.52)	.110 ±.020 (2.8 ±.5)	.255 ±.027 (6.48 ±.7)	2.903 ±.030 (73.7 ±.8)	1.00 ±.04 (25.4 ±1.0)	.288 LB/FT (.429 Kg/M)



NOTES:

1. SEE CURRENT CATALOG FOR ADDITIONAL PART SUFFIXES TO INDICATE COLOR AND OR PACKAGE QUANTITY.
2. THIS PART IS INTENDED TO BE USED WITH MOUNTING BASE DB-C OR DBM-C IN ORDER TO SUCCEED AS A DIVIDER WALL APPLICATION.
3. DIMENSIONS IN PARENTHESES ARE METRIC.



TITLE		SLOTTED DIVIDER WALL FOR WIRING DUCT (SD2H6, SD3H6, SD4H6)		
ITEM REVISION NAME		CUSTOMER DRAWING		
DATASET FILE NAME		D36089BG/02		
DATASET FILE NAME		D36089BG_DC_SDW/02B		
UNLESS OTHERWISE SPECIFIED, DIMENSIONAL TOLERANCES ARE: IN [mm]		MATERIAL:		
.X ± .XXX ± .XX ± .03 [.8]		PVC		
ANGLES ±		DRAWING NUMBER:		
THIRD ANGLE PROJECTION		36089-07		
DRAWN BY	DATE	CHK	SCALE	SIZE
DW	07-23-97	HIW	NONE	A

REV	DATE	BY	CHK	APR	DESCRIPTION	ECN
3	03-01-13	JBN	RTFI	RTFI	D. UPDATED DRAWING BORDER & TITLE BLOCK	36089-07

D10100DA/14